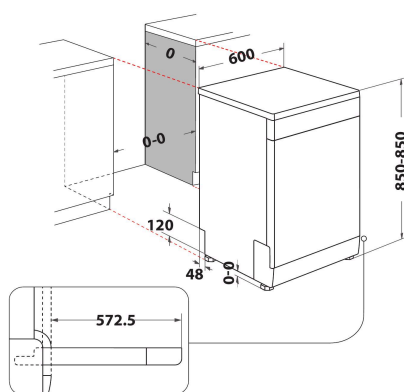
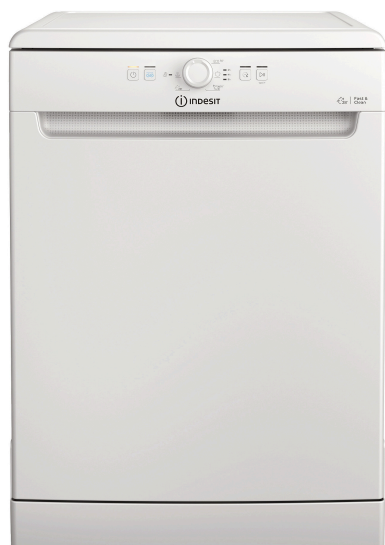


# DFE 1B19 13

12NC: 869991589380

GTIN (EAN) code: 8050147589380

 **INDESIT**  
Life proof.



## MAIN FEATURES

Construction type	Volne stojaca
Installation type	Volne stojaca
Type of control	Electronic
Type of control settings	-
Removable work top	Áno
Main colour of product	White
Electrical connection rating (W)	1900
Current (A)	10
Voltage (V)	220-230
Frequency (Hz)	50
Length of Electrical Supply Cord (cm)	130
Plug type	Schuko
Length inlet hose (cm)	155
Length outlet hose (cm)	150
Adjustable feet	Yes - all
Height of the product	850
Width of the product	600
Depth of the product	590
Minimum niche height	0
Maximum niche height	0
Minimum niche width	0
Maximum niche width	0
Niche depth	590
Net weight (kg)	43.1
Gross weight (kg)	44.9

## TECHNICAL FEATURES

Automatic programmes	Áno
Maximum temperature for water intake (°C)	0
Start delay options	One time fixed
Start delay time max. (h)	8
Progress indicator	-
change to:	Nie
Salt light indicator	Áno
Rinse aid light indicator	Nie
Safety device	Áno
Adjustable upper basket	Áno
Largest loadable dish upper basket (cm)	0
Largest loadable dish lower basket (cm)	0
Maximum number of place settings (EU 2017/1369)	13
Column installation	Nie

## ENERGETICKÝ ŠTÍTK

Energy Efficiency Class (Regulation (EU) 2017/1369)	F
Energy Consumption for 100 cycles Eco Programme (EU 2017/1369)	104
Power consumption in standby mode (Psm) (EU 2017/1369)	0,50
Power consumption in off-mode (Po) (EU 2017/1369)	0,00
The water consumption of the eco programme in liters per cycle (EU 2017/1369)	12,0
Airborne acoustical noise emissions (EU 2017/1369)	49
Airborne acoustical noise emission class (EU 2017/1369)	C
Programme duration in HMM (EU 2017/1369)	3:20