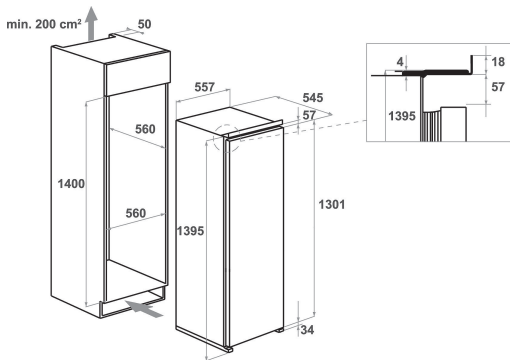


KCBNS 14600.1 (UK)

12NC: 859991555080

GTIN (EAN) code: 8003437042645

KitchenAid



MAIN FEATURES

| | |
|---------------------------------------|--------------------|
| Product group | Refrigerator |
| Commercial code | KCBNS 14600.1 (UK) |
| GTIN (EAN) code | 8003437042645 |
| Construction type | Built-in |
| Installation type | Full-integrated |
| Type of control | Electronic |
| Type of control settings | 7 segments |
| Main colour of product | White |
| Electrical connection rating (W) | 120 |
| Current (A) | 13 |
| Voltage (V) | 220-240 |
| Frequency (Hz) | 50 |
| Length of Electrical Supply Cord (cm) | 200 |
| Plug type | UK |
| Total unit net capacity (l) | 241 |
| Star Rating | Automatic |
| Number of independent cooling systems | 1 |
| Height of the product | 1395 |
| Width of the product | 557 |
| Depth of the product | 545 |
| Depth with open door 90 degree (mm) | - |
| Maximum adjustability feet | 0 |
| Net weight (kg) | 45 |
| Door hinge | Right reversible |

TECHNICAL FEATURES

| | |
|--|-------------------------|
| Temperature adjustable | Yes |
| Warning signal / Malfunction | Both visual and audible |
| Defrost process fridge section | Automatic |
| Fast cooling possibility | Yes |
| Interior ventilator fridge section | Yes |
| Shelves for Bottles | Yes |
| Lockable door | - |
| Number of shelves in fridge compartment | 6 |
| Number of Adjustable Shelves in fridge compartment | 4 |
| Material of the shelves | Glass |
| Thermometer fridge section | None |

PERFORMANCES

| | |
|--|------|
| Energy efficiency class - NEW (2010/30/EU) | A++ |
| Energy consumption annual (kWh/annum) - NEW (2010/30/EU) | 107 |
| Refrigerator Net capacity (l) - NEW (2010/30/EU) | 241 |
| Freezer Net capacity (l) - NEW (2010/30/EU) | 0 |
| Freezing capacity (kg/24h) - NEW (2010/30/EU) | 0 |
| Temperature rise time (h) | 0 |
| Climate class | SN-T |
| Noise level (dB(A) re 1 pW) | 35 |
| Frost free system | No |
| Maximum ambient temperature | 43 |
| Minimum ambient temperature | 10 |