

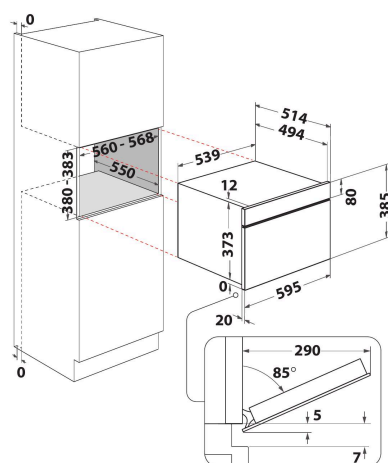
W9 MD260 BSSUK

12NC: 859991669990

GTIN (EAN) code: 8003437396885

Whirlpool

SENSING THE DIFFERENCE



- 6thSense Live
- 6TH Sense technology
- 6TH Sense CRISP Function with CRISP Plate
- 6th Sense Reheat
- 6th Sense Defrost
- Crisp Function
- Cavity 31 L
- Jet Start: rapid food reheating
- Jet Defrost: fast reheating
- *ForcedAir*
- Steam function
- Steam&Boil (Built-in)
- CrispFry
- Bread Defrost function
- 1000 W microwave
- 32,5 cm turntable
- Maximum dish diameter: 315 mm

Whirlpool built in microwave oven - W9 MD260 BSSUK

This Whirlpool built in Microwave Oven features: outstanding cavity size. Combination technology, providing the cooking flexibility of traditional ovens. Exclusive 6th SENSE technology, that automatically sets the time, temperature and energy consumption, during cooking. Crisp function, for unbeatably crisp quiches, pizzas and pies. Jet Defrost function for exceptionally fast and even defrosting.



Steam

Healthy, steamed meals, anytime. Steam technology provides the healthiest, tastiest recipes, at the touch of a button.



JetDefrost

Fast defrosting. Use the unique JetDefrost 3D system to defrost food effectively and with ease in your microwave oven.



Pasta & Rice (Steamer=steamer square)

Effortless steam cooking. This Whirlpool Microwave features a steamer vessel allowing you to enjoy outstanding steamed pasta, rice or vegetables, whenever you like.



6th Sense Live App

Intuitive assistance from the 6thSenseLive App gives consumers step-by-step instructions, transforming routine recipes into microwaved masterpieces. It learns user preferences, and then suggests recipes and helpful hints to ensure every dish is cooked to perfection.



Jet Start

Outstanding reheating speed. The JetStart function boosts the heat inside the oven to the maximum for 30 seconds, providing the ideal temperature to reheat food with high water content such as clear soups or beverages.



6TH SENSE technology

Confident cooking. With 6TH SENSE technology, your microwave automatically sets the time, temperature and energy levels during the cooking process.



Crisp

Unbeatable crispness. This Whirlpool Microwave's Crisp function and dedicated pan ensures you can cook the crispiest pizza, pie or quiche, anytime.



Pasta & Rice

Effortless steam cooking. This Whirlpool Microwave features a steamer vessel allowing you to enjoy outstanding steamed pasta, rice or vegetables in minutes, effortlessly.

W9 MD260 BSSUK

12NC: 859991669990

GTIN (EAN) code: 8003437396885

Whirlpool

SENSING THE DIFFERENCE

MAIN FEATURES

Product group	Microwave
Commercial code	W9 MD260 BSSUK
Main colour of product	Black Steel
Type of micro-wave oven	MW-Combi
Construction type	Built-in
Type of control	Electronic
Type of control settings	LCD
Additional cooking method Grill	Yes
Crisp	Yes
Steam	Yes
Additional cooking method Fan cooking	Yes
Clock	Yes
Automatic programmes	Yes
Height of the product	385
Width of the product	595
Depth of the product	514
Minimum niche height	380
Minimum niche width	556
Niche depth	550
Net weight (kg)	27
Cavity capacity (l)	31
Turntable	Yes
Turntable diameter (mm)	325
Integrated Cleaning system	No

TECHNICAL FEATURES

Current (A)	10
Voltage (V)	230
Frequency (Hz)	50
Length of Electrical Supply Cord (cm)	135
Plug type	UK
Timer	Yes
Grill power (W)	800
Type of grill	Quartz
Cavity material	Stainless steel
Interior light	Yes
Additional cooking method Grill	Yes
Position of interior lights of the cavity	-
Maximum Air flow -	0
Minimum air flow -	0
Sound power at max. speed (2010/30/EU) -	0
Sound power at min. speed (2010/30/EU) -	0

PERFORMANCES

6th Sense / Dynamic Intelligence	6th Sense
Number of power levels	7
Maximum micro-wave power (W)	1000
Bread defrost	Yes
Jet defrost	Yes
Jet start	Yes
Energy efficiency class - NEW (2010/30/EU) -	-