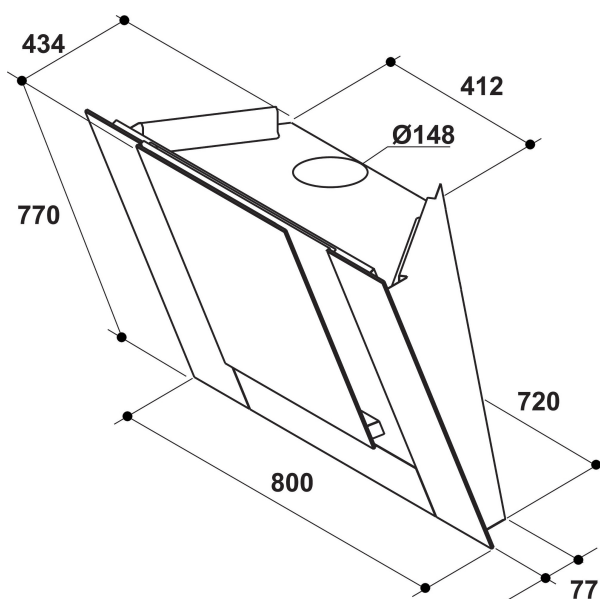


KEWVP 80010

12NC: 851351101000

GTIN (EAN) code 8003437220968

KitchenAid



MAIN FEATURES

Product group	Hood
Colour body	Inox
Material body	Stainless steel antifinger print
Colour chimney	N/A
Material chimney	N/A
Typology	Built-in/Built-under
Installation type	Free-standing
Type of control	Electronic
Type of control settings	-
Decor panel options	N/A
Motor location	Integrated motor in hood body
Operating Mode	Convertible
Electrical connection rating (W)	305
Current (A)	1,3
Voltage (V)	220-240
Frequency (Hz)	50
Length of Electrical Supply Cord (cm)	150
Plug type	Schuko
Chimney height (mm)	0
Height of product, without chimney (mm)	818
Height of the product	818
Width of the product	800
Depth of the product	434
Minimum niche height	0
Minimum niche width	0
Niche depth	0
Net weight (kg)	31.8

TECHNICAL FEATURES

Type of manual control devices	Touch control
Type of automatic control devices	-
Number of motors	1
Total power of the motors (W)	300
Number of speed settings: boost option availability	6
Boost presence	Yes
Maximum output air extraction (m ³ /h)	801
Boost position air extraction (m ³ /h)	801
Maximum output recirculating air (m ³ /h)	480
Boost position output recirculating (m ³ /h)	480
Light Control Type	On/Off
Number of lights	2
Type of lamps used	LED
Total power of the lamps (W)	5
Diameter of air outlet (mm)	150
No-return airflow flap	No
Grease filter material	Washable aluminium
Odour filter	Yes

PERFORMANCES

Sound power at min. speed (2010/30/EU)	42
Sound power at max. speed (2010/30/EU)	64
Noise level with boost position (dB(A) re 1 pW)	0