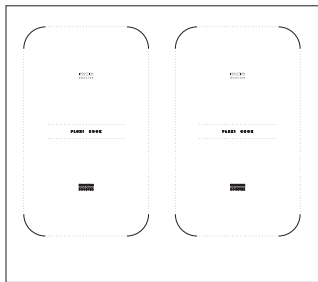
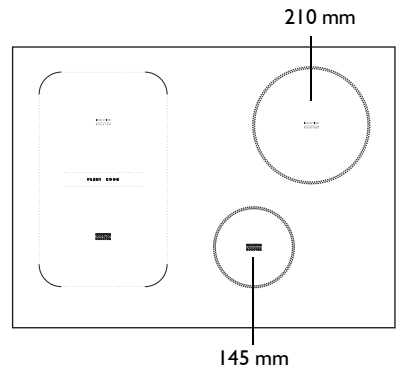
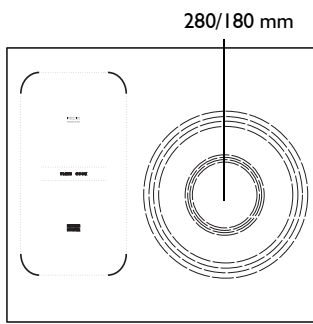
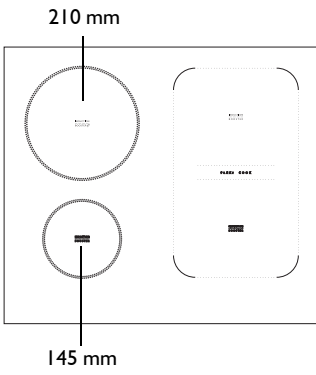
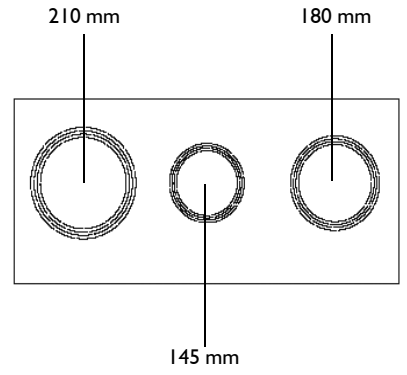
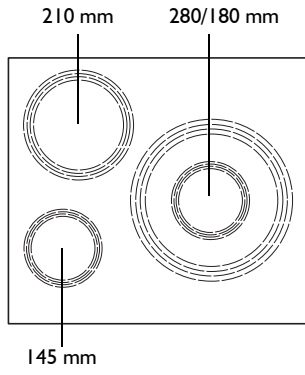
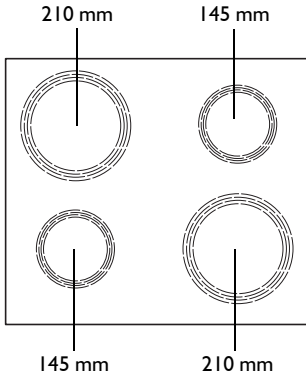
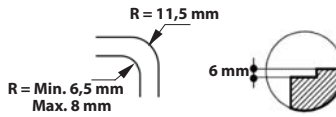
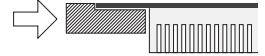
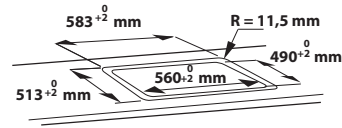
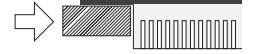
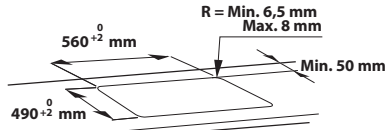
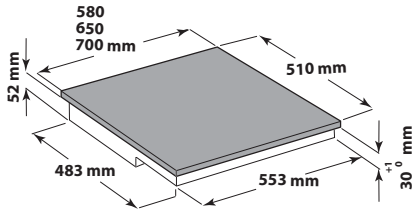
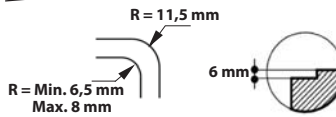
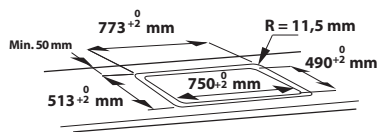
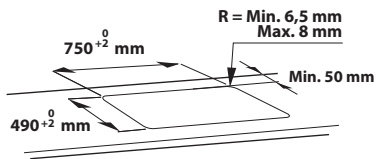
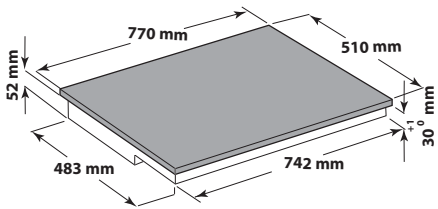




SENSING THE DIFFERENCE



**A****B****C**