

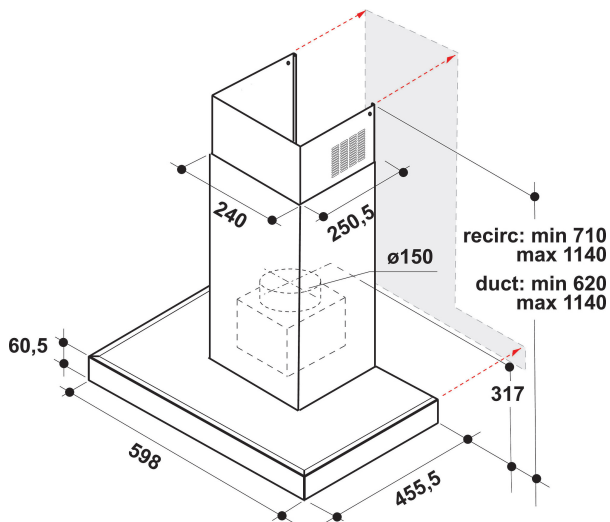
# WHBS 62F LT K

12NC: 859991542390

GTIN (EAN) code: 8003437231070

**Whirlpool**

SENSING THE DIFFERENCE



## MAIN FEATURES

Product group	Hood
Colour body	Black
Material body	Aluminium
Colour chimney	Inox
Material chimney	Aluminium
Typology	Wall-mounted
Installation type	Wall-mounted
Type of control	Electronic
Type of control settings	-
Decor panel options	Not possible
Motor location	Integrated motor in hood body
Operating Mode	Convertible
Electrical connection rating (W)	277
Current (A)	1,2
Voltage (V)	220-240
Frequency (Hz)	50
Length of Electrical Supply Cord (cm)	150
Plug type	Schuko
Chimney height (mm)	580
Height of product, without chimney (mm)	300
Height of the product	1140
Width of the product	598
Depth of the product	455
Minimum niche height	0
Minimum niche width	0
Niche depth	0
Net weight (kg)	13.7

## TECHNICAL FEATURES

Type of manual control devices	Touch control
Type of automatic control devices	-
Number of motors	1
Total power of the motors (W)	270
Number of speed settings: boost option availability	7
Boost presence	Yes
Maximum output air extraction (m <sup>3</sup> /h)	464
Boost position air extraction (m <sup>3</sup> /h)	750
Maximum output recirculating air (m <sup>3</sup> /h)	356
Boost position output recirculating (m <sup>3</sup> /h)	386
Light Control Type	On/Off
Number of lights	1
Type of lamps used	LED
Total power of the lamps (W)	7
Diameter of air outlet (mm)	150
No-return airflow flap	No
Grease filter material	Washable aluminium
Odour filter	Yes

## ENERGY LABEL

Sound power at min. speed (2010/30/EU)	38
Sound power at max. speed (2010/30/EU)	62
Noise level with boost position (dB(A) re 1 pW)	58