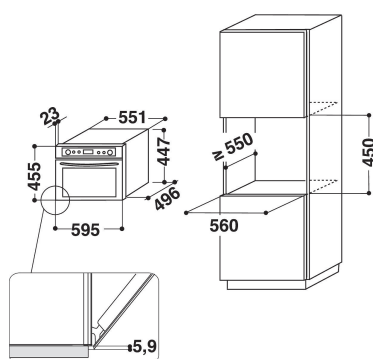


# KOSCX 45600

12NC: 851344601900

GTIN (EAN) code 8003437395093

**KitchenAid**



## MAIN FEATURES

Product group	Steam-Oven
Commercial code	KOSCX 45600
Main colour of product	Inox
Construction type	Built-in
Type of control	Electronic
Type of control settings	LCD
Type of control devices	Protruding knobs + buttons
Cooking method of the cavity	Pure steam
Forced air	No
Forced air plus steam	No
Reheat	Yes
Defrosting	Yes
Connectivity	No
Sous vide	Yes
Current (A)	10
Voltage (V)	230
Frequency (Hz)	50
Length of Electrical Supply Cord (cm)	125
Plug type	No
Cooking levels	3
Height of the product	455
Width of the product	595
Depth of the product	537
Minimum niche height	460
Minimum niche width	568
Niche depth	550
Net weight (kg)	31
Usable volume (of cavity)	29
Water tank volume	2
6th Sense / Dynamic Intelligence	No
Grids of the cavity	1
Trays	1
Steam tray	Yes

## TECHNICAL FEATURES

Number of glasses in door	Triple
Time control	Electronic
Location steam generator	Outside cavity
Safety device	-
Number of interior lights of the cavity	1
Surface treatment	-
Oven guides of the cavity	-
Meat probe	Yes

## PERFORMANCES

Adjustable Temperature (°C)	40°C - 100°C
Electrical connection rating (W)	1450
Energy efficiency class	N/A
Energy consumption convection (kWh)	0
FA power (W)	0