

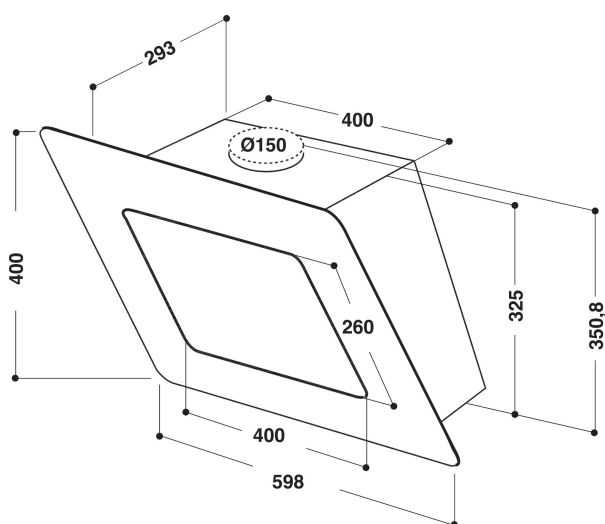
# AKR 036 G BL

12NC: 857803601000

GTIN (EAN) code: 8003437219351

**Whirlpool**

SENSING THE DIFFERENCE



## MAIN FEATURES

Product group	Napa
Colour body	Crna
Material body	Metal / glass
Colour chimney	Crna
Material chimney	Metal
Typology	Manual
Installation type	Samostojeći
Type of control	Electronic
Type of control settings	-
Decor panel options	-
Motor location	Integrated motor in hood body
Operating Mode	Convertible
Electrical connection rating (W)	210
Current (A)	0,9
Voltage (V)	220-240
Frequency (Hz)	50/60
Length of Electrical Supply Cord (cm)	150
Plug type	Schuko
Chimney height (mm)	370-700
Height of product, without chimney (mm)	325
Height of the product	381
Width of the product	595
Depth of the product	0
Minimum niche height	0
Minimum niche width	0
Niche depth	0
Net weight (kg)	12

## TECHNICAL FEATURES

Type of manual control devices	LCD touch control
Type of automatic control devices	-
Number of motors	1
Total power of the motors (W)	170
Number of speed settings: boost option availability	3
Boost presence	Ne
Maximum output air extraction (m <sup>3</sup> /h)	400
Boost position air extraction (m <sup>3</sup> /h)	0
Maximum output recirculating air (m <sup>3</sup> /h)	301
Boost position output recirculating (m <sup>3</sup> /h)	0
Light Control Type	On/Off
Number of lights	2
Type of lamps used	Halogen
Total power of the lamps (W)	40
Diameter of air outlet (mm)	150
No-return airflow flap	Ne
Grease filter material	Washable aluminium
Odour filter	Ne

## ENERGY LABEL

Sound power at min. speed (2010/30/EU)	48
Sound power at max. speed (2010/30/EU)	60
Noise level with boost position (dB(A) re 1 pW)	0