

Instructions for use

WASHING MACHINE

GB

GB

English,1

I

Italiano,13

DE

Deutsch,25

RO

Română,37

NL

Nederlands,49

WIN 121

Contents

Installation, 2-3

Unpacking and levelling
Electric and water connections
The first wash cycle
Technical details

Washing machine description, 4-5

Control panel
Leds

Starting and Programmes, 6

Briefly: how to start a programme
Programme table

Personalisations, 7

Setting the temperature
Functions

Detergents and laundry, 8

Detergent dispenser
Preparing your laundry
Special items

Precautions and advice, 9

General safety
Disposal
Saving energy and respecting the environment

Care and maintenance, 10

Cutting off the water or electricity supply
Cleaning your appliance
Cleaning the detergent dispenser
Caring for your appliance door and drum
Cleaning the pump
Checking the water inlet hose

Troubleshooting, 11

Service, 12

Before calling for Assistance

Installation

GB

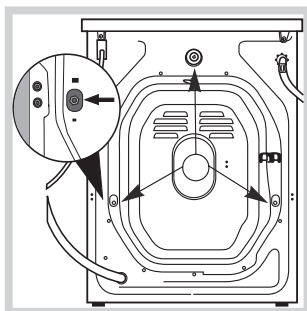
! Keep this instruction manual in a safe place for future reference. Should the appliance be sold, transferred or moved, make sure the instruction manual accompanies the washing machine to inform the new owner as to its operation and features.

! Read these instructions carefully: they contain vital information on installation, use and safety.

Unpacking and levelling

Unpacking

1. Unpack the washing machine.
2. Check whether the washing machine has been damaged during transport. If this is the case, do not install it and contact your retailer.



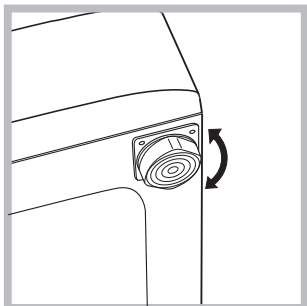
3. Remove the 3 protective screws and the rubber washer with the respective spacer, situated on the rear of the appliance (see figure).

4. Seal the gaps using the plastic plugs provided.
5. Keep all the parts: you will need them again if the washing machine needs to be moved to another location.

! Packaging materials are not children's toys.

Levelling

1. Install the washing machine on a flat sturdy floor, without resting it up against walls, furniture cabinets or other.

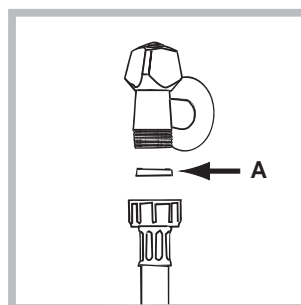


2. If the floor is not perfectly level, compensate for any unevenness by tightening or loosening the adjustable front feet (see figure); the angle of inclination, measured according to the worktop, must not exceed 2°.

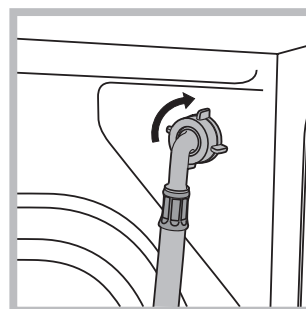
Levelling your appliance correctly will provide it with stability and avoid any vibrations, noise and shifting during operation. If it is placed on a fitted or loose carpet, adjust the feet in such a way as to allow enough room for ventilation beneath the washing machine.

Electric and water connections

Connecting the water inlet hose



1. Insert seal A into the end of the inlet hose and screw the latter onto a cold water tap with a 3/4 gas threaded mouth (see figure). Before making the connection, allow the water to run freely until it is perfectly clear.



2. Connect the other end of the water inlet hose to the washing machine, screwing it onto the appliance's cold water inlet, situated on the top right-hand side on the rear of the appliance (see figure).

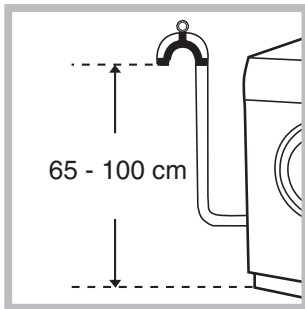
3. Make sure there are no kinks or bends in the hose.

! The water pressure at the tap must be within the values indicated in the Technical details table (on the next page).

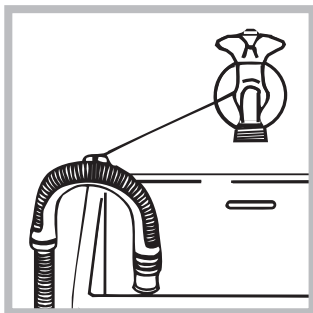
! If the water inlet hose is not long enough, contact a specialist store or an authorised serviceman.

! Never use hoses that have already been used.

Connecting the drain hose



Connect the drain hose, without bending it, to a draining duct or a wall drain situated between 65 and 100 cm from the floor;



alternatively, place it over the edge of a basin, sink or tub, fastening the duct supplied to the tap (see figure). The free end of the hose should not be underwater.

! We advise against the use of hose extensions; in case of absolute need, the extension must have the same diameter as the original hose and must not exceed 150 cm in length.

Electric connection

Before plugging the appliance into the mains socket, make sure that:

- the socket is earthed and in compliance with the applicable law;
- the socket is able to sustain the appliance's maximum power load indicated in the Technical details table (*on the right*);
- the supply voltage is included within the values indicated on the Technical details table (*on the right*);
- the socket is compatible with the washing machine's plug. If this is not the case, replace the socket or the plug.

! The washing machine should not be installed in an outdoor environment, not even when the area is sheltered, because it may be very dangerous to leave it exposed to rain and thunderstorms.

! When the washing machine is installed, the mains socket must be within easy reach.

! Do not use extensions or multiple sockets.

! The power supply cable must never be bent or dangerously compressed.

! The power supply cable must only be replaced by an authorised serviceman.

Warning! The company denies all liability if and when these norms are not respected.

The first wash cycle

Once the appliance has been installed, and before you use it for the first time, run a wash cycle with detergent and no laundry, setting the 90°C programme without a pre-wash cycle.

Technical details

Model	WIN 121
Dimensions	59.5 cm wide 85 cm high 52,5 cm deep
Capacity	from 1 to 5 kg
Electric connections	please refer to the technical data plate fixed to the machine
Water connections	maximum pressure 1 MPa (10 bar) minimum pressure 0.05 MPa (0.5 bar) drum capacity 46 litres
Spin speed	up to 1200 rpm
Control programmes according to EN 60456 directive	programme 3; temperature 60°C; run with a load of 5 kg.



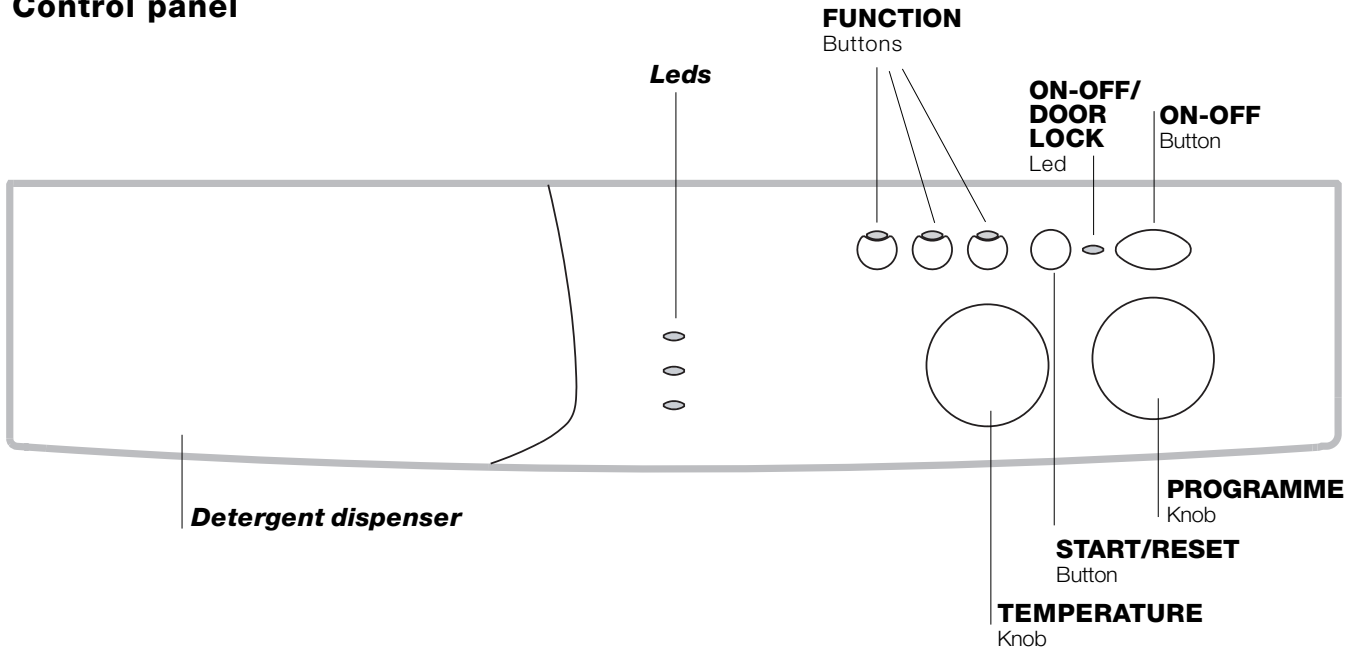
This appliance is compliant with the following European Community Directives:

- 89/336/CEE of 03/05/89 (Electromagnetic Compatibility) and subsequent amendments
- 2002/96/CE
- 2006/95/CE (Low Voltage)

Washing machine description

GB

Control panel



Detergent dispenser: to add detergent and fabric softener (see page 8).

LEDS: to find out which wash cycle phase is under way.

FUNCTION buttons: to select the functions available. The button corresponding to the function selected will remain on.

TEMPERATURE knob: to set the temperature or the cold wash cycle (see page 7).

START/RESET button: to start the programmes or cancel any incorrect settings.

ON-OFF/DOOR LOCK Led: to find out whether the washing machine is on and if the appliance door can be opened (see page 5).

ON/OFF button: to turn the washing machine on and off.

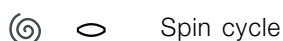
PROGRAMME knob: to select the wash programmes. The knob stays still during the cycle.

Leds

The LEDS provide important information.
This is what they can tell you:

Cycle phase under way:

During the wash cycle, the LEDs gradually illuminate on to indicate the cycle phase under way:



Note: during draining, the LED corresponding to the Spin cycle phase will be turned on.

Function buttons

The FUNCTION BUTTONS also act like LEDS.
When a function is selected, the corresponding button is illuminated.

If the function selected is incompatible with the programme set, the button will flash and the function will not be enabled.

If you set a function that is incompatible with another function you selected previously, only the last one selected will be enabled.

ON-OFF/DOOR LOCK led


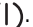
If this LED is on, the appliance door is locked to prevent it from being opened accidentally; to avoid any damages, wait for the LED to flash before you open the appliance door.

! The rapid flashing of the ON-OFF/DOOR LOCK Led together with the flashing of at least one other LED indicates there is an abnormality (see page 11).






Starting and Programmes

GB

Briefly: starting a programme

- Switch the washing machine on by pressing button . All the LEDs will light up for a few seconds and the ON-OFF/DOOR LOCK Led will begin to flash.
- Load your laundry into the washing machine and shut the appliance door.
- Set the PROGRAMME knob to the programme required.
- Set the wash temperature (see page 7).
- Add the detergent and any fabric softener (see page 8).
- Start the programme by pressing the START/RESET button.
To cancel it, keep the START/RESET button pressed for at least 2 seconds.
- When the programme is finished, the ON-OFF/DOOR LOCK Led will flash to indicate that the appliance door can be opened. Take out your laundry and leave the appliance door ajar to allow the drum to dry thoroughly. Turn the washing machine off by pressing button .

Programme table

Type of fabric and degree of soil	Programmes	Wash temperat.	Detergent		Fabric softener	Cycle length (minutes)	Description of wash cycle
			Pre-wash	Wash			
Cotton							
Extremely soiled whites (sheets, tablecloths, etc.)	1	90°C	•	•	•	167	Pre-wash, wash cycle, rinse cycles, intermediate and final spin cycles
Extremely soiled whites (sheets, tablecloths, etc.)	2	90°C		•	•	152	Wash cycle, rinse cycles, intermediate and final spin cycles
Heavily soiled whites and fast colours	3	60°C		•	•	158	Wash cycle, rinse cycles, intermediate and final spin cycles
Heavily soiled whites and delicate colours	3	40°C		•	•	143	Wash cycle, rinse cycles, intermediate and final spin cycles
Slightly soiled whites and delicate colours (shirts, jumpers, etc.)	4	40°C		•	•	99	Wash cycle, rinse cycles, intermediate and final spin cycles
Slightly soiled delicate colours	5	30°C		•	•	92	Wash cycle, rinse cycles, intermediate and final spin cycles
Synthetics							
Heavily soiled fast colours (baby linen, etc.)	6	60°C		•	•	80	Wash cycle, rinse cycles, anti-crease or delicate spin cycle
Fast colours (all types of slightly soiled garments)	6	40°C		•	•	71	Wash cycle, rinse cycles, anti-crease or delicate spin cycle
Heavily soiled fast colours (baby linen, etc.)	7	50°C		•	•	75	Wash cycle, rinse cycles, anti-crease or delicate spin cycle
Delicate colours (all types of slightly soiled garments)	8	40°C		•	•	71	Wash cycle, rinse cycles, anti-crease or delicate spin cycle
Delicate colours (all types of slightly soiled garments)	9	30°C		•	•	30	Wash cycle, rinse cycles and delicate spin cycle
Delicates							
Wool	10	40°C		•	•	50	Wash cycle, rinse cycles and delicate spin cycle
Very delicate fabrics (curtains, silk, viscose, etc.)	11	30°C		•	•	52	Wash cycle, rinse cycles, anti-crease or draining cycle
PARTIAL PROGRAMMES							
Rinse					•		Rinse cycles and spin cycle
Light rinse cycle					•		Rinse cycles, anti-crease or draining
Spin cycle							Draining and heavy duty spin cycle
Light spin cycle							Draining and delicate spin cycle
Drain							Draining

Notes

For the anti-crease function, please see page 7. The information contained in the table is purely indicative.

Special programme

Daily (programme 9 for Synthetics) is designed to wash lightly soiled garments in a short amount of time: it only lasts 30 minutes and allows you to save on both time and energy. By setting this programme (9 at 30°C), you can wash different fabrics together (except for woollen and silk items), with a maximum load of 3 kg.

We recommend the use of liquid detergent.

Setting the temperature

Turn the TEMPERATURE knob to set the wash temperature (see *Programme table on page 6*).
The temperature can be lowered, or even set to a cold wash (❄).



GB

Functions

To enable a function:

1. press the button corresponding to the desired function, according to the table below;
2. the function is enabled when the corresponding button is illuminated.

Note: The rapid flashing of the button indicates that the corresponding function cannot be selected for the programme set.

Function	Effect	Comments	Enabled with programmes:
 Rapid	Cuts the duration of the wash cycle by 30%.		1, 2, 3, 4, 5, 6, 7, 8
 Extra Rinse	Increases the efficiency of the rinse.	Recommended when the appliance has a full load or with large quantities of detergent.	1, 2, 3, 4, 5, 6, 7, 8, and Rinse cycles.
1200-600	Reduces the spin speed.		All programmes except for 11 and draining.

Anti-crease

This function interrupts the wash programme, and the washing is left to soak in water before the appliance is drained. It is enabled in programmes 6 - 7 - 8 - 11 and Delicate rinse cycle.

To conclude the cycle, press the START/RESET button.

To run the draining cycle alone, set the knob to the relative symbol  and press the START/RESET button.

Note: to avoid excessive vibrations, before every spin cycle the machine distributes the load in a uniform manner by continuously rotating the drum at a speed which is slightly faster than the normal washing speed.

When, despite repeated attempts, the load is still not evenly distributed, the machine spins at a lower speed than the set frequency.

If the load is excessively unbalanced, the machine attempts to distribute it instead of spinning.

The balancing attempts may extend the total duration of the cycle, up to a maximum of 10 minutes.

Detergents and laundry

GB

Detergent dispenser

Good washing results also depend on the correct dose of detergent: adding too much detergent won't necessarily make for a more efficient wash, and may in fact cause build up on the interior of your appliance and even pollute the environment.



Open up the detergent dispenser and pour in the detergent and fabric softener, as follows.

compartment 1: Detergent for pre-wash (powder)

compartment 2: Detergent for the wash cycle (powder or liquid)

Liquid detergent should only be poured in immediately prior to the wash cycle start.

compartment 3: Additives (fabric softeners, etc.)

The fabric softener should not overflow from the grid.

! Do not use hand wash detergent because it may form too much foam.

Preparing your laundry

- Divide your laundry according to:
 - the type of fabric/the symbol on the label.
 - the colours: separate coloured garments from whites.
- Empty all pockets and check for loose buttons.
- Do not exceed the weight limits stated below, which refer to the weight when dry:
 - Sturdy fabrics: max 5 kg
 - Synthetic fabrics: max 2.5 kg
 - Delicate fabrics: max 2 kg
 - Wool: max 1 kg

How much does your laundry weigh?

- 1 sheet 400-500 g
- 1 pillow case 150-200 g
- 1 tablecloth 400-500 g
- 1 bathrobe 900-1200 g
- 1 towel 150-250 g

Special items

Curtains: fold curtains and place them in a pillow case or mesh bag. Wash them separately without exceeding half the appliance load. Use programme 11 which excludes the spin cycle automatically.

Quilted coats and windbreakers: if they are padded with goose or duck down, they can be machine-washed. Turn the garments inside out and load a maximum of 2-3 kg, repeating the rinse cycle once or twice and using the delicate spin cycle.

Wool: for best results, use a specific detergent, taking care not to exceed a load of 1 kg.

! The washing machine was designed and built in compliance with the applicable international safety regulations. The following information is provided for your safety and should consequently be read carefully.

General safety

- This appliance has been designed for non-professional, household use and its functions must not be changed.
- This washing machine should only be used by adults and in accordance with the instructions provided in this manual.
- Never touch the washing machine when barefoot or with wet or damp hands or feet.
- Do not pull on the power supply cable to unplug the appliance from the electricity socket. Pull the plug out yourself.
- Do not open the detergent dispenser while the appliance is in operation.
- Do not touch the drain water as it could reach very high temperatures.
- Never force the washing machine door: this could damage the safety lock mechanism designed to prevent any accidental openings.
- In the event of a malfunction, do not under any circumstances touch internal parts in order to attempt repairs.
- Always keep children well away from the appliance while in operation.
- The appliance door tends to get quite hot during the wash cycle.
- Should it have to be moved, proceed with the help of two or three people and handle it with the utmost care. Never try to do this alone, because the appliance is very heavy.
- Before loading your laundry into the washing machine, make sure the drum is empty.

Disposal

- Disposing of the packaging material: observe local regulations, so the packaging can be re-used.
- The European Directive 2002/96/EC on Waste Electrical and Electronic Equipment, requires that old household electrical appliances must not be disposed of in the normal unsorted municipal waste stream. Old appliances must be collected separately in order to optimise the recovery and recycling of the materials they contain and reduce the impact on human health and the environment.

The crossed out "wheeled bin" symbol on the product reminds you of your obligation, that when you dispose of the appliance it must be separately collected.

Consumers should contact their local authority or retailer for information concerning the correct disposal of their old appliance.

Saving energy and respecting the environment

Environmentally-friendly technology

If you only see a little water through your appliance door, this is because thanks to the latest Indesit technology, your washing machine only needs less than half the amount of water to get the best results: an objective reached to respect the environment.

Saving on detergent, water, energy and time

- To avoid wasting resources, the washing machine should be used with a full load. A full load instead of two half loads allows you to save up to 50% on energy.
- The pre-wash cycle is only necessary on extremely soiled garments. Avoiding it will save on detergent, time, water and between 5 and 15% energy.
- Treating stains with a stain remover or leaving them to soak before washing will cut down the need to wash them at high temperatures. A programme at 60°C instead of 90°C or one at 40°C instead of 60°C will save up to 50% on energy.
- Use the correct quantity of detergent depending on the water hardness, how soiled the garments are and the amount of laundry you have, to avoid wastage and to protect the environment: despite being biodegradable, detergents do contain ingredients that alter the natural balance of the environment. In addition, avoid using fabric softener as much as possible.
- If you use your washing machine from late in the afternoon until the early hours of the morning, you will help reduce the electricity board's peak load.
- If your laundry has to be dried in a tumble dryer, select a high spin speed. Having the least water possible in your laundry will save you time and energy in the drying process.

Care and maintenance

GB

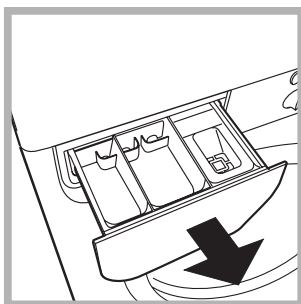
Cutting off the water or electricity supply

- Turn off the water tap after every wash. This will limit the wear of your appliance's water system and also prevent leaks.
- Unplug your appliance when cleaning it and during all maintenance operations.

Cleaning your appliance

The exterior and rubber parts of your appliance can be cleaned with a soft cloth soaked in lukewarm soapy water. Do not use solvents or abrasives.

Cleaning the detergent dispenser



Remove the dispenser by pulling it out (see figure). Wash it under running water; this operation should be repeated frequently.

Caring for your appliance door and drum

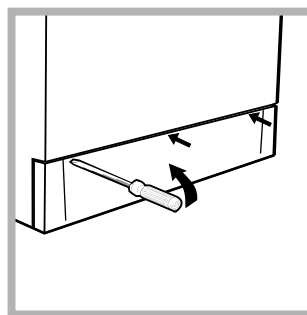
- Always leave the appliance door ajar to prevent unpleasant odours from forming.

Cleaning the pump

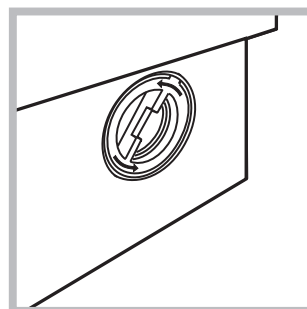
The washing machine is fitted with a self-cleaning pump that does not require any maintenance. Sometimes, small items (such as coins or buttons) may fall into the pre-chamber that protects the pump, situated in the lower part of the same.

! Make sure the wash cycle has ended and unplug the appliance.

To access the pre-chamber:



1. using a screwdriver, remove the cover panel on the lower front of the washing machine (see figure);



2. unscrew the lid rotating it anti-clockwise (see figure): a little water may trickle out. This is perfectly normal;

3. clean the interior thoroughly;
4. screw the lid back on;
5. reposition the panel, making sure the hooks are securely in place before you push it onto the appliance.

Checking the water inlet hose

Check the water inlet hose at least once a year. If you see any cracks, replace it immediately: during the wash cycles, water pressure is very strong and a cracked hose could easily split open.

! Never use hoses that have already been used.

Your washing machine could fail to work. Before calling for Assistance (see page 12), make sure the problem can't easily be solved by consulting the following list.


Problem

Possible causes/Solution:

The washing machine won't start.

- The appliance is not plugged into the socket, or not enough to make contact.
- There has been a power failure.

The wash cycle won't start.

- The appliance door is not shut properly.
- The  button has not been pressed.
- The START/RESET button has not been pressed.
- The water tap is not turned on.

The washing machine fails to load water.

- The water inlet hose is not connected to the tap.
- The hose is bent.
- The water tap is not turned on.
- There is a water shortage.
- The water pressure is insufficient.
- The START/RESET button has not been pressed.

The washing machine continuously loads and unloads water.

- The drain hose is not fitted between 65 and 100 cm from the floor (see page 3).
- The free end of the hose is underwater (see page 3).
- The wall drainage system doesn't have a breather pipe.

If the problem persists even after these checks, turn off the water tap, switch the appliance off and call for Assistance. If the dwelling is on one of the upper floors of a building, there may be drain trap problems causing the washing machine to load and unload water continuously. In order to avoid such an inconvenience, special anti-drain trap valves are available in shops.

The washing machine does not drain or spin.

- The programme does not foresee the draining: some programmes require enabling the draining manually (see page 6).
- The "Anti-crease" function is enabled: to complete the programme, press the START/RESET button (see page 7).
- The drain hose is bent (see page 3).
- The drain duct is clogged.

The washing machine vibrates too much during the spin cycle.

- The drum was not unblocked correctly during installation (see page 2).
- The washing machine is not level (see page 2).
- The washing machine is closed in between furniture cabinets and the wall (see page 2).

The washing machine leaks.

- The water inlet hose is not screwed on correctly (see page 2).
- The detergent dispenser is obstructed (to clean it, see page 10).
- The drain hose is not secured properly (see page 3).

The ON-OFF/DOOR LOCK Led flashes rapidly at the same time as at least one other LED.

- Switch off the machine and unplug the appliance; wait for approximately 1 minute then switch it on again. If the problem persists, contact Assistance.

There is too much foam.

- The detergent is not suitable for machine washing (it should bear the definition "for washing machines" or "hand and machine wash", or the like).
- You used too much detergent.

Service

GB

Before calling for Assistance:

- Check whether you can solve the problem on your own (*see page 11*);
- Restart the programme to check whether the problem has been solved;
- If this is not the case, contact an authorised Technical Service Centre on the telephone number provided on the guarantee certificate.

! Always request the assistance of authorised servicemen.

Notify the operator of:

- the type of problem;
- the appliance model (Mod.);
- the serial number (S/N).

This information can be found on the data plate situated on the rear of the washing machine.



Italiano

WIN 121

Sommario

Installazione, 14-15

Disimballo e livellamento
Collegamenti idraulici ed elettrici
Primo ciclo di lavaggio
Dati tecnici

Descrizione della lavabiancheria, 16-17

Pannello di controllo
Spie

Avvio e Programmi, 18

In breve: avviare un programma
Tabella dei programmi

Personalizzazioni, 19

Impostare la temperatura
Funzioni

Detersivi e biancheria, 20

Cassetto dei detersivi
Preparare la biancheria
Capi particolari

Precauzioni e consigli, 21

Sicurezza generale
Smaltimento
Risparmiare e rispettare l'ambiente

Manutenzione e cura, 22

Escludere acqua e corrente elettrica
Pulire la lavabiancheria
Pulire il cassetto dei detersivi
Curare oblò e cestello
Pulire la pompa
Controllare il tubo di alimentazione dell'acqua

Anomalie e rimedi, 23

Assistenza, 24

Installazione

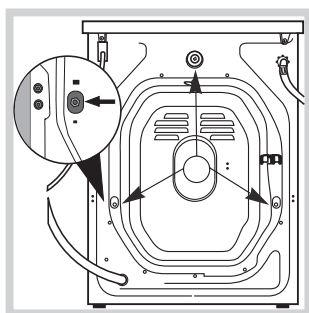
! È importante conservare questo libretto per poterlo consultare in ogni momento. In caso di vendita, di cessione o di trasloco, assicurarsi che resti insieme alla lavabiancheria per informare il nuovo proprietario sul funzionamento e sui relativi avvertimenti.

! Leggere attentamente le istruzioni: ci sono importanti informazioni sull'installazione, sull'uso e sulla sicurezza.

Disimballo e livellamento

Disimballo

1. Disimballare la lavabiancheria.
2. Controllare che la lavabiancheria non abbia subito danni nel trasporto. Se fosse danneggiata non collegarla e contattare il rivenditore.



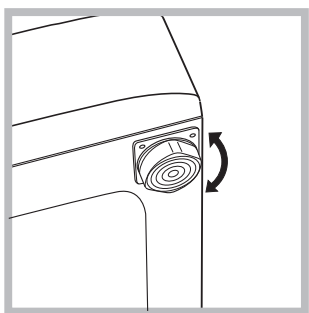
3. Rimuovere le 3 viti di protezione per il trasporto e il gommino con il relativo distanziale, posti nella parte posteriore (vedi figura).

4. Chiudere i fori con i tappi di plastica in dotazione.
5. Conservare tutti i pezzi: qualora la lavabiancheria debba essere trasportata, dovranno essere rimontati.

! Gli imballaggi non sono giocattoli per bambini.

Livellamento

1. Installare la lavabiancheria su un pavimento piano e rigido, senza appoggiarla a muri, mobili o altro.

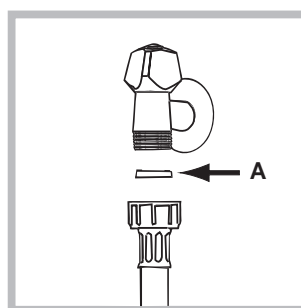


2. Se il pavimento non fosse perfettamente orizzontale, compensare le irregolarità svitando o avvitando i piedini anteriori (vedi figura); l'angolo di inclinazione, misurato sul piano di lavoro, non deve superare i 2°.

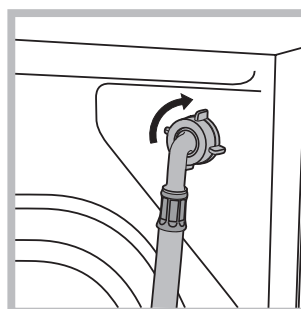
Un accurato livellamento dà stabilità alla macchina ed evita vibrazioni, rumori e spostamenti durante il funzionamento. In caso di moquette o di un tappeto, regolare i piedini in modo da conservare sotto la lavabiancheria uno spazio sufficiente per la ventilazione.

Collegamenti idraulici ed elettrici

Collegamento del tubo di alimentazione dell'acqua



1. Inserire la guarnizione A nell'estremità del tubo di alimentazione e avvitarlo a un rubinetto d'acqua fredda con bocca filettata da 3/4 gas (vedi figura). Prima di allacciare, far scorrere l'acqua finché non sia limpida.



2. Collegare il tubo di alimentazione alla lavabiancheria avvitandolo all'apposita presa d'acqua, nella parte posteriore in alto a destra (vedi figura).

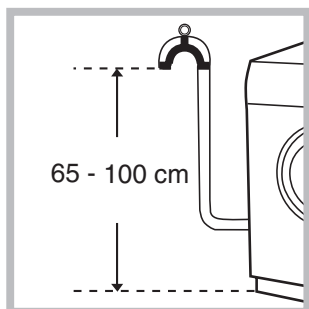
3. Fare attenzione che nel tubo non ci siano né pieghe né strozzature.

! La pressione idrica del rubinetto deve essere compresa nei valori della tabella Dati tecnici (vedi pagina a fianco).

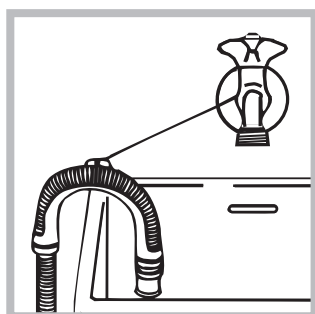
! Se la lunghezza del tubo di alimentazione non fosse sufficiente, rivolgersi a un negozio specializzato o a un tecnico autorizzato.

! Non utilizzare mai tubi già usati.

Collegamento del tubo di scarico



Collegare il tubo di scarico, senza piegarlo, a una conduttura di scarico o a uno scarico a muro posti tra 65 e 100 cm da terra;



oppure appoggiarlo al bordo di un lavandino o di una vasca, legando la guida in dotazione al rubinetto (*vedi figura*). L'estremità libera del tubo di scarico non deve rimanere immersa nell'acqua.

! È sconsigliato usare tubi di prolunga; se indispensabile, la prolunga deve avere lo stesso diametro del tubo originale e non superare i 150 cm.

Collegamento elettrico

Prima di inserire la spina nella presa della corrente, accertarsi che:

- la presa abbia la messa a terra e sia a norma di legge;
- la presa sia in grado di sopportare il carico massimo di potenza della macchina, indicato nella tabella Dati tecnici (*vedi a fianco*);
- la tensione di alimentazione sia compresa nei valori indicati nella tabella Dati tecnici (*vedi a fianco*);
- la presa sia compatibile con la spina della lavabiancheria. In caso contrario sostituire la presa o la spina.

! La lavabiancheria non va installata all'aperto, nemmeno se lo spazio è riparato, perché è molto pericoloso lasciarla esposta a pioggia e temporali.

! A lavabiancheria installata, la presa della corrente deve essere facilmente raggiungibile.

! Non usare prolunghe e multiple.

! Il cavo non deve subire piegature o compressioni.

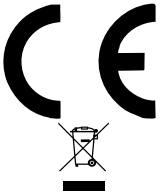
! Il cavo di alimentazione deve essere sostituito solo da tecnici autorizzati.

Attenzione! L'azienda declina ogni responsabilità qualora queste norme non vengano rispettate.

Primo ciclo di lavaggio

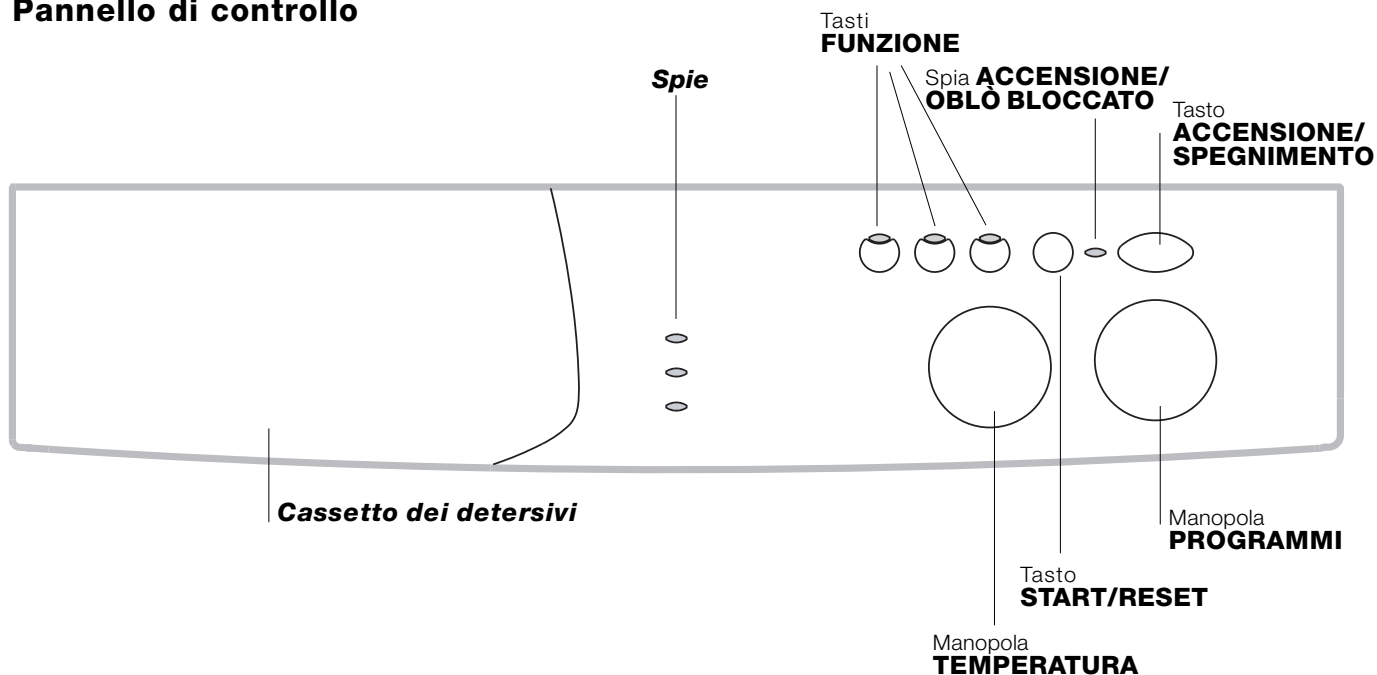
Dopo l'installazione, prima dell'uso, effettuare un ciclo di lavaggio con detersivo e senza biancheria impostando il programma a 90°C senza prelavaggio.

Dati tecnici

Modello	WIN 121
Dimensioni	larghezza cm 59,5 altezza cm 85 profondità cm 52,5
Capacità	da 1 a 5 kg
Collegamenti elettrici	vedi la targhetta caratteristiche tecniche applicata sulla macchina
Collegamenti idrici	pressione massima 1 MPa (10 bar) pressione minima 0,05 MPa (0,5 bar) capacità del cesto 46 litri
Velocità di centrifuga	sino a 1200 giri al minuto
Programmi di controllo secondo la norma EN 60456	programma 3; temperatura 60°C; effettuato con 5 kg di carico.
	Questa apparecchiatura è conforme alle seguenti Direttive Comunitarie: - 89/336/CEE del 03/05/89 (Compatibilità Elettromagnetica) e successive modificazioni - 2002/96/CE - 2006/95/CE (Bassa Tensione)

Descrizione della lavabiancheria

Pannello di controllo



Cassetto dei detersivi per caricare detersivi e additivi (vedi pag. 20).

Spie per seguire lo stato di avanzamento del programma di lavaggio.

Tasti **FUNZIONE** per selezionare le funzioni disponibili. Il tasto relativo alla funzione selezionata rimarrà acceso.

Manopola **TEMPERATURA** per impostare la temperatura o il lavaggio a freddo (vedi pag. 19).

Tasto **START/RESET** per avviare i programmi o annullare quanto erroneamente impostato.

Spia **ACCENSIONE/OBLÒ BLOCCATO** per capire se la lavabiancheria è accesa e se l'oblò è apribile (vedi pag. 17).

Tasto **ACCENSIONE/SPEGNIMENTO** per accendere e spegnere la lavabiancheria.

Manopola **PROGRAMMI** per impostare i programmi (vedi pag. 18).


Durante il programma la manopola resta ferma.

Spie

Le spie forniscono informazioni importanti.
Ecco che cosa dicono:

Fase in corso:

Durante il ciclo di lavaggio le spie si accenderanno progressivamente per indicarne lo stato di avanzamento:

  Lavaggio

  Risciacquo

  Centrifuga

Nota: durante la fase di scarico si illuminerà la spia relativa alla fase Centrifuga.

Tasti funzione

I TASTI FUNZIONE fungono anche da spie.
Selezionando una funzione il relativo tasto si illuminerà.
Se la funzione selezionata non è compatibile con il programma impostato il tasto lampeggerà e la funzione non verrà attivata.
Nel caso venga impostata una funzione incompatibile con un'altra precedentemente selezionata rimarrà attiva solo l'ultima scelta.

Spia ACCENSIONE/OBLÒ BLOCCATO

La spia accesa indica che l'oblò è bloccato per impedire aperture accidentali; per evitare danni è necessario attendere che la spia lampeggi prima di aprire l'oblò.

! Il lampeggio veloce della spia ACCENSIONE/OBLÒ BLOCCATO contemporaneo a quello di almeno un'altra spia segnala un'anomalia (vedi pag. 23).

Avvio e Programmi

In breve: avviare un programma








1. Accendere la lavabiancheria premendo il tasto . Tutte le spie si accenderanno per qualche secondo, poi si spengono e la spia ACCENSIONE/OBLÒ BLOCCATO inizierà a lampeggiare.
2. Caricare la biancheria e chiudere l'oblò.
3. Impostare con la manopola PROGRAMMI il programma desiderato.
4. Impostare la temperatura di lavaggio (vedi pag. 19).
5. Versare detersivo e additivi (vedi pag. 20).
6. Avviare il programma premendo il tasto START/RESET. Per annullare il ciclo impostato premere il tasto START/RESET per 2 secondi.
7. Al termine del programma la spia ACCENSIONE/OBLÒ BLOCCATO lampeggerà indicando che l'oblò è apribile. Estrarre la biancheria e lasciare l'oblò socchiuso per far asciugare il cestello. Spegnerne la lavabiancheria premendo il tasto .

Tabella dei programmi

Natura dei tessuti e dello sporco	Programmi	Temperatura	Detersivo		Ammorbidente	Durata del ciclo (minuti)	Descrizione del ciclo di lavaggio
			prelav.	lavag.			
Cotone							
Bianchi estremamente sporchi (lenzuola, tovaglie, ecc.)	1	90°C	•	•	•	167	Prelavaggio, lavaggio, risciacqui, centrifughe intermedie e finale
Bianchi estremamente sporchi (lenzuola, tovaglie, ecc.)	2	90°C		•	•	152	Lavaggio, risciacqui, centrifughe intermedie e finale
Bianchi e colorati resistenti molto sporchi	3	60°C		•	•	158	Lavaggio, risciacqui, centrifughe intermedie e finale
Bianchi e colorati delicati molto sporchi	3	40°C		•	•	143	Lavaggio, risciacqui, centrifughe intermedie e finale
Bianchi poco sporchi e colori delicati (camice, maglie, ecc.)	4	40°C		•	•	99	Lavaggio, risciacqui, centrifughe intermedie e finale
Colorati delicati poco sporchi	5	30°C		•	•	92	Lavaggio, risciacqui, centrifughe intermedie e finale
Sintetici							
Colori resistenti molto sporchi (biancheria per neonati, ecc.)	6	60°C		•	•	80	Lavaggio, risciacqui, anti piega o centrifuga delicata
Colori resistenti (biancheria di tutti i tipi leggermente sporca)	6	40°C		•	•	71	Lavaggio, risciacqui, anti piega o centrifuga delicata
Colori resistenti molto sporchi (biancheria per neonati, ecc.)	7	50°C		•	•	75	Lavaggio, risciacqui, anti piega o centrifuga delicata
Colori delicati (biancheria di tutti i tipi leggermente sporca)	8	40°C		•	•	71	Lavaggio, risciacqui, anti piega o centrifuga delicata
Colori delicati (biancheria di tutti i tipi leggermente sporca)	9	30°C		•	•	30	Lavaggio, risciacqui, e centrifuga delicata
Delicati							
Lana	10	40°C		•	•	50	Lavaggio, risciacqui e centrifuga delicata
Tessuti molto delicati (tende, seta, viscosa, ecc.)	11	30°C		•	•	52	Lavaggio, risciacqui, anti piega o scarico
PROGRAMMI PARZIALI							
Risciacquo					•		Risciacqui e centrifuga
Risciacquo delicato					•		Risciacqui, anti piega o scarico
Centrifuga							Scarico e centrifuga energica
Centrifuga delicata							Scarico e centrifuga delicata
Scarico							Scarico

Note

Per la descrizione della funzione Antipiega vedi pag. 19. I dati riportati nella tabella hanno valore indicativo.

Programma speciale

Refresh (programma 9 per Sintetici) è studiato per lavare capi leggermente sporchi in poco tempo: dura solo 30 minuti e fa così risparmiare energia e tempo. Impostando il programma (9 a 30°C) è possibile lavare insieme tessuti di diversa natura (esclusi lana e seta) con un carico massimo di 3 kg. *Si consiglia l'uso di detersivo liquido.*

Impostare la temperatura



Ruotando la manopola TEMPERATURA si imposta la temperatura di lavaggio (vedi Tabella dei programmi a pag. 18). La temperatura si può ridurre sino al lavaggio a freddo (❄).

Funzioni

Le varie funzioni di lavaggio previste dalla lavabiancheria permettono di ottenere la pulizia e il bianco desiderati. Per attivare le funzioni:

1. premere il tasto relativo alla funzione desiderata, secondo la tabella sottostante;
2. l'accensione del tasto relativo segnala che la funzione è attiva.


Nota: Il lampeggio veloce del tasto indica che la funzione relativa non è selezionabile per il programma impostato.

Funzioni	Effetto	Note per l'uso	Attiva con i programmi:
 Rapido	Riduce del 30% circa la durata del ciclo di lavaggio.		1, 2, 3, 4, 5, 6, 7, 8
 Extra Risciacquo	Aumenta l'efficacia del risciacquo.	E' consigliata con lavabiancheria a pieno carico o con dosi elevate di detersivo.	1, 2, 3, 4, 5, 6, 7, 8, Risciacqui.
1200-600	Riduce la velocità di centrifuga.		Tutti tranne 11 e Scarico.

Antipiega

Questa funzione interrompe il programma di lavaggio mantenendo la biancheria in ammollo nell'acqua prima dello scarico. È attiva nei programmi 6 - 7 - 8 - 11 e Risciacquo delicato.

Per completare il ciclo premere il tasto START/RESET.

Per effettuare solo lo scarico posizionare la manopola sul simbolo relativo  e premere il tasto START/RESET.

Nota: Per evitare vibrazioni eccessive prima di ogni centrifuga la macchina distribuisce il carico in modo uniforme, questo avviene effettuando delle rotazioni continue del cesto ad una velocità leggermente superiore a quella di lavaggio.

Quando nonostante ripetuti tentativi il carico non viene perfettamente distribuito, la macchina effettua la centrifuga ad una velocità inferiore a quella prevista.

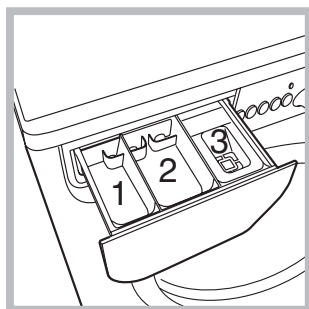
In presenza di eccessivo sbilanciamento la macchina effettua la distribuzione al posto della centrifuga.

Gli eventuali tentativi di bilanciamento possono allungare la durata totale del ciclo fino ad un massimo di 10 minuti.

Detersivi e biancheria

Cassetto dei detersivi

Il buon risultato del lavaggio dipende anche dal corretto dosaggio del detersivo: eccedendo non si lava in modo più efficace e si contribuisce a incrostare le parti interne della lavabiancheria e a inquinare l'ambiente.



Estrarre il cassetto dei detersivi e inserire il detersivo o l'additivo come segue.

vaschetta 1: Detersivo per prelavaggio (in polvere)

vaschetta 2: Detersivo per lavaggio (in polvere o liquido)

Il detersivo liquido va versato solo prima dell'avvio.

vaschetta 3: Additivi (ammorbidente, ecc.)

L'ammorbidente non deve fuoriuscire dalla griglia.

! Non usare detersivi per il lavaggio a mano, perché formano troppa schiuma.

Preparare la biancheria

- Suddividere la biancheria secondo:
 - il tipo di tessuto / il simbolo sull'etichetta.
 - i colori: separare i capi colorati da quelli bianchi.
- Vuotare le tasche e controllare i bottoni.
- Non superare i valori indicati, riferiti al peso della biancheria asciutta:
 - Tessuti resistenti: max 5 kg
 - Tessuti sintetici: max 2,5 kg
 - Tessuti delicati: max 2 kg
 - Lana: max 1 kg

Quanto pesa la biancheria?

- 1 lenzuolo 400-500 gr.
- 1 federa 150-200 gr.
- 1 tovaglia 400-500 gr.
- 1 accappatoio 900-1200 gr.
- 1 asciugamano 150-250 gr.

Capi particolari

Tende: piegarle e sistemarle dentro una federa o un sacchetto a rete. Lavarle da sole senza superare il mezzo carico. Utilizzare il programma 11 che esclude in automatico la centrifuga.

Piumini e giacche a vento: se l'imbottitura è d'oca o d'anatra si possono lavare nella lavabiancheria. Rivoltare i capi e fare un carico massimo di 2-3 kg, ripetendo il risciacquo una o due volte e utilizzando la centrifuga delicata.

Lana: per ottenere i migliori risultati utilizzare un detersivo specifico e non superare 1kg di carico.

! La lavabiancheria è stata progettata e costruita in conformità alle norme internazionali di sicurezza. Queste avvertenze sono fornite per ragioni di sicurezza e devono essere lette attentamente.

Sicurezza generale

- Questo apparecchio è stato concepito esclusivamente per un uso di tipo domestico.
- La lavabiancheria deve essere usata solo da persone adulte e secondo le istruzioni riportate in questo libretto.
- Non toccare la macchina a piedi nudi o con le mani o i piedi bagnati o umidi.
- Non staccare la spina dalla presa della corrente tirando il cavo, bensì afferrando la spina.
- Non aprire il cassetto dei detersivi mentre la macchina è in funzione.
- Non toccare l'acqua di scarico, che può raggiungere temperature elevate.
- Non forzare in nessun caso l'oblò: potrebbe danneggiarsi il meccanismo di sicurezza che protegge da aperture accidentali.
- In caso di guasto, in nessun caso accedere ai meccanismi interni per tentare una riparazione.
- Controllare sempre che i bambini non si avvicinino alla macchina in funzione.
- Durante il lavaggio l'oblò tende a scaldarsi.
- Se dev'essere spostata, lavorare in due o tre persone con la massima attenzione. Mai da soli perché la macchina è molto pesante.
- Prima di introdurre la biancheria controlla che il cestello sia vuoto.

Smaltimento

- Smaltimento del materiale di imballaggio: attenersi alle norme locali, così gli imballaggi potranno essere riutilizzati.
- La direttiva Europea 2002/96/CE sui rifiuti di apparecchiature elettriche ed elettroniche, prevede che gli elettrodomestici non debbano essere smaltiti nel normale flusso dei rifiuti solidi urbani. Gli apparecchi dismessi devono essere raccolti separatamente per ottimizzare il tasso di recupero e riciclaggio dei materiali che li compongono ed impedire potenziali danni per la salute e l'ambiente. Il simbolo del cestino barrato è riportato su tutti i prodotti per ricordare gli obblighi di raccolta separata.

Per ulteriori informazioni, sulla corretta dismissione degli elettrodomestici, i detentori potranno rivolgersi al servizio pubblico preposto o ai rivenditori.

Risparmiare e rispettare l'ambiente

Tecnologia a servizio dell'ambiente

Se nell'oblò si vede poca acqua è perché con la nuova tecnologia Indesit basta meno della metà dell'acqua per raggiungere il massimo pulito: uno scopo raggiunto per rispettare l'ambiente.

Risparmiare detersivo, acqua, energia e tempo

- Per non sprecare risorse bisogna utilizzare la lavabiancheria con il massimo carico. Un carico pieno al posto di due mezzi fa risparmiare fino al 50% di energia.
- Il prelavaggio è necessario solo per biancheria molto sporca. Evitarlo fa risparmiare detersivo, tempo, acqua e tra il 5 e il 15% di energia.
- Trattando le macchie con uno scioglimacchia o lasciandole in ammollo prima del lavaggio, si riduce la necessità di lavare ad alte temperature. Un programma a 60°C invece di 90°C o uno a 40°C invece di 60°C, fa risparmiare fino al 50% di energia.
- Dosare bene il detersivo in base alla durezza dell'acqua, al grado di sporco e alla quantità di biancheria evita sprechi e protegge l'ambiente: pur biodegradabili, i detersivi contengono elementi che alterano l'equilibrio della natura. Inoltre evitare il più possibile l'ammorbidente.
- Effettuando i lavaggi dal tardo pomeriggio fino alle prime ore del mattino si collabora a ridurre il carico di assorbimento delle aziende elettriche.
- Se il bucato deve essere asciugato in un asciugatore, selezionare un'alta velocità di centrifuga. Poca acqua nel bucato fa risparmiare tempo ed energia nel programma di asciugatura

Manutenzione e cura

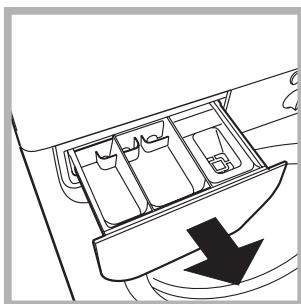
Escludere acqua e corrente elettrica

- Chiudere il rubinetto dell'acqua dopo ogni lavaggio. Si limita così l'usura dell'impianto idraulico della lavabiancheria e si elimina il pericolo di perdite.
- Staccare la spina della corrente quando si pulisce la lavabiancheria e durante i lavori di manutenzione.

Pulire la lavabiancheria

La parte esterna e le parti in gomma possono essere puliti con un panno imbevuto di acqua tiepida e sapone. Non usare solventi o abrasivi.

Pulire il cassetto dei detersivi



Sfilare il cassetto sollevandolo e tirandolo verso l'esterno (vedi figura). Lavarlo sotto l'acqua corrente; questa pulizia va effettuata frequentemente.

Curare oblò e cestello

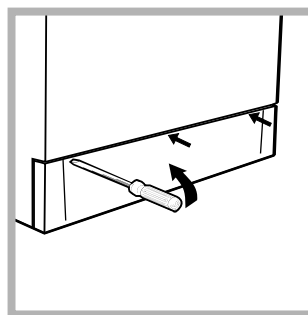
- Lasciare sempre socchiuso l'oblò per evitare che si formino cattivi odori.

Pulire la pompa

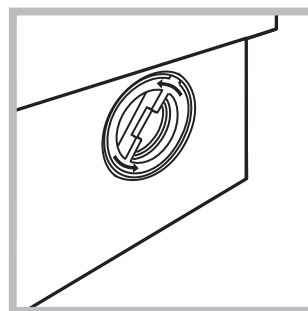
La lavabiancheria è dotata di una pompa autopulente che non ha bisogno di manutenzione. Può però succedere che piccoli oggetti (monete, bottoni) cadano nella precamera che protegge la pompa, situata nella parte inferiore di essa.

! Assicurarsi che il ciclo di lavaggio sia terminato e staccare la spina.

Per accedere alla precamera:



1. rimuovere il pannello di copertura sul lato anteriore della lavabiancheria con l'aiuto di un giravite (vedi figura);



2. svitare il coperchio ruotandolo in senso antiorario (vedi figura): è normale che fuoriesca un po' d'acqua;

3. pulire accuratamente l'interno;
4. riavvitare il coperchio;
5. rimontare il pannello assicurandosi, prima di spingerlo verso la macchina, di aver inserito i ganci nelle apposite asole.

Controllare il tubo di alimentazione dell'acqua

Controllare il tubo di alimentazione almeno una volta all'anno. Se presenta screpolature e fessure va sostituito: durante i lavaggi le forti pressioni potrebbero provocare improvvise spaccature.

! Non utilizzare mai tubi già usati.

Può accadere che la lavabiancheria non funzioni. Prima di telefonare all'Assistenza (*vedi pag. 24*), controllare che non si tratti di un problema facilmente risolvibile aiutandosi con il seguente elenco.

Anomalie:

La lavabiancheria non si accende.

Il ciclo di lavaggio non inizia.

La lavabiancheria non carica acqua.

La lavabiancheria carica e scarica acqua di continuo.

La lavabiancheria non scarica o non centrifuga.

La lavabiancheria vibra molto durante la centrifuga.

La lavabiancheria perde acqua.

La spia ACCENSIONE/OBLÒ BLOCCATO lampeggia in modo veloce contemporaneamente ad almeno un'altra spia.

Si forma troppa schiuma.

Possibili cause / Soluzione:

- La spina non è inserita nella presa della corrente, o non abbastanza da fare contatto.
- In casa non c'è corrente.
- L'oblò non è ben chiuso.
- Il tasto (ⓘ) non è stato premuto.
- Il tasto START/RESET non è stato premuto.
- Il rubinetto dell'acqua non è aperto.
- Il tubo di alimentazione dell'acqua non è collegato al rubinetto.
- Il tubo è piegato.
- Il rubinetto dell'acqua non è aperto.
- In casa manca l'acqua.
- Non c'è sufficiente pressione.
- Il tasto START/RESET non è stato premuto.

- Il tubo di scarico non è installato fra 65 e 100 cm da terra (*vedi pag. 15*).
- L'estremità del tubo di scarico è immersa nell'acqua (*vedi pag. 15*).
- Lo scarico a muro non ha lo sfiato d'aria.

Se dopo queste verifiche il problema non si risolve, chiudere il rubinetto dell'acqua, spegnere la lavabiancheria e chiamare l'Assistenza. Se l'abitazione si trova agli ultimi piani di un edificio, è possibile che si verifichino fenomeni di sifonaggio, per cui la lavabiancheria carica e scarica acqua di continuo. Per eliminare l'inconveniente sono disponibili in commercio apposite valvole anti-sifonaggio.

- Il programma non prevede lo scarico: con alcuni programmi occorre avviarlo manualmente (*vedi pag. 18*).
- È attiva la funzione "Antipiega": per completare il programma premere il tasto START/RESET (*vedi pag. 19*).
- Il tubo di scarico è piegato (*vedi pag. 15*).
- La conduttura di scarico è ostruita.

- Il cestello, al momento dell'installazione, non è stato sbloccato correttamente (*vedi pag. 14*).
- La lavabiancheria non è in piano (*vedi pag. 14*).
- La lavabiancheria è stretta tra mobili e muro (*vedi pag. 14*).

- Il tubo di alimentazione dell'acqua non è ben avvitato (*vedi pag. 14*).
- Il cassetto dei detersivi è intasato (per pulirlo *vedi pag. 22*).
- Il tubo di scarico non è fissato bene (*vedi pag. 15*).

- Spegnere la macchina e togliere la spina dalla presa, attendere circa 1 minuto quindi riaccenderla.
Se l'anomalia persiste, chiamare l'Assistenza.

- Il detersivo non è specifico per lavabiancheria (deve esserci la dicitura "per lavatrice", "a mano e in lavatrice", o simili).
- Il dosaggio è stato eccessivo.

Assistenza

Prima di contattare l'Assistenza:

- Verificare se l'anomalia può essere risolta da soli (*vedi pag. 23*);
- Riavviare il programma per controllare se l'inconveniente è stato ovviato;
- In caso negativo, contattare l'Assistenza tecnica autorizzata al numero telefonico indicato sul certificato di garanzia.

! Non ricorrere mai a tecnici non autorizzati.

Comunicare:

- il tipo di anomalia;
- il modello della macchina (Mod.);
- il numero di serie (S/N);

Queste informazioni si trovano sulla targhetta applicata nella parte posteriore della lavabiancheria.

DE**Deutsch****WIN 121**

INHALTSVERZEICHNIS

Installation, 26-27

Auspacken und Aufstellen
Wasser- und Elektroanschlüsse
Erster Waschgang
Technische Daten

Beschreibung des Waschvollautomaten, 28-29

Schalterblende
Kontrollleuchten

Inbetriebnahme und Programme, 30

Kurz zusammengefasst: Waschprogramm starten
Programmtabelle

Individualisierungen, 31

Einstellen der Temperatur
Funktionen

Waschmittel und Wäsche, 32

Waschmittelschublade
Vorsortieren der Wäsche
Besondere Wäscheteile

Vorsichtsmaßnahmen und Hinweise, 33

Allgemeine Sicherheit
Entsorgung
Energie sparen und Umwelt schonen

Reinigung und Pflege, 34

Wasser- und Stromversorgung abstellen
Reinigung des Gerätes
Reinigung der Waschmittelschublade
Pflege der Gerätetür und Trommel
Reinigung der Pumpe
Kontrolle des Wasserzulaufschlauchs

Störungen und Abhilfe, 35

Kundendienst, 36

Bevor Sie sich an den Kundendienst wenden

Installation

DE

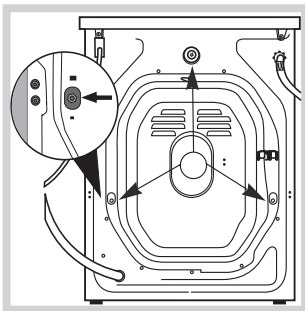
! Es ist äußerst wichtig, diese Bedienungsanleitung sorgfältig aufzubewahren, um sie jederzeit zu Rate ziehen zu können. Sorgen Sie dafür, dass sie im Falle eines Umzugs oder Übergabe an einen anderen Benutzer das Gerät stets begleitet, damit auch der neue Inhaber die Möglichkeit hat, diese zu Rate zu ziehen.

! Lesen Sie bitte folgende Hinweise aufmerksam durch, sie liefern wichtige Informationen hinsichtlich der Installation, dem Gebrauch und der Sicherheit.

Auspacken und Aufstellen

Auspacken

1. Gerät auspacken.
2. Sicherstellen, dass der Waschvollautomat keine Transportschäden erlitten hat. Im Falle einer Beschädigung Gerät bitte nicht anschließen, sondern den Kundendienst anfordern.



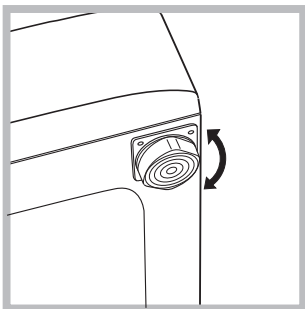
3. Die 3 Transportschutzschrauben ausschrauben und das an der Rückwand befindliche Gummiteil nebst entsprechendem Distanzstück abnehmen (siehe Abbildung).

4. Die Löcher mittels der mitgelieferten Kunststoffstöpsel schließen.
5. Sämtliche Teile aufbewahren: Sollte der Waschvollautomat erneut transportiert werden müssen, müssen diese Teile wieder eingesetzt werden.

! Verpackungsmaterial ist kein Spielzeug für Kinder

Standfläche

1. Der Waschvollautomat muss auf einem ebenen, festen Untergrund aufgestellt werden, ohne ihn an Wände, Möbelteile oder ähnliches anzulehnen.

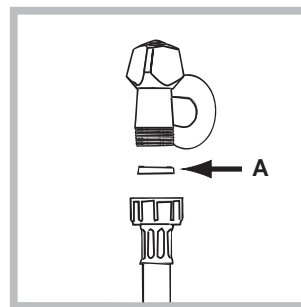


2. Sollte der Boden nicht perfekt eben sein, müssen die Unebenheiten durch An- bzw. Ausdrehen der vorderen Stellfüße ausgeglichen werden (siehe Abbildung), der auf der Arbeitsfläche zu ermittelnde Neigungsgrad darf 2° nicht überschreiten. Eine präzise Nivellierung

verleiht dem Gerät die erforderliche Stabilität, durch die Vibrationen, Betriebsgeräusche und ein Verrücken des Gerätes vermieden werden. Bei Teppichböden müssen die Stellfüße so reguliert werden, dass ein ausreichender Freiraum zur Belüftung unter dem Waschvollautomaten gewährleistet ist.

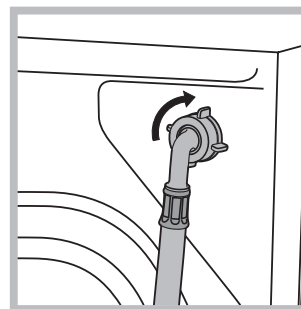
Wasser- und Elektroanschlüsse

Anschluss des Zulaufschlauches



1. Legen Sie die Gummidichtung A in das Anschlussstück des Zulaufschlauches ein und drehen Sie dieses an einen mit Gewindeanschluss von $\frac{3}{4}$ G versehenen Kaltwasserhahn (siehe Abbildung). Lassen Sie das Wasser

vor dem Anschluss so lange auslaufen, bis klares Wasser austritt.



2. Schließen Sie das andere Ende des Schlauches an den oben rechts am Rückteil des Waschvollautomaten befindlichen Wasseranschluss an (siehe Abbildung).

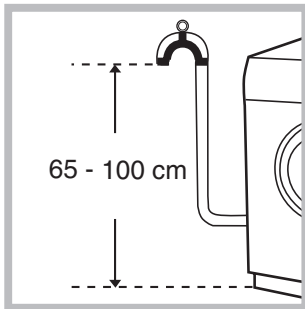
3. Der Schlauch darf hierbei nicht eingeklemmt oder abgeknickt werden.

! Der Wasserdruck muss innerhalb der Werte liegen, die in der Tabelle der Technischen Daten angegeben sind (siehe nebenstehende Seite).

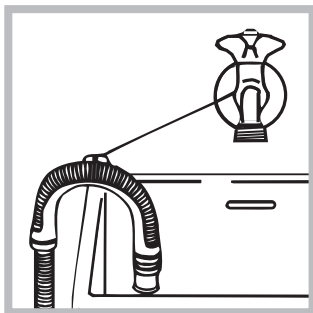
! Sollte der Zulaufschlauch nicht lang genug sein, dann wenden Sie sich bitte an einen Fachhändler oder an einen autorisierten Fachmann.

! Verwenden Sie niemals bereits gebrauchte Schläuche.

Anschluss des Ablaufschlauches



Schließen Sie den Ablaufschlauch, ohne ihn dabei zu krümmen, an eine Ablaufleitung, oder an einen in der Wand in einer Mindesthöhe von 65 - 100 cm angelegten Ablauf an;



oder hängen Sie ihn in ein Becken oder eine Wanne ein; befestigen Sie ihn in diesem Falle mittels der mitgelieferten Führung an dem Wasserhahn (siehe Abbildung). Das freie Ablaufschlauchende darf nicht unter Wasser bleiben.

! Verlängerungsschläuche sollten nicht eingesetzt werden, sollte dies jedoch absolut unvermeidlich sein, muss die Verlängerung denselben Durchmesser des Originalschlauchs aufweisen und 150 cm nicht überschreiten.

Elektronanschluss

Vor Einfügen des Steckers in die Steckdose ist sicherzustellen, dass:

- die Steckdose über eine normgerechte Erdung verfügt;
- die Steckdose die in nebenstehender Datentabelle angegebene Höchstlast des Gerätes trägt;
- die Stromspannung den in nebenstehender Datentabelle aufgeführten Werten entspricht;
- der Stecker in die Steckdose passt. Andernfalls muss der Stecker (oder die Steckdose) ersetzt werden.

! Der Waschvollautomat darf nicht im Freien installiert werden, auch nicht, wenn es sich um einen geschützten Platz handelt. Es ist gefährlich, Ihren Vollwaschautomaten Gewittern und Unwettern auszusetzen.

! Die Steckdose sollte nach installiertem Gerät leicht zugänglich sein.

! Verwenden Sie bitte keine Verlängerungen oder Mehrfachstecker.

! Das Kabel darf nicht gebogen bzw. eingeklemmt werden.

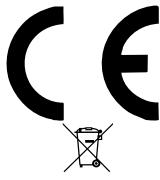
! Das Versorgungskabel darf nur durch autorisierte Fachkräfte ausgetauscht werden.

Achtung! Der Hersteller weist jede Haftung zurück, falls diese Vorschriften nicht eingehalten werden sollten.

Erster Waschgang

Lassen Sie nach der Installation bzw. vor erstmaligem Gebrauch erst einen Waschgang (mit Waschmittel) ohne Wäsche durchlaufen. Stellen Sie hierzu das 90°C-Waschprogramm ohne Vorwäsche ein.

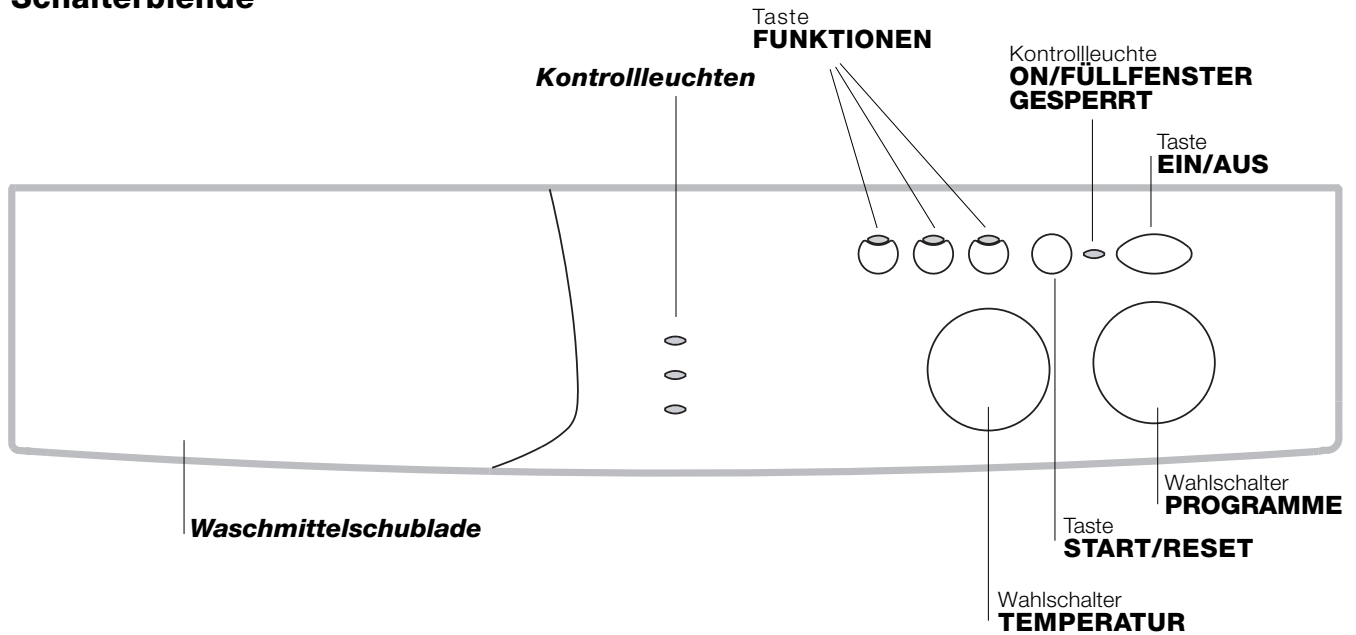
Technische Daten

Modell	WIN 121
Abmessungen	Breite 59,5 cm Höhe 85 cm Tiefe 52,5 cm
Fassungsvermögen	1 bis 5 kg
Elektroanschlüsse	siehe das am Gerät befindliche Typenschild
Wasseranschlüsse	Höchstdruck 1 MPa (10 bar) Mindestdruck 0,05 MPa (0,5 bar) Trommelvolumen 46 Liter
Schleudertouren	bis zu 1200 U/min.
Prüfprogramme gemäß EN 60456	Programm 3; Temperatur 60°C; bei einer Lademenge von 5 kg.
	Dieses Gerät entspricht den folgenden EG-Richtlinien: - 89/336/EWG vom 03.05.89 (elektromagnetische Verträglichkeit) und nachfolgenden Änderungen - 2002/96/CE - 2006/95/CE (Niederspannung)

Beschreibung des Waschvollautomaten

DE

Schalterblende



Waschmittelschublade: für Waschmittel und Zusätze (siehe Seite 32).

Kontrollleuchten: Zur Kontrolle des Waschprogrammablaufs.

Tasten **FUNKTIONEN:** Zur Einstellung der verfügbaren Funktionen. Die gewählte Einstellung der entsprechenden Funktionstaste bleibt eingeschaltet. (sie leuchtet).

Wahlschalter **TEMPERATUR:** Zur Einstellung der Waschtemperatur oder der Kaltwäsche (siehe Seite 31).

Taste **"START/RESET":** um die Programme zu starten bzw. zu löschen, falls unkorrekt eingestellt.

Kontrollleuchte **ON/FÜLLFENSTER GESPERRT:** Um Erkennen zu können, ob die Maschine eingeschaltet ist und demnach das Füllfenster nicht geöffnet werden kann (siehe Seite 29).

Taste **"EIN/AUS":** zur Ein- und Ausschaltung des Waschvollautomaten

Wahlschalter **PROGRAMME:** zur Programmwahl. Während des Programmablaufs bleibt der Schalter feststehend.

Kontrollleuchten



Die Kontrollleuchten liefern wichtige Hinweise.
Sie signalisieren:

Laufende Programmphase:

Während des Waschprogrammablaufs leuchten die Kontrollleuchten nach und nach auf und zeigen so den jeweiligen Stand an.

  Hauptwäsche

  Spülen

  Schleudern

Anmerkung: Während des Abpumpens leuchtet die entsprechende Kontrollleuchte für die Schleuder auf.

Tasten FUNKTIONEN

Die Funktionstasten fungieren auch als Kontrollleuchten.

Bei Wahl einer Funktion leuchtet die entsprechende Taste auf.

Ist die gewählte Funktion nicht vereinbar mit dem eingestellten Programm, schaltet die Taste auf Blinklicht und die Funktion wird nicht aktiviert.

Wird eine Funktion eingestellt, die zu der bereits eingestellten nicht zugeschaltet werden kann, bleibt nur die zuletzt gewählte aktiv.

Kontrollleuchte ON/FÜLLFENSTER GESPERRT


Ist diese Kontrollleuchte eingeschaltet, bedeutet dies, dass das Füllfenster gesperrt ist. Um ungewolltes Öffnen zu vermeiden, warten Sie, bis die Leuchte auf Blinklicht umschaltet, bevor Sie das Fenster öffnen, um Schäden zu vermeiden.

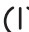
! Ein gleichzeitiges, rasches Blinken der Kontrollleuchte ON/FÜLLFENSTER GESPERRT mit einer beliebigen anderen Kontrollleuchte signalisiert einen Fehler (*siehe Seite 35*).

Inbetriebnahme und Programme






DE

Kurz zusammengefasst: Waschprogramm starten

- Schalten Sie den Waschvollautomaten durch Druck auf die Taste  ein. Alle Kontrollleuchten leuchten für einige Sekunden auf, und erlöschen kurz darauf wieder. Die Kontrollleuchte ON/FÜLLFENSTER GESPERRT schaltet auf Blinklicht.
- Wäsche einfüllen und Füllfenster schließen.
- Stellen Sie das gewünschte Programm mittels des Wahlschalters PROGRAMME ein.
- Einstellen der Waschtemperatur (siehe Seite 31).

- Waschmittel und Zusätze einfüllen (siehe Seite 32).
- Programm durch Druck auf die Taste START/RESET in Gang setzen.
Um dieses zu löschen, Taste START/RESET für mindestens 2 Sekunden gedrückt halten.
- Ist das Waschprogramm abgelaufen schaltet die Kontrollleuchte ON/FÜLLFENSTER GESPERRT auf Blinklicht, was anzeigt, dass das Fenster geöffnet werden kann. Nehmen Sie die Wäsche heraus und lassen Sie das Füllfenster leicht offen stehen, damit die Trommel trocknen kann. Die Waschmaschine nun durch Druck auf die Taste  ausschalten.

Programmtabelle

Gewebeart und Verschmutzungsgrad	Waschprogramme	Temperatur	Waschmittel		Weichmacher	Programmdauer (Minuten)	Beschreibung des Waschprogramms
			Vorw.	Hauptw.			
Baumwolle							
Stark verschmutzte Kochwäsche (Bettücher, Tischdecken usw.)	1	90°C	•	•	•	167	Vorwäsche, Hauptwäsche, Spülen, Zwischen- und Endschleudern
Stark verschmutzte Kochwäsche (Bettücher, Tischdecken usw.)	2	90°C		•	•	152	Hauptwäsche, Spülen, Zwischen- und Endschleudern
Widerstandsfähige, stark verschmutzte Weiß- und Buntwäsche	3	60°C		•	•	158	Hauptwäsche, Spülen, Zwischen- und Endschleudern
Weißwäsche und empfindliche, stark verschmutzte Buntwäsche	3	40°C		•	•	143	Hauptwäsche, Spülen, Zwischen- und Endschleudern
Leicht verschmutzte Weißwäsche und empfindliche Buntwäsche (Oberhemden, Maschenware usw.)	4	40°C		•	•	99	Hauptwäsche, Spülen, Zwischen- und Endschleudern
Leicht verschmutzte empfindliche Buntwäsche	5	30°C		•	•	92	Hauptwäsche, Spülen, Zwischen- und Endschleudern
Synthetik							
Stark verschmutzte, farbechte Buntwäsche (Babywäsche usw.)	6	60°C		•	•	80	Hauptwäsche, Spülen, Knitterschutz oder sanftes Schleudern
Stark verschmutzte (leicht verschmutzte Wäsche jeder Art).	6	40°C		•	•	71	Hauptwäsche, Spülen, Knitterschutz oder sanftes Schleudern
Stark verschmutzte, farbechte Buntwäsche (Babywäsche usw.)	7	50°C		•	•	75	Hauptwäsche, Spülen, Knitterschutz oder sanftes Schleudern
Zarte Farben (leicht verschmutzte Wäsche jeder Art).	8	40°C		•	•	71	Hauptwäsche, Spülen, Knitterschutz oder sanftes Schleudern
Zarte Farben (leicht verschmutzte Wäsche jeder Art).	9	30°C		•	•	30	Hauptwäsche, Spülen und sanftes Schleudern
Wolle/seide							
Wolle	10	40°C		•	•	50	Hauptwäsche, Spülen und sanftes Schleudern
Sehr zarte Feinwäsche (Gardinen, Seide, Viskose, usw.)	11	30°C		•	•	52	Hauptwäsche, Spülen, Knitterschutz oder Wasser abpumpen
Teilprogramme							
Spülen					•		Spülen und Schleudern
Sanftes Spülen					•		Spülen, Knitterschutz oder Abpumpen
Schleudern							Abpumpen und energisches Schleudern
Sanftes Schleudern							Abpumpen und sanftes Schleudern
Abpumpen							Abpumpen

Anmerkungen

Zum Knitterschutz: siehe auf *nebenstehender Seite*. Bei den in der Tabelle aufgeführten Daten handelt es sich um Richtwerte.

Spezialprogramm

Kurzprogramm 30' (Programm 9 für Kunstfasern) Kurzprogramm für die tägliche Wäsche leicht verschmutzter Teile: in nur 30 Minuten, zur Einsparung von Zeit und Energie. Stellen Sie dieses Waschprogramm (9 bei 30°C) ein, dann können, bei einer maximalen Lademenge von 3 kg, Gewebe unterschiedlicher Art (mit Ausnahme von Wolle und Seide) zusammen gewaschen werden. *Es ist ratsam, flüssige Waschmittel einzusetzen.*

Einstellen der Temperatur

Durch Drehen des Wahlschalters TEMPERATUR wird die Waschttemperatur eingestellt. (siehe Programmtabelle auf Seite 30). Die Temperatur kann bis auf Kaltwäsche (❄) herabgesetzt werden.

Funktionen

Die verschiedenen Waschfunktionen, die Ihnen Ihr Waschvollautomat bietet, ermöglichen es Ihnen, hygienisch saubere und weiße Wäsche zu erhalten, die Ihren Wünschen entsprechen. Aktivierung der Funktionen:

1. Die Taste der gewünschten Funktion gemäss untenstehender Tabelle drücken;
2. Das Einschalten bzw. Aufleuchten der entsprechenden Taste zeigt an, dass die Funktion aktiviert wurde.

Anmerkung: Sollte die Taste jedoch auf Blinklicht schalten, bedeutet dies, dass die Funktion zu dem eingestellten Programm nicht zugeschaltet werden kann.

Funktionen	Wirkung	Anleitungen zur Anwendung	Aktiv mit den Programmen:
Kurz	Verkürzt die Dauer des Waschvorgangs um ca. 30%.		1, 2, 3, 4, 5, 6, 7, 8
Extra spülen	Erhöht die Wirksamkeit des Spülgangs.	Empfehlenswert bei voller Gerätebeladung und hoher Waschmitteldosierung.	1, 2, 3, 4, 5, 6, 7, 8, Spülen.
1200-600	Verringert die Schleudergeschwindigkeit.		Alle, mit Ausnahme 11 und Abpumpen.

Knitterschutz

Diese Funktion eingestellt, werden die Programme 6, 7, 8, 11 und Sanftes Spülen unterbrochen, das Wasser wird nicht abgepumpt, die Wäsche bleibt im Wasser liegen (Knitterschutz).

Um den Waschgang zu beenden, taste START/RESET drücken;

Nur das Wasser abpumpen: Knopf auf das entsprechende Symbol drehen und die Taste START/RESET drücken.

Anmerkungen: Um zu starke Vibrationen, bzw. eine Unwucht beim Schleudern, zu vermeiden, sorgt das Gerät für eine gleichmäßige Verteilung der Wäscheladung durch eine laufende Rotation der Trommel bei einer etwas höheren Geschwindigkeit, als die des Waschgangs.

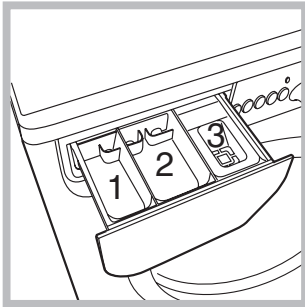
Sollte es trotz mehrerer Versuche nicht gelingen, die Wäscheladung gleichmäßig zu verteilen, schleudert das Gerät die Wäsche bei reduzierter Schleudergeschwindigkeit.

Waschmittel und Wäsche

DE

Waschmittelschublade

Ein gutes Waschergebnis hängt auch von einer korrekten Waschmitteldosierung ab: Eine zu hohe Dosierung bedeutet nicht unbedingt reinere Wäsche, sie trägt nur dazu bei, die Maschineninnenteile zu verkrusten und die Umwelt zu belasten.



Schublade herausziehen und Waschmittel oder Zusätze wie folgt einfüllen:

In Kammer 1: Waschpulver für die Vorwäsche (kein Flüssigwaschmittel)

In Kammer 2: Waschmittel für die Hauptwäsche (Waschpulver oder Flüssigwaschmittel)

Flüssigwaschmittel nur kurz vor dem Start einfüllen.

In Kammer 3: Zusätze (Weichspüler usw.)

Der Weichspüler darf das Gitter nicht übersteigen.

! Verwenden Sie keine Handwaschmittel, sie verursachen eine zu hohe Schaumbildung.

Vorsortieren der Wäsche

- Sortieren Sie die Wäsche nach:
 - Gewebeart / Waschetikettensymbol.
 - und Farben: Buntwäsche von Weißwäsche trennen.
- Entleeren Sie alle Taschen.
- Das angegebene Gewicht, das sich auf die maximale Ladung an Trockenwäsche bezieht, sollte nicht überschritten werden:
 - Widerstandsfähige Gewebe: max 5 kg
 - Kunstfasergewebe: max 2,5 kg
 - Feinwäsche: max 2 kg
 - Wolle: max 1 kg

Wie schwer ist Wäsche?

- 1 Bettuch 400-500 gr
- 1 Kissenbezug 150-200 gr
- 1 Tischdecke 400-500 gr
- 1 Bademantel 900-1200 gr
- 1 Handtuch 150-250 gr

Besondere Wäscheteile

Gardinen: Gardinen zusammengefaltet in einem Kissenbezug oder in einem netzartigen Beutel waschen. Waschen Sie diese allein, ohne das Gesamtgewicht für halbe Füllung zu übersteigen. Stellen Sie das Programm 11 ein, das ein automatisches Ausschließen der Schleuder vorsieht.

Skijacken und Anoraks: Sind diese mit Gänse- oder Daunenfedern gefüttert, können sie im Waschvollautomaten gewaschen werden. Ziehen Sie die Teile auf links, achten Sie auf eine maximale Beladung von 2/3 kg, wiederholen Sie 2/3 Spülgänge und stellen Sie die Schleuder auf Schonschleudern ein.

Wolle: Verwenden Sie Spezialwaschmittel; Lademenge von 1 kg bitte nicht überziehen.

! Der Waschvollautomat wurde nach den strengsten internationalen Sicherheitsvorschriften entworfen und gebaut. Nachstehende Hinweise werden aus Sicherheitsgründen geliefert und sollten aufmerksam gelesen werden.

Allgemeine Sicherheit

- Dieses Gerät wurde für den nicht professionellen Einsatz im privaten Haushalt konzipiert und seine Funktionen dürfen nicht verändert werden.
- Der Waschvollautomat darf nur von Erwachsenen und gemäß den Anleitungen dieses Handbuchs bedient werden.
- Berühren Sie das Gerät nicht, wenn Sie barfuß sind, und auch nicht mit nassen oder feuchten Händen oder Füßen.
- Ziehen Sie den Gerätestecker nicht am Kabel aus der Steckdose, sondern nur am Stecker selbst.
- Öffnen Sie die Waschmittelschublade nicht, wenn das Gerät in Betrieb ist.
- Berühren Sie nicht das Ablaufwasser, es kann sehr heiß sein.
- Öffnen Sie das Füllfenster nicht mit Gewalt: Der Sicherheits-Schließmechanismus könnte hierdurch beschädigt werden.
- Bei etwaigen Störungen versuchen Sie bitte nicht, Innenteile selbst zu reparieren.
- Halten Sie Kinder stets von dem in Betrieb befindlichen Gerät fern.
- Während des Waschganges kann das Füllfenster sehr heiß werden.
- Muss der Waschvollautomat versetzt werden, sollten hierfür mindestens 2/3 Personen verfügbar sein. (Vorsichtig vorgehen). Versuchen Sie es niemals allein, das Gerät ist äußerst schwer.
- Vergewissern Sie sich, dass die Trommel völlig leer ist, bevor Sie die Wäsche einfüllen.

Entsorgung

- Entsorgung des Verpackungsmaterials: Befolgen Sie die lokalen Vorschriften, Verpackungsmaterial kann wiederverwertet werden.
- Gemäß der Europäischen Richtlinie 2002/96/EC über Elektro- und Elektronik-Altgeräte dürfen Elektrohaushalts-Altgeräte nicht über den herkömmlichen Haushaltsmüllkreislauf entsorgt werden. Altgeräte müssen separat gesammelt werden, um die Wiederverwertung und das Recycling der beinhaltenen Materialien zu optimieren und die Einflüsse auf die Umwelt und die Gesundheit zu reduzieren. Das Symbol „durchgestrichene Mülltonne“ auf jedem Produkt erinnert Sie an Ihre

Verpflichtung, dass Elektrohaushaltsgeräte gesondert entsorgt werden müssen.

Endverbraucher können sich an Abfallämter der Gemeinden wenden, um mehr Informationen über die korrekte Entsorgung ihrer Elektrohaushaltsgeräte zu erhalten.

Energie sparen und Umwelt schonen

Technologie im Dienste der Umwelt

Glauben Sie, durch das Füllfenster hindurch wenig Wasser zu sehen? Dank der neuen Indesit-Technik genügt die halbe Wassermenge für eine maximale Sauberkeit: eine Maßnahme die zum Schutze der Umwelt angestrebt wurde.

Waschmittel, Wasser, Energie und Zeit sparen

- Verschwendung von Strom, Wasser, Waschmittel und Zeit kann man vermeiden, indem man die Waschmaschine mit der empfohlenen Höchstwäschemenge benutzt. Bei einer vollen Auslastung Ihres Waschvollautomaten können Sie bis zu 50% Energie sparen.
- Vorwäsche ist nur bei stark verschmutzter Wäsche erforderlich. Durch Vermeidung einer solchen kann Waschmittel, Zeit, Wasser und 5-15% Energie gespart werden.
- Flecken sollten mit einem Fleckenmittel vorbehandelt werden, oder weichen Sie die Wäsche vor der Wäsche ein. Hierdurch können hohe Waschttemperaturen vermieden werden. Ein 60°C-Programm anstelle eines 90°C-Programms, oder ein 40°C-Programm anstelle eines 60°C-Programms hilft bis zu 50% Energie zu sparen.
- Dosieren Sie Waschmittel sparsam je nach Wasserhärte, Verschmutzungsgrad und Wäschemenge, um die Umwelt nicht über Gebühr zu belasten: obwohl sie biologisch abbaubar sind, beinhalten Sie dennoch Stoffe, die die Umwelt belasten. Auch Weichmacher sollten höchst sparsam eingesetzt werden.
- Waschen Sie am späten Nachmittag oder in den ersten Morgenstunden, hierdurch tragen sie dazu bei, die Belastung der Elektrizitätswerke zu mindern.
- Soll die Wäsche in einem Wäschetrockner getrocknet werden, dann stellen Sie eine hohe Schleudergeschwindigkeit ein. Je trockener die Wäsche geschleudert wird, desto niedriger ist der zum Trocknen erforderliche Energieverbrauch.

Reinigung und Pflege

DE

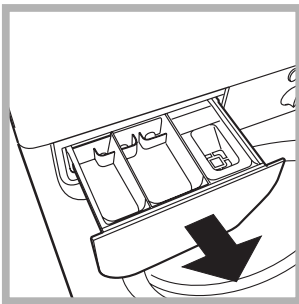
Wasser- und Stromversorgung abstellen

- Wasserhahn nach jedem Waschvorgang zudrehen. Hierdurch wird der Verschleiß der Wasseranlage verringert und Wasserlecks vorgebeugt.
- Ziehen Sie den Stecker aus der Steckdose, bevor Sie Ihren Waschvollautomaten reinigen.

Reinigung des Gerätes

Die Gehäuseteile und die Teile aus Gummi können mit einem mit warmer Spülmittellauge angefeuchteten Tuch gereinigt werden. Vermeiden Sie Löse- und Scheuermittel.

Reinigung der Waschmittelschublade



Heben Sie die Schublade leicht an und ziehen Sie sie nach vorne hin heraus (siehe Abbildung). Spülen Sie diese regelmäßig unter fließendem Wasser gründlich aus.

Pflege der Gerätetür und Trommel

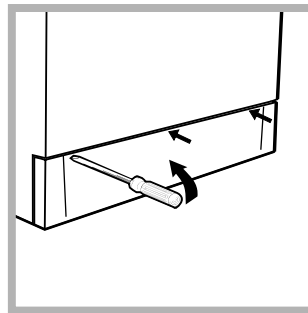
- Lassen Sie die Füllfenstertür stets leicht offen stehen, um die Bildung unangenehmer Gerüche zu vermeiden.

Reinigung der Pumpe

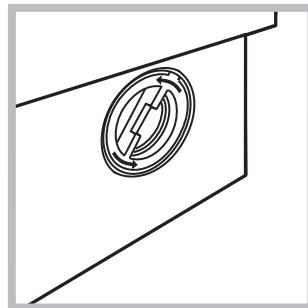
Ihr Gerät ist mit einer selbstreinigenden Pumpe ausgerüstet, eine Wartung ist demnach nicht erforderlich. Es könnte doch einmal vorkommen, dass kleine Gegenstände (Münzen, Knöpfe) in die zum Schutz der Pumpe dienende Vorkammer (befindlich unter der Pumpe) fallen. ! Vergewissern Sie sich, dass der Waschgang abgeschlossen ist und ziehen Sie den Stecker heraus.

! Vergewissern Sie sich, dass der Waschgang abgeschlossen ist und ziehen Sie den Stecker heraus.

Zugang zur Vorkammer:



1. Die Abdeckung (befindlich an der Gerätefront) mit Hilfe eines Schraubenziehers abnehmen (siehe Abbildung);



2. den Deckel gegen den Uhrzeigersinn abdrehen (siehe Abbildung): es ist ganz normal, wenn etwas Wasser austritt;

3. das Innere gründlich reinigen;
4. den Deckel wieder aufschrauben;
5. die Abdeckung wieder anbringen. Stellen Sie hierbei sicher, dass die Haken in die Schlitze eingreifen, bevor Sie die Abdeckung fest andrücken.

Kontrolle des Wasserzulaufschlauchs

Kontrollieren Sie den Zulaufschlauch mindestens einmal im Jahr. Weist er Risse bzw. Brüche auf, muss er ausgetauscht werden. Der starke Druck während des Waschprogramms könnte zu plötzlichem Platzen führen.

! Verwenden Sie niemals bereits gebrauchte Schläuche.

Es kann immer einmal vorkommen, dass Ihr Waschvollautomat nicht funktioniert. Bevor Sie sich an den Technischen Kundendienst wenden (siehe Seite 36), vergewissern Sie sich zuerst, ob es sich nicht um eine Kleinigkeit handelt, die Sie selbst beheben können. Ziehen Sie hierzu nachstehendes Verzeichnis zu Rate.

DE

Störungen:

Der Waschvollautomat schaltet sich nicht ein.

Der Waschgang startet nicht.

Der Waschvollautomat lädt kein Wasser.

Der Waschvollautomat lädt laufend Wasser und pumpt es laufend ab.

Der Waschvollautomat pumpt nicht ab und schleudert nicht.

Der Waschvollautomat vibriert zu stark während des Schleuderns.

Der Waschvollautomat ist undicht.

Die Kontrollleuchte ON/FÜLL-FENSTER GESPERRT und mindestens eine weitere Kontrollleuchte blinken in raschen Abständen.

Es bildet sich zu viel Schaum.

Mögliche Ursachen / Lösungen:

- Der Stecker steckt nicht in der Steckdose, oder nicht so, dass der Kontakt hergestellt wird.
- Der Strom ist ausgefallen.
- Das Füllfenster ist nicht richtig geschlossen.
- Die Taste (I) wurde nicht gedrückt.
- Die Taste START/RESET wurde nicht gedrückt.
- Der Wasserhahn ist nicht auf.
- Der Zufuhrschlauch ist nicht am Wasserhahn angeschlossen.
- Der Schlauch ist geknickt.
- Der Wasserhahn ist nicht auf.
- Es ist kein Wasser da.
- Der Druck ist unzureichend.
- Die Taste START/RESET wurde nicht gedrückt.
- Der Ablaufschlauch befindet sich nicht auf der vorgeschriebenen Höhe, d.h. 65 - 100 cm vom Boden (siehe Seite 27).
- Das Schlauchende liegt unter Wasser (siehe Seite 27).
- Der Mauerablauf wurde nicht mit einer Entlüftungsöffnung versehen.
Konnte die Störung durch diese Kontrollen nicht behoben werden, dann drehen Sie den Wasserhahn zu, schalten das Gerät aus und fordern den Kundendienst an. Falls Sie in einer der obersten Etagen eines Gebäudes wohnen, kann es vorkommen, dass sich im Syphon ein Vakuum bildet, und der Waschvollautomat ständig Wasser ansaugt und wieder abpumpt. Zur Lösung dieser Probleme bietet der Handel spezielle Syphonventile.
- Das Programm siehe kein Abpumpen vor: bei einigen Programmen muss diese Funktion manuell gestartet werden (siehe Seite 30).
- Die Funktion ‚Knitterschutz‘ wurde eingestellt: zur Beendigung des Programms Taste START/RESET drücken (siehe Seite 31).
- Der Ablaufschlauch ist geknickt (siehe Seite 27).
- Die Ablaufleitung ist verstopft.
- Die Trommel wurde bei der Installation nicht korrekt befreit (siehe Seite 26).
- Der Waschvollautomat steht nicht eben (siehe Seite 26).
- Der Waschvollautomat steht zu eng zwischen der Wand und einem Möbel (siehe Seite 26).
- Der Zulaufschlauch wurde nicht ordnungsgemäß aufgeschraubt (siehe Seite 26).
- Die Waschmittelschublade ist verstopft (zur Reinigung siehe Seite 34).
- Der Ablaufschlauch wurde nicht ordnungsgemäß befestigt (siehe Seite 27).
- Schalten Sie das Gerät aus und ziehen Sie den Netzstecker; warten Sie daraufhin ca. 1 Minute und schalten Sie es wieder ein.
Bleibt die Störung bestehen, kontaktieren Sie bitte den Kundendienst.
- Das Waschmittel ist für Waschmaschinen nicht geeignet (es muss mit der Aufschrift "Für Waschmaschinen", "Für Handwäsche und Waschmaschinen" usw. versehen sein).
- Es wurde zu hoch dosiert.

Kundendienst

DE

Bevor Sie sich an den Kundendienst wenden:

- Kontrollieren Sie zuerst, ob das Problem nicht allein gelöst werden kann (*siehe Seite 35*);
- Starten Sie das Programm erneut, um sicherzustellen, dass die Störung auch wirklich behoben wurde;
- Ist dies nicht der Fall, dann kontaktieren Sie den autorisierten Kundendienst unter der auf dem Garantieschein aufgedruckten Telefonnummer.

! Wenden Sie sich auf keinen Fall an nicht autorisierte Techniker.

Geben Sie bitte Folgendes an:

- die Art der Störung;
- das Maschinenmodell (Mod.);
- die Seriennummer (S/N).

Diese Daten entnehmen Sie bitte dem auf der Rückseite der Maschine befindlichen Typenschild.

INSTRUCȚIUNI DE FOLOSIRE

MAȘINĂ DE SPĂLAT RUFEE

RO

Română

WIN 121

Sumar

Instalare, 38-39

Scoaterea din ambalaj și nivelarea
Legături hidraulice și electrice
Primul ciclu de spălare
Date tehnice

Descrierea mașinii de spălat, 40-41

Panoul de control
Indicatoare luminoase

Pornire și Programe, 42

Pe scurt: pornirea unui program
Tabel de programe

Personalizări, 43

Stabilirea temperaturii de spălare
Funcții

Detergenți și rufe albe, 44

Sertarul detergenților
Prepararea rufelor
Rufe deosebite

Precauții și sfaturi, 45

Protecție generală
Aruncarea reziduurilor
Protecția și respectarea mediului înconjurător

Întreținere și îngrijire, 46

Oprirea apei și a curentului electric
Curățarea mașinii de spălat
Curățarea sertarului pentru detergenți
Îngrijirea hubloului și a coșului
Curățarea pompei
Controlarea tubului de alimentare cu apă

Anomalii și remedii, 47

Asistență, 48

Înainte de a lua legătura cu Asistența

RO

Instalare

RO

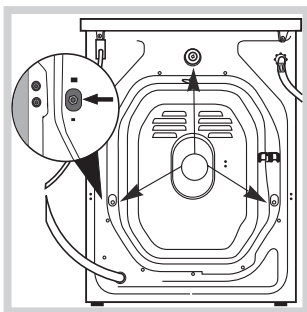
! Este important să se păstreze acest manual pentru a-l putea consulta în orice moment. În caz de vânzare, de cesiune sau de schimbare a locuinței, acesta trebuie să rămână împreună cu mașina de spălat pentru a informa noul proprietar cu privire la funcționare și la respectivele avertismente.

! Citiți cu atenție instrucțiunile: veți găsi informații importante cu privire la instalare, la folosire și la siguranță.

Scoaterea din ambalaj și nivelarea

Scoaterea din ambalaj

1. Scoaterea din ambalaj a mașinii de spălat.
2. Controlați ca mașina de spălat să nu fi fost deteriorată în timpul transportului. Dacă este deteriorată nu o conectați și luați legătura cu cine v-a vândut-o.



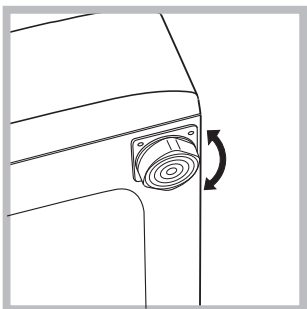
3. Scoateți cele 3 șuruburi de protecție pentru transport și cauciucul cu respectivul distanțator, situate în partea posterioară (a se vedea figura).

4. Închideți orificiile cu dopurile din plastic aflate în dotare.
5. Păstrați toate piesele: pentru cazul în care mașina de spălat va trebui să fie transportată, piesele vor trebui montate din nou.

! Ambalajele nu constituie jucării pentru copii

Nivelare

1. Instalați mașina de spălat pe un paviment plan și rigid, fără a o sprijini de ziduri, mobilă sau altceva.

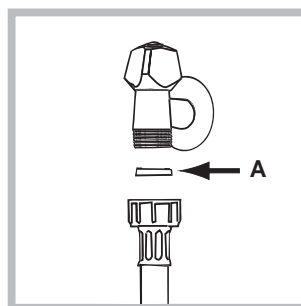


2. Dacă podeaua nu este perfect orizontală, compensați neregularitățile deșurubând sau înșurubând picioarele anterioare (a se vedea figura); unghiul de înclinare, măsurat pe planul de lucru, nu trebuie să depășească 2°.

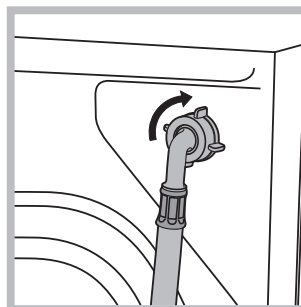
O nivelare precisă conferă stabilitate mașinii și evită vibrații, zgomote și deplasări pe timpul funcționării. În cazul mochetelor sau a unui covor, reglați picioarele astfel încât să mențineți sub mașina de spălat un spațiu suficient pentru ventilare.

Legături hidraulice și electrice

Conectarea tubului de alimentare cu apă



1. Introduceți garnitura A în extremitatea tubului de alimentare și înșurubați-l la un robinet de apă rece cu gura filetată de 1/2" (a se vedea figura). Înainte de conectare, lăsați apa să curgă pentru a se limpezi.



2. Conectați tubul de alimentare la mașina de spălat, înșurubându-l la respectiva priză de apă, în partea posterioară, sus în dreapta (a se vedea figura).

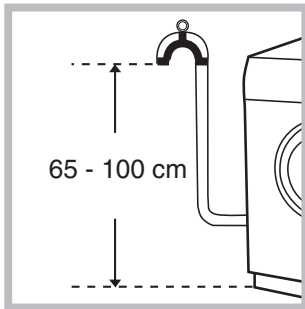
3. Fiți atenți ca tubul să nu fie nici curbat nici îndoit.

! Presiunea apei trebuie să fie cuprinsă în valorile tabelului Date tehnice (a se vedea pagina alăturată).

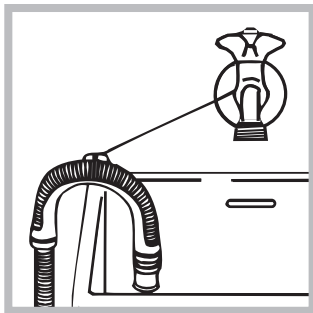
! Dacă lungimea tubului de alimentare nu este suficientă, adresați-vă unui magazin specializat sau unui tehnician autorizat.

! Nu folosiți tuburi deja folosite.

Conectarea tubului de evacuare



Conectați tubul de evacuare, fără a-l îndoi, la o conductă de evacuare sau la o gură de evacuare în zid, situate între 65 și 100 cm de pământ;



sau sprijiniți-l pe marginea unei chiuvete sau a unei căzi, legând ghidul aflat în dotare, de robinet (*a se vedea figura*). Extremitatea liberă a tubului de evacuare nu trebuie să rămână cufundată în apă.

! Nu este recomandabilă folosirea tuburilor de prelungire; dacă este indispensabil, tubul de prelungire trebuie să aibă același diametru cu tubul original și nu trebuie să depășească 150 cm.

Legătura electrică

Înainte de a introduce fișa în priza de curent, asigurați-vă ca:

- priza să fie cu împământare și conform prevederilor de lege;
- priza să poată suporta sarcina maximă de putere a mașinii, indicată în tabelul cu Date tehnice (*a se vedea alături*);
- tensiunea de alimentare să fie cuprinsă în valorile indicate în tabelul cu Date tehnice (*a se vedea alături*);
- priza să fie compatibilă cu fișa mașinii de spălat. În caz contrar înlocuiți priza sau fișa.

! Mașina de spălat nu trebuie instalată afară, nici chiar în cazul în care spațiul este adăpostit, deoarece este foarte periculoasă expunerea mașinii la ploaie și furtuni.

! După instalarea mașinii de spălat, priza de curent trebuie să fie ușor accesibilă.

! Nu folosiți prelungitoare și prize multiple.

! Cablul nu trebuie să fie îndoit sau comprimat.

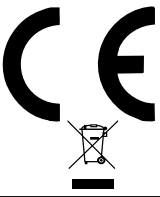
! Cablul de alimentare trebuie să fie înlocuit doar de tehnicienii autorizați.

Atenție! Producătorul își declină orice responsabilitate pentru cazul în care aceste norme nu se respectă.

Primul ciclu de spălare

După instalare, înainte de folosire, efectuați un ciclu de spălare cu detergent și fără rufe, selectând programul la 90°C fără prespălare.

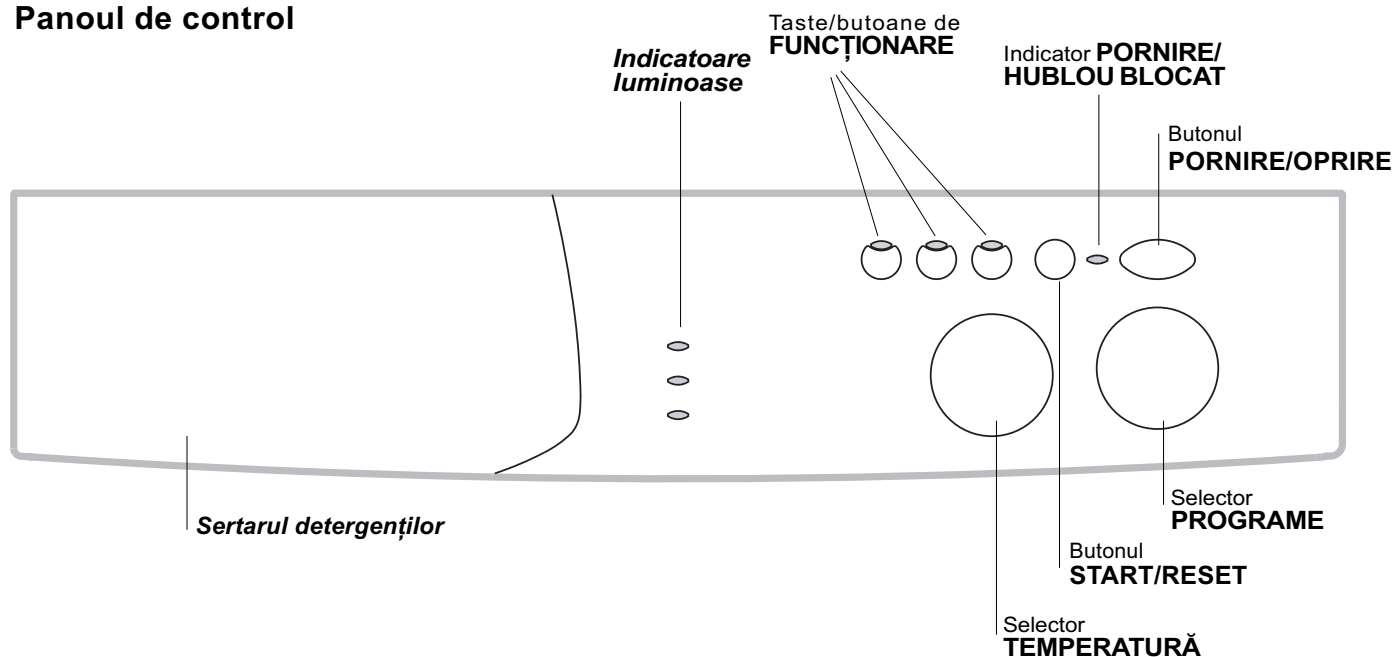
Date tehnice

Model	WIN 121
Dimensiuni	lățime 59,5 cm înălțime 85 cm profundzime 52,5 cm
Capacitate	de la 1 la 5 kg
Legături electrice	vezi eticheta cu caracteristicile tehnice, aplicată pe mașină
Legături hidrice	presiune maximă 1 MPa (10 bari) presiune minimă 0,05 MPa (0,5 bari) capacitatea cuvei 46 litri
Viteza de centrifugare	până la 1200 de rotații pe minut
Programe de control pe baza normei EN 60456	programul 3; temperatura 60°C; efectuată cu 5 kg de rufe.
	Acest aparat este conform cu următoarele Directive Comunitare: - 89/336/CEE din data de 03/05/89 (Compatibilitate Electromagnetică) și modificări succesive - 2002/96/CE - 2006/95/CE (Tensiuni Joase)
Zgomot (dB(A) re 1 pW)	Spălare: 66 Centrifugare: 77

Descrierea mașinii de spălat

RO

Panoul de control



Sertarul detergenților: pentru a încărca detergenți și aditivi (a se vedea pag. 44).

Indicatoare luminoase: pentru a putea urmări derularea programului de spălare ales

Taste FUNCȚIONARE: pentru a selecta funcțiile disponibile. Butonul corespunzător funcției selectate va rămâne aprins.

Selector TEMPERATURĂ: pentru a selecta temperatura sau programul de spălare la rece (a se vedea pag. 43).

Butonul START/RESET: pentru pornirea programelor sau anularea a ceea ce a fost selectat greșit.

Indicator PORNIRE/HUBLOU BLOCAT: vă indică faptul că mașina de spălat este în funcțiune și posibilitatea de a deschide hubloul (a se vedea pag. 41).

Butonul PORNIRE/OPRIRE: pentru pornirea și stingerea mașinii de spălat.

Selector PROGRAME: pentru alegerea programelor.
Pe durata programului selectorul rămâne ferm.

Indicatoare luminoase



Indicatoarele luminoase furnizează informații importante, după cum urmează:

Fază în curs:

Pe durata ciclului de spălare, indicatoarele luminoase se vor aprinde în mod progresiv pentru a indica starea de avansare:

  Spălare

  Clătire

  Centrifugare

Notă: pe durata evacuării, indicatorul luminos aferent programului de stoarcere se va aprinde.

Taste funcționare

TASTELE DE FUNCȚIONARE îndeplinesc și rolul de indicatoare luminoase.

Activând o anumită funcție, butonul aferent acesteia se va aprinde.

Dacă funcția selectată nu este compatibilă cu programul ales, butonul va lumina intermitent, iar funcția aferentă nu va putea fi activată.

În cazul în care va fi selectată o funcție incompatibilă cu cea selectată mai înainte, doar ultima aleasă va rămâne activă.

Indicator PORNIRE/HUBLOU BLOCAT

Aprinderea Indicatorului luminos indică faptul că hubloul a fost blocat în scopul evitării deschiderilor accidentale; pentru a evita daune, este necesar să se aștepte ca indicatorul luminos să se aprindă înainte de a deschide hubloul.

! Intermitența rapidă a indicatorului luminos PORNIRE/HUBLOU BLOCAT în același timp cu acela al unuia sau mai multor indicatoare luminoase indică o anomalie (a se vedea pag. 47).

Pornire și Programe






RO

Pe scurt: pornirea unui program

1. Porniți mașina de spălat apăsând butonul (I).
Toate indicatoarele luminoase se vor aprinde timp de câteva secunde, după care se vor stinge, iar indicatorul PORNIRE/HUBLOU BLOCAT va lumina intermitent.
2. Introduceți rufele și închideți hubloul.
3. Selectați programul dorit cu ajutorul selectorului PROGRAME.
4. Stabiliți temperatura de spălare (a se vedea pag. 43).

5. Vărsați detergenți și aditivi (a se vedea pag. 44).
6. Porniți programul apăsând butonul START/RESET.
Pentru a anula țineți apăsat butonul START/RESET timp de cel puțin 2 secunde.
7. La sfârșitul programului ales, indicatorul luminos PORNIRE/HUBLOU BLOCAT se va aprinde, indicând faptul că hubloul poate fi deschis.
Scoateți rufele și lăsați hubloul întredeschis pentru a evita formarea mirosurilor nepăcute în interiorul cuvei. Închideți hubloul apăsând butonul (I).

Tabel de programe

Tipul de țesătură și de murdărie	Programe	Temperatură	Detergent		Aditiv înmuiere	Durata ciclului (minute)	Descrierea ciclului de spălare
			Presp.	Spăl.			
Bumbac							
Albe extrem de murdare (cearceafuri, fețe de masă, etc.)	1	90°C	•	•	•	167	Prespălare, spălare, clătiri, centrifugi intermediare și finale
Albe extrem de murdare (cearceafuri, fețe de masă, etc.)	2	90°C		•	•	152	Spălare, clătiri, centrifugi intermediare și finale
Albe și colorate rezistente foarte murdare	3	60°C		•	•	158	Spălare, clătiri, centrifugi intermediare și finale
Albe și colorate delicate foarte murdare	3	40°C		•	•	143	Spălare, clătiri, centrifugi intermediare și finale
Albe puțin murdare și culori delicate (cămăși, bluze, etc.)	4	40°C		•	•	99	Spălare, clătiri, centrifugi intermediare și finale
Colorate delicate puțin murdare	5	30°C		•	•	92	Spălare, clătiri, centrifugi intermediare și finale
Sintetice							
Culori rezistente foarte murdare (scutece pentru noi născuți, etc.)	6	60°C		•	•	80	Spălare, clătiri, antișifonare sau centrifugare delicată
Culori rezistente (rufe de toate tipurile puțin murdare)	6	40°C		•	•	71	Spălare, clătiri, antișifonare sau centrifugare delicată
Culori rezistente foarte murdare (scutece pentru noi născuți, etc.)	7	50°C		•	•	75	Spălare, clătiri, antișifonare sau centrifugare delicată
Culori delicate (rufe de toate tipurile puțin murdare)	8	40°C		•	•	71	Spălare, clătiri, antișifonare sau centrifugare delicată
Culori delicate (rufe de toate tipurile puțin murdare)	9	30°C		•	•	30	Spălare, clătiri și centrifugare delicată
Delicate							
Lână	10	40°C		•	•	50	Spălare, clătiri și centrifugare delicată
Țesături foarte delicate (perdele, mătase, vâscoză, etc.)	11	30°C		•	•	52	Spălare, clătiri, antișifonare sau scurgere
PROGRAME PARȚIALE							
Clătire					•		Clătiri și centrifugare
Clătire delicată					•		Clătiri, antișifonare sau descărcare apă
Centrifugare							Descărcare apă și centrifugare energetică
Centrifugare delicată							Descărcare apă și centrifugare delicată
Descărcare							Descărcare

Note

Pentru descrierea funcțiunii Antișifonare a se vedea pag. 43. Datele specificate în tabel au valoare indicativă.

Program special

Zilnic 30' (programul 9 pentru materiale sintetice) este studiat pentru a spăla rufe puțin murdare într-un interval scurt de timp: durează doar 30 de minute economisindu-se energie și timp. Selectând programul (9 la 30°C) este posibilă spălarea împreună a țesăturilor de diverse tipuri (excluse lâna și mătasea) cu o încărcătură maximă de 3 kg. *Se recomandă folosirea detergentului lichid.*

Stabilirea temperaturii de spălare

Temperatura de spălare se obține prin rotirea selectorului TEMPERATURĂ până ajungeți în dreptul valorilor dorite. (a se vedea Tabelul de programe de la pag. 42).

Puteți folosi și spălarea la rece (❄).



RO

Funcții

Diferitele funcții de spălare prevăzute pentru mașina de spălat permit obținerea unor rezultate excepționale (o calitate îmbunătățită a spălării-rufe curate, etc.). Pentru a activa aceste funcții, procedați astfel:

1. apăsați butonul aferent funcției dorite, ținând cont de informațiile conținute în tabelul de mai jos;
2. aprinderea butonului respectiv indică faptul că funcția respectivă a fost activată.

Notă: Intermitența rapidă a butonului indică faptul că funcția respectivă nu este selecționabilă pentru programul ales.


Funcții	Efect	Note pentru folosire	Activă cu programele:
 Rapid	Reduce cu 30% durata ciclului de spălare.		1, 2, 3, 4, 5, 6, 7, 8
 Extra Clătire	Mărește eficacitatea clătirii.	Se recomandă cu mașina plină sau cu doze elevate de detergent.	1, 2, 3, 4, 5, 6, 7, 8, Clătiri.
1200-600	Reduce turația de centrifugare.		Toate cu excepția lui 11 și a evacuării.

Antișifonare

Această funcțiune întrerupe programul de spălare menținând rufele la înmuiat în apă înainte de descărcare.

Este activă pentru programele 6 – 7 – 8 – 11 și Clătire delicată.

Pentru a completa ciclul apăsați pe butonul START/RESET;

Pentru a efectua doar descărcarea poziționați selectorul pe simbolul respectiv  și apăsați pe butonul START/RESET.

Note: Pentru a evita vibrarea excesivă, înainte de stoarcere, mașina va distribui cantitatea de rufe în mod uniform, efectuând câteva rotații complete la o turație mai mare în raport cu turația de spălare.

Dacă, după numeroase încercări, mașina nu reușește să echilibreze încărcătura, stoarcerea rufelor se va face la o turație mai mică decât cea prevăzută de program.

Dacă dezechilibrul este prea mare (în cazul încărcărilor excesive), mașina va încerca să redistribuie încărcătura înainte de a efectua stoarcerea.

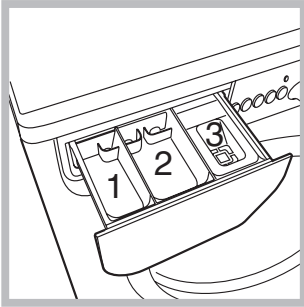
Aceste încercări pot prelungi durata totală a unui program cu maxim 10 minute.

Detergenți și rufe albe

RO

Sertarul detergenților

Un rezultat bun la spălare depinde și de dozarea corectă a detergentului: cu un exces de detergent nu se spală în mod mai eficient și se contribuie la în crustarea părților interne ale mașinii de spălat și poluarea mediului înconjurător.



Extrageți sertarul pentru detergenți și introduceți detergentul sau aditivul după cum urmează:

sertarul 1: Detergent pentru prespălare (sub formă de praf)

sertarul 2: Detergent pentru spălare (sub formă de praf sau lichid)

Detergentul lichid trebuie vărsat doar înainte de pornire.

sertarul 3: Aditivi (soluție de înmuiat, etc.)

Soluția de înmuiat nu trebuie să iasă deasupra grătarului.

! Nu folosiți detergenți pentru spălare manuală, deoarece formează prea multă spumă.

Prepararea rufelor

- Subdivizați rufe în funcție de:
 - tipul de țesătură / simbolul de pe etichetă.
 - culori: separați rufe colorate de cele albe.
- Goliți buzunarele și controlați nasturii.
- Nu depășiți valorile indicate, referitoare la greutatea rufelor uscate:
 - Țesături rezistente: max 5 kg
 - Țesături sintetice: max 2,5 kg
 - Țesături delicate: max 2 kg
 - Lână: max 1 kg

Cât cântăresc rufe?

- 1 cearceaf: 400-500 g.
- 1 față de pernă: 150-200 g.
- 1 față de masă: 400-500 g.
- 1 halat de baie: 900-1.200 g.
- 1 prosop: 150-250 g.

Rufe deosebite

Perdele: împăturiți-le și așezați-le într-o față de pernă sau într-un sac de tip plasă. Spălați-le singure fără a depăși o jumătate din încărcătură. Folosiți programul 11 care exclude centrifugarea.

Plăpumi și haine de vânt: dacă căptușeala este din fulgi de gâscă sau de rață se pot spăla în mașina de spălat. Întoarceți lucrurile pe dos și formați o încărcătură maximă de 2-3 kg, repetând clătirea o dată sau de două ori și utilizând centrifuga delicată.

Lână: pentru a obține cele mai bune rezultate, folosiți un detergent specific și nu depășiți 1 kg de rufe.

! Mașina de spălat a fost proiectată și construită conform normelor internaționale de protecție. Aceste avertizări sunt furnizate din motive de siguranță și trebuie să fie citite cu atenție.

Protecție generală

- Acest aparat a fost conceput pentru o folosire de uz casnic, nu profesională, iar funcțiile sale nu trebuie alterate.
- Mașina de spălat trebuie să fie folosită doar de persoane adulte și respectând instrucțiunile din acest manual.
- Nu atingeți mașina când sunteți desculți sau cu mâinile sau picioarele ude sau umede.
- Nu scoateți ștecherul din priza de curent trăgând de cablu, ci trăgând de ștecher.
- Nu deschideți sertarul detergentilor în timp ce mașina se află în funcțiune.
- Nu atingeți apa provenită din evacuare, care poate atinge temperaturi ridicate.
- Nu forțați în nici un caz hubloul: s-ar putea deteriora mecanismul de siguranță care împiedică deschiderile accidentale.
- În cazul defecțiunilor, nu interveniți în nici un caz în mecanismele interne pentru a încerca să reparați mașina de spălat.
- Controlați mereu ca în apropierea mașinii aflate în funcțiune să nu se afle copii.
- Pe durata spălării hubloul are tendința de a se încălzi.
- Dacă mașina trebuie să fie deplasată, faceți acest lucru în două sau trei persoane, cu maximă atenție. Niciodată nu deplasați mașina singuri deoarece aceasta este foarte grea.
- Înainte de a introduce rufe, controlați ca în interior să fie goală.

Aruncarea reziduurilor

- Aruncarea materialelor de ambalare: respectați normele locale, în acest fel ambalajele vor putea fi reutilizate.
- Directiva Europeană 2002/96/CE cu privire la deșeurile care provin de la aparatura electrică sau electronică prevede ca aparatele electrocasnice să nu fie colectate împreună cu deșeurile urbane solide, obișnuite. Aparatele scoase din uz trebuie să fie colectate separat atât pentru a optimiza rata de recuperare și de reciclare a materialelor componente cât și pentru a evita pericolele care pot duce la dăunarea sănătății omului sau poluarea mediului înconjurător. Simbolul tomberonului tăiat care apare pe toate produsele vă amintește tocmai obligația de a le colecta separat.

Pentru informații suplimentare cu privire la scoaterea din uz a electrocasnicelor, deținătorii acestora pot apela la centrele de colectare a deșeurilor sau la vânzătorii de la care au achiziționat produsele respective.

Protecția și respectarea mediului înconjurător

Tehnologia la dispoziția mediului înconjurător

Dacă prin hubloul se vede puțină apă este pentru că, datorită noii tehnologii Indesit, este suficientă mai puțin de jumătate din apă pentru a obține o curățare maximă: un scop atins pentru respectarea mediului înconjurător.

Economisirea de detergent, apă, energie și timp

- Pentru a economisi detergent, apă, timp folosiți încărcătura maximă.
O încărcare totală în locul a două jumătăți, permite economisirea de până la 50% energie electrică.
- Prespălarea este necesară doar pentru rufe foarte murdare. Evitarea acesteia permite economisirea de detergent, timp, apă și între 5 și 15% energie electrică.
- Tratănd petele cu o substanță pentru îndepărtarea acestora și lăsându-le la înmuiat înainte se spălare, se reduce necesitatea de a spăla la temperaturi mari. Un program la 60°C în locul unui la 90°C sau unul la 40°C în locul unui la 60°C, permit economisirea de până la 50% energie electrică.
- Dozați bine detergentul în funcție de durezza apei, de gradul de murdărie și de cantitatea de rufe, pentru a evita risipe și pentru a proteja mediul înconjurător: deși sunt biodegradabili, detergentii conțin elemente care alterează echilibrul naturii. Mai mult, evitați pe cât posibil aditivul de înmuiere.
- Efectuând spălări începând de seara și până la primele ore ale dimineții, se colaborează pentru reducerea sarcinii de absorbire a întreprinderilor electrice.
- Dacă rufe trebuie uscate într-un uscător, selectați o turație mare de centrifugare. Cantitatea redusă de apă permite economisirea de timp și energie electrică la programul de uscare.

Întreținere și îngrijire

RO

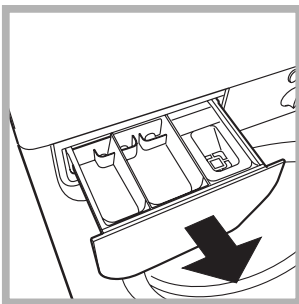
Oprirea apei și a curentului electric

- Închideți robinetul de apă după fiecare spălare. Se limitează astfel uzare instalației hidraulice a mașinii de spălat și se elimină pericolul scurgerilor.
- Scoateți fișa din priza de curent atunci când curățați mașina de spălat și când se efectuează lucrări de întreținere.

Curățarea mașinii de spălat

Partea externă și părțile din cauciuc pot fi curățate cu o cârpă înmuiată în apă caldă și săpun. Nu folosiți solvenți sau substanțe abrazive.

Curățarea sertarului pentru detergenți



Scoateți sertarul ridicându-l și trăgându-l spre exterior (a se vedea figura): Spălați-l cu apă; această curățare trebuie efectuată frecvent.

Îngrijirea hubloului și a coșului

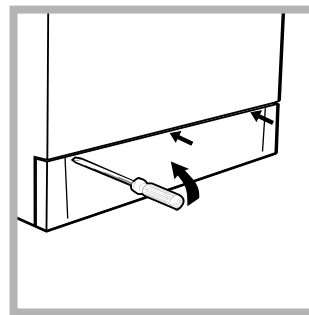
- Lăsați mereu hubloului întredeschis pentru a evita formarea de mirosuri urâte.

Curățarea pompei

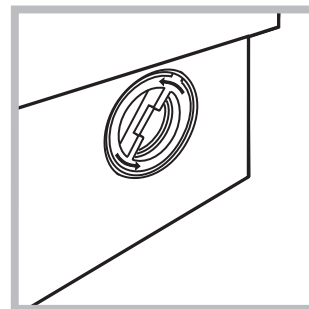
Mașina de spălat este echipată cu o pompă autocurățătoare care nu are nevoie de întreținere. Se poate întâmpla însă ca obiecte mici (monede, nasturi) să cadă în precamera care protejează pompa, situată în partea inferioară a acesteia.

! Verificați ca ciclul de spălare să fie terminat și scoateți din priză.

Pentru a avea acces la precameră:



1. scoateți panoul de acoperire de pe latura anterioară a mașinii de spălat folosindu-vă de o șurubelniță (a se vedea figura):



2. deșurubați capacul rotindu-l în sens invers (a se vedea figura): este normal să iasă puțină apă;

3. curățați cu grijă interiorul;
4. montați din nou capacul;
5. montați din nou panoul verificând, înainte de a-l împinge spre mașină, de a fi introdus cârligele în orificiile respective.

Controlarea tubului de alimentare cu apă

Controlați tubul de alimentare cel puțin o dată pe an. Dacă prezintă crăpături sau fisuri trebuie înlocuit: pe parcursul spălărilor, presiunile puternice ar putea provoca crăpături neașteptate.

! Nu folosiți tuburi deja folosite.

Se poate întâmpla ca mașina de spălat să nu funcționeze. Înainte de a telefona la Asistență (a se vedea pag. 48), verificați dacă această problemă nu poate fi remediată de dvs., astfel:

Anomalii:

Cauze posibile / Rezolvare:

Mașina de spălat nu se aprinde.

- Fișa nu este introdusă sau nu a fost suficient introdusă în priză de curent astfel încât să existe conexiune electrică.
- În casă nu este curent electric.

Ciclul de spălare nu pornește.

- Hubloul nu este bine închis.
- Butonul (⏏) nu a fost apăsat.
- Butonul START/RESET nu a fost apăsat.
- Robinetul de apă nu este deschis

Mașina de spălat nu încarcă apă.

- Tubul de alimentare cu apă nu este conectat la robinet.
- Tubul este îndoit.
- Robinetul de apă nu este deschis
- În casă lipsește apa.
- Nu este presiune suficientă.
- Butonul START/RESET nu a fost apăsat.

Mașina de spălat încarcă și evacuează apă continuu.

- Tubul de evacuare nu a fost instalat la o distanță cuprinsă între 65 și 100 cm de pământ (a se vedea pag. 39).
- Extremitatea tubului de evacuare este cufundată în apă (a se vedea pag. 39).
- Evacuarea din perete nu are răsuflare pentru aer.

Dacă după aceste verificări problema nu se rezolvă, închideți robinetul de apă, opriți mașina de spălat și chemați Asistența. Dacă locuința se află la ultimele etaje ale unui edificiu, este posibil să aibă loc fenomene de sifonare, motiv pentru care mașina de spălat încarcă și evacuează apă încontinuu. Pentru a elimina acest inconvenient, se găsesc în comerț supape anti-sifonare.

Mașina de spălat nu evacuează sau nu centrifughează.

- Programul nu prevede evacuarea apei: cu unele programe este necesar să se pornească manual (a se vedea pag. 42).
- Este activă funcțiunea "Antișifonare": pentru a completa programul apăsați pe butonul START/RESET (a se vedea pag. 43).
- Tubul de evacuare este îndoit (a se vedea pag. 39).
- Conducta de evacuare este înfundată.

Mașina de spălat vibrează foarte mult pe timpul centrifugării.

- Coșul, în momentul instalării, nu a fost deblocat în mod corect (a se vedea pag. 38).
- Mașina de spălat nu se află în plan orizontal (a se vedea pag. 38).
- Mașina de spălat este fixată foarte puternic între mobilă și zid (a se vedea pag. 38).

Mașina de spălat pierde apă.

- Tubul de alimentare cu apă nu este bine înșurubat (a se vedea pag. 38).
- Sertarul detergenților este înfundat (pentru a-l curăța a se vedea pag. 46).
- Tubul de evacuare nu este fixat bine (a se vedea pag. 39).

Butonul PORNIRE/HUBLU BLOCAT se aprinde în mod rapid și în același timp cu cel puțin un alt indicator.

- Opriți mașina și scoateți ștecherul din priză; așteptați aprox. 1 minut înainte de a o reporni. Dacă nu obțineți nici un rezultat, apălați la Centrul de Service pentru asistență.

Se formează prea multă spumă.

- Detergentul nu este specific pentru mașina de spălat (trebuie să fie scris „pentru mașina de spălat”, „de mână sau în mașina de spălat”, sau ceva asemănător).
- Dozajul a fost excesiv.

Asistență

RO

Înainte de a lua legătura cu Asistența:

- Verificați dacă anomalia poate fi rezolvată de dvs. (*a se vedea pag. 47*);
- Porniți din nou programul pentru a controla dacă inconvenientul a fost eliminat;
- În caz contrar, vă recomandăm să apelați la Unitatea de Service.

! Nu apelați niciodată la tehnicieni neautorizați.

Comunicați:

- tipul de anomalie;
- modelul mașinii (Mod.);
- numărul de serie (S/N).

Aceste informații se află pe tablă aplicată în partea posterioară a mașinii de spălat.

NL

Nederlands

WIN 121

Inhoud

Installatie, 50-51

Uitpakken en waterpas zetten
Water- en elektrische aansluiting
Eerste wasprogramma
Technische gegevens

Beschrijving van de wasmachine, 52-53

Bedieningspaneel
Controlelampjes

Start en programma's, 54

In het kort: een programma starten
Tabel van de programma's

Persoonlijk instellen, 55

Instellen van de temperatuur
Functies

Wasmiddel en wasgoed, 56

Wasmiddellaatje
Prepareren van het wasgoed
Speciale stukken

Voorzorgsmaatregelen en raadgevingen, 57

Algemene veiligheid
Het afvoeren
Bezuiniging en bescherming van het milieu

Onderhoud, 58

Afsluiten van water en stroom
Schoonmaken van de wasmachine
Het wasmiddellaatje schoonmaken
Reinigen van deur en trommel
Reinigen van de pomp
Controleer de slang van de watertoevoer

Storingen en oplossingen, 59

Service, 60

Voordat u er de installateur bijhaalt

Installatie

NL

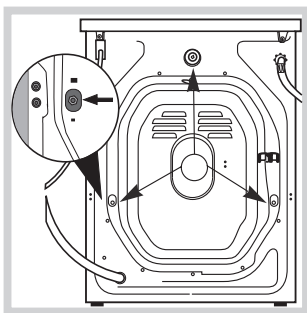
! Het is belangrijk dit boekje te bewaren zodat u het kunt raadplegen wanneer u maar wilt. In het geval dat u de machine verkoopt, of u verhuist, moet het boekje bij de machine blijven zodat de nieuwe gebruiker de functies en betreffende raadgevingen kan leren kennen.

! Lees de instructies met aandacht: u vindt er belangrijke informatie betreffende het installeren, gebruik en veiligheid.

Uitpakken en waterpas zetten

Uitpakken

1. Pak de wasmachine uit.
2. Controleer of de wasmachine geen schade heeft geleden gedurende het vervoer. Indien dit wel het geval is moet hij niet worden aangesloten en moet u contact opnemen met de handelaar.



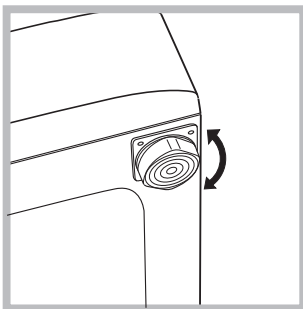
3. Verwijder de 3 transportbouten met de rubberen ring en bijbehorende afstandstukken die zich aan de achterkant bevinden (zie afbeelding).

4. Sluit de gaten af met de bijgeleverde plastic doppen.
5. Bewaar alle stukken: mocht de wasmachine ooit worden vervoerd, dan moeten deze weer worden aangebracht.

! Het verpakkingsmateriaal is geen speelgoed voor kinderen.

Waterpassen

1. Installeer de wasmachine op een rechte en stevige vloer en laat hem niet leunen tegen een muur, meubel of dergelijken.

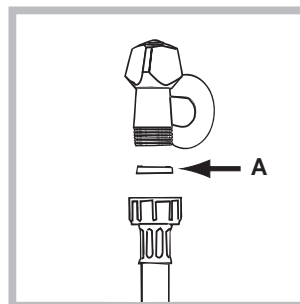


2. Als de vloer niet perfect horizontaal is kunt u de onregelmatigheid opheffen door de stelvoetjes aan de voorkant in- of uit te schroeven (zie afbeelding); de hoek, gemeten ten opzichte van de aanrecht, mag de 2° niet overschrijden.

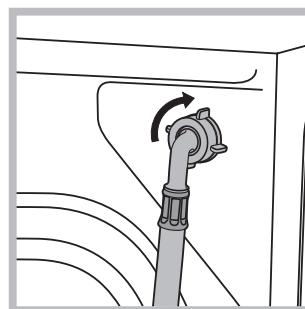
Een correcte waterpas geeft de machine stabiliteit en vermijdt trillingen, lawaai en het zich verplaatsen gedurende het functioneren van de machine. In het geval van vaste vloerbedekking of een tapijt regelt u de stelvoetjes zodanig dat onder de wasmachine genoeg plaats is voor ventilatie.

Water- en elektrische aansluiting

Aansluiting van de watertoevoerslang



1. Plaats de pakking A op het uiteinde van de waterslang en schroef hem op een koudwaterkraan met een mondstuk met schroefdraad van 3/4 gas (zie afbeelding). Voordat u hem aansluit moet u het water laten lopen totdat het helder is.



2. Verbind de slang aan de wasmachine door hem op de betreffende watertoevoer aan te schroeven, rechtsboven aan de achterkant (zie afbeelding).

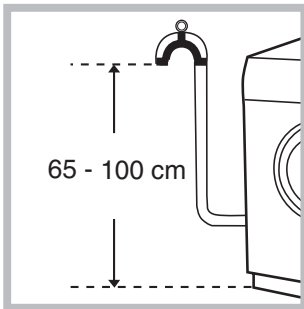
3. Let erop dat er geen knellingen of kronkels in de slang zijn.

! De waterdruk van de kraan moet binnen de waarden van de tabel Technische Gegevens liggen (zie bladzijde hiernaast).

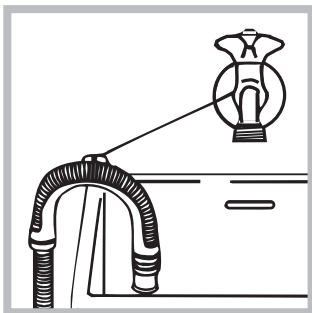
! Als de slang niet lang genoeg is moet u zich wenden tot een gespecialiseerde handelaar of een bevoegde installateur.

! Nooit reeds eerder gebruikte slangen gebruiken.

Aansluiting van de afvoerbuis



Verbind de buis, zonder hem te buigen, aan een afvoerleiding of aan een afvoer in de muur tussen 65 en 100 cm van de grond af;



of hang hem op de rand van een wasbak of bad, en bind de bijgeleverde leiding aan de kraan (zie afbeelding). Het uiteinde van de afvoerslang mag niet onder water hangen.

! Gebruik geen verlengstuk voor de slang ; indien dit niet te vermijden is moet het verlengstuk dezelfde doorsnee hebben als de originele slang en hij mag niet langer zijn dan 150 cm.

Elektrische aansluiting

Voordat u de stekker in het stopcontact steekt moet u zich ervan verzekeren dat:

- het stopcontact geaard is en voldoet aan de geldende normen;
- het stopcontact het maximum vermogen van de machine kan verdragen, zoals aangegeven in de tabel Technische Gegevens (zie hiernaast);
- het voltage correspondeert met de waarden die zijn aangegeven in de tabel Technische Gegevens (zie hiernaast);
- het stopcontact geschikt is voor de stekker van de machine. Indien dit niet zo is moet de stekker of het stopcontact vervangen worden.

! De wasmachine mag niet buiten worden geïnstalleerd, ook niet op een plaats die beschermd is, aangezien het gevaarlijk is hem aan regen en onweer bloot te stellen.

! Als de wasmachine is geïnstalleerd moet het stopcontact gemakkelijk te bereiken zijn.

! Gebruik geen verlengsnoeren of dubbelstekkers.

! Het snoer mag niet in bochten of geknikt liggen.

! De voedingskabel mag alleen door een bevoegde installateur worden vervangen.

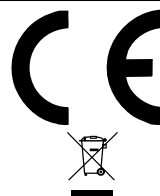
Belangrijk! De fabrikant is niet aansprakelijk wanneer deze normen niet gerespecteerd zijn.

Eerste wasprogramma

Voordat u de machine gaat gebruiken moet u hem een wascycle laten uitvoeren met wasmiddel maar zonder wasgoed, met het programma van 90° zonder voorwassen.

Technische gegevens

Model	WIN 121
Afmetingen	breedte cm 59,5 hoogte cm 85 diepte cm 52,5
Vermogen	van 1 tot 5 kg
Elektrische aansluitingen	zie het typeplaatje met de technische eigenschappen dat op het apparaat is bevestigd
Aansluiting waterleiding	max. druk 1 MPa (10 bar) min. druk 0,05 MPa (0,5 bar) Inhoud trommel 46 liters
Snelheid centrifuge	tot 1200 toeren per minuut
Controle-programma's volgens de norm EN 60456	programma 3; temperatuur 60°C; uitgevoerd met 5 kg lading.

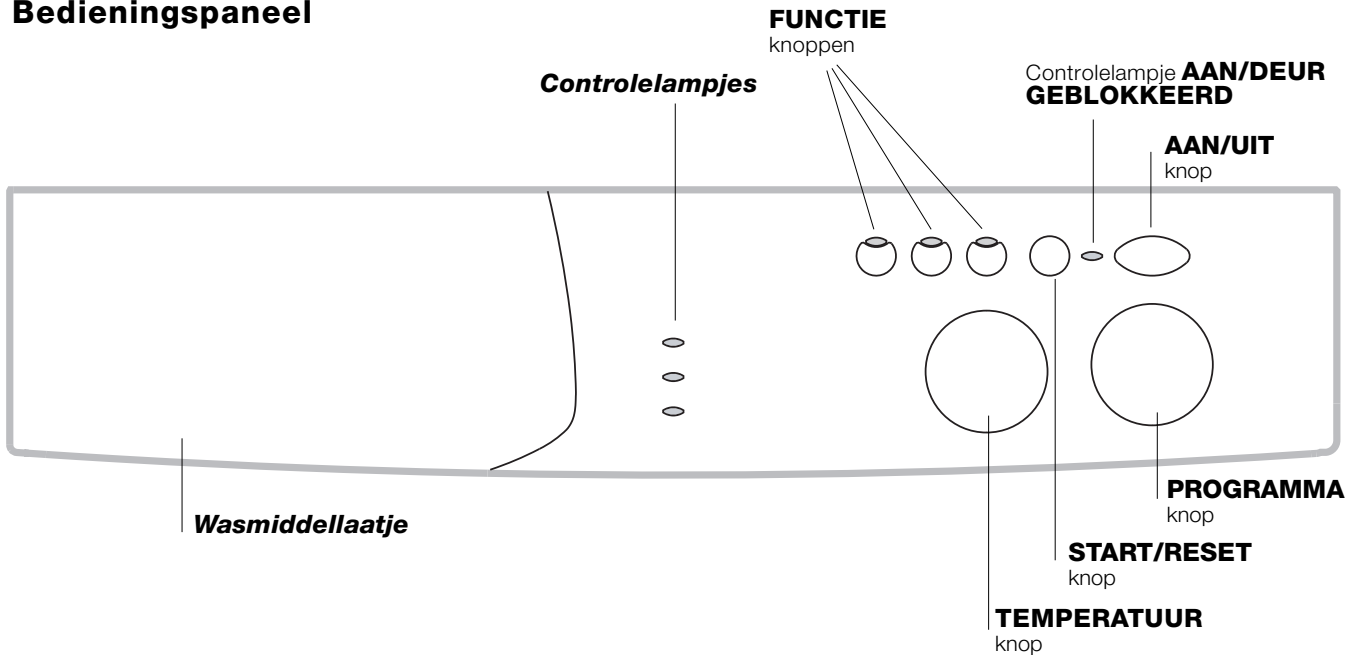


Deze apparatuur voldoet aan de volgende EEC voorschriften:
- 89/336/EEC van 03/05/89 (Elektromagnetische compatibiliteit) en successievelijke modificaties
- 2002/96/EEC
- 2006/95/EEC (Laagspanning)

Beschrijving van de wasmachine

NL

Bedieningspaneel



Wasmiddellaatje: voor wasmiddel en verdere toevoegingen (zie blz. 56).

Controlelampjes: voor het volgen van het verloop van het wasprogramma.

FUNCTIE knoppen: voor het kiezen van de functies. De knop van de gekozen functie blijft verlicht.

TEMPERATUUR knop: voor het instellen van de temperatuur of koud wassen (zie blz. 55).

START/RESET knop: voor het starten van de programma's of voor het annuleren als u per ongeluk verkeerd heeft ingesteld.

Controlelampje **AAN/DEUR GEBLOKKEERD:** geeft aan of de wasmachine aan is en of de deur geopend kan worden (zie blz. 53).

AAN/UIT knop: voor het in- en uitschakelen van de wasmachine.

PROGRAMMA knop: voor het kiezen van de programma's. Gedurende het programma blijft de knop stilstaan.

Controlelampjes

De controlelampjes geven belangrijke informatie.
Ze geven aan:

Fase die bezig is:

Gedurende het verloop van het wasprogramma gaan de controlelampjes een voor een aan om aan te tonen met welk programmaonderdeel de machine bezig is:

  Was

  Spoelen

  Centrifugereren

N.B.: gedurende het afpompen gaat het controlelampje dat bij de fase Centrifugereren hoort branden.

Functie-knoppen

De FUNCTIE-KNOPPEN dienen ook als controlelampjes.

Als u een functie kiest wordt de bijbehorende knop verlicht.

Als de gekozen functie niet bij het ingestelde programma hoort gaat de knop knipperen en de functie wordt niet geactiveerd.

Als een functie wordt ingesteld die niet past bij een andere eerder ingestelde functie, dan blijft alleen de laatste keuze actief.

Controlelampje AAN/DEUR GEBLOKKEERD:

Als het controlelampje brandt dan betekent dit dat de deur geblokkeerd is. Dit om te voorkomen dat hij per ongeluk geopend zou worden; om schade te voorkomen moet u wachten tot het controlelampje knippert. Dan pas kunt u de deur opentrekken.


! Als het controlelampje van AAN/DEUR GEBLOKKEERD snel knippert tegelijkertijd met minstens één ander controlelampje dan betekent dit dat er een storing is (zie blz. 59).

Start en Programma's






NL

In het kort: een programma starten

- Schakel de wasmachine in met de knop . Alle controlelampjes branden gedurende enkele seconden, gaan vervolgens uit en het controlelampje AAN/DEUR GEBLOKKEERD gaat knipperen.
- Laad het wasgoed in en sluit de deur.
- Stel het gewenste programma in met de knop PROGRAMMA'S.
- Stel de wastemperatuur in (zie blz. 55).

- Giet het wasmiddel en verdere toevoegingen in het laatje (zie blz. 56).
- Start het programma met de START/RESET knop. Voor het annuleren houdt u de START/RESET knop minstens 2 seconden ingedrukt.
- Aan het einde van het programma gaat het controlelampje AAN/DEUR GEBLOKKEERD knipperen hetgeen betekent dat de deur geopend kan worden. Haal het wasgoed eruit en laat de deur op een kier staan zodat de trommel kan drogen. Schakel de wasmachine uit met de knop .

Tabel van de programma's

Soort stof en vuil	Programma's	Temperatuur	Wasmiddel		Wasverzachter	Duur van de cycle (min.)	Beschrijving wascycle
			Voorwas	Was			
Katoen							
Zeer vuile witte was (lakens, tafellakens enz.)	1	90°C	•	•	•	167	Voorwas, was, spoelingen, centrifuge tussendoor en einde
Zeer vuile witte was (lakens, tafellakens enz.)	2	90°C		•	•	152	Was, spoelingen, centrifuge tussendoor en einde
Zeer vuil wit en gekleurd wasgoed	3	60°C		•	•	158	Was, spoelingen, centrifuge tussendoor en einde
Zeer vuile witte en gekleurde fijne was	3	40°C		•	•	143	Was, spoelingen, centrifuge tussendoor en einde
Weinig vuil wit wasgoed en fijn gekleurd wasgoed (overhemden, truien enz.)	4	40°C		•	•	99	Was, spoelingen, centrifuge tussendoor en einde
Fijn gekleurd wasgoed weinig vuil	5	30°C		•	•	92	Was, spoelingen, centrifuge tussendoor en einde
Synthetisch							
Zeer vuile gekleurde stevige stoffen (babygoed enz.)	6	60°C		•	•	80	Was, spoelingen, kreukvrij of licht centrifuge
Kleurvaste stoffen (weinig vuil wasgoed)	6	40°C		•	•	71	Was, spoelingen, kreukvrij of licht centrifuge
Zeer vuile gekleurde stevige stoffen (babygoed enz.)	7	50°C		•	•	75	Was, spoelingen, kreukvrij of licht centrifuge
Licht gekleurde stoffen (ieder soort weinig vuil wasgoed)	8	40°C		•	•	71	Was, spoelingen, kreukvrij of licht centrifuge
Licht gekleurde stoffen (ieder soort weinig vuil wasgoed)	9	30°C		•	•	30	Was, spoelingen en licht centrifuge
Wolwas							
Wol	10	40°C		•	•	50	Was, spoelingen en licht centrifuge
Speciaal fijne stoffen (gordijnen, zijde, viscose enz.)	11	30°C		•	•	52	Was, spoelingen, kreukvrij of afpompen
PROGRAMMA ONDERDELEN							
Spoelen					•		Spoelingen en centrifuge
Licht spoelen					•		Spoelingen, kreukvrij of afpompen
Centrifugeren							Afpompen en energieke centrifuge
Licht centrifugeren							Afpompen en licht centrifuge
Afpompen							Afpompen

Note

Voor de beschrijving van de functie Kreukvrij zie blz. 55. De gevens in de tabel hebben een indicatieve waarde.

Speciaal programma

Dagelijkse was (programma 9 voor synthetische stoffen) is bedoeld voor het snel wassen van kledingstukken die weinig vuil zijn: het duurt slechts 30 minuten en bespaart dus elektriciteit en tijd. Met programma (9 met 30 °C) kunt u verschillende soorten stoffen tesamen wassen (behalve zijde en wol) met een lading van max. 3 kg. *Het beste is om hierbij vloeibaar wasmiddel te gebruiken.*

Instellen van de temperatuur

Door aan de TEMPERATUUR-knop te draaien stelt u de temperatuur van het wassen in (zie Tabel van de programma's op blz. 54).

De temperatuur kan verlaagd worden tot aan koud (❄).

NL

Funcities

De verschillende functies van de wasmachine zorgen voor een heldere en witte was zoals door u gewenst. Voor het activeren van de functies:

1. druk op de knop die bij de gewenste functie hoort, volgens de hiervolgende tabel;
2. het oplichten van de betreffende knop geeft aan dat de functie actief is.


N.B.: Snel knippen van de knop geeft aan dat de bijbehorende functie van het ingestelde programma niet gekozen kan worden.

Funcities	Effect	Notities voor het gebruik	Actief bij de programma's:
 Kort programma	Reduceert de duur van het wasprogramma met ongeveer 30%.		1, 2, 3, 4, 5, 6, 7, 8
 Extra Spoeling	Vermeerdert het resultaat van het spoelen.	Aangeraden voor volle lading wasgoed of met extra veel wasmiddel.	1, 2, 3, 4, 5, 6, 7, 8, Spoelen
1200-600	Vermindert de snelheid van de centrifuge.		Alle programma's behalve 11 en afpompen

Kreukvrij

Door deze functie in te stellen worden de programma's 6, 7, 8, 11, en licht spoelen (wasgoed blijft in water= Kreukvri).

Voor het afmaken van de cycle drukt u op de START/RESET knop.

Voor alleen waterafvoer zet u de knop op het symbool  en drukt u op de START/RESET knop.

Note: Om overmatige trillingen te vermijden verdeelt de automaat de lading voor het centrifugeren op een gelijkmatige manier. Dit gebeurt door de trommel voortdurend te laten draaien op een snelheid die iets hoger ligt dan de was-snelheid.

Als na herhaaldelijke pogingen, de lading nog steeds niet goed is gebalanceerd, dan zal de wasautomaat de centrifuge op een lagere snelheid uitvoeren dan was voorzien.

Als de lading zeer uit balans is, zal de wasautomaat een verdeling uitvoeren in plaats van een centrifuge.

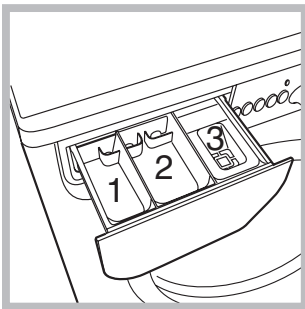
De herhaaldelijke balanceerpogingen kunnen de totale duur van de cyclus verlengen tot aan maximaal 10 minuten.

Wasmiddel en wasgoed

NL

Wasmiddellaatje

Een goed resultaat van de was hangt ook af van een juiste dosis wasmiddel: te veel maakt het wassen niet beter en blijft in het wasgoed hangen terwijl het slecht is voor het milieu.



Trek het laatje naar voren en giet het wasmiddel en/of de verdere toevoegingen erin als volgt.

bakje 1: voorwasmiddel (poeder)

bakje 2: wasmiddel (poeder of vloeibaar)

Het vloeibare wasmiddel wordt erin gegoten vlak voor de start.

bakje 3: toevoegingen (wasverzachter enz.)

De wasverzachter mag niet boven het roostertje uitkomen.

! Gebruik nooit middelen voor handwas aangezien die te veel schuim vormen.

Prepareren van het wasgoed

- Verdeel het wasgoed volgens:
 - het soort stof / het symbool op het etiket.
 - de kleuren: scheid gekleurd goed van de witte was.
- Maak de zakken leeg en controleer de knopen.
- Ga niet boven het aangegeven gewicht, berekend voor droog wasgoed:
 - stevige stoffen: max 5 kg
 - synthetische stoffen max 2,5 kg
 - fijne stoffen max 2 kg
 - Wol: max 1 kg

Hoeveel weegt het wasgoed?

- 1 laken 400-500 gr.
- 1 sloop 150-200 gr.
- 1 tafelkleed 400-500 gr.
- 1 badjas 900-1200 gr.
- 1 handdoek 150-200 gr.

Speciale stukken

Gordijnen: vouw de gordijnen nauwkeurig en doe ze in een kussensloop of net. Was ze apart zonder ooit de halve lading te overschrijden. Gebruik programma 11 dat automatisch de centrifuge uitsluit.

Donzen dekbedden en met dons gevulde windjacks: als de vulling uit ganzenveren of eendendons bestaat kunt u ze wassen in de wasmachine. Keer de stukken binnenste buiten en ga niet boven een max. lading van 2-3 kg; herhaal de spoeling een of twee keer en gebruik de delicate centrifuge.

Wol: Gebruik voor de beste resultaten een wasmiddel dat speciaal voor wol is bestemd en laad niet meer dan 1 kg wollen goed in de machine.

! De wasmachine is ontworpen en geproduceerd volgens de internationale veiligheidsnormen. Deze aanwijzingen worden voor uw eigen veiligheid gegeven en zij moeten met aandacht worden gelezen.

Algemene veiligheid

- Dit apparaat is gemaakt voor huishoudelijk gebruik, niet-professioneel, en zijn functies mogen niet veranderd worden.
- De wasmachine mag alleen door volwassen personen en volgens de instructies in dit boekje worden gebruikt.
- Raak de machine niet aan als u blootsvoets bent of met natte of vochtige handen of voeten.
- Trek de stekker nooit aan het snoer uit het stopcontact, maar altijd door de stekker aan te pakken.
- Open het wasmiddellaatje niet terwijl de machine in werking is.
- Raak het afvoerwater niet aan aangezien het nogal warm kan zijn.
- Forceer nooit de deur: het veiligheidsmechanisme, dat tegen per ongeluk openen beschermt, kan beschadigd worden.
- Probeer in geval van storingen nooit zelf interne mechanismen van de machine te repareren.
- Zorg ervoor dat kleine kinderen niet te dicht bij de machine komen als deze in werking is.
- De glazen deur kan heet worden.
- Als de machine verplaatst moet worden doe dit dan met twee of drie personen en met grote voorzichtigheid. Nooit alleen want de machine is zwaar.
- Voordat u het wasgoed in de machine laadt, controleer dat hij leeg is.

Het afvoeren

- Het afvoeren van het verpakkingsmateriaal: houd u zich aan de plaatselijke normen zodat het materiaal gerecycled kan worden.
- De Europese Richtlijn 2002/96/EC over Vernietiging van Elektrische en Electronische Apparatuur, vereist dat oude huishoudelijke elektrische apparaten niet mogen vernietigd via de normale ongesorteerde afvalstroom. Oude apparaten moeten apart worden ingezameld om zo het hergebruik van de gebruikte materialen te optimaliseren en de negatieve invloed op de gezondheid en het milieu te reduceren. Het symbool op het product van de "afvalcontainer met een kruis erdoor" herinnert u aan uw verplichting, dat

wanneer u het apparaat vernietigt, het apparaat apart moet worden ingezameld.

Consumenten moeten contact opnemen met de lokale autoriteiten voor informatie over de juiste wijze van vernietiging van hun oude apparaat.

Bezuiniging en bescherming van het milieu

Maximale reiniging

Als er weinig water door de glazen deur te zien is komt dat doordat met de nieuwe Indesit technologie minder dan de helft water voldoende is voor maximum reinheid van de was: een doel dat is bereikt ten gunste van de milieu-bescherming.

Bezuinigen op wasmiddel, water, energie en tijd

- Teneinde geen energiebronnen te verkwisten moet de machine altijd met maximum lading worden gebruikt. U spaart 50% energie met een volle lading i.p.v. twee half volle ladingen.
- Voorwassen is alleen nodig voor erg vuil wasgoed. Door dit te vermijden bespaart u wasmiddel, tijd, water en ongeveer 5 tot 15% energie.
- Door vlekken met een ontvlekkingsmiddel te behandelen of in de week te zetten kunt u met minder hoge temperaturen wassen. Een programma op 60°C in plaats van op 90°C of op 40°C in plaats van 60°C zorgt voor een besparing van 50% aan energie.
- Doseer het wasmiddel op basis van de hardheid van het water, de vuilheidsgraad en de hoeveelheid wasgoed, zo vermijdt u onnodig energieverbruik en beschermt u het milieu. ook al zijn de wasmiddelen biologisch afbreekbaar, toch bevatten ze elementen die het evenwicht in de natuur verstoren. Bovendien moet u zoveel mogelijk wasverzachters vermijden.
- Door zoveel mogelijk te wassen met goedkope stroomtarieven (s' nachts) werkt u mee aan het reduceren van de belasting van de elektrische centrale.
- Als u na het wassen het wasgoed in een dryer wilt drogen, kunt u een hoge snelheid centrifuge kiezen. Weinig water in het wasgoed spaart tijd en energie bij het droogprogramma.

Onderhoud

NL

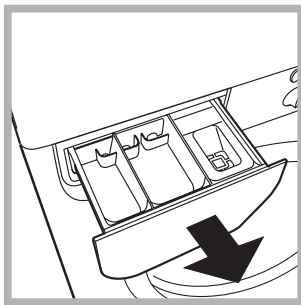
Afsluiten van water en stroom

- Doe de kraan dicht na iedere wasbeurt. Hiermee reduceert u de kans op lekkage.
- Sluit altijd eerst de stroom af voordat u de wasmachine gaat schoonmaken en gedurende onderhoudswerkzaamheden.

Schoonmaken van de wasmachine

De buitenkant en de rubber onderdelen kunnen met een spons en lauw sopje worden schoongemaakt. Nooit schuurmiddelen of oplosmiddelen gebruiken!

Het wasmiddellaatje schoonmaken



Verwijder het laatje door het op te lichten en naar voren te trekken (zie afbeelding). Was het onder stromend water: dit moet u regelmatig doen.

Reinigen van deur en trommel

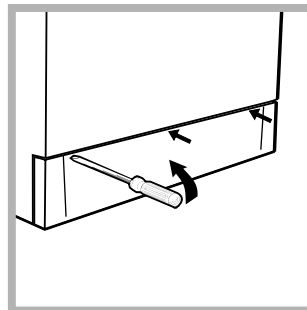
- Laat de deur altijd op een kier staan om muffe lucht te vermijden.

Reinigen van de pomp

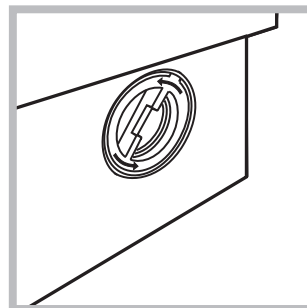
De wasmachine is voorzien van een zelfreinigende pomp en hoeft dus niet te worden schoongemaakt. Het kan echter gebeuren dat kleine voorwerpen (geldstukken, knopen) in het voorvakje terecht komen dat de pomp beschermt en zich aan de onderkant bevindt.

! Verzeker u ervan dat het wasprogramma klaar is en trek de stekker uit het stopcontact.

Toegang tot het paneel:



1. verwijder het paneeltje aan de voorkant van de wasmachine met behulp van een schroevendraaier (zie afbeelding);



2. draai de deksel eraf, tegen de klok in draaiend (zie afbeelding); het is normaal dat er een beetje water uit komt;

3. maak de binnenkant goed schoon;
4. schroef de deksel er weer op;
5. monteer het paneeltje weer, met de haakjes in de betreffende openingen voordat u het paneeltje tegen de machine aan drukt.

Controleer de slang van de watertoevoer

Controleer minstens eens per jaar de slang van de watertoevoer. Als er barstjes in zitten moet hij vervangen worden: gedurende het wassen kan de hoge waterdruk onverwachts scheurtjes veroorzaken.

! Nooit reeds eerder gebruikte slangen gebruiken.

Het kan gebeuren dat de machine niet werkt. Voordat u de installateur opbelt (zie blz. 60), controleert u of het een storing betreft die gemakkelijk te verhelpen is met behulp van de volgende lijst.

Storingen:

De wasmachine gaat niet aan.

Het wasprogramma start niet.

De wasmachine neemt geen water.

De wasmachine blijft water aan- en afvoeren.

De wasmachine pompt het water niet af of centrifugeert niet.


De machine trilt erg tijdens het centrifugeren.

De wasmachine lekt.

Het controlelampje AAN/DEUR GEBLOKKEERD knippert snel tegelijkertijd met minstens één ander controlelampje.

Er ontstaat teveel schuim.

Mogelijke oorzaken / Oplossing:

- De stekker is niet in het stopcontact of niet ver genoeg ingestoken om contact te maken.
 - Er is geen stroom.
 - De deur is niet goed dicht.
 - De knop  is niet ingedrukt.
 - De START/RESET knop is niet ingedrukt.
 - De waterkraan is niet open.
 - De watertoevoerslang is niet aangesloten aan de kraan.
 - De slang ligt gekneld.
 - De kraan is niet open.
 - In huis mankeert het water.
 - Er is geen voldoende druk.
 - De START/RESET knop is niet ingedrukt.
 - De afvoerslang is niet geïnstalleerd op 65 tot 100 cm afstand van de grond (zie blz. 51).
 - Het uiteinde van de afvoerslang ligt onder water (zie blz. 51).
 - De afvoer in de muur heeft geen ontluchting.
- Als na deze controle het probleem niet is opgelost, doet u de waterkraan dicht, de machine uit en belt u de installateur. Als u op een van de hoogste verdiepingen van een flatgebouw woont kan zich een probleem met het hevelen voordoen, waarbij de machine voortdurend water aan- en afvoert. Om deze storing te verhelpen bestaan er speciale in de handel verkrijgbare ventielen.
- Het programma voorziet niet in afvoer: bij enkele programma's moet dit met de hand worden gestart (zie blz. 54).
 - De optie 'Kreukvrij' is actief: voor het afmaken van het programma drukt u op de START/RESET knop (zie blz. 55).
 - De afvoerslang ligt gekneld (zie blz. 51).
 - De afvoerleiding is verstopt.
 - De trommel is bij het installeren niet op de juiste wijze ontgrendeld (zie blz. 50).
 - De wasmachine staat niet recht (zie blz. 50).
 - De wasmachine staat te nauw tussen meubel en muur (zie blz. 50).
 - De slang van de watertoevoer is niet goed aangeschroefd (zie blz. 50).
 - Het wasmiddellaatje is verstopt (voor schoonmaken zie blz. 58).
 - De afvoerslang is niet goed bevestigd (zie blz. 51).
 - Doe de automaat uit en haal de stekker uit het stopcontact. Wacht circa 1 minuut en doe hem weer aan.
Als de storing voortzet, dient u de Servicedienst in te schakelen.
 - Het wasmiddel is niet bedoeld voor wasmachines (er moet "voor wasmachine", "handwas en wasmachine", of dergelijke op staan).
 - De dosering is te veel.

Voordat u er de installateur bijhaalt:

- Kijk eerst even of u het probleem zelf kunt oplossen (*zie blz. 59*);
- Start het programma om te controleren of de storing is verholpen;
- Is dit niet het geval dan neemt u contact op met de bevoegde dichtsbijzijnde Technische Dienst via het telefoonnummer dat op het garantiebewijs/gebruiksaanwijzing staat.

! Nooit een niet-bevoegde installateur erbij halen.

Vermeld:

- het soort storing;
- het model van de machine (Mod.);
- het serienummer (S/N).

Deze informatie vindt u op het typeplaatje aan de achterkant van de wasmachine.