

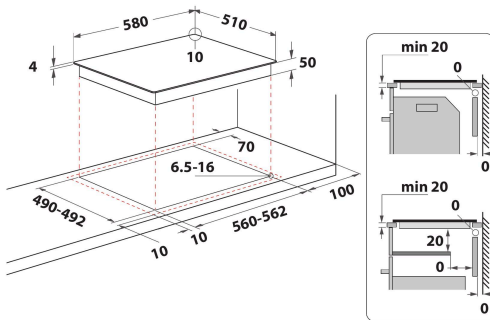
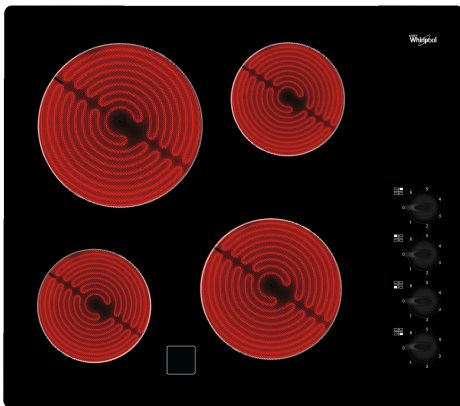
# AKM 9010/NE

12NC: 859990964250

GTIN (EAN) code: 8003437829536

**Whirlpool**

SENSING THE DIFFERENCE



## MAIN FEATURES

|                                       |            |
|---------------------------------------|------------|
| Product group                         | Hob        |
| Construction type                     | Built-in   |
| Type of control                       | Mechanical |
| Type of control settings              | -          |
| Number of gas burners                 | 0          |
| Number of electric cooking zones      | 4          |
| Number of electric plates             | 0          |
| Number of radiant plates              | 4          |
| Number of halogen plates              | 0          |
| Number of induction plates            | 0          |
| Number of electric warming zones      | 0          |
| Location of control panel             | Lateral    |
| Basic surface material                | Glass      |
| Main colour of product                | Crno       |
| Electrical connection rating (W)      | 6200       |
| Gas connection rating (W)             | 0          |
| Gas type                              | N/A        |
| Current (A)                           | 27         |
| Voltage (V)                           | 230        |
| Frequency (Hz)                        | 50/60      |
| Length of Electrical Supply Cord (cm) | 0          |
| Plug type                             | Ne         |
| Gas connection                        | N/A        |
| Width of the product                  | 580        |
| Height of the product                 | 50         |
| Depth of the product                  | 510        |
| Minimum niche height                  | 50         |
| Minimum niche width                   | 560        |
| Niche depth                           | 490        |
| Net weight (kg)                       | 8          |
| Automatic programmes                  | Ne         |

## TECHNICAL FEATURES

|                         |          |
|-------------------------|----------|
| Power on indicator      | Ne       |
| Number of indicators    | 4        |
| Type of regulation      | Radiant  |
| Type of lid             | Without  |
| Residual heat indicator | Separate |
| Main on/off switch      | Yes      |
| Safety device           | -        |
| Timer                   | Ne       |

## ENERGY LABEL

Energy input

Electric