



ENTM xxxxx V (TK)
ENTMH xxxxx V (TK)
ENTMH xxxxx x V (TK)

GB

English

Operating Instructions 2-DOOR FRIDGE

Contents

Operating Instructions, 1
Assistance, 2
Description of the appliance, 3
Reversible doors, 4
Installation, 5
Start-up and use, 6
Maintenance and care, 6
Precautions and tips, 7
Troubleshooting, 8

TR

Türkçe

Kullanım talimatları 2 KAPILI SOĞUTUCU

İçindekiler

Kullanım talimatları, 1
Teknik Servis, 2
Cihazın tanımı, 3
Kapıların açılış yönünün değiştirilmesi, 4
Montaj, 9
Çalıştırma ve kullanma, 10
Bakım ve temizlik, 10
Önlemler ve öneriler, 11
Arıza ve onarım, 12

GB

Assistance

Before calling for Assistance:

- Check if the malfunction can be solved on your own (see Troubleshooting).
- After all the checks, the appliance still does not operate or the problem persists, call the nearest Service Centre

Communicating:

- type of malfunction
- appliance model (Mod.)
- serial number (S/N)

This information can be found on the data plate located on the bottom left side of the refrigerator compartment.

Never call on unauthorized technicians and always refuse spare parts which are not originals.



Üretici Firma:

Whirlpool Beyaz Esya Sanayi ve Ticaret A.Ş.
Organize Sanayi Bölgesi
45030 / Manisa
Tel: (0236) 226 15 00
Faks: (0236) 233 16 52

Türkiye Genel Dağıtıcısı:

Whirlpool Ev Aletleri Pazarlama ve Ticaret A.Ş.
Balmumcu Cad. Karahasan Sok.
No: 11, 34349 – Balmumcu Beşiktaş – İstanbul
Tel: (0212) 355 53 00
Faks: (0212) 212 95 59

Satış Sonrası Hizmetler:

Whirlpool Beyaz Esya Sanayi ve Ticaret A.Ş.
Balmumcu Cad. Karahasan Sok.No: 11,
34349 – Balmumcu Beşiktaş – İstanbul
Tel: (0212) 355 53 00

TR

Teknik Servis

Teknik Servis ile irtibata geçmeden önce:

- Servis yapmadan çözülebilecek bir arıza olup olmadığını kontrol ediniz (Arıza ve Onarım bölümüne bakınız).
- Sonuçsuz olması durumunda, en yakın Teknik Servis ile irtibata geçiniz.

Aşağıdaki bilgileri bildiriniz:

- arıza tipi
- cihaz modeli (Mod.)
- seri numarası (S/N)

Bu bilgiler, soğutucu bölümü içinde aşağıda solda bulunan teknik veriler etiketi üzerinde bulunmaktadır.

Kesinlikle sadece yetkili teknik elemanlara başvurunuz ve her zaman orijinal yedek parçaları kullanınız.

Cihazın ömrü 10 yıldır. (Ürünün fonksiyonunu yerine getirebilmesi için gerekli yedek parça bulundurma süresi).

GB - model
TR - model

Mod. RG 2330	TI	Cod. 93139180000	S/N 704211801
230-240 V-	Hz	150 W	W Fuse A Max 15
Total 340	75		Freez. Capac Class
Gross Bruto Brut	Gross Bruto Brut	Net Util Utilite	Gross Bruto Brut
			Poder de Cong Class N
			kg/24 h 4,0 Classe
Compr. Syst. R 134 a	Test HIGH-235		
Kompr. kg 0,090	P.S-I LOW 140		
Made in Italy	13918		

GB - serial number
TR - seri numarası

GB

Description of the appliance

Overall view

The instructions contained in this manual are applicable to different model refrigerators. The diagrams may not directly represent the appliance purchased. For more complex features, consult the following pages.

- 1 Levelling **FEET**
- 2 **FRUIT** and **VEGETABLE** bin
- 3 **SHELVES***
- 4 **TEMPERATURE REGULATING** Knob
- 5 **AIR***
- 6 **FREEZER** and **STORAGE** compartment
- 7 Removable multipurpose **SHELVES***
- 8 **BOTTLE** shelf

* Varies by number and/or position, available only on certain models.

TR

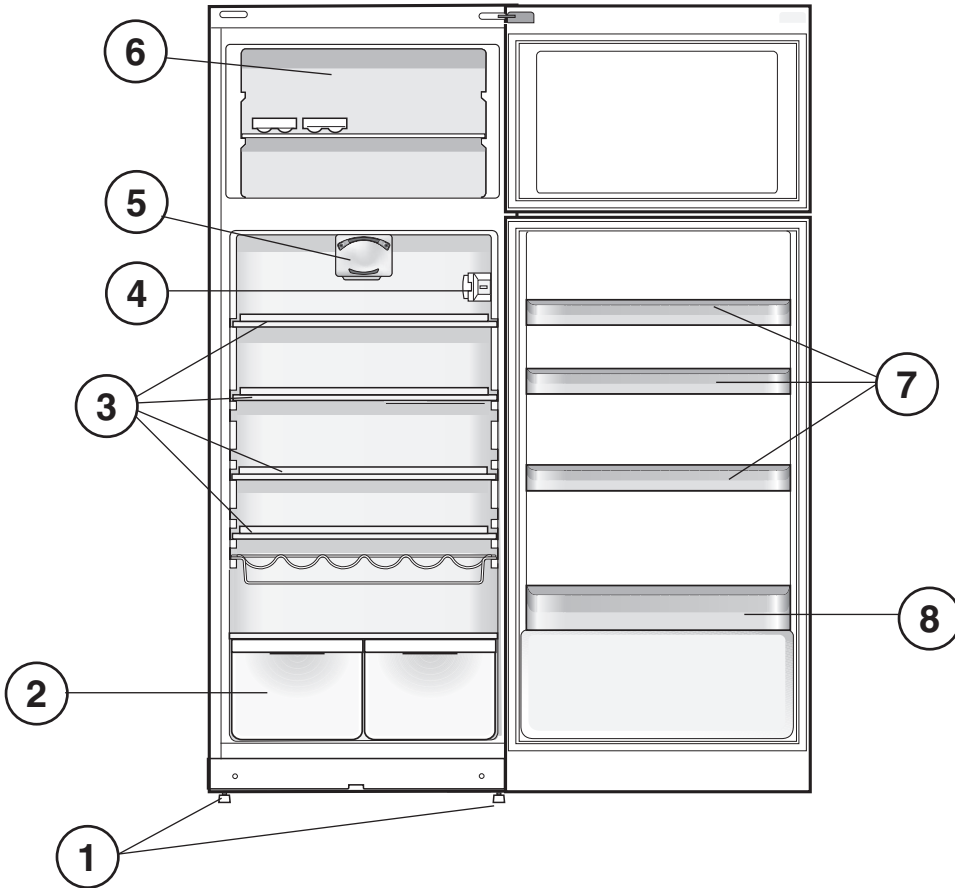
Cihazın tanımı

Genel görünüm

Kullanım talimatları birkaç model için geçerli olduğu için şekil satın aldığınız cihazda olmayabilecek ayrıntıları gösterebilir. Sonraki sayfalarda en karışık cisimler açıklanmıştır.

- 1 Ayarlanabilir **AYAK**
- 2 **MEYVE** ve **SEBZE** çekmecesini
- 3 **RAF***
- 4 **ISININ AYAR** Düğmesi
- 5 **AIR***
- 6 **DONDURMA** ve **SAKLAMA** bölümü
- 7 Çıkarılabilen **KAPI RAFI***
- 8 **ŞİŞE** Rafı

* Sayısı ve/veya pozisyonu değişebilir. Sadece bazı modellerde mevcuttur.



GB

Reversible doors

If it is necessary to change the direction in which the doors open, please contact the Technical Assistance Centre.

TR

Kapıların açılış yönünün deęiştirilmesi

Kapıların açılış yönünün deęiştirilmesi gerekirse Teknik Servise başvurunuz.

Installation

! Before placing your new appliance into operation please read these operating instructions carefully. They contain important information for safe use, for installation and for care of the appliance.

! Please keep these operating instructions for future reference. Pass them on to possible new owners of the appliance.

Positioning and connection

Positioning

1. Place the appliance in a well-ventilated humidity-free room.
2. Do not obstruct the rear fan grills. The compressor and condenser give off heat and require good ventilation to operate correctly and save energy.
3. Leave a space of at least 10 cm between the top part of the appliance and any furniture above it, and at least 5 cm between the sides and any furniture/side walls.
4. Ensure the appliance is away from any sources of heat (direct sunlight, electric stove, etc.).
5. In order to maintain the correct distance between the appliance and the wall behind it, fit the spacers supplied in the installation kit, following the instructions provided.

Levelling

1. Install the appliance on a level and rigid floor.
2. If the floor is not perfectly horizontal, adjust the refrigerator by tightening or loosening the front feet.

Electrical connections

After the appliance has been transported, carefully place it vertically and wait at least 3 hours before connecting it to the electricity mains. Before inserting the plug into the electrical socket ensure the following:

- The appliance is earthed and the plug is compliant with the law.
- The socket can withstand the maximum power of the appliance, which is indicated on the data plate located on the bottom left side of the fridge (e.g. 150 W).
- The voltage must be in the range between the values indicated on the data plate located on the bottom left side (e.g. 220-240V).
- The socket is compatible with the plug of the appliance. If the socket is incompatible with the plug, ask an authorised technician to replace it (see Assistance). Do not use extension cords or multiple sockets.

! Once the appliance has been installed, the power supply cable and the electrical socket must be easily accessible.

! The cable must not be bent or compressed.

! The cable must be checked regularly and replaced by authorised technicians only (see Assistance).

! The manufacturer declines any liability should these safety measures not be observed.

! Installation of the device will be carried out by authorized service.

Start-up and use

Starting the appliance

! Before starting the appliance, follow the installation instructions (see Installation).

! Before connecting the appliance, clean the compartments and accessories well with lukewarm water and bicarbonate.

1. Insert the plug into the socket and ensure that the internal light illuminates.
2. Turn the TEMPERATURE ADJUSTMENT knob to an average value. After a few hours you will be able to put food in the refrigerator.

Setting the temperature

The temperature inside the refrigerator compartment automatically adjusts itself according to the position of the TEMPERATURE ADJUSTMENT knob.

1 = warmest

5 = coldest

We recommend, however, a medium position.

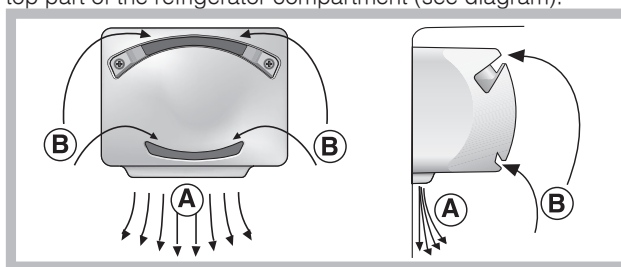
The cooling section of the refrigerator is located inside the back wall of the refrigerator compartment for increased space and improved aesthetics. During operation, the back wall will be covered in frost or water droplets depending on whether the compressor is operating or paused. Do not worry, the refrigerator is functioning normally.

If the TEMPERATURE ADJUSTMENT knob has been set on high values with large quantities of food and with a high ambient temperature, the appliance can operate continuously, resulting in excessive frost formation and excessive energy consumption: compensate for this by shifting the knob towards lower values (defrosting will occur automatically). In static appliances, the air circulates in a natural way: the colder air tends to move downwards as it is heavier. The food should be stored as follows:

Food	Arrangement inside the refrigerator
Fresh fish and meat	Above the fruit and vegetable bins
Fresh cheese	Above the fruit and vegetable bins
Cooked food	On any shelf
Salami, loaves of bread, chocolate	On any shelf
Fruit and vegetables	In the fruit and vegetable compartment bins
Eggs	On the shelf provided
Butter and margarine	On the shelf provided
Bottles, drinks, milk	On the shelves provided

AIR *

It is recognizable due to the presence of the mechanism on the top part of the refrigerator compartment (see diagram).



AIR maximises air circulation, improving the efficiency of the evaporator and helping to achieve the optimal temperature inside the refrigerator as quickly as possible each time it has been opened. The blown air (A) is cooled when it comes into contact with the cold wall, whereas the hotter air (B) is sucked up (see diagram).

If the TEMPERATURE ADJUSTMENT knob has been set on high values with large quantities of food and with a high ambient temperature, the appliance can operate continuously, resulting in excessive frost formation and excessive energy consumption: compensate for this by shifting the knob towards lower values (defrosting will occur automatically).

Using the refrigerator to its full potential

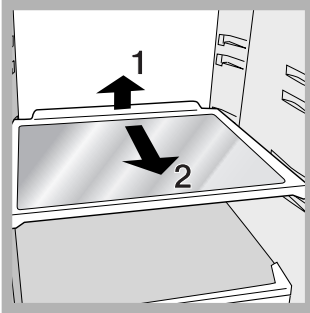
- Place only cold or lukewarm foods in the compartment, not hot foods (see Precautions and tips).
- Remember that cooked foods do not last longer than raw foods.

* Varies by number and/or position, available only on certain models.

- Do not store liquids in open containers. They will increase humidity in the refrigerator and cause condensation to form.

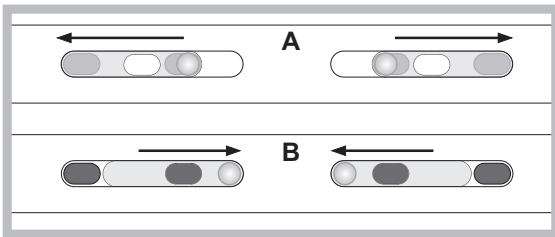
SHELVES: with or without grill.

Due to the special guides the shelves are removable and the height is adjustable (see diagram), allowing easy storage of large containers and food. Height can be adjusted without complete removal of the shelf.



FRUIT and VEGETABLE bin*

The salad crispers fitted inside the fridge have been specially designed for the purpose of keeping fruit and vegetables fresh and crisp. Open the humidity regulator (position **B**) if you want to store food in a less humid environment like vegetable, or close it (position **A**) to store food in a more humid environment like fruit.



TEMPERATURE* Indicator light: to identify the coldest area in the refrigerator.

- Check that OK appears clearly on the indicator light (see diagram).



- If the word "OK" does not appear it means that the temperature is too high: adjust the REFRIGERATOR OPERATION knob to a higher (colder) position and wait approximately 10 hours until the temperature has stabilised.
- Check the indicator light again: if necessary, readjust it following the initial process. If large quantities of food have been added or if the refrigerator door has been opened frequently, it is normal for the indicator not to show OK. Wait at least 10 hours before adjusting the REFRIGERATOR OPERATION knob to a higher setting.

Using the freezer to its full potential

- Do not re-freeze food that is defrosting or that has already been defrosted. These foods must be cooked and eaten (within 24 hours).
- Fresh food that needs to be frozen must not come into

contact with food that has already been defrosted.

Fresh food must be stored above the grill in the freezer compartment and if possible be in direct contact with the walls (side and rear), where the temperature drops below -18°C and guarantees rapid freezing.

- Do not place glass bottles which contain liquids, and which are corked or hermetically sealed in the freezer because they could break.
- The maximum quantity of food that may be frozen daily is indicated on the plate containing the technical properties located on the bottom left side of the refrigerator compartment (for example: Kg/24h: 4)

! Do not open the door during freezing.

! If there is a power cut or malfunction, do not open the freezer door. This will help maintain the temperature inside the freezer, ensuring that foods are conserved for at least 9 -14 hours.

! If the room temperature drops below 14°C for an extended period of time, the ideal temperature will not be reached in the freezer compartment and food preservation will be reduced.

Maintenance and care

Switching the appliance off

During cleaning and maintenance it is necessary to disconnect the appliance from the electricity supply. It is not sufficient to set the temperature adjustment knobs on ● (appliance off) to eliminate all electrical contact.

Cleaning the appliance

- The external and internal parts, as well as the rubber seals may be cleaned using a sponge that has been soaked in lukewarm water and bicarbonate of soda or neutral soap. Do not use solvents, abrasive products, bleach or ammonia.
- The removable accessories may be soaked in warm water and soap or dishwashing liquid. Rinse and dry them carefully.
- The back of the appliance may collect dust which can be removed by delicately using the hose of a vacuum cleaner set on medium power. The appliance must be switched off and the plug must be pulled out before cleaning the appliance.

Avoiding mould and unpleasant odours

- The appliance is manufactured with hygienic materials which are odour free. In order to maintain an odour free refrigerator and to prevent the formation of stains, food must always be covered or sealed properly.
- If you want to switch the appliance off for an extended period of time, clean the inside and leave the doors open.

Defrosting the appliance

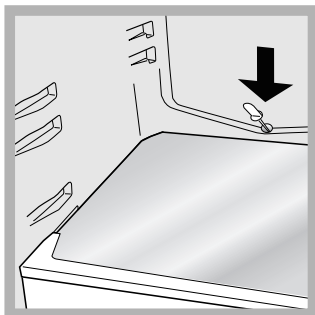
! Follow the instructions below.

Do not speed up the defrosting process by using any devices or tools other than the scraper provided, you may damage the refrigeration circuit.

Defrosting the refrigerator compartment

The refrigerator has an automatic defrosting function: water is ducted to the back of the appliance by a special discharge outlet (see diagram) where the heat produced by the compressor causes it to evaporate. It is necessary to clean the discharge hole regularly so that the water can flow out easily.

* Varies by number and/or position, available only on certain models.



Defrosting the freezer compartment

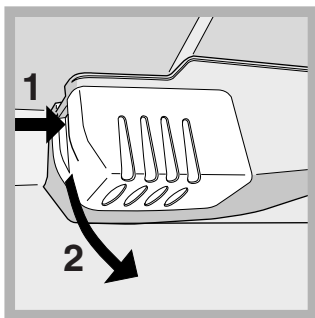
If the frost layer is greater than 5 mm, it is necessary to defrost manually:

1. Set the TEMPERATURE ADJUSTMENT knob to the position ●.
2. Wrap frozen foods in newspaper and place them in another freezer or in a cool place.
3. Leave the door open until the frost has melted completely. This can be made easier by placing containers with lukewarm water in the freezer compartment.
4. Clean and dry the freezer compartment carefully before switching the appliance on again.
5. Wait for approximately 2 hours, i.e. until the ideal storage conditions have been restored, before placing food in the freezer compartment.

Replacing the light bulb

To replace the light bulb in the refrigerator compartment, pull out the plug from the electrical socket. Follow the instructions below.

Access the light bulb by removing the cover as indicated in the diagram. Replace it with a similar light bulb within the power range indicated on the cover (15W or 25W).



Precautions and tips

! The appliance was designed and manufactured in compliance with international safety standards. The following warnings are provided for safety reasons and must be read carefully.



This appliance complies with the following Community Directives:
 - 73/23/EEC of 19/02/73 (Low Voltage) and subsequent amendments;
 - 89/336/EEC of 03.05.89 (Electromagnetic Compatibility) and subsequent amendments;
 - 2002/96/CE..

Handling and transportation warnings

- Make sure the packaging during transportation completely closed,
- Do the handling and shipping processes with original packaging.
- Damage to the product during transport and breakdown does not occur, hitting, shock, drop and so on. Pay attention to the damage to the product due to external factors.
- Moisture that can damage the packaging, water, etc. Protect against external factors.
- Installation of the device will be carried out by authorized service

General safety

- The appliance was designed for domestic use inside the home and is not intended for commercial or industrial use.
- The appliance must be used to store and freeze food products by adults only and according to the instructions in this manual.
- The appliance must not be installed outdoors, even in covered areas. It is extremely dangerous to leave the appliance exposed to rain and storms.
- Do not touch the appliance with bare feet or with wet or moist hands and feet.
- Do not touch the internal cooling elements: this could cause skin abrasions or frost/freezer burns.
- When unplugging the appliance always pull the plug from the mains socket, do not pull on the cable.
- Before cleaning and maintenance, always switch off the appliance and disconnect it from the electrical supply. It is not sufficient to set the temperature adjustment knobs on ● (appliance off) to eliminate all electrical contact.
- In the case of a malfunction, under no circumstances should you attempt to repair the appliance yourself. Repairs carried out by inexperienced persons may cause injury or further malfunctioning of the appliance.
- Do not use any sharp or pointed utensils or electrical equipment - other than the type recommended by the manufacturer - inside the frozen food storage compartments.
- Do not put ice cubes taken directly from the freezer into your mouth.
- This appliance is not intended for use by persons (including children) with reduced physical, sensory or lack of experience and knowledge unless they have been given supervision or instruction concerning use of the appliance by a person responsible for their safety. Children should be supervised to ensure that they do not play with the appliance.
- Keep packaging material out of the reach of children! It can become a choking or suffocation hazard.

Disposal

- Observe local environmental standards when disposing packaging material for recycling purposes.
- The European Directive 2002/96/EC on Waste Electrical and Electronic Equipment (WEEE), requires that old household electrical appliances must not be disposed of in the normal unsorted municipal waste stream. Old appliances must be collected separately in order to optimise the recovery and recycling of the materials they contain and reduce the impact on human health and the environment. The crossed out "wheeled bin" symbol on the product reminds you of your obligation, that when you dispose of the appliance it must be separately collected. Consumers should contact their local authority or retailer for information concerning the correct disposal of their old appliance.

Respecting and conserving the environment

- Install the appliance in a fresh and well-ventilated room.

Ensure that it is protected from direct sunlight and do not place it near heat sources.

- Try to avoid keeping the door open for long periods or opening the door too frequently in order to conserve energy.
- Do not fill the appliance with too much food: cold air must circulate freely for food to be preserved properly. If circulation is impeded, the compressor will work continuously.
- Do not place hot food directly into the refrigerator. The internal temperature will increase and force the compressor to work harder and will consume more energy.
- Defrost the appliance if ice forms (see Maintenance). A thick layer of ice makes cold transference to food products more difficult and results in increased energy consumption.
- Regularly check the door seals and wipe clean to ensure they are free of debris and to prevent cold air from escaping (see Maintenance).

Troubleshooting

If the appliance does not work, before calling for Assistance (see Assistance), check for a solution from the following list.

The internal light does not illuminate.

- The plug has not been inserted into the electrical socket, or not far enough to make contact, or there is no power in the house.

The refrigerator and the freezer do not cool well.

- The doors do not close properly or the seals are damaged.
- The doors are opened too frequently.
- The TEMPERATURE ADJUSTMENT knob is not in the correct position.
- The refrigerator or the freezer have been over-filled.
- The atmospheric temperature of the area surrounding the appliance is lower than 14°C.

The food inside the refrigerator is beginning to freeze.

- The TEMPERATURE ADJUSTMENT knob is not in the correct position.
- The food is in contact with the back inside wall of the refrigerator.

The motor runs continuously.

- The door is not closed properly or is continuously opened.
- The outside ambient temperature is very high.
- The thickness of the frost exceeds 2-3 mm (see Maintenance).

The appliance makes a lot of noise.

- The appliance has not been installed on a level surface (see Installation).
- The appliance has been installed between cabinets that vibrate and make noise.
- The internal refrigerant makes a slight noise even when the compressor is off. This is not a defect, it is normal.

Some of the external parts of the refrigerator become hot.

- These raised temperatures are necessary in order to avoid the formation of condensation on certain parts of the product.

The back wall of the refrigerator unit is covered in frost or droplets of water

- This shows the appliance is operating normally.

There is water at the bottom of the refrigerator.

- The water discharge hole is blocked (see Maintenance).

Condensation on the inner walls of refrigerator

- Hot and humid weather increases condensation. Doors might have been opened frequently or left ajar for a long time. Please make sure that the doors are completely closed. It is normal and not a fault.

Condensation on the outside of the refrigerator or between the doors

- Humid weather increases condensation. When the humidity is less, condensation will disappear. It is normal and not a fault.

Bad odour inside the refrigerator

- Inside of the refrigerator must be cleaned. Food must be kept in suitable containers and/or packaging. It is normal and not a fault.

Consumers' Optional Rights

If the commodity is understood to be defective under article 11 of Consumer Protection Law, consumer shall be entitled to optional rights (i) to notify the seller that he is ready to return sold item and renege on contract, (ii) to keep sold item and request rebate from sales price pro rata to defect, (iii) to request free of charge repair of sold item, all expenses at seller's account, if no excessive expense is required, (iv) if possible, to request replacement of sold item with an identical item free of defects. Rights of requesting free repair or replacement of the commodity with identical item free of defects may also be exercised against manufacturer or importer.

If free repair right is chosen, the commodity shall be repaired or caused to be repaired without demanding any fee under the names of labor cost, price of replaced part or under any name whatsoever.

In the event free repair right is exercised, if the commodity fails again within warranty term, maximum period needed for repair is exceeded, authorized service station, vendor, manufacturer or importer determines with a report that repair is not possible; refund of commodity price, price discount pro rata to defect or if possible replacement of the commodity with identical item free of defects (provided that exceptions at legislation are reserved) may be demanded.

In cases when right of reneging on the contract or discount at price pro rata to defect is selected, the vendor shall promptly return entire commodity price or discount amount on the price to consumer. When right of replacing the commodity with an identical item free of defects is chosen, vendor or manufacturer shall fulfill this demand within maximum thirty business days from notification of such demand."

Usage Error

Failures arising out of employment of device against matters set forth at owner's manual are excluded from warranty scope."

Consumer Complaints

Consumer may file applications regarding complaints and objections for problems that may arise to consumer courts and consumer arbitration committees."

Montaj

!! Bu kitapçığı gerektiği her an danışabilemeniz için özenle saklayınız. Satış, devir yada taşınma halinde, çalışma sistemi ve bununla ilgili uyarılar konusunda yeni sahibinin bilgilenebilmesi için cihazla birlikte kalmasını sağlamanız gerekmektedir.

! Talimatları dikkatlice okuyunuz: montaj, kullanım ve güvenliğe ilişkin önemli bilgiler içermektedir.

Cihazın yerleştirilmesi ve bağlanması

Konumlandırma

1. Cihazı nemsiz ve havadar bir yere yerleştiriniz.
2. Arkadaki havalandırma ızgaralarını kapatmayınız: kompresör ve kondenser sıcak yapar, bu yüzden cihazın iyi çalışmasını ve tüketiminin azalmasını sağlamak için bunların duvara dayanmaması gerekir.
3. Cihazın üst kısmı ile üstüne konacak mobilya arasında en azından 10 cm, mobilya/duvar yanına yerleştirilmesi durumunda ise en az 5 cm açıklık bırakınız
4. Cihazı ısı kaynaklarından uzak tutunuz (ör. direkt güneş ışığı, elektrik ocak).
5. Ürünün arka kısmıyla duvar arasındaki mesafeyi sağlamak için kullanım talimatlarına uygun olarak monte etme kitinde mevcut olan uzaklaştırıcı çubukları monte ediniz.

Cihazın aynı seviyeye getirilmesi

1. Buzdolabınızı düz ve sert bir zemine yerleştiriniz.
2. Zemin düz olmaması durumunda ayarlanabilir ayakları gevşeterek veya sıkarak cihazın tamamen zemine oturmasını sağlayınız.

Elektrik bağlantısı

Taşınmadan sonra cihazı dik olarak yerleştiriniz ve elektrik tesisatına bağlamak için en az 3 saat bekleyiniz. Fişi prize takmadan evvel aşağıdaki hususlara dikkat ediniz:

- Prizin topraklamasının yürürlükteki normlara uygun olması;
- elektrik prizi, soğutucu bölmesinin sol tarafının aşağısında bulunan özellik etiketinde belirtilen maksimum yükü taşıyabilmelidir;
- besleme gerilimi soğutucu bölmesinin sol tarafının aşağısında bulunan özellik etiketinde belirtilen değer sınırları kapsamında olmalıdır (ör. 220-240 V);
- Cihazın fişinin prize uyumlu olması. Aksi takdirde cihazın fişinin değiştirilmesi için yetkili Servise (Teknik Servis bölümüne bakınız) başvurmanız gerekir, uzatma kablosu ya da çoklu priz kullanmayınız.

! Cihaz monte edildikten sonra elektrik kablosu ve priz kolay erişilebilecek yerlerde olmalıdır.

! Kablo kıvrımlara, bükülmelere ve ezilmelere maruz kalmamalıdır.

! Kablo periyodik olarak kontrol edilmeli ve sadece yetkili personel tarafından değiştirilmelidir. (bkz. Teknik Servis)

! Bu kurallara uyulmaması halinde firma hiç bir sorumluluk kabul etmemektedir.

! Cihazın montajı yetkili servis tarafından gerçekleştirilecektir.

Çalıştırma ve kullanım

Cihazın çalıştırılması

! Cihazı çalıştırmadan önce, montaj hakkında verilen talimatları uygulayınız (Montaj bölümüne bakınız).

! Cihazı elektrik şebekesine bağlamadan önce, tüm bölmeleri ve aksesuarları bikarbonat kullanarak ılık su ile iyice temizleyiniz.

1. Cihazın fişini elektrik prizine takınız ve iç lambanın yandığından emin olunuz.
2. ISININ AYAR düğmesini orta bir değere ayarlayınız. Birkaç saat geçtikten sonra buzdolabınıza gıdaların yerleştirilmesi mümkün olacaktır.

Isının ayarlanması

Soğutucu bölmesinin içindeki ısı, otomatik olarak termostat düğmesinin konumuna göre ayarlanır.

1 = daha az soğuk 5 = daha soğuk

Orta bir değere ayarlanması tavsiye edilir.

Mevcut alanı büyütme ve dış görünümü güzelleştirmek amacıyla bu cihazın "soğutma ünitesi" soğutucu bölmesinin arka duvarının içine yerleştirilmiştir. Soğutucunun arka yüzeyinde, çalışması sırasında, kompresörün devrede veya devre dışı olmasına bağlı olarak buzlanma veya su damlacıkları oluşacaktır. Bunun için endişelenmeyiniz! Buzdolabınız normal çalışmaktadır.

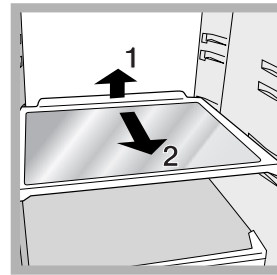
ISI AYAR düğmesi yüksek değerlere ayarlandığında, gıdanın büyük miktarda yerleştirilmiş olması ve dış ortam sıcaklığının yüksek olması durumunda cihaz kesintisiz olarak çalışabilir. Böylece aşırı buzlanma oluşmasına ve aşırı elektrik tüketimine neden olur: düğmeyi daha düşük değerlere doğru hareket ettirerek sorunu gideriniz (otomatik buz eritme sistemi devreye girecektir).

Statik cihazlarda hava doğal bir şekilde dolaşır: soğuk hava, daha ağır olduğu için aşağıya iner. İşte gıda yerleştirme şekli:

Gıda	Buzdolabında yerleştirilmesi
Et ve temiz balık	Meyve ve sebze çekmecelerinin üstüne
Taze peynir	Meyve ve sebze çekmecelerinin üstüne
Pişmiş yemekler	Tüm raflara
Salam, tost ekmeği, çikolata	Tüm raflara
Meyve ve sebze	Meyve ve sebze çekmecesine
Yumurta	İlgili rafa
Tereya ve margarin	İlgili rafa
Şişe, içecek ve kutu meşrubat	İlgili rafa

RAFLAR: tepsi veya telli.

Büyük kaplar veya fazla yer kaplayan gıdaların yerleştirilmesi için mevcut olan kılavuzlar sayesinde çıkarılabilir ve yüksekliği ayarlanabilir (şekle bakınız). Yüksekliği ayarlamak için, rafı tamamen çıkarmak gerekmez.

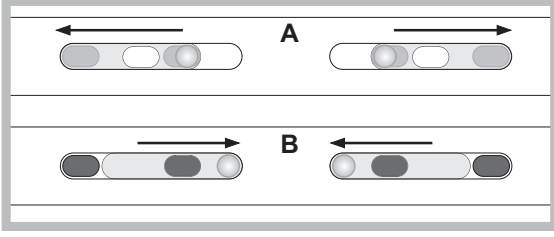


Buzdolabının en iyi şekilde kullanılması

- Sadece soğuk, ılık ve sıcak olmayan gıda yerleştirilebilir (Önemler ve öneriler bölümüne bakınız).
- Pişmiş gıda çığ gıdadan daha uzun süre saklanmaz.
- Sıvı kapaksız kaplara dökülmemelidir: nem oranı yükselir ve kondens suyu oluşur.

MEYVE VE SEBZE çekmecesine

Buzdolabında mevcut olan meyve ve sebze çekmeceleri içerde saklanan meyve ve sebzeleri taze ve kokulu saklamak üzere tasarlanmıştır. Gıdaları daha az nemli bir ortamda saklamak için nem ayarını B konumuna getiriniz, daha nemli bir ortam için ise A konumuna getiriniz.



ISI DERECE göstergesi*: soğutucunun en soğuk bölümünü belirlemek için kullanılır.

1. Gösterge üzerinde OK yazısının net bir şekilde okunup okunmadığını kontrol ediniz (şekile bakınız).



2. "Tamam" sözcüğü görünmezse, sıcaklık çok yüksek demektir: daha düşük sıcaklığa ayarlayın ve sıcaklık dengeleninceye kadar yaklaşık olarak 10 saat bekleyin.
3. Göstergelyi tekrar kontrol ediniz: gerekirse bir daha ayarlayınız. Büyük miktarda yemek yerleştirilmesi veya kapı sık sık açılması durumunda göstergede ok yazısının olmaması normaldir. SOĞUTUCU KONTROL düğmesini daha yüksek konuma ayarlamak için en az 10 saat bekleyiniz.

Dondurucunun en iyi şekilde kullanılması

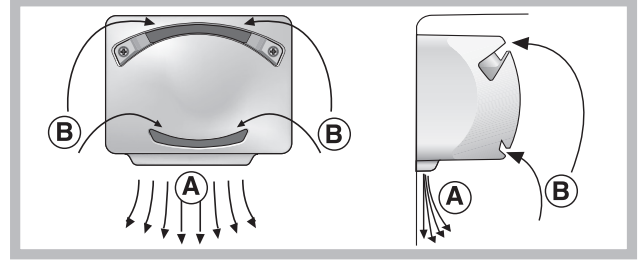
- Erimiş veya erimek üzere olan yiyecekleri bir daha dondurmuyunuz, bu gıdalar (24 saat içinde) tüketilmesi için pişirilmelidir.
- Dondurulacak taze gıdalar, daha önce donmuş olanlarla temas etmemelidir. Bu taze gıdalar dondurucunun üst bölümündeki rafa iç duvarları ile (yan ve arka duvarı) temasa geçecek şekilde yerleştirilmelidir, burada ısı derecesi 18°C'nin altına inerek hızlı bir dondurma işlemi garanti eder.
- Dondurucu içinde sıvı olan kapağı kapatılmış şişe koymayınız, patlayabilir.
- Günlük en fazla yiyecek dondurma miktarı soğutucu içinde aşağıda sağda bulunan teknik veriler etiketi üzerinde yazılıdır (örneğin: Kg/24h 4).

UYARI : Enerji tasarrufu amacıyla bu fonksiyonun 24 saat sonra kapalı hale getirildiğinden emin olunuz.

! Dondurma işlemi sırasında kapağı acmamaya özen gösteriniz.
! Elektrik kesintisi veya arıza durumunda kapağı açmayınız: dondurulmuş gıdalar 9-14 saate kadar, hiç bir değişikliğe uğramadan korunurlar.
! Dış ortam sıcaklığı uzun süre 14°C'den soğuk olması durumunda dondurucu bölmesi uzun süre saklamak için gerekli ısı derecesine ulaşmaz ve böylece saklama süresi kısalmış olur.

AIR Sistemi*

Buzdolabı bölümünün üst kısmında bulunan mekanizmadan fark edilebilir (şemaya bakınız).



AIR Sistemi, buharlaştırıcının verimliliğini artırarak ve buzdolabı her açıldığında içinde mümkün olduğunca hızlı bir şekilde en iyi derecede sıcaklık elde edilmesine yardım ederek hava sirkülasyonunu en üst düzeye çıkarır. Üflenmiş hava (A) soğuk duvarla temas ettiğinde soğur, oysa sıcak hava (B) emilir (şemaya bakınız).

Isı ayar düğmesi yüksek değerlere ayarlandığında, gıdanın büyük miktarda yerleştirilmiş olması ve dış ortam sıcaklığı yüksek olması durumunda cihaz devamlı çalışabilir. Böylece çığ oluşmasını engellemez ve fazla enerji tüketir: tabii düğmeyi daha alçak bir değere ayarlanmalıdır (otomatik eritme sistemi devreye girecektir).

Bakım ve Özen

Elektrik şebekesinin devre dışı bırakılması

Temizlik ve bakım işlemi sırasında cihazın fişini prizden çıkararak elektrik bağlantısını kesiniz.

Soğutucunun tüm elektrik bağlantılarını kesmek için (cihaz kapalı) ısı ayar düğmesini ● konumuna getirmek yeterli değildir.

Cihazın temizlenmesi

- Soğutucunuzun dış, iç duvarlarını ve contalarını karbonat (yemek sodası) veya nötr sabun eklenmiş ılık su ile ıslatılmış yumuşak bir sünger ile temizleyiniz. Aşındırıcı maddeler ve çözücü, amonyak, beyazlatıcı türü maddeleri kesinlikle kullanmayınız.
- Sökülebilen aksesuarları deterjan veya sabun eklenmiş ılık su içine batırınız. Çalkalayınız ve dikkatlice kurulaştırınız.

İstenmeyen kokuların ve küfün önlenmesi

- Cihaz kokuları önleyici hijyenik malzemelerle üretilmiştir. Bu özelliği kaybetmemek için gıdaların iyice sarılıp kapatılması gerekir. Böylece leke oluşması engellenecektir.
- Cihazın uzun süre devre dışı bırakılması durumunda içini iyice temizleyiniz ve kapağı açık bırakınız.

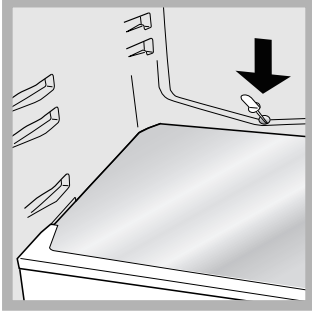
Eritme

! Talimatları dikkatlice uygulayınız.

Bölmelerin ikisinin içinde buz kazımak veya eritmek için başka aygıtlar veya gereçler değil, sadece mevcut olan buz küreğini kullanınız. Aksi takdirde soğutma sistemi bozulabilir.

Soğutucu bölümünün eritmesi

Buzdolabınızın otomatik eritme sistemine sahiptir: Eritme Soğutucunuz otomatik eritme sistemine sahiptir: Eritme sonucu oluşan su, su boşaltma oluştundan geçerek (şekile bakınız) Soğutucunun arka kısmına akar ve burada kompresör tarafından üretilen sıcaklıkla buharlaşır. Periyodik olarak su boşaltma borusunun deliği suyun rahatça akabilmesi için temizlenmelidir.



Dondurucu bölümünün eritmesi

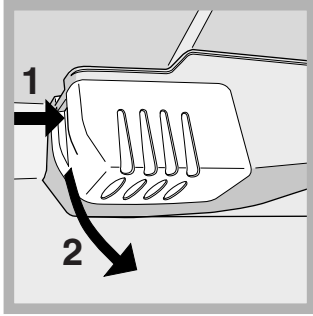
Oluşan karların kalınlığı 5 cm'den fazla ise eritmeyi manuel olarak yapınız:

1. ISININ AYAR düğmesini ● konumuna getiriniz.
2. Yiyecekleri gazete kağıdına sararak Soğutucunuzun soğutucu bölümüne veya başka dondurucuya yerleştiriniz.
3. Bu çözme işlemi sırasında karlar çözene kadar dondurucunun kapağını açık tutunuz; ayrıca buzun çözülme işlemi kolaylaştırmak amacıyla içine içi ılık su dolu birkaç kap yerleştiriniz.
4. Cihazı çalıştırmadan önce dondurucu bölümünü özenle temizleyip kurulayınız.
5. Dondurucu bölümüne gıdaları koymadan önce muhafazanın en ideal şartlarına ulaşması için aşağı yukarı 2 saat bekletiniz.

Ampulün değiştirilmesi

Soğutucu bölümünün ampulünü degistirmeden önce buzdolabının fisini prizden çıkarınız. Aşağıdaki talimatları özenle uygulayınız.

Sekilde gösterildiği gibi koruma zarını çıkarttıktan sonra ampulü açınız. Koruma zarında belirtildiği (10 W veya 15 W) gücü esit olan bir yenisi ile degistiriniz.



Önlemler ve öneriler

! Cihaz, uluslararası güvenlik normlarına uygun olarak tasarlanıp üretilmiştir. Aşağıdaki bilgiler, güvenliği sağlamak amacıyla verilmiştir. Bu yüzden dikkatlice okunması gerekir.



Bu cihaz aşağıdaki Avrupa

Birliği Yönergeleri ile

uyumludur:

-2006/95/AT Belirli gerilim sınırları dahilinde

Kullanılmak üzere tasarlanmış elektrikli teçhizat ile ilgili yönerge

-2004/108/AT Elektromanyetik uyumluluk yönergisi

-96/57/AT Ev tipi elektrikli soğutucular, dondurucular

ve kombinasyonlarının enerji verimlilik şartları ile

ilgili yönerge Atık Elektrikli ve Elektronik Eşyaların (AEEE) Kontrolü Yönetmeliğine uygundur.

Taşıma ve nakliye sırasında dikkat edilecek konular

- Taşıma ve nakliye sırasında ambalajın tamamen kapalı olduğundan emin olunuz,
- Taşıma ve nakliye işlemini orijinal ambalajı ile yapınız.
- Taşıma esnasında üründe hasar ve arıza oluşmamasına, vurma, çarpma, düşürme vb. dış etkenler nedeniyle ürünün zarar görmemesine dikkat ediniz.
- Ambalajı zarar verebilecek nem, su, v.b. dış etkenlere karşı koruyunuz.
- Cihazın montajı yetkili servis tarafından gerçekleştirilecektir

Genel güvenlik uyarıları

- Cihaz, meskenlerde kullanılmak üzere tasarlanmış olup profesyonel kullanım amaçlı değildir.
- Cihaz, sadece yetişkin kişiler tarafından ve bu kitapçıkta aktarılan talimatlara göre, gıdaları saklamak ve dondurmak için kullanılmalıdır.
- Cihaz, üzeri kapalı bile olsa açık alanlara monte edilmemelidir, çünkü yağmur ve fırtınaya maruz kalması son derece tehlikelidir.
- Dikkat: soğutma sistemine zarar vermeyiniz
- Cihaza ayaklarınız çıplakken yada elleriniz veya ayaklarınız ıslak yada nemliyen dokunmayınız.
- Buzdolabının soğutma yapan iç kısımlarına dokunmayınız: yanma veya yaralanma tehlikesi vardır.
- Fişi prizden çekerken kablosundan değil fişin kendisinden tutarak çekiniz.
- Temizlik ve bakım işlemlerini gerçekleştirmeden önce fiş elektrik şebekesinden çıkarılmalıdır. Buzdolabının tüm elektrik bağlantılarını kesmek için ISI AYAR DÜĞMESİNİ ● konumuna (cihaz kapalı) getirmek yeterli değildir.
- Arıza halinde, onarmak amacıyla iç mekanizmaları hiçbir şekilde kurcalamayınız.
- Dondurulmuş gıda saklama bölmelerinde üretici tarafından tavsiye edilen tip hariç ucu sivri ve keskin aletleri veya elektrikli cihazları kullanmayınız.
- Buz küplerini dondurucu bölümünden çıkarır çıkarmaz ağızınıza sokmayınız.
- Bu cihaz fiziksel, duymusal veya mental kapasite eksikliğine sahip, veya tecrübe ve bilinçten yoksun kişilerin (çocuklar dahil) kullanımı için uygun değildir, emniyetlerinden sorumlu bir kişi tarafından cihazın kullanımı konusunda eğitim almamış kişiler tarafından da kullanıma uygun olarak amaçlanmamıştır. Çocuklar, cihaz ile oynamamaları sağlanarak, denetlenmelidirler.
- Ambalajlar çocuklar için oyuncak değildir.

Atıkların tasfiye edilmesi

- Ambalaj malzemelerinin tasfiye edilmesi: yerel normlara uygun olarak tasfiye ediniz, böylece tasfiye edilen malzemelerin geri dönüşümü sağlanmış olacaktır.
- Elektrik ve elektronik cihazların atıklarını değerlendirme 2002/96/CE sayılı Avrupa Konseyi direktifinde; beyaz eşyaların kentsel katı atık genel yöntemi ile tasfiye edilmemesi öngörülmüştür. Kullanılmayan cihazların, madde geri kazanım ve geri dönüşüm oranını en yüksek seviyeye yükseltmek, çevre ve insan sağlığına olası zararları engellemek için ayrı ayrı toplanması gerekir. Tüm ürünlerin üzerinde; ayrı toplama hükümlerini hatırlatmak amacıyla üstünde çarpı işareti olan sepet sembolü verilmiştir. Cihazların tasfiye edilmesi konusunda daha geniş bilgi için cihaz sahiplerinin mevcut müşteri hizmetine veya satış noktalarına başvurulması gerekir.

Enerji tasarrufu ve çevre koruması

- Soğutucu doğrudan güneş ışığına maruz kalmayacak, serin ve havadar uygun bir yere yerleştiriniz. Ayrıca, ısı kaynaklarından uzakta olmalıdır.
- Gıdaları almak ya da yerleştirmek için cihazın kapağını mümkün olduğu kadar az açık tutunuz. Soğutucunun kapağı her açıldığında enerji tüketilir.

- Cihazı fazla gıda ile doldurmayınız: gıdaların iyi saklanması için soğuk hava dolaşımının sağlanması gerekir. Hava dolaşımının engellenmesi durumunda kompresör devamlı çalışmak zorunda kalacaktır.
- Soğutucunun içine sıcak gıda koymayınız: ısı derecesi yükselir, kompresör yoğun çalışmak zorunda kalır ve enerji büyük miktarda tüketilir.
- Buz oluşması durumunda eritme yapınız (Bakım bölümüne bakınız); kalın bir buz tabakası soğutmayı engeller ve enerji

tüketimini yükseltir.

Arıza ve Onarımlar

Buzdolabınız bazen size sorun çıkarabilir yada çalışmayabilir. Teknik Servis ile irtibata geçmeden önce (Teknik Servis bölümüne bakınız), aşağıdaki liste yardımıyla kolaylıkla çözülebilecek bir problem olup olmadığını kontrol ediniz.

İç aydınlatma lambası yanmıyor.

- Fiş prize takılı değil veya kondağ girecek kadar yeterli değil, veya evdeki elektrik akımı kesik.
- ISININ AYAR düğmesi, ● konumunda.

Soğutucu az soğutma yapıyor.

- Kapılar tamamen kapanmıyor veya contalar bozuk.
- Kapak sık sık açılıyor.
- ISININ AYAR düğmesi doğru konumda değil.
- Soğutucu veya dondurucu fazla doldurulmuş.

Soğutucu bölmesinde gıdalar donuyor.

- ISININ AYAR düğmesi doğru konumda değil.
- Gıdalar, arka duvar ile temas edecek şekilde yerleştirilmiş.

Motor devamlı çalışıyor.

- Kapı tam kapalı değil veya sürekli olarak açılıyor.
- Dış ortam sıcaklığı çok yüksek.

Cihaz çok ses yapıyor.

- Cihazın kurulumu tamamen düz bir zemine yapılmamış (Montaj bölümüne bakınız).
- Cihaz sarsıntı yapan ve gürültü çıkaran mobilya veya eşyalar arasına yerleştirilmiş.
- Dahili soğutucu gaz, kompresör çalışmadığı zaman bile, hafif bir ses çıkarıyor: bu bir arıza değildir, normaldir.

Soğutucu bölmesinin altındaki duvarda buzlanma veya su damlacıkları mevcut:

- Ürün, normal çalışma konumunda.

Soğutucu bölmesinin tabanında ıslaklık var.

- Su bosaltma deliği tıkanmış (Bakım bölümüne bakınız).

Soğutucunun bazı dış kısımlarının ısısı yüksek

- Yüksek ısı ürünün bazı özel bölgelerinde nem oluşmasını engellemek için gereklidir.

Buzdolabının iç duvarlarında nem oluşuyor.

- Havanın çok sıcak ve nemli olduğu durumlarda ve kapıları çok sık veya çok uzun süre açıldığında yoğuşma artar. Kapıların tamamen kapalı olduğundan emin olunuz. Bu bir arıza değildir, normaldir.

Buzdolabının dışında veya kapıları arasında nem oluşuyor.

- Havanın çok nemli olduğu durumlarda yoğuşma artar. Nem azaldığında kaybolacaktır. Bu bir arıza değildir, normaldir.

Buzdolabının içi kötü kokuyor

- Buzdolabının içi temizlenmelidir. Yiyecekler uygun kaplar ve/veya paketler içinde saklanmalıdır. Bu bir arıza değildir, normaldir.

Tüketicilerin Seçimlik Hakları

Tüketicinin Korunması Hakkındaki Kanun'un 11. maddesi çerçevesinde malın ayıplı olduğunun anlaşılması durumunda tüketici, satıcıdan (i) satılanı geri vermeye hazır olduğunu bildiren sözleşmeden dönme, (ii) satılanı alıkoymuş ayıp oranında satış bedelinden indirim isteme, (iii) aşırı bir masraf gerektirmediği takdirde, bütün masrafları satıcıya ait olmak üzere satılanın ücretsiz onarılmasını isteme, (iv) imkan varsa, satılanın ayıpsız bir misli ile değiştirilmesini isteme seçimlik haklarına sahiptir. Ücretsiz onarım veya malın ayıpsız misli ile değiştirilmesi hakları üretici veya ithalatçıya karşı da kullanılabilir.

Ücretsiz onarım hakkının seçilmesi durumunda işçilik masrafı, değiştirilen parça bedeli ya da başka herhangi bir ad altında hiçbir ücret talep etmeksizin malın onarımı yapılacak veya yaptırılacaktır.

Ücretsiz onarım hakkının kullanılması halinde malın, garanti süresi içinde tekrar arızalanması, tamiri için gereken azami sürenin aşılması, tamininin mümkün olmadığı, yetkili servis istasyonu, satıcı, üretici veya ithalatçı tarafından bir raporla belirlenmesi durumlarında, malın bedel iadesi, ayıp oranında bedel indirimi veya imkan varsa malın ayıpsız misli ile değiştirilmesi (mevzuattaki istisnalar saklı kalmak kaydıyla) talep edilebilecektir.

Sözleşmeden dönme veya ayıp oranında bedelden indirim hakkının seçildiği durumlarda, satıcı, malın bedelinin tümünü veya bedelden yapılan indirim tutarını derhal tüketiciye iade edecektir. Malın ayıpsız misli ile değiştirilmesi hakkının seçilmesi durumunda talep kendilerine bildirilmesinden itibaren satıcı veya üretici tarafından azami otuz iş günü içerisinde, bu talep yerine getirilecektir.

Kullanım Hataları

Cihazın kullanma kılavuzunda yer alan hususlara aykırı kullanılmasından kaynaklanan arızalar garanti kapsamı dışındadır.

Tüketici Şikayetleri

Çıkabilecek sorunlar için tüketiciler şikayet ve itirazları konusundaki başvurularını tüketici mahkemelerine ve tüketici hakem heyetlerine yapabilirler.