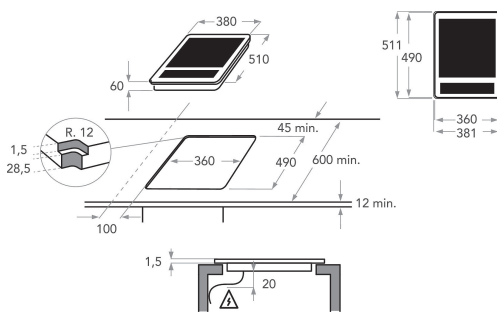
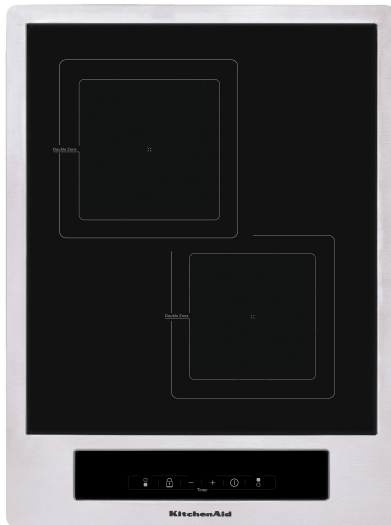


KHYD2 38510

12NC: 851349901000

GTIN (EAN) code: 8003437219597

KitchenAid



MAIN FEATURES

Product group	Hob
Construction type	Built-in
Type of control	Electronic
Type of control settings	-
Number of gas burners	0
Number of electric cooking zones	2
Number of electric plates	0
Number of radiant plates	0
Number of halogen plates	0
Number of induction plates	1
Number of electric warming zones	0
Location of control panel	Front
Basic surface material	Glass
Main colour of product	Black
Electrical connection rating (W)	3
Gas connection rating (W)	0
Current (A)	12
Voltage (V)	220-240
Frequency (Hz)	50/60
Length of Electrical Supply Cord (cm)	100
Plug type	No
Gas connection	N/A
Width of the product	380
Height of the product	60
Depth of the product	510
Minimum niche height	30
Minimum niche width	360
Niche depth	490
Net weight (kg)	6.1
Automatic programmes	No

TECHNICAL FEATURES

Power on indicator	Yes
Number of indicators	2
Type of regulation	N/A
Type of lid	Without
Residual heat indicator	Separate
Main on/off switch	Yes
Safety device	-
Timer	Yes

PERFORMANCES

Energy input	Electric
--------------	----------