

ЗАО "ИНДЕЗИТ ИНТЕРНЭШНЛ"
РОССИЯ, 398040 г. Липецк,
пл. Metallургов, 2
Служба сервиса
тел. (0742) 42-41-00

код 195050335 00



TT 85
TT 85 T

Refrigerator
Installation and use

Холодильник
Установка и использование



Safety - a good habit to get into.

GB Refrigerator

Instructions for installation and use..... 1

CIS Холодильник

Инструкции по установке и использованию.....6

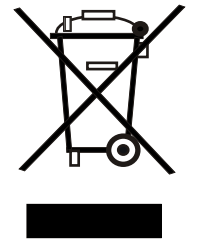
ATTENTION

Read your manual carefully since it contains instructions, which will ensure safe installation, use and maintenance of your appliance.

Your Refrigerator is built to International safety standards (EN60) and has been awarded the European approval mark (IMQ) for conformity with UK electrical safety requirements. It also meets the EC standards on the prevention and elimination of radio interference (EC directive 87/308 - 02.06.89).

1. This appliance is designed to be used indoors and under no circumstances should it be installed outside even if protected by a roof. Leaving the appliance exposed to the rain and whether is exceedingly dangerous.
2. The appliance should be used only by adults and exclusively for storing foodstuffs in compliance with the instructions provided in this manual. Under no circumstances should children be allowed to operate, or tamper with, this product.
3. Do not attempt to operate or handle this appliance when barefoot, or with wet hands or feet.
4. It is highly recommended that you do not operate this appliance by connecting it to the power supply with extensions or multiple socket plugs. If the refrigerator has been installed between two cabinets, make sure that the supply cord is not dangerously crimped or trapped beneath a heavy object.
5. Never pull the cable or the appliance to remove the plug from the socket; this is exceedingly dangerous.

6. Do not touch the internal cooling elements, especially if your hands are wet, since you could burn or hurt yourself.
7. Before doing any cleaning, disconnect the appliance from the electricity (by pulling out the plug or turning off the general switch in your home); it is not sufficient to place the temperature regulation knob " 0 " to cut off the power.
8. Before disposing of your old appliance, remember to break or remove the lock as a safety measure to protect children who might lock themselves inside the appliance when playing. In addition, if the appliance is a new one with a lock, keep the key out of the reach of small children.
9. If your appliance is not operating properly, read the chapter entitled, "Trouble Shooting", which might help you to resolve the problem, before calling an after-sales service center. Do not attempt to repair the appliance by tampering with the internal components.
10. If the power supply cord must be replaced, please contact one of our Customer Service Centers. In some cases, the connections are made using special terminals and in others a special tool must be used to access the connections.
11. Do not use electric appliances inside the compartment for food storage, if these are not those recommended by the manufacturer.
12. At the end of the functional life of your appliance – containing cyclopentane gas in the insulation foam and gas R134a (tetrafluoroethane) in the refrigeration circuit – the latter should be made safe before being sent to the dump. For this operation, please contact your dealer or the Local Organisation in charge of waste disposal.



Installation

Proper installation of the appliance is essential to ensure the best and most efficient performance of your appliance.

Ventilation

The compressor and condenser generate heat and, therefore, need to be ventilated properly. Rooms with less than perfect ventilation are not very suited for installation of the appliance. Therefore, it should be installed in a room with an opening (window or French window) that provides the appropriate amount of air re-circulation. It is also important that the room should not be too humid.

During installation, make sure not to cover or obstruct the grates that allow proper ventilation of the appliance. For proper ventilation of the appliance, you must leave:

- a space of at least 10 cm between the top part and any cabinets above it;
- a space of at least 5 cm between the sides of the appliance and any adjacent cabinets/walls.

Away from Heat

Avoid positioning the appliance in a place where it is

directly exposed to sunlight or near an oven, cook top or the like.

Levelling

The floor should be perfectly levelled; if not, you can adjust the feet at the front of the appliance.

Earthing

Before making the electrical connection, check that the voltage shown on the data plate, that you will find on the bottom left hand side of the appliance next to the crisper, corresponds to that of your mains and that the socket is earthed in conformity with all current electrical regulations. If the system is not earthed, the manufacturer declines all liability for consequent damages or losses. Do not use adapters or multiple sockets.

Check the power load

The electrical socket must support the maximum power load of the appliance shown on the data plate (on the bottom left hand side of the appliance next to the crisper).

Before plugging the appliance to the mains

Set the appliance upright and wait at least 3 hours before plugging the appliance into the mains to ensure proper performance.



To maintain the EFFICIENCY and SAFETY of this appliance, we recommend:

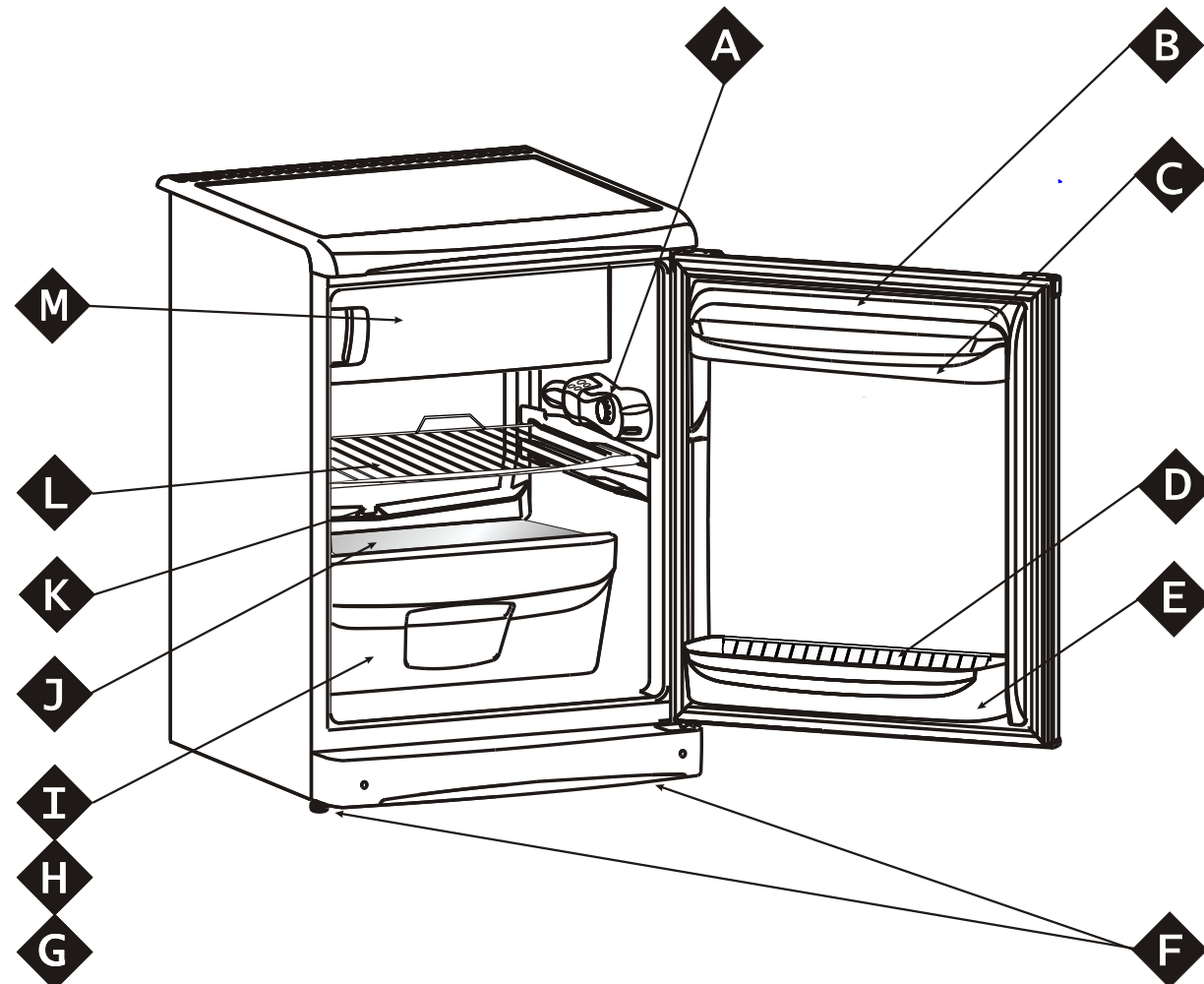
- call only the Service Centers authorized by the manufacturer;
- always use original Spare Parts.

Производитель оставляет за собой право без предупреждения вносить изменения в конструкцию, не ухудшающие эффективность работы оборудования.

- Некоторые параметры, приведенные в этой инструкции, являются ориентировочными;
- Производитель не несет ответственности за незначительные отклонения от указанных величин.

- A** **Temperature regulator knob**
This knob allows you to adjust the refrigerator temperature to different positions:
0 the refrigerator is switched off;
1 minimum refrigeration setting;
5 maximum refrigeration setting.
- B** **Transparent cover**
- C** **Hanging rack**
- D** **Bottles holder**
- E** **Lower hanging rack**
- F** **Adjustable feet**
- G** **Ice container**

- H** **Ice scraper**
- I** **Fruit and vegetable drawer**
- J** **Glass tray**
- K** **Drainage system for thawed water**
- L** **Removable height adjustable shelves**
- M** **Compartment for frozen food storage**



How to Start the Appliance

NOTICE

After the appliance has been delivered, stand it in the upright position and wait approximately 3 hours before connecting it to the electrical outlet to guarantee that it operates properly.

Before placing foodstuffs in the refrigerator, clean the interior well with warm water and baking soda.

After having plugged the appliance in set knob 'B' onto a medium position and can place food in the fridge after only a few hours.

When the refrigerator has reached the optimum temperature, you can place frozen food in it.

How to use the refrigerator compartment ...

The thermostat automatically regulates the temperature inside the appliance

1 = less cold

5 = colder

It is recommended that a medium setting be used.

To increase the amount of space, optimize arrangement and improve appearance, this appliance has a "cooling area" located within the back panel of the refrigerator compartment.

When the appliance is operating, this panel may be covered with frost or droplets of water depending on

whether the compressor is operating or not at a set time. Do not be concerned about this! The refrigerator is operating normally.

If the thermostat knob is positioned on higher settings while the refrigerator is heavily filled and the ambient temperature is high, the appliance may run continuously, resulting in the formation of frost on the back cooling area. This will lead to an increase in energy consumption.

To avoid this situation, just turn the thermostat knob to a lower setting so that the appliance defrosts automatically.

Storing food in the Refrigerator Compartment

Food	Storage time	Location in the Refrigerator
Fresh meat and cleaned fish (use plastic wrap or pack in plastic bags)	2 or 3 days	On any shelf
Fresh cheese	3 or 4 days	On any shelf
Butter, margarine	1 week	On any shelf
Cooked or precooked food (place in air-tight containers and when cool store in refrigerator)	3 or 4 days	On any shelf
Sausages, salami, sandwich meats in general, fresh pasta, custards, puddings, chocolates, cream pastries, bread, dry pastries, red tomatoes	3 or 4 days	On any shelf
Bottled products, milk, drinks, yoghurt		On special door shelves
Fruit and vegetable	-	In vegetable crisper

What Should Not be Stored in the Refrigerator

Garlic (transmits odour), onions and leeks.

Bananas (they will turn black).

Citrus fruits.

Potatoes and root vegetables (store in dark, dry places).

- Within the refrigerator compartment, the air circulates naturally, with the colder air falling down because it is heavier. This is the reason why meat and cheeses should be placed above the vegetable container.

- Please follow our instructions carefully on maximum storage time: any food, even the freshest, will not remain edible for any extended amount of time.

- Do not place liquids in containers without covering them because this will lead to an increase in the level of moisture within the refrigerator, causing the formation of frost.

- Remember to cool hot food before storing otherwise the temperature inside the appliance will increase, causing the compressor to work harder and use more energy.

- Contrary to popular belief, cooked foods are not stored any longer than raw food.

- The refrigerator compartment is equipped with convenient, removable shelf, which can be adjusted for height using the shelf guides. This allows you to place even large containers and foodstuffs in the refrigerator.

- Be careful not to place containers (plastic or glass), food or other objects in direct contact with the cooling area of the back wall of the refrigerator. This could harm the food, increase energy consumption and facilitate the formation of condensate (on food, containers, etc.).

Tips on Saving Energy

- Install it well

This means that the appliance should be installed away from heat sources or direct sunlight in a well-ventilated room.

- Correct temperature settings

Set the refrigerator temperature knob to one of the medium settings. Very low temperatures will not only consume a great deal of energy but will neither improve or lengthen the storage life of the food. Excessively low temperature may in fact spoil vegetables, cold meats and cheese.

- Do not overfill

Remember that proper storage of food requires good air circulation. Overfilling your appliance will prevent this circulation and overwork the compressor.

- Shut the door

Open your appliance only when strictly necessary; remember that every time you open the door most of the cold air will be lost. The motor will have to run, and consume energy, to restore the correct temperature.

- Check the door gaskets

Keep the gaskets clean and soft so that they fit closely against the door to ensure that no cold air is lost.

- Never store hot foods

A container of hot food in the refrigerator will increase the temperature significantly; allow food to cool to room temperature before storing.

Keeping Your Appliance in Shape

Defrosting

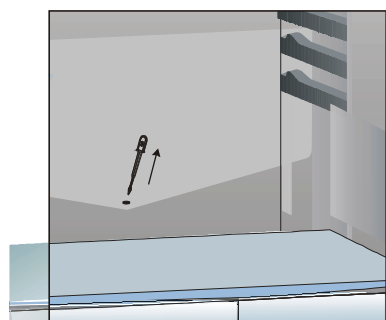
WARNING: do not damage the refrigeration circuit.

Do not use mechanical devices or other tools to speed up the defrosting process, unless they have been recommended by the manufacturer.

How to Defrost the Refrigerator

This appliance defrosts automatically and the water is drained to the back towards the drain pipe installed for this purpose (fig. 1). Here, the heat produced by the compressor will make it evaporate. The only thing you must do is to periodically check and clean the hole of the drain, which is located behind the vegetable crispers, so that the water drains properly.

Fig. 1



How to Defrost the Freezer Compartment

- Every so often, remove the frost with the scraper provided with the appliance (do not use knives or metal objects).

- If the frost is more than 5 mm thick, the freezer must be defrosted.

Proceed as follows: turn the thermostat knob (A) to the setting . Then wrap all the frozen and fast-frozen food in newspaper, placing it either in the refrigerator or in a cool place. Leave the freezer door open so that the frost thaws completely. You can speed this process by placing containers of warm water in the compartment.

Cleaning and maintenance

Always unplug the appliance from the mains before cleaning.

- Your appliance is manufactured with hygienic odourless materials. To preserve these characteristics, always use sealed containers for strong smelling foods to avoid the formation of odours that are difficult to remove.

- Use only a water and bicarbonate solution: Clean the internal and exterior of your appliance with a sponge soaked with a warm water and sodium bicarbonate solution, which is also a good disinfectant. If you do not have any sodium bicarbonate at home, use neutral detergent.

- What not to use: Do not use abrasive detergents, bleach or detergents containing ammonia. Never use solvent-based products.

- Dishwashable: All the removable parts can be cleaned by soaking in hot soapy water or detergent. If you own a dishwasher, you may wash these parts in the dishwasher. Remember to dry thoroughly before replacing them.

- What about the back panel? Dust may deposit on the back panel and affect the proper running of the appliance. To remove dust, vacuum away the dust very carefully using the appropriate vacuum cleaner accessory.

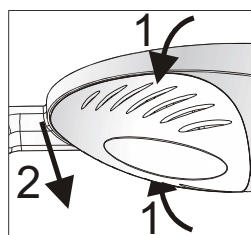
- Discontinued use of the appliance: If the appliance is not in use for any length of time, remember to clean the interior and dry thoroughly, leaving the door open to prevent the formation of bad odours and mould.

- As a result of thermal strain for components of a refrigerator appliance can be heard crackling noise that is not a defect and doesn't affect efficiency of the appliance. This special sound when the thermoregulator and compressor are turned on is a normal state, which appears during the working process of the appliance's electric installation.

- Do Not locate hot (over 60°C) subjects on the upper plane of refrigerator.

- Replacing the lamp. The lamp for lighting the interior of the appliance is located at the back of the lamp box. Unscrew the burnt lamp and replace it with another lamp of no more than 15 Watt, follow the instructions illustrated in fig. 2

Fig. 2



Is there a Problem?

The refrigerator do not cool properly.

Have you checked whether:

- The door does not close well or the seals are faulty;
- The door is left open too long;
- The thermostat knob is not on the proper setting;
- The refrigerator is overfilled.

The food in the refrigerator becomes too cold.

Have you checked whether:

- The thermostat knob is on the proper setting;
- The food is in contact with the back wall - which is the coldest part.

The motor runs continuously.

Have you checked whether

- The door is not closed well or have remained open too long;
- The ambient temperature is too high;
- The thermostat knob is not on the proper setting.

The appliance makes too much noise.

The gas refrigerant produces a slight noise even when the compressor is not running (this is not a defect).

Have you checked whether:

- The refrigerator is level.
- The appliance was installed between cabinets or objects that vibrate and make noise.

There is water on the bottom of the refrigerator.

Have you checked whether:

- The hole for draining the water from the frost is clogged (see fig. 1).

If after all the checks, the appliance still does not operate or the problem persists, call the nearest Service Centre and inform them of: the type of problem, the abbreviation of the model name (Mod.) and the relative numbers (S/N) written on the rating plate located at the bottom left next to the vegetable crisper.

Never call on unauthorized technicians and always refuse spare parts, which are not originals.

Technical characteristics

Parameters	Value
Overall dimensions: height/ width/ depth, cm	85/60/61.5
Total gross volume, dm ³	119
Gross volume of freezer compartment, dm ³	14
Total storage volume, dm ³	108
Storage volume of freezer compartment, dm ³	14
Cooling system	Static
Uniform shelf load is recommended, kg, no more than (fo glass)	16/30*
Ambient temperature while operating, °C	from+ 16 to +32
Energy efficiency class	B
Energy consumption, kw*h/24h	0.61
Compressor quantity	1
Pure mass, kg	48
Specified service life, years	10
Average service life period, years	15

Безопасность- хорошая привычка

Внимательно прочитайте данное руководство: оно поможет Вам ознакомиться с возможностями холодильника, правилами установки, использования и обслуживания. Ваш холодильник изготовлен в соответствии с международными стандартами безопасности и электромагнитной совместимости.

1. Холодильник разработан для использования внутри помещений. Ни при каких обстоятельствах не используйте холодильник на улице.

2. Холодильник должен использоваться в домашних условиях для хранения охлажденных продуктов в соответствии с данной инструкцией. Не разрешайте детям пользоваться холодильником без присмотра.

3. Холодильник обладает достаточным весом, передвигайте его только при уверенности в своих силах.

4. Не касайтесь холодильника влажными руками.

5. Не пользуйтесь удлинителями и переходниками. Помните, что включение холодильника с использованием переходников и удлинителей создает потенциальную опасность возгорания. Производитель не несет ответственности за возгорания, произошедшие из-за использования переходников и удлинителей, а также соединительного кабеля, сечение которого не соответствует потребляемой мощности. При установке холодильника необходимо проверить соответствие характеристик сети и электроприборов холодильника. Не вынимайте вилку из розетки за провод: это очень опасно. При повреждении шнура питания его следует заменить специальным шнуром или комплектом, получаемым у изготовителя или его представителя. Замена кабеля должна производиться только квалифицированным персоналом.

6. Не касайтесь внутренних охлаждающих поверхностей холодильника, особенно если Ваши руки мокрые или сырые. Не кладите в рот куски льда, только что вынутые из морозильника - так можно получить местное обморожение.

7. Перед выполнением любых операций по мойке или обслуживанию, отсоедините холодильник от сети. Установка термостата в положение «0» недостаточна для обеспечения электробезопасности.

8. Если холодильник предназначен для замены старого, имеющего запирающие устройства на двери, перед тем как выбросить старый холодильник, выведите из строя или снимите запирающее устройство. Это необходимо для того, чтобы обезопасить детей, которые могут играть с выброшенными предметами и рискуют быть запертыми внутри холодильника.

9. При возникновении нестандартной ситуации отключите холодильник от сети и позвоните в сервисный центр, телефон которого напечатан в гарантийном документе (сервисном сертификате). Перед звонком в сервисный центр прочитайте раздел «Устранение неисправностей».

10. Запрещается изменение конструкции холодильника и вмешательство лиц, не уполномоченных производителем на гарантийный ремонт.

11. Не используйте электрические приборы, используемые для приготовления пищи, внутри отделения для хранения пищевых продуктов, если это не рекомендовано производителем.

12. Если Вы решили больше не использовать Ваш холодильник, позаботьтесь об его утилизации. Ваш холодильник содержит циклопентановый газ в изоляционной пене и тетрафторэтан (R134a) в охлаждающем контуре - поэтому Вам необходимо связаться с местной организацией, ответственной за утилизацию.



Установка

Правильная установка необходима для обеспечения надежной и эффективной работы холодильника.

Вентиляция

Компрессор и конденсатор холодильника в процессе работы нагреваются, поэтому необходимо обеспечить достаточную вентиляцию. Холодильник должен быть установлен в хорошо проветриваемом помещении с нормальной влажностью. Запрещено устанавливать холодильник в помещениях с повышенной влажностью, например, ванных комнатах, подвалах.

Следите, чтобы во время эксплуатации доступ воздуха к отверстиям для вентиляции не был перекрыт или затруднен:

- расстояние между верхней частью холодильника и мебелью должно быть не менее 10 см;

- расстояние между боковыми стенками холодильника и мебели должно быть не менее 5 см.

Не располагайте вблизи источников тепла

Не следует устанавливать холодильник так, чтобы он находился под воздействием прямых солнечных лучей или рядом с источниками тепла (кухонными плитами, духовками, каминами).

Выравнивание

Для хорошей работы холодильника важно, чтобы он находился на ровной плоскости. После установки холодильника на место отрегулируйте его положение путем вращения регулировочных опор в его передней части. Наклон холодильника назад не должен превышать 5°.

Подключение к электросети

Холодильник выполнен по степени защиты от поражения электрическим током класса 1 и подключается к

электрической сети при помощи двухполюсной розетки с заземляющим контактом. Перед подключением к электросети убедитесь:

- что напряжение сети соответствует данным, указанным на табличке, которая находится на правой стороне холодильного отделения со стороны двери;
- что заземляющий контакт электрической розетки непосредственно электрически соединен с заземляющим проводом питающего кабеля электрической сети (соединительный провод должен быть рассчитан на ток не менее 10А);
- розетка и вилка одного типа; если вилка не подходит к розетке, розетку следует заменить на соответствующую вилке питающего шнура (работы должен выполнять квалифицированный электрик).

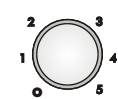
Холодильник должен быть установлен таким образом, чтобы Вы всегда имели доступ к розетке. Холодильник, подключенный с нарушением требований безопасности бытовых приборов большой мощности, изложенных в данном руководстве, является потенциально опасным. Холодильник, непосредственно подключаемый к двухпроводной электросети, эксплуатируют с устройством защитного отключения (УЗО), имеющим следующие значения параметров: диапазон номинальных напряжений от 220 до 240В / 50 Гц, с порогом срабатывания не более 30 мА, номинальное время срабатывания – 0,1 с.

Производитель не несет ответственности за ущерб здоровью и собственности, если он вызван несоблюдением указанных норм установки.

Описание



Ручка терморегулятора



Ручка терморегулятора позволяет регулировать температуру в холодильнике:

- 0 холодильник выключен;
- 1 минимальное охлаждение;
- 5 максимальное охлаждение.



Прозрачная крышка



Верхний балкончик



Держатель бутылок



Нижний балкончик



Регулируемые опоры



Емкость для льда



Лопатка для удаления инея



Ящик для овощей и фруктов



Поддон стеклянный



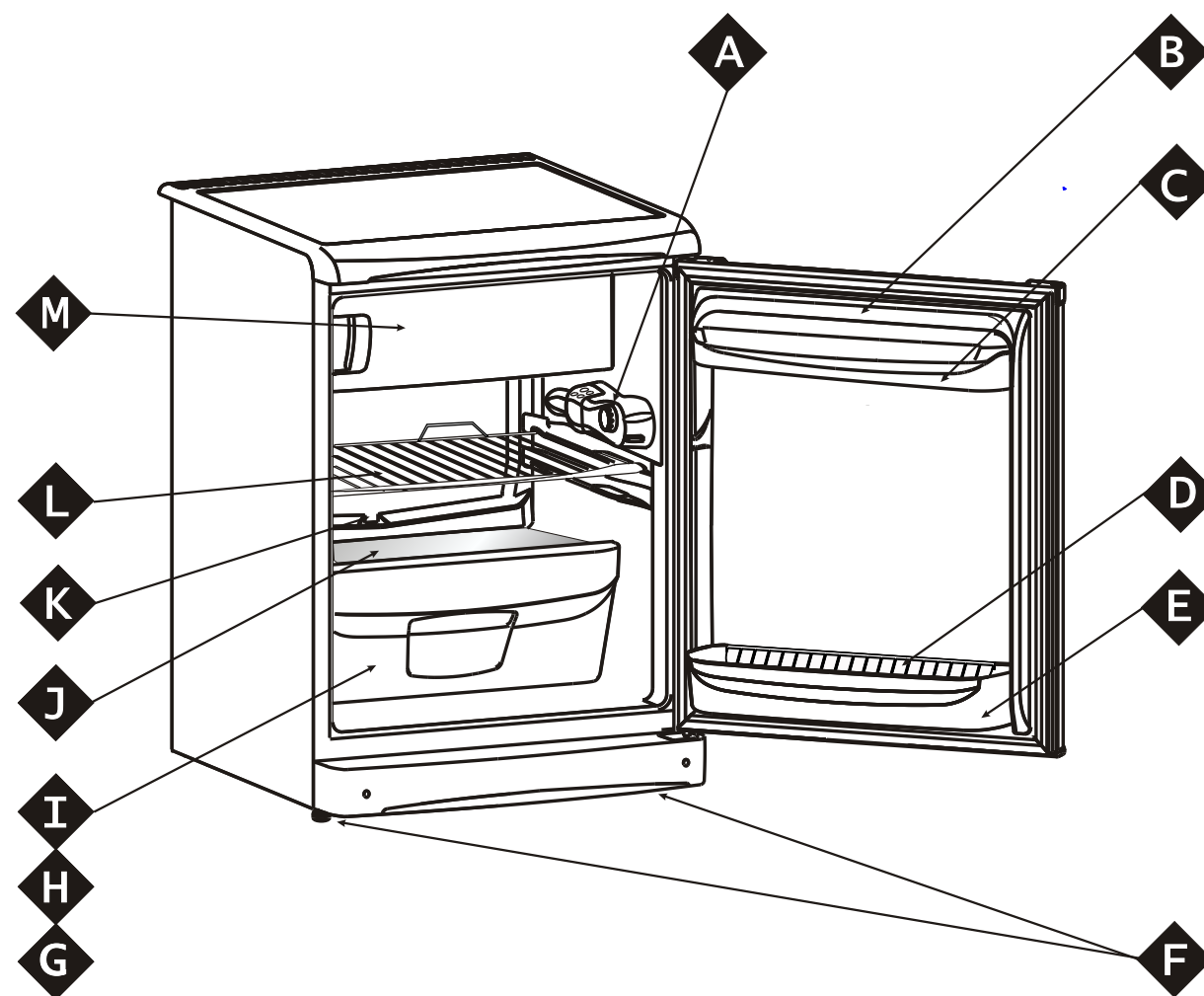
Дренажная система



Переставляемая полка



Низкотемпературное отделение



Включение

ВНИМАНИЕ

После установки подождите примерно три часа перед тем, как подключить холодильник к электросети, чтобы быть уверенными, что хладагент после транспортировки распределится должным образом - это необходимо для правильной работы холодильника.

Перед началом эксплуатации в холодильнике необходимо вымыть внутренние поверхности холодильной и морозильной камер раствором пищевой соды.

После того как Вы подключили холодильник к электрической сети, установите ручку терморегулятора **A** в среднее положение.

Использование холодильного отделения

Температура внутри холодильного отделения автоматически регулируется в соответствии с позицией, установленной ручкой терморегулятора.

1 - наименее холодный режим

5 - наиболее холодный режим

Мы рекомендуем устанавливать терморегулятор в среднее положение.

Для того, чтобы увеличить пространство, оптимизировать расположение продуктов и улучшить видимость внутри отделения, испаритель расположен за задней стенкой холодильного отделения. Во время работы холодильника задняя стенка может покрываться инеем или каплями воды в зависимости от того, работает компрессор в данный момент или

нет. Не беспокойтесь, это совершенно нормально.

УДАЛИТЕ ТРАНСПОРТНЫЕ РАСПОРКИ: между компрессором и задней стенкой ниши, а так же другие распорки и клеящие ленты, удерживающие подвижные части прибора от смещения.

Если прибор имеет защитное покрытие из полимерной пленки, аккуратно удалите ее, соблюдая меры предосторожности, чтобы не повредить лакокрасочное или пленочное покрытие деталей.

нет. Не беспокойтесь, это совершенно нормально.

Если терморегулятор установлен в максимальное положение (например, холодильник сильно заполнен продуктами или температура в помещении очень высокая), то компрессор может работать непрерывно, в результате чего на задней стенке испарителя образуется слой инея. Это приводит к повышенному потреблению электроэнергии. Во избежание подобной ситуации просто установите ручку терморегулятора **A** в меньшее положение, так чтобы холодильное отделение разморозилось автоматически.

Продукты	Время хранения	Расположение в холодильнике
Упакованные мясо и рыба (в пластиковой пленке или пакетах)	2 или 3 дня	На любой полке
Свежий сыр	3 или 4 дня	На любой полке
Масло, маргарин	1 неделя	На любой полке
Готовые продукты или полуфабрикаты, упакованные в воздухонепроницаемые контейнеры	3 или 4 дня	На любой полке
Колбасы, салями, мясо для сэндвичей, готовые макароны, пудинги, кремовые и песочные пирожные, хлеб, шоколад, красные помидоры	3 или 4 дня	На любой полке
Продукты в бутылках, молоко, напитки, йогурты	3 или 4 дня	На дверных полках
Фрукты и бобовые		В ящике для овощей

Не следует хранить в холодильнике

Лук, лук-порей и чеснок.

Бананы (они могут почернеть).

Цитрусовые.

Картофель и корнеплоды (храните в темном, сухом месте).

Холодный воздух в холодильном отделении циркулирует таким образом, что более низкая температура устанавливается в нижней части отделения. Чтобы правильно разместить продукты питания в отделениях для обеспечения наилучших условий хранения следуйте инструкции по хранению: при неправильном хранении даже самые свежие продукты быстро испортятся. Вопреки общеизвестному мнению помните, что

приготовленные продукты можно хранить меньшее время, чем свежие. Холодильное отделение оборудовано удобной полкой, высота которой может регулироваться благодаря специальным направляющим, это позволяет размещать крупные упаковки. Не ставьте в холодильник жидкости в емкостях без крышки во избежание повышения влажности – что ведет к повышению температуры в холодильной камере.

Рекомендации по экономии электроэнергии

Правильно устанавливайте холодильник

На расстоянии от источников тепла, в хорошо проветриваемом помещении, в соответствии с рекомендациями параграфа «Установка» (Вентиляция).

Правильно установите температуру

Установите терморегулятор в среднее положение. Установка излишне низкой температуры скажется только на повышении расхода электроэнергии, но не улучшит сохранность продуктов.

Не переполняйте

Для сохранности продуктов важна достаточная циркуляция воздуха. Переуплотнение продуктами мешает свободной циркуляции воздуха, правильной работе холодильника и вызывает дополнительный расход электроэнергии.

Держите дверь закрытой

Открывайте дверь только при необходимости, помните, что каждое открывание двери несколько повышает температуру внутри холодильника и на восстановление прежней температуры затрачивается электроэнергия.

Закрывайте плотно

Следите за тем, чтобы уплотнительная резина на двери холодильника оставалась чистой и плотно прилегала к корпусу при закрытии, это позволит избежать утечки холодного воздуха.

Не помещайте горячую пищу

Горячие продукты, помещенные в холодильник, немедленно повышают температуру на несколько градусов. Дайте остыть продуктам и посуде до комнатной температуры перед тем, как помещать их в холодильник.

Обслуживание и уход

Перед выполнением любых операций по мойке и обслуживанию отсоедините холодильник от электросети.

Размораживание

Внимание: не используйте для ускорения процесса размораживания предметы, которые могут поцарапать стенки холодильника или нарушить герметичность отделений холодильника.

Размораживание холодильного отделения

Холодильное отделение размораживается автоматически; образующаяся вода поступает в дренажную систему, затем испаряется теплом компрессора. Единственное, что Вам необходимо делать для обслуживания холодильного отделения - следить, чтобы дренажное отверстие, которое находится за ящиком для овощей и фруктов, не было засорено.

Размораживание морозильного отделения

Со временем на внутренних стенках морозильного отделения нарастает иней, который следует удалять специальным пластмассовым скребком, поставляемым вместе с холодильником.

При толщине инея более 5 мм следует разморозить морозильное отделение. Поставьте ручку терморегулятора **A** в положение «0» и отключите холодильник от электросети. На время размораживания заверните замороженные продукты в несколько слоев газет и поместите их, по возможности, в холодное место. Оставьте дверь открытой для того, чтобы иней растаял быстрее. Удалите скопившуюся влагу мягкой х/б тканью. Вымойте и тщательно высушите камеры перед повторным включением.

Обслуживание и уход

• Ваш холодильник изготовлен из не пахнущих гигиеничных материалов. Для сохранения этих характеристик, всегда храните сильно пахнущие продукты в плотно закрывающихся контейнерах, чтобы избежать образования запахов, которые потом будет сложно удалить.

• Внутренние и внешние поверхности холодильника мойте губкой или мягкой тканью, смоченной в растворе пищевой соды в теплой воде (сода также является хорошим дезинфектором).

При отсутствии пищевой соды используйте нейтральное моющее средство.

• Никогда не используйте органические растворители, абразивные, хлор- и аммиак содержащие вещества.

• Все съемные части можно мыть раствором мыла или моющего средства в воде. Также их можно мыть в посудомоечной машине. Помните, что все съемные части необходимо тщательно высушить перед тем, как поставить их обратно в холодильник.

• Пыль может скапливаться на конденсаторе холодильника и препятствовать его нормальной работе. Осторожно пропылесосьте заднюю стенку холодильника, используя подходящие насадки.

• Если вы не собираетесь использовать холодильник продолжительное время, разморозьте его, вымойте внутри, высушите и оставьте дверь приоткрытой, чтобы избежать образования неприятного запаха и плесени.

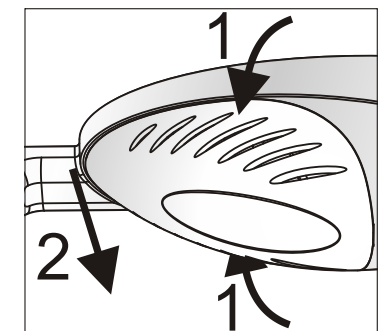
• В результате температурных деформаций составных частей холодильного прибора может слышаться «потрескивание», что не является дефектом и не влияет на работоспособность прибора. Характерные звуки включения терморегулятора и компрессора являются нормальными звуками, возникающими при работе электрооборудования прибора.

• Не располагайте горячие (свыше 60° C) предметы на верхней плоскости холодильника.

Замена лампы освещения

(не является гарантийным ремонтом).

Отключите холодильник от сети, вынув вилку из розетки. Лампа внутреннего освещения находится в задней части корпуса плафона освещения. Выверните лампу и замените ее аналогичной (мощностью не более 15 Вт), как показано на рис.



Устранение неисправностей

В случае неудовлетворительной работы холодильника или возникновения неисправностей прочитайте этот раздел, прежде чем вызывать техников. В большинстве случаев Вы можете решить возникшие проблемы сами.

Холодильник не работает

Проверьте, что:

- в доме не отключено электричество;
- вилка надежно вставлена в розетку;
- розетка исправна; для проверки подключите устройство, в исправности которого Вы уверены;

Температура в отделениях холодильника слишком высокая

Проверьте, что:

- дверцы отделений закрыты плотно, уплотнения на дверцах не повреждены;
- ручка терморегулятора находится в правильном положении;
- отделения не переполнены продуктами;
- дверь холодильника не открывали часто.

Продукты в холодильном отделении переохлаждаются

Проверьте, что:

- ручка терморегулятора находится в правильном положении;
- продукты не касаются задней части холодильника - она очень холодная.

Постоянно работает компрессор

Проверьте, что:

- дверь холодильника плотно закрывается и открывается не слишком часто;
- температура в помещении не слишком высокая;
- ручка терморегулятора находится в правильном положении.

Холодильник слишком шумит при работе

Проверьте, что:

- холодильник выровнен.
- холодильник не касается посторонних предметов (например, окружающей мебели).
- Хладагент, циркулирующий внутри системы охлаждения, может негромко булькать, даже если компрессор не работает. Не беспокойтесь, это совершенно нормально.

В холодильном отделении скапливается вода

Проверьте, что:

- дренажное отверстие не засорено.

Если после проверки холодильник продолжает работать не должным образом, свяжитесь с авторизованным сервисным центром, обслуживающим продукцию марки **Indesit**.

• **Не пользуйтесь услугами лиц, не уполномоченных производителем.**

Технические данные

Наименование параметра	Значение
Габаритные размеры: высота/ширина/глубина, см	85/60/61.5
Общий объем брутто, дм ³	119
Объем брутто МО, дм ³	14
Общий объем для хранения, дм ³	108
Объем для хранения МО, дм ³	14
Система охлаждения	Статическая
Рекомендуемая равномерная нагрузка на полку, кг, не более	16/30
Температура окружающей среды при эксплуатации, °C	от +16 до +32
Класс энергетической эффективности	B
Потребление энергии, кВт·ч/24 часа	0.61
Количество компрессоров	1
Масса нетто, кг	48
Установленный срок службы, лет	10
Средний срок службы, лет	15

ЭНЕРГЕТИЧЕСКАЯ ЭФФЕКТИВНОСТЬ ХОЛОДИЛЬНЫХ ПРИБОРОВ

Изготовитель	 Indesit	
Модель	TT 85	
Максимально эффективный		
Минимально эффективный		
Потребление электроэнергии, кВт·ч/год		223
Общий объем для хранения свежих продуктов, дм ³		105
Общий объем для хранения замороженных продуктов, дм ³		14
Символы маркировки самого холодного отделения		
Корректированный уровень звуковой мощности, дБа		42
Экологическая чистота хладагента	Да	
Этикетка эффективности: ГОСТ Р 51565-2000 ГОСТ Р 51388-99 DIN FN153-90 Директива 86/594/ЕЕС (для NF)		