

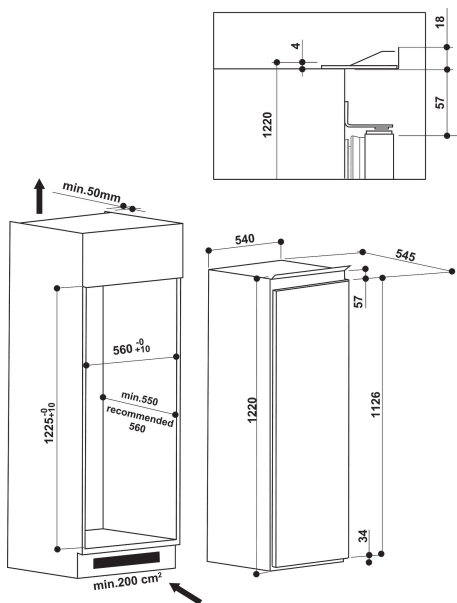
# ARG 8511

12NC: 859991607370

GTIN (EAN) code: 8003437046056

**Whirlpool**

SENSING THE DIFFERENCE



## MAIN FEATURES

Product group	Hladnjak
Commercial code	ARG 8511
GTIN (EAN) code	8003437046056
Construction type	Ugradbeni
Installation type	Djelomično integrirana
Type of control	Electronic
Type of control settings	LED
Main colour of product	Inox
Electrical connection rating (W)	75
Current (A)	13
Voltage (V)	220-240
Frequency (Hz)	50
Length of Electrical Supply Cord (cm)	200
Plug type	Schuko
Total volume of the product (EU 2017/1369)	209
Star Rating	Automatsko
Number of independent cooling systems	1
Height of the product	1220
Width of the product	540
Depth of the product	545
Depth with open door 90 degree (mm)	N/A
Maximum adjustability feet	0
Net weight (kg)	38
Door hinge	Right reversible

## TECHNICAL FEATURES

Temperature adjustable	Yes
Warning signal / Malfunction	Visual
Defrost process fridge section	Automatsko
Fast cooling possibility	Ne
Interior ventilator fridge section	Ne
Shelves for Bottles	Ne
Lockable door	Ne
Number of shelves in fridge compartment	5
Number of Adjustable Shelves in fridge compartment	4
Material of the shelves	Glass With Profile
Thermometer fridge section	None

## ENERGY LABEL

Energy Efficiency Class (Regulation (EU) 2017/1369)	F
Annual energy consumption in kilowatt hour per year (kWh/a) (EU) 2017/1369	127
The sum of the volumes of the chill compartments and the unfrozen compartments (EU 2017/1369)	209
The sum of the volumes of the frozen compartments (EU 2017/1369)	0
Freezing Capacity (kg/24h) (4-star Compartment) (EU2017/1369)	0,0
Climate Class (EU) 2017/1369	prošireni umjereni/suptropski
Airborne acoustical noise emissions (EU 2017/1369)	35
Airborne acoustical noise emission class (EU 2017/1369)	B
Maximum ambient temperature (EU) 2017/1369	38
Minimum ambient temperature (EU) 2017/1369	10