

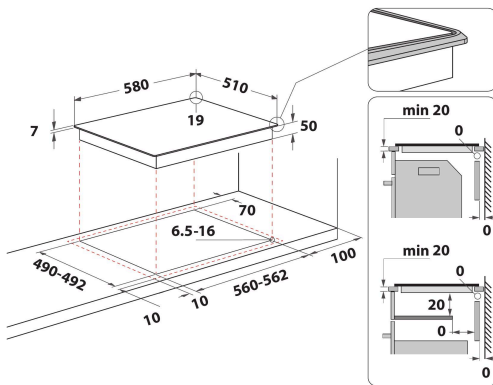
AKM 613/IX/01

12NC: 859990964190

GTIN (EAN) code: 8003437343346

Whirlpool

SENSING THE DIFFERENCE



MAIN FEATURES

Product group	Hob
Construction type	Built-in
Type of control	Mechanical
Type of control settings	-
Number of gas burners	0
Number of electric cooking zones	4
Number of electric plates	0
Number of radiant plates	4
Number of halogen plates	0
Number of induction plates	0
Number of electric warming zones	0
Location of control panel	Lateral
Basic surface material	Glass
Main colour of product	Crno
Electrical connection rating (W)	5800
Gas connection rating (W)	0
Gas type	N/A
Current (A)	25,8
Voltage (V)	220-230
Frequency (Hz)	50/60
Length of Electrical Supply Cord (cm)	120
Plug type	Ne
Gas connection	N/A
Width of the product	580
Height of the product	50
Depth of the product	510
Minimum niche height	40
Minimum niche width	560
Niche depth	490
Net weight (kg)	8
Automatic programmes	Ne

TECHNICAL FEATURES

Power on indicator	Yes
Number of indicators	1
Type of regulation	Radiant
Type of lid	Without
Residual heat indicator	Without
Main on/off switch	Ne
Safety device	-
Timer	Ne

ENERGY LABEL

Energy input	Electric
--------------	----------