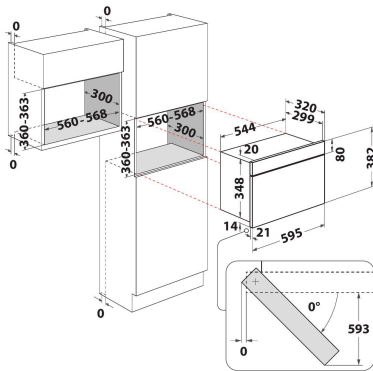


# MWI 6211 IX

12NC: F102699

GTIN (EAN) code: 8050147026991

**Indesit**  
Life proof.



## MAIN FEATURES

Product group	Microwave
Commercial code	MWI 6211 IX
Main colour of product	Nerez
Type of micro-wave oven	MW only
Construction type	Vstavaná
Type of control	Electronic
Type of control settings	LED
Additional cooking method Grill	Nie
Crisp	Nie
Steam	Nie
Additional cooking method Fan cooking	Nie
Clock	Áno
Automatic programmes	Nie
Height of the product	382
Width of the product	595
Depth of the product	320
Minimum niche height	360
Minimum niche width	556
Niche depth	300
Net weight (kg)	21
Cavity capacity (l)	22
Turntable	Áno
Turntable diameter (mm)	250
Integrated Cleaning system	Nie

## TECHNICAL FEATURES

Current (A)	10
Voltage (V)	230
Frequency (Hz)	50
Length of Electrical Supply Cord (cm)	135
Plug type	Schuko
Timer	Áno
Grill power (W)	0
Type of grill	N/A
Cavity material	Painted
Interior light	Áno
Additional cooking method Grill	Nie
Position of interior lights of the cavity	Right side

## ENERGETICKÝ ŠTÍTK

6th Sense / Dynamic Intelligence	Nie
Number of power levels	4
Maximum micro-wave power (W)	750
Rozmrazovanie pečiva	Nie
Jet defrost	Áno
Jet start	Áno