

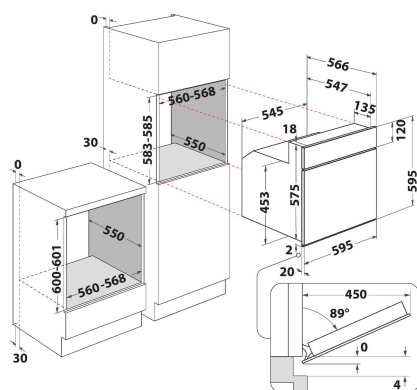
# AKP 786 NB

12NC: 857778601520

GTIN (EAN) code: 8003437937965

**Whirlpool**

SENSING THE DIFFERENCE



## PÕHIOMADUSED

|                                       |                           |
|---------------------------------------|---------------------------|
| Product group                         | Oven                      |
| Commercial code                       | AKP 786 NB                |
| Main colour of product                | Black                     |
| Construction type                     | Built-in                  |
| Type of control                       | Mechanical and electronic |
| Type of control settings              | -                         |
| Are any hobs controls integrated?     | No                        |
| Which kind of hobs can be controlled? | -                         |
| Automatic programmes                  | No                        |
| Current (A)                           | 16                        |
| Voltage (V)                           | 220-240                   |
| Frequency (Hz)                        | 50/60                     |
| Length of Electrical Supply Cord (cm) | 120                       |
| Plug type                             | No                        |
| Depth with open door 90 degree (mm)   | -                         |
| Height of the product                 | 595                       |
| Width of the product                  | 595                       |
| Depth of the product                  | 564                       |
| Minimum niche height                  | 0                         |
| Minimum niche width                   | 0                         |
| Niche depth                           | 0                         |
| Net weight (kg)                       | 33                        |
| Usable volume (of cavity)             | 60                        |
| Integrated Cleaning system            | Catalytic partial         |
| Grids of the cavity                   | 1                         |
| Trays                                 | 2                         |

## TEHNILISED OMADUSED

|   |                |
|---|----------------|
| Timer                                     | -              |
| Time control                              | Electronic     |
| Time-setting options                      | Start and Stop |
| Safety device                             | -              |
| Interior light                            | Yes            |
| Number of interior lights of the cavity   | 1              |
| Position of interior lights of the cavity | Rear           |
| Oven guides of the cavity                 | Telescopic     |
| Probe of the cavity                       | No             |

## ENERGIAMÄRGIS

|   |             |
|---|-------------|
| Energy input  | Electric    |
| Type of energy of the cavity  | Electricity |
| Energy efficiency class - NEW (2010/30/EU)                            | A           |
| Energy consumption per cycle conventional - NEW (2010/30/EU)          | 0.87        |
| Energy consumption per cycle forced air convection - NEW (2010/30/EU) | 0.78        |