



**THANK YOU FOR BUYING A WHIRLPOOL PRODUCT**  
In order to receive a more complete assistance, please register your product on [www.whirlpool.eu/register](http://www.whirlpool.eu/register)



**Before using the appliance carefully read the Safety Instruction.**

## PRODUCT DESCRIPTION

### FIRST TIME USE

#### AIR VENT (FOR THE SUCTION VERSIONS)

Connect the hood and discharge holes on the walls with a diameter equivalent to the air outlet (connection flange).

Using the tubes and discharge holes on walls with smaller dimensions will cause a diminution of the suction performance and a drastic increase in noise.

Any responsibility in the matter is therefore declined.

! Use a duct of the minimum indispensable length.

! Use a duct with as few elbows as possible (maximum elbow angle: 90°).

! Avoid drastic changes in the duct cross-section.

! The company declines any responsibility whenever these regulations are not respected.

#### FILTERING OR DUCTING?

! Your cooker hood is ready to be used in suction version.

To use the hood in filtering version the special ACCESSORY KIT must be installed.

Check if the ACCESSORY KIT is furnished or must be bought separately.

Note: If furnished, in certain cases, the additional activated carbon filtering

system may be installed on the hood. Information about the conversion of the hood from suction version to filtering version is present in the Manual "Safety Instructions & Installation".



#### DUCTING VERSION

In this case the fumes are conveyed outside of the building by means of a special pipe connected with the connection ring located on top of the hood.

**Attention!** The exhausting pipe is not supplied and must be purchased apart. Diameter of the exhausting pipe must be equal to that of the connection ring.

**Attention!** If the hood is supplied with active charcoal filter, then it must be removed.



#### FILTER VERSION

The aspirated air will be degreased and deodorised before being fed back into the room.

In order to use the hood in this version, you have to install a system of additional filtering based on activated charcoal.

### CONTROL PANEL



- T1.** ON/OFF "Night Light"
- T2.** Hob lights ON/OFF – Select the colour temperature
- T3.** "Autolight" function
- T4.** "ZEN Mode" function
- T5.** Motor ON/OFF
- T6.** "POWER BOOST 1" function
- T7.** "POWER BOOST 2" function
- T8.** Automatic "COOKSENSE" function
- T9.** Filter saturation indicator
- T10.** ON/OFF "Breath Daily Cycle"
- T11.** ON/OFF "Breath Intensive Cycle"
- T12.** Light indicator for WI-FI function active
- T13.** WI-FI connection

#### T1. ON/OFF "NIGHT LIGHT"

Press to switch the soft background lighting on or off.

#### T2. HOB LIGHTS ON/OFF – SELECT THE COLOUR TEMPERATURE

Press to switch the hob lights on or off.

- With the lights on, swipe the **SL1** LED strip with your finger to increase or decrease the light intensity (to the right or left respectively).  
Press and hold to set the light colour temperature.
- Swipe the **SL1** LED strip with your finger to set a colder or warmer colour (to the right or left respectively).  
If you do not change the colour for five seconds, **SL1** will flash at the colour setting you have selected and an audible signal will sound to indicate that the system has saved this configuration.

NB: the light will come on at the last colour temperature set before switching off the appliance.

#### T3. "AUTOLIGHT" FUNCTION

Press to activate/deactivate the "Autolight" automatic lighting function.

NB: this function is only activated when the hood is connected via wi-fi to the hob. Once the function has been activated, the hob light is automatically managed on the basis of the hob status.

#### T4. "ZEN MODE" FUNCTION

Press to activate or deactivate the "ZEN" extraction mode.

This function makes it possible to activate an extraction speed with the perfect balance between quietness and extraction efficiency.

#### T5. MOTOR ON/OFF

Press to switch the extraction motor on or off.

- With the motor on, swipe the **SL2** LED strip with your finger to increase or decrease the extraction speed (power) (to the right or left respectively).

#### T6. "POWER BOOST 1" FUNCTION

With the extraction motor on, press T6 to activate the "POWER BOOST 1" intensive extraction speed (time-controlled).

NB: the hood will go back to its previous speed after five minutes.

#### T7. "POWER BOOST 2" FUNCTION

With the extraction motor on, press T7 to activate the "POWER BOOST 2" intensive extraction speed (time-controlled).

Please note: the hood will go back to running at the speed it was previously using after five minutes.

## T8. AUTOMATIC "COOKSENSE" FUNCTION

The hood will automatically set an extraction speed of 1, and then increase it if necessary (according to the ambient conditions detected by the hood sensor).

If the hood is using extraction speed 1 and there is no change in the ambient conditions, it will switch off after 5 minutes.

NB: to make sure this function is used correctly, please configure the parameters for automatic mode first as described in the relevant section.

NB: if you change any other speed control functions while automatic mode is active, the auto ventilation function will switch off.

## T9. FILTER SATURATION INDICATOR

At regular intervals, the hood signals the need to perform filter maintenance.

Please note: The indicators will only work when the hood is on.

**T9** button lit: carry out maintenance on the grease filter.

**T9** button flashing: carry out maintenance on the carbon filter.

Resetting the filter saturation indicators:

Please note: This must be done with the hood switched on.

Press and hold the **T9** button. The light will switch off to confirm the reset.

**Activating the carbon filter saturation indicator.**

Please note: This must be done with the extraction motor switched off.

**This indicator is normally deactivated. It should be activated if the hood is installed in the filtering version (i.e. with carbon filters).**

Press and hold buttons **T1** and **T10** simultaneously to activate the function. The buttons will light up to indicate activation.

To deactivate the function, press and hold the same buttons (**T1** and **T10**) again. The buttons will flash briefly and then switch off to indicate deactivation.

## T10. ON/OFF "BREATH DAILY CYCLE"

The hood will automatically set an extraction speed of 1, and then increase it if necessary (according to the ambient conditions detected by the hood sensor).

If the extraction speed does not change owing to the ambient conditions detected, the hood will switch off after two hours.

The hood will switch off in any case after five hours in use, regardless of the operating mode.

Please note: to make sure this function is used correctly, please configure the parameters for automatic mode first as described in the relevant section.

## T11. ON/OFF "BREATH INTENSIVE CYCLE"

The hood will automatically set an extraction speed of 5, and then increase it if necessary (according to the ambient conditions detected by the hood sensor).

If the extraction speed does not change owing to the ambient conditions detected, the hood will switch off after two hours. The hood will switch off in any case after five hours in use, regardless of the operating mode.

Please note: to make sure this function is used correctly, please configure the parameters for automatic mode first as described in the relevant section.

## T12. LIGHT INDICATOR FOR WI-FI FUNCTION ACTIVE

The indicator comes on when the hood is controlled from a distance via the app.

## T13. WI-FI CONNECTION

Press to activate/deactivate the WI-FI functions.

This function allows the hood to be connected to the Internet so you can monitor/control it from a distance via a smartphone or tablet.

To use the WI-FI function, connect the appliance to the domestic wireless network (Internet) following the configuration procedure explained in the "WI-FI MANUAL".

## CONFIGURING THE PARAMETERS FOR AUTOMATIC MODE

To make sure that automatic mode is used correctly, you will need to calibrate the hood and select the hob type.

**Calibrating the hood**

NB: this must be done with the appliance on standby - i.e. one minute after switching off the motor.

Press and hold the **T4** button for five seconds.

Extraction speed 1 will be activated and the **T4** button will flash to indicate that hood calibration has started (this will take approx. 5 minutes).

Please note: To stop the calibration process, press and hold the **T4** button for five seconds. Calibration will then be invalidated and will therefore need to be repeated.

Please note: Calibration will be carried out automatically when the power supply to the product is switched on for the first time. **T4** will flash. Wait 5 minutes for the calibration to be completed.

**Selecting the hob type**

NB: this must be done with the appliance on standby - i.e. one minute after switching off the motor.

Press and hold the **T10** and **T11** buttons for five seconds.

The **T10** and **T11** buttons will light up.

If using gas to power the hob, press the **T10** button – the button will flash to indicate that this has been selected.

If using electricity to power the hob, press the **T11** button – the button will flash to indicate that this has been selected.

Once pressed, the button will flash for three seconds to indicate that your selection has been saved.

## TECHNICAL DATA

Height (cm)	Width (cm)	Depth (cm)	Ø of exhaust tube (cm)
110 - 129.5	89.8	32	15

## CLEANING AND MAINTENANCE

### CLEANING

- **Do not use steam-cleaning equipment.**
- **Disconnect the appliance from the mains.**

**Important:** do not use corrosive or abrasive detergents. If any such products unintentionally come into contact with the appliance, clean the appliance immediately with a damp cloth. Do not use alcohol.

- Clean the surfaces with a damp cloth. If it is very dirty, add a few drops of washing-up detergent to the water. Finish off with a dry cloth.

**Important:** do not use abrasive sponges or metallic scrapers or scourers. Over time, these can ruin the enamel surfaces.

- Use detergents specifically designed for cleaning the appliance and follow the manufacturer's instructions.

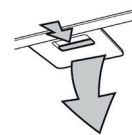
**Important:** clean the filters at least once a month to remove oil and grease residue.

### MAINTENANCE OF THE GREASE FILTERS

This must be cleaned once a month (or when the filter saturation indication system - if envisaged on the model in possession - indicates this necessity) using non aggressive detergents, either by hand or in the dishwasher, which must be set to a low temperature and a short cycle. When washed in a dishwasher, the grease filter may discolour slightly, but this does not affect its filtering capacity.

Pull out the handle to remove the filter.

Once the filter has been washed and left to dry, proceed in reverse order to refit the filter.



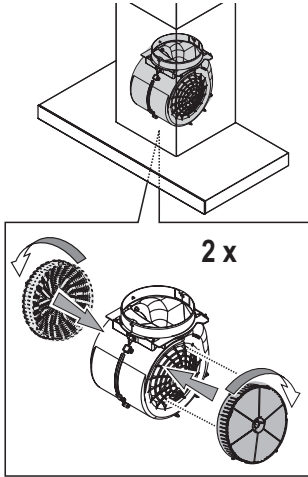
## MAINTENANCE OF THE CHARCOAL FILTER (FOR FILTRATION MODELS ONLY)

This filter retains the unpleasant odours produced during cooking. Saturation of the carbon filter occurs after a relatively long use, however this depends on the type of cooking and how regularly the grease filter is cleaned. Regardless, it is necessary to replace the cartridge every 4 months. It CANNOT be washed or recycled.

### Fitting or replacing the carbon filter

1. Disconnect the hood from the mains.
2. Remove the grease filters.
3. Fit 2 charcoal filters (one each side of the conveyour), bajonet attachment.
4. Reinstall the grease filter in place.

Proceed in reverse order to remove.



## REPLACING THE LAMPS

The hood is equipped with an LED lighting system. LEDs ensure excellent illumination, have a service life up to 10 times longer than traditional bulbs, and offer up to 90% energy savings.

Note: For replacement LED, please contact the Technical After-sales Service Centre.

## WI-FI MANUAL

### LIVE APPLICATION REMOTE CONTROL /SET UP PROCEDURE

The LIVE feature allows to operate and supervise the appliance remotely by external device. To enable the appliance to be remotely controlled, you first have to complete successfully the connectivity set up process. This process is necessary to register your appliance and connect to your home network. The set up procedure has to be carried out only once. You have to carry it out again if you change your router set up properties (network name or password or data provider).

#### 1.1 BEFORE STARTING THE SET UP PROCESS

1. To use this feature You need to own: • a smart phone running Android 4.3 (or higher) with a 1280x720 (or higher) screen or a tablet or a smart phone running iOS 8 (or higher); • a wireless router 2.4Ghz WiFi b/g/n connected to internet (verify with your smart device that the signal strength of your home wireless network close to the appliance is good).
2. Download & Install the free application: LIVE on your Android smart-phone or iPad/iPhone from the store. The App will guide you, step by step, through the installation process.

If You do not have an account already, create one and subscribe (legal terms) to service to be able to benefit the features provided through the app.

3. Register your appliance following the App instructions. For the registration process You will need the Smart Appliance Identifier (SAID) number, sticker on the appliance. The SAID is composed by numbers and letters (10 chars). You can take a note of your appliance SAID here:

SAID ... ..

#### 1.2 PROVISIONING

- Before starting the installation process turn on your router and verify that the wireless signal of your home router is reaching the appliance. To verify the Wifi strength signal use a Tablet or Smart-phone connected only to the Wi-Fi router, disable any other data connections, and place the device close to the appliance. Open any internet web page in a browser and check that it is downloaded fast correctly. If the internet connection of your

home is working correctly but the page is not downloaded, you may need to install a Wi-Fi extender device (not provided with the appliance).

- If your router supports WPS 2.0 (or gather), follow one of the two manual setup procedures to connect your appliance to router. If your router is not supported by WPS, follow the manual setup procedure.

### Follow the instructions on your 6th Sense Live application on your smartphone to connect the appliance to your wifi network.

Otherwise read the next paragraphs for automatic or manual connection.

#### 1.2.1 AUTOMATIC SETUP INSTRUCTION (FIRST TIME USE) – WPS METHOD

This procedure is applicable only if your router supports WPS2.0 (or greater)

1. On your appliance activate the provisioning process by pressing and hold for three seconds the connectivity button (an acoustical feedback is played). The appliance is being set to a "search" mode for a local network. The Connectivity icon on the appliance starts blinking fast.
2. On wireless router press the WPS button to establish a connection between the two products. An indicator light on your router will begin blinking.
3. When the appliance successfully connects to the local router, the wifi icon switches from fast to slow blinking (supported not in all appliances).
4. The appliance try to connect to Backend system. Connectivity icon becomes steady. If the wifi icon does not stop blinking after few minutes, then the appliance has failed to find the connections to home network using WPS. Try the procedure again and if not successful, then use one of the two manual setup instructions.
5. You can abort the WiFi connection procedure by pressing the connectivity button.

### 1.2.2 MANUAL SETUP INSTRUCTION (FIRST TIME USE) - SCAN TO CONNECT METHOD

This procedure uses the QR Code applied on the WiFi Label and is applicable if Your router does not support WPS.

1. Turn ON your router and make sure the Internet connections is working.
2. On your appliance activate the provisioning process by pressing the connectivity button (one acoustical feedback is played) • you should see the wifi icon blinking on appliance HMI.
3. Turn ON your smart device (Phone or Tablet) and follow the instruction on the app.
4. The wifi icon on the appliance should stop blinking and turn ON permanently once connected.
5. The setup process is complete.
6. You can abort the WiFi connection procedure by pressing the connectivity button.

### 1.2.3 MANUAL SETUP INSTRUCTION (FIRST TIME USE) - UACCESS POINT METHOD

This procedure uses the Micro Access Point technology and is applicable if Your router does not support WPS.

1. Before starting the setup procedure please take note of the home wireless network name (SSID), its PASSWORD and the SAID of appliance. They will be required during the installation process.
2. Turn ON your router and make sure the Internet connections is working.
3. On your appliance activate the provisioning process by pressing and hold for 5 seconds the connectivity button (two acoustical feedbacks are played, one after 3 seconds, one after 5 seconds) • you should see the wifi icon blinking on appliance HMI.
4. Turn ON your smart device (Phone or Tablet), access your list of available wireless networks in the setting menu.
5. The appliance has created a wireless network (SSID), then select it from the list of available wireless networks. The network name is made up of the prefix depending from your appliance type (washer, dryer, ...) followed by the MAC address (ex. VENTIL\_88\_E7\_12\_xx\_yy\_zz). If you don't see it, you may need to refresh the list of networks or verify the wifi icon is on on the product display.
6. Once you have selected the SSID, password will required. Use the SAID (see "Before starting the set up process") as a password (i.e.. 444441ABCD).  
**Note:** This password is case sensitive. Then connect to the network.
7. Wait until your device confirm to be connected to appliance WiFi network.
8. Open a web browser. If nothing appears, type "192.168.10.1" in the address bar (URL) and press Enter. The browser display a SMART web page. It is the configuration page of the WiFi radio of your appliance.
9. In the drop down list of available networks, select the name of your home wireless network.



10. If home wireless network is hidden, select "Other" (->) and manually enter its name (SSID) and security protocol.



11. Enter password for your home wireless network, if required, and

submit. Remember this kind of password is case sensitive.



12. Click the button "→" to submit and wait for few seconds.
13. The wifi icon on the appliance should stop blinking and turn ON permanently once connected. Otherwise, disconnect and reconnect appliance to main power and repeat the procedure.
14. The setup process is complete.

### 1.3 SWITCH OFF / ON WI-FI FEATURE

To switch off the connection of the appliance to the wifi network, press and hold for 5 seconds the connectivity button on the appliance (one acoustical feedback is played). The wifi icon on the appliance display should turn off.

To turn on again the wifi connection on the appliance, press the wifi button on the remote control.

When appliance is provisioned, user can disengage this function and disconnect it from the wifi network by pressing and hold for 10 seconds the connectivity button on the appliance (two acoustical feedbacks are played, one after 5 seconds, one after 10 seconds). The wifi icon on the appliance display should turn off.

To connect the appliance again to the home wifi network follow the procedure on paragraph "provisioning".

### 1.4 REMOTE CONTROL / DAILY USE

This feature may be implemented depending from the appliance type.

1. Make sure the Your router is ON and connected to the Internet.
2. Make sure the WiFi Connection State indicator status on the product's display is solid.
3. Use the Whirlpool App to control the appliance by remote, so You can:
  - check your appliance and activate options also when you are out of home.
  - access additional functions, for instance the smart energy mode.
  - optimize energy consumptions leveraging for example the best energy tariff.
  - access further information on best use of your appliance.
  - receive feedback about appliance status in case of alarms.

### 1.5 QUICK IDENTIFICATION OF APPLIANCE CONNECTION STATE

If WiFi Connection State indicator on appliance display blinks fast, then Appliance is searching connection to router. If it blinks slowly, then Appliance is connected to router but it is not able to connect to internet (for example ADSL not working) some appliance type doesn't support slow blinking but only blinking feature.

If solid ON Appliance is connected to internet and to the Whirlpool's cloud system.

### 1.6 WIFI FAQs

#### Which WiFi protocols are supported?

The WiFi adapter installed supports WiFi b/g/n for European countries.

#### Which settings need to be configured in the router software?

The following router settings are required: 2.4 GHz enabled, WiFi b/g/n, DHCP and NAT activated.

#### Which Version of WPS is supported?

WPS 2.0 or higher. Check the router documentation.

#### Are there any differences between using a smartphone (or tablet) with Android or iOS?

You can use whichever operating system you prefer, it makes no difference.

#### Can I use mobile 3G tethering instead of a router?

Yes, but cloud services are designed for permanently connected devices.

#### How can I check whether my home Internet connection is working and wireless functionality is enabled?

You can search for your network on your smart device. Disable any other data connections before trying.



### How can I check whether the appliance is connected to my home wireless network?

Access your router configuration (see router manual) and check whether the appliance's MAC address is listed on wireless connected devices page.

### Where can I find the appliance's MAC address?

Look on your appliance:

There is a label showing the SAID and MAC addresses.

The Mac address consists of a combination of numbers and letters starting with "88:e7".

### How can I check whether the appliance's wireless functionality is enabled?

Use your smart device and the 6th Sense Live app to check whether the appliance network is visible and connected to the cloud.

### Is there anything that can prevent the signal reaching the appliance?

Check that the devices you have connected are not using up all the available bandwidth.

Make sure that your WiFi-enabled devices do not exceed the maximum number permitted by the router.

### How far should the router be from the appliance?

Normally the WiFi signal is strong enough to cover a couple of rooms, but this very much depends on the material the walls are made of. You can check the signal strength by placing your smart device next to the appliance.

### What can I do if my wireless connection does not reach the appliance?

You can use specific devices to extend your home WiFi coverage, such as access points, WiFi repeaters and power line bridges (not provided with appliance).

### How can I find out the name of and password for my wireless network?

See the router documentation. There is usually a sticker on the router showing the information you need to reach the device setup page

using a connected device.

### What can I do if my router is using the neighbourhood WiFi channel?

Force the router to use your home WiFi channel.

### What can I do if the Connection State indicator continues to blink slowly and never lights solid on or unable to make a stable provision to home router?

The appliance might have successfully connected to the router, but it is not able to access the Internet. To connect the appliance to the Internet, you will need to check the router and/or carrier settings.

Router settings: NAT must be on, firewall and DHCP must be properly configured. Password encryption supported: WEP, WPA, WPA2. To try a different encryption type, please refer to the router manual.

Carrier settings: If your Internet service provider has fixed the number of MAC addresses able to connect to the Internet, you may not be able to connect your appliance to the cloud.

The MAC address of a device is its unique identifier. Please ask your Internet service provider how to connect devices other than computers to the Internet.

### How can I check whether data is being transmitted?

After setting up the network, switch the power off, wait 20 seconds and then power the appliance: Check that the app is showing the UI status of the appliance.

Some settings take several seconds to appear in the app.

### How can I change my Whirlpool account but keep my appliances connected?

You can create a new account, but remember to remove your appliances from your old account before moving them to your new one.

### I changed my router – what do I need to do?

You can either keep the same settings (network name and password) or delete the previous settings from the appliance and configure the settings again.

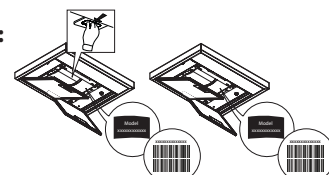
## TROUBLESHOOTING

Problem	Solutions
The appliance does not work.	<ul style="list-style-type: none"><li>• Check the mains voltage and whether the appliance is connected to the power supply;</li><li>• Check that a speed has been selected;</li><li>• Switch the appliance off and on again to see if the fault persists.</li></ul>
The hood is not extracting air sufficiently.	<ul style="list-style-type: none"><li>• Check that the air extraction speed is set to the desired level;</li><li>• Check that the filters are clean;</li><li>• Check the air vents for any obstructions.</li></ul>
The hood has turned off during normal functioning.	<ul style="list-style-type: none"><li>• Check that the power has not been disconnected;</li><li>• Check that the omnipolar disconnection device has not tripped.</li></ul>



You can download the Safety Instructions, User Manual, Product Fiche and Energy data by:

- Visiting our website [docs.whirlpool.eu](https://docs.whirlpool.eu)
- Using QR Code
- Alternatively, **contact our After-sales Service** (See phone number in the warranty booklet). When contacting our After-sales Service, please state the codes provided on your product's identification plate.



# Whirlpool



400011234626