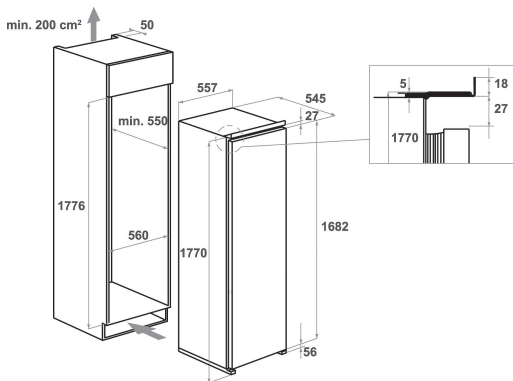


# KCBFS 18602.1 (UK)

12NC: 85999155950

GTIN (EAN) code: 8003437042782

**KitchenAid**



## MAIN FEATURES

Product group	Freezer
Commercial code	KCBFS 18602.1 (UK)
GTIN (EAN) code	8003437042782
Construction type	Built-in
Installation type	Full-integrated
Type of control	Electronic
Main colour of product	White
Electrical connection rating (W)	130
Current (A)	13
Voltage (V)	220-240
Frequency (Hz)	50
Length of Electrical Supply Cord (cm)	200
Plug type	UK
Total unit net capacity (l)	203
Height of the product	1771
Width of the product	557
Depth of the product	545
Maximum adjustability feet	0
Net weight (kg)	58
Gross weight (kg)	60
Door hinge	-

## TECHNICAL FEATURES

Defrost process	Frost-free
Fast freezing function	Yes
Refrigerator section with thaw water drainage system	Yes
Number of drawers/baskets	8
Lockable door	No
Thermometer freezer section	N/A
Interior light	-

## PERFORMANCES

Energy efficiency class - NEW (2010/30/EU)	A++
Freezing capacity (kg/24h) - NEW (2010/30/EU)	19
Temperature rise time (h)	23
Climate class	SN-T
Frost free system	Freezer
Freezer Net capacity (l) - NEW (2010/30/EU)	203