

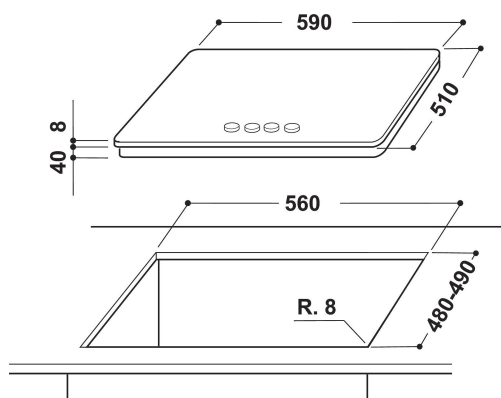
# GOA 6425/WH

12NC: 859991030000

GTIN (EAN) code: 8003437831331

Whirlpool

SENSING THE DIFFERENCE



## MAIN FEATURES

Product group	Ploča za kuhanje
Construction type	Ugradbeni
Type of control	Mechanical
Type of control settings	-
Number of gas burners	4
Number of electric cooking zones	0
Number of electric plates	0
Number of radiant plates	0
Number of halogen plates	0
Number of induction plates	0
Number of electric warming zones	0
Location of control panel	Front
Basic surface material	Glass
Main colour of product	White
Electrical connection rating (W)	0
Gas connection rating (W)	8000
Current (A)	0,6
Voltage (V)	220-240
Frequency (Hz)	50/60
Length of Electrical Supply Cord (cm)	85
Plug type	Ne
Gas connection	-
Width of the product	590
Height of the product	49
Depth of the product	510
Minimum niche height	41
Minimum niche width	560
Niche depth	490
Net weight (kg)	12.5
Automatic programmes	Ne

## TECHNICAL FEATURES

Power on indicator	Ne
Number of indicators	0
Type of regulation	Semirapid
Type of lid	Without
Residual heat indicator	Without
Main on/off switch	Ne
Safety device	-
Timer	Ne

## ENERGY LABEL

Energy input	Gaz
--------------	-----