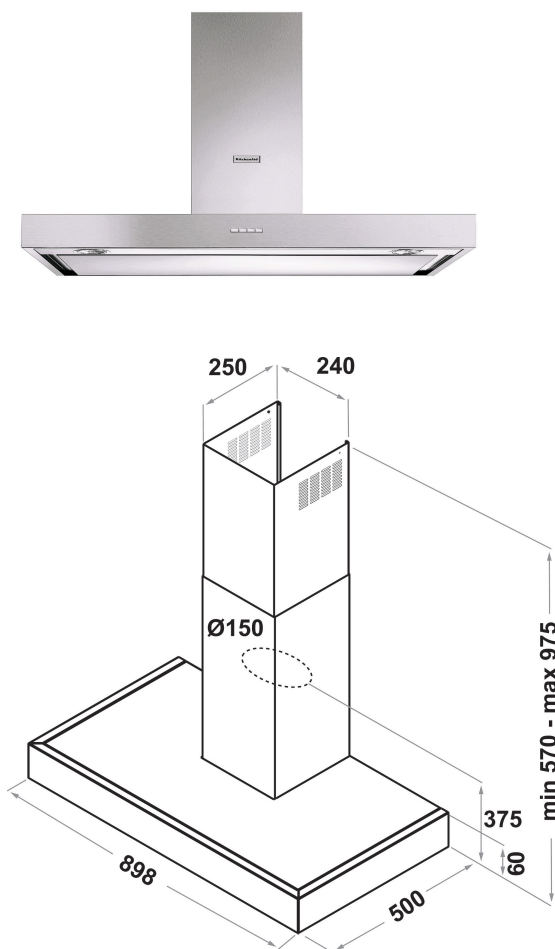


KEWTP 90010

12NC: 851348901100

GTIN (EAN) code 8003437221620

KitchenAid



MAIN FEATURES

Product group	Hood
Colour body	Inox
Material body	Stainless steel antifinger print
Colour chimney	Inox
Material chimney	Stainless steel antifinger print
Typology	Manual
Installation type	Wall-mounted
Type of control	Electronic
Type of control settings	-
Decor panel options	N/A
Motor location	Integrated motor in hood chimney
Operating Mode	Convertible
Electrical connection rating (W)	215
Current (A)	0,9
Voltage (V)	220-240
Frequency (Hz)	50/60
Length of Electrical Supply Cord (cm)	150
Plug type	Schuko
Chimney height (mm)	225-630
Height of product, without chimney (mm)	570
Height of the product	975
Width of the product	898
Depth of the product	500
Minimum niche height	0
Minimum niche width	0
Niche depth	0
Net weight (kg)	18.85

TECHNICAL FEATURES

Type of manual control devices	Backlit soft buttons
Type of automatic control devices	-
Number of motors	1
Total power of the motors (W)	175
Number of speed settings: boost option availability	3
Boost presence	No
Maximum output air extraction (m ³ /h)	581
Boost position air extraction (m ³ /h)	0
Maximum output recirculating air (m ³ /h)	288
Boost position output recirculating (m ³ /h)	0
Light Control Type	On/Off
Number of lights	2
Type of lamps used	Halogen
Total power of the lamps (W)	40
Diameter of air outlet (mm)	150
No-return airflow flap	No
Grease filter material	Washable aluminium
Odour filter	No

PERFORMANCES

Sound power at min. speed (2010/30/EU)	46
Sound power at max. speed (2010/30/EU)	67

KEWTP 90010

KitchenAid

12NC: 851348901100

GTIN (EAN) code 8003437221620

PERFORMANCES

Noise level with boost position (dB(A) re 1 pW)	0
---	---