

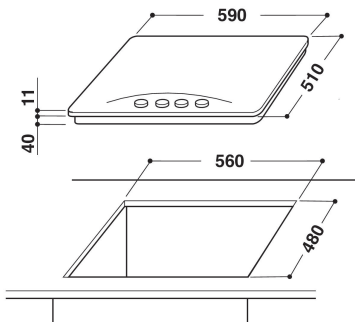
# AKM 528/AE

12NC: 857152810730

EAN code: -

**Whirlpool**

SENSING THE DIFFERENCE



## MAIN FEATURES

Product group	Hob
Construction type	Вбудована
Type of control	Mechanical
Type of control setting and signalling devices	N/A
Number of gas burners	4
Number of electric cooking zones	0
Number of electric plates	0
Number of radiant plates	0
Number of halogen plates	0
Number of induction plates	0
Number of electric warming zones	0
Location of control panel	Hob Front
Basic surface material	Enamelled
Main colour of product	Avena
Electrical connection rating (W)	0
Gas connection rating (W)	7300
Current (A)	0,6
Voltage (V)	230
Frequency (Hz)	50
Length of Electrical Supply Cord (cm)	85
Plug type	Hi
Gas connection	Cilindric
Width of the product	590
Height of the product	40
Depth of the product	520
Minimum niche height	20
Minimum niche width	558
Niche depth	480
Net weight (kg)	11
Automatic programmes	Hi

## TECHNICAL FEATURES

Power on indicator	Hi
Plate on indicator	0
Type of regulation	Rapid
Type of lid	Glass
Residual heat indicator	without
Main on/off switch	Hi
Safety device	Yes
Timer	Hi

## ENERGY LABEL

Energy input

Gas