

AKP 543 IX

12NC: 857754301500

GTIN (EAN) code: 8003437935916

Whirlpool

SENSING THE DIFFERENCE



Whirlpool built in electric oven: inox color - AKP 543 IX

This Whirlpool built in Oven features: advanced electric technology allowing you to cook dishes saving energy. Halogen lamp allowing a more energy-efficient performance.

Multifunction 5

Multiple cooking methods. The Multifunction 5 feature offers flexible cooking options, to ensure perfect results, whatever the recipe.

Small cavity

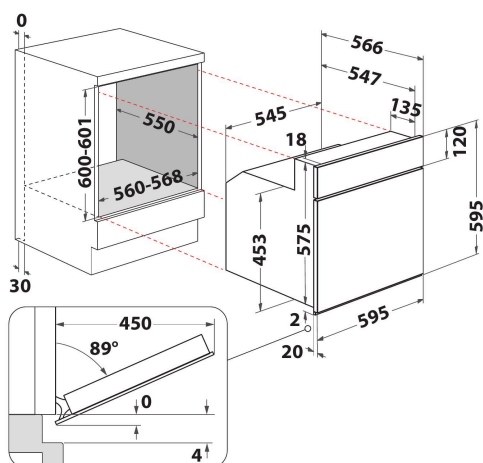
This Whirlpool Oven features a compact-size cavity.

Energy class

Outstanding energy savings. Ovens with an A/ A+ energy rating offer an excellent level of energy efficiency, ensuring lower consumption and saving you money on your energy bills.

Energy class A

Energy efficient. With its A energy rating, this Whirlpool appliance will allow you to enjoy both ideal performance and excellent energy consumption.



- Energy class A
- Cavity 56 L
- Defrost function
- Grill
- Easy Clean Enamel Interior
- Turbo grill function
- Pastry function
- Conventional Cooking
- Metal handle
- Door Glasses Number: 2
- Grill 1400 W
- 2 Grids
- 1 Tray
- Mirror Glass and N/A Bottom Front Trim
- Dimensions HxWxD: 595x595x564 mm
- Product Segment: Genesis 2012
- Inox finishing

AKP 543 IX

12NC: 857754301500

GTIN (EAN) code: 8003437935916

Whirlpool

SENSING THE DIFFERENCE

MAIN FEATURES


Product group	Oven
Commercial code	AKP 543 IX
Main colour of product	Inox
Construction type	Built-in
Type of control	Mechanical
Type of control settings	-
Are any hobs controls integrated?	Yes
Which kind of hobs can be controlled?	-
Automatic programmes	No
Current (A)	13
Voltage (V)	230-400
Frequency (Hz)	50
Length of Electrical Supply Cord (cm)	90
Plug type	No
Depth with open door 90 degree (mm)	-
Height of the product	595
Width of the product	595
Depth of the product	564
Minimum niche height	0
Minimum niche width	0
Niche depth	0
Net weight (kg)	34
Usable volume (of cavity)	56
Integrated Cleaning system	No
Grids of the cavity	2
Trays	1

TECHNICAL FEATURES

Timer	No
Time control	No control of the time
Time-setting options	No delay options
Safety device	-
Interior light	Yes
Number of interior lights of the cavity	1
Position of interior lights of the cavity	Rear
Oven guides of the cavity	Wall-embedded
Probe of the cavity	No


PERFORMANCES

Energy input	Electric
Type of energy of the cavity	Electricity
Energy efficiency class - NEW (2010/30/EU)	A
Energy consumption per cycle conventional - NEW (2010/30/EU)	0.75
Energy consumption per cycle forced air convection - NEW (2010/30/EU)	0.84




ENERG Y UA
енергия · ενεργεια IE 1A


WHIRLPOOL AKP 543 IX




A



56 L



0.75 kWh/cycle*



0.84 kWh/cycle*

* цистерна · cylindus · partion · zylinder · nádókapacitás · cido · tsükkel · ohjelma · ciklus · ciklus · ciklu · cycles · cykl · ciclu · program · cycle

65/2014