

# Instructions for use

WASHING MACHINE

GB

## Contents

**GB**

English,1

**IT**

Italiano,13

**PL**

Polski,25

**RO**

Română,37

**CZ**

Česky,49

**FR**

Français,61

**DE**

Deutsch,73

**WMUG 501**

### **Installation, 2-3**

Unpacking and levelling  
Connecting the electricity and water supplies  
The first wash cycle  
Technical data

### **Care and maintenance, 4**

Cutting off the water and electricity supplies  
Cleaning the washing machine  
Cleaning the detergent dispenser drawer  
Caring for the door and drum of your appliance  
Cleaning the pump  
Checking the water inlet hose

### **Precautions and tips, 5**

General safety  
Disposal

### **Description of the washing machine, 6-7**

Control panel  
Display

### **Running a wash cycle, 8**

### **Wash cycles and options, 9**

Table of programmes and wash cycles  
Wash options

### **Detergents and laundry, 10**

Detergent dispenser drawer  
Preparing the laundry  
Special wash cycles

### **Troubleshooting, 11**

### **Service, 12**

 **Hotpoint**  

---

**ARISTON**

# Installation

GB

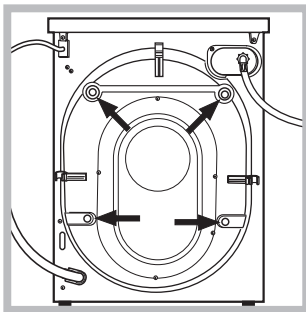
! This instruction manual should be kept in a safe place for future reference. If the washing machine is sold, transferred or moved, make sure that the instruction manual remains with the machine so that the new owner is able to familiarise himself/herself with its operation and features.

! Read these instructions carefully: they contain vital information relating to the safe installation and operation of the appliance.

## Unpacking and levelling

### Unpacking

1. Remove the washing machine from its packaging.
2. Make sure that the washing machine has not been damaged during the transportation process. If it has been damaged, contact the retailer and do not proceed any further with the installation process.

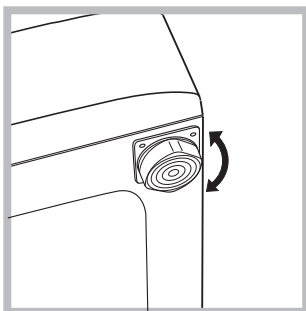


3. Remove the 4 protective screws (used during transportation) and the rubber washer with the corresponding spacer, located on the rear part of the appliance (see figure).

4. Close off the holes using the plastic plugs provided.
5. Keep all the parts in a safe place: you will need them again if the washing machine needs to be moved to another location.

! Packaging materials should not be used as toys for children.

### Levelling

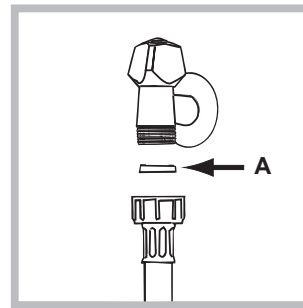


1. Install the washing machine on a flat sturdy floor, without resting it up against walls, furniture cabinets or anything else.
2. If the floor is not perfectly level,

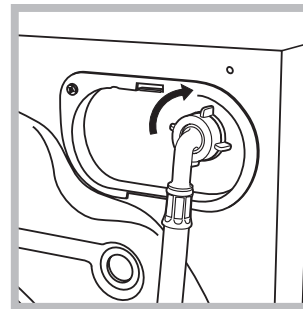
compensate for any unevenness by tightening or loosening the adjustable front feet (see figure); the angle of inclination, measured in relation to the worktop, must not exceed 2°. Levelling the machine correctly will provide it with stability, help to avoid vibrations and excessive noise and prevent it from shifting while it is operating. If it is placed on carpet or a rug, adjust the feet in such a way as to allow a sufficient ventilation space underneath the washing machine.

## Connecting the electricity and water supplies

### Connecting the water inlet hose



1. Insert seal A into the end of the inlet hose and screw the latter onto a cold water tap with a 3/4 gas threaded mouth (see figure). Before making the connection, allow the water to run freely until it is perfectly clear.



2. Connect the inlet hose to the washing machine by screwing it onto the corresponding water inlet of the appliance, which is situated on the top right-hand side of the rear part of the appliance (see figure).

3. Make sure that the hose is not folded over or bent.

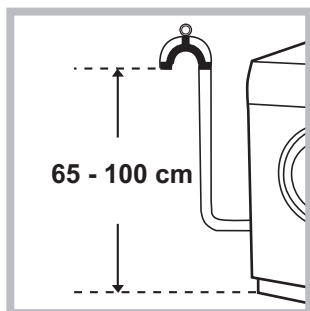
! The water pressure at the tap must fall within the range of values indicated in the Technical data table (see next page).

! If the inlet hose is not long enough, contact a specialised shop or an authorised technician.

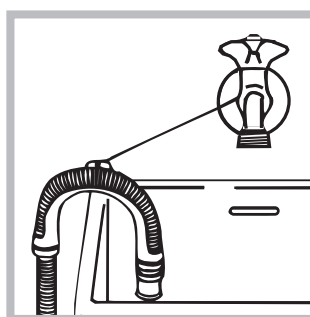
! Never use second-hand hoses.

! Use the ones supplied with the machine.

## Connecting the drain hose



Connect the drain hose, without bending it, to a drain duct or a wall drain situated between 65 and 100 cm from the floor;



alternatively, placed it over the edge of a basin, sink or tub, fastening the duct supplied to the tap (see figure). The free end of the hose should not be underwater.

! We advise against the use of hose extensions; if it is absolutely necessary, the extension must have the same diameter as the original hose and must not exceed 150 cm in length.

## Electrical connections

Before plugging the appliance into the electricity socket, make sure that:

- the socket is earthed and complies with all applicable laws;
- the socket is able to withstand the maximum power load of the appliance as indicated in the Technical data table (see opposite);
- the power supply voltage falls within the values indicated in the Technical data table (see opposite);
- the socket is compatible with the plug of the washing machine. If this is not the case, replace the socket or the plug.

! The washing machine must not be installed outdoors, even in covered areas. It is extremely dangerous to leave the appliance exposed to rain, storms and other weather conditions.

! When the washing machine has been installed, the electricity socket must remain within easy reach.

! Do not use extension cords or multiple sockets.

! The cable should not be bent or compressed.

! The power supply cable must only be replaced by authorised technicians.

Warning! The company shall not be held responsible in the event that these standards are not observed.

## The first wash cycle

Once the appliance has been installed, and before you use it for the first time, run a wash cycle with detergent and no laundry, using wash cycle number "Auto Clean" (see "Cleaning the washing machine").

### Technical data

<b>Model</b>	WMUG 501
<b>Dimensions</b>	width 59,5 cm height 85 cm depth 34,8 cm
<b>Capacity</b>	from 1 to 5 kg
<b>Electrical connections</b>	please refer to the technical data plate fixed to the machine
<b>Water connections</b>	maximum pressure 1 MPa (10 bar) minimum pressure 0.05 MPa (0.5 bar) drum capacity 34 litres
<b>Spin speed</b>	up to 1000 rotations per minute
<b>Test wash cycles in accordance with directives 1061/2010 1015/2010</b>	programme 3 ; Cotton Standard 60°C; programme 4 ; Cotton Standard 40°C.



This appliance conforms to the following EC Directives:

- 2004/108/EC (Electromagnetic Compatibility)
- 2006/95/EC (Low Voltage)
- 2012/19/EU

# Care and maintenance

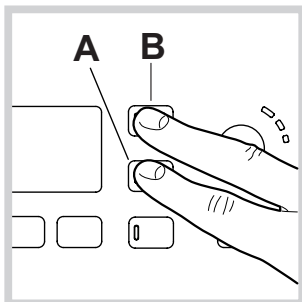
GB

## Cutting off the water and electricity supplies

- Turn off the water tap after every wash cycle. This will limit wear on the hydraulic system inside the washing machine and help to prevent leaks.
- Unplug the washing machine when cleaning it and during all maintenance work.

## Cleaning the washing machine

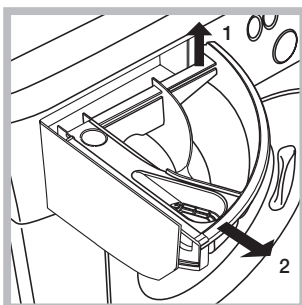
- The outer parts and rubber components of the appliance can be cleaned using a soft cloth soaked in lukewarm soapy water. Do not use solvents or abrasives.
- The washing machine has a “Auto Clean” programme for its internal parts that **must be run with no load in the drum**.



To help the wash cycle you may want to use either the detergent (i.e. a quantity 10% the quantity specified for lightly-soiled garments) or special additives to clean the washing machine. We recommend running a

cleaning programme every 40 wash cycles. To start the programme press buttons **A** and **B** simultaneously for 5 seconds (see figure). The programme will start automatically and will run for about 70 minutes. To stop the cycle press the START/PAUSE button.

## Cleaning the detergent dispenser drawer



Remove the dispenser by raising it and pulling it out (see figure). Wash it under running water; this operation should be repeated frequently.

## Caring for the door and drum of your appliance

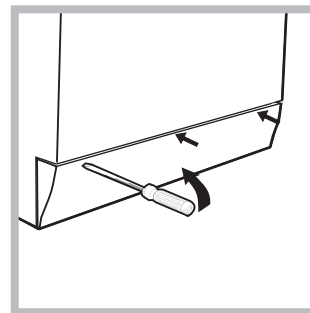
- Always leave the porthole door ajar in order to prevent unpleasant odours from forming.

## Cleaning the pump

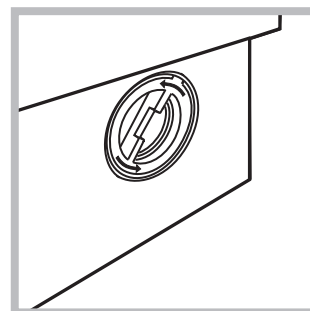
The washing machine is fitted with a self-cleaning pump which does not require any maintenance. Sometimes, small items (such as coins or buttons) may fall into the pre-chamber which protects the pump, situated in its bottom part.

- ! Make sure the wash cycle has finished and unplug the appliance.

To access the pre-chamber:



1. using a screwdriver, remove the cover panel on the lower front part of the washing machine (see figure);



2. unscrew the lid by rotating it anti-clockwise (see figure): a little water may trickle out. This is perfectly normal;

3. clean the inside thoroughly;
4. screw the lid back on;
5. reposition the panel, making sure the hooks are securely in place before you push it onto the appliance.

## Checking the water inlet hose

Check the inlet hose at least once a year. If there are any cracks, it should be replaced immediately: during the wash cycles, water pressure is very strong and a cracked hose could easily split open.

- ! Never use second-hand hoses.

# Precautions and tips

---

! This washing machine was designed and constructed in accordance with international safety regulations. The following information is provided for safety reasons and must therefore be read carefully.

## General safety

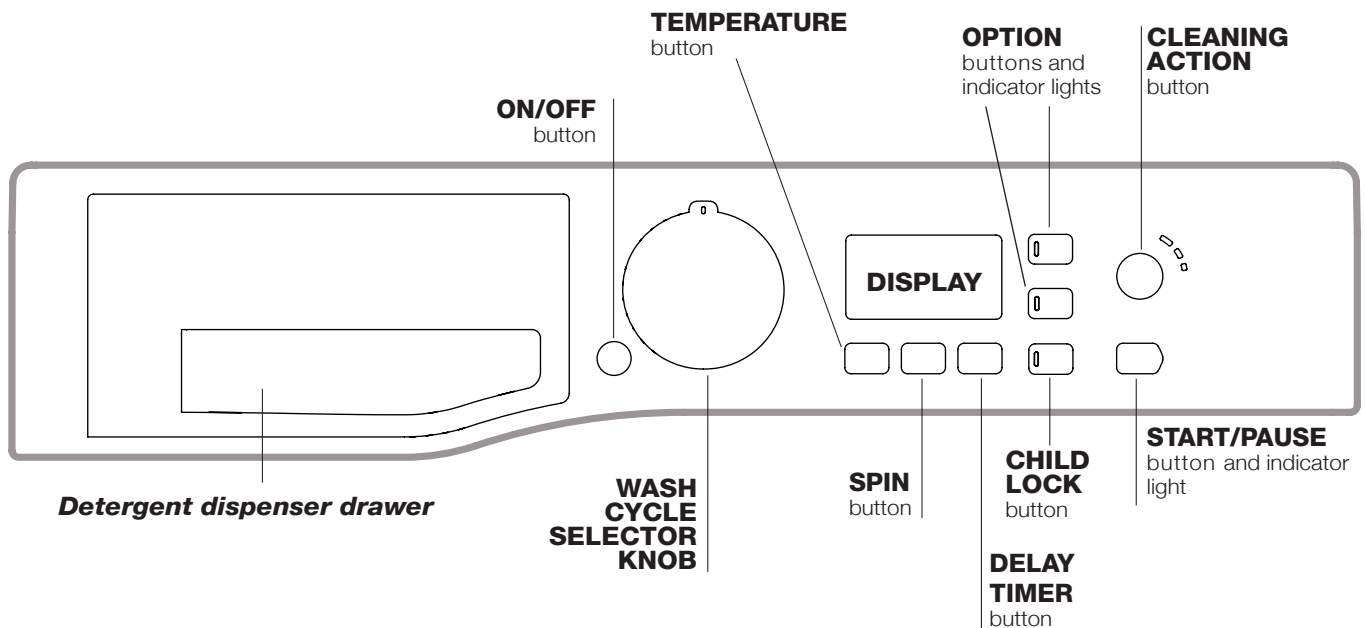
- This appliance was designed for domestic use only.
- This appliance can be used by children aged from 8 years and above and persons with reduced physical, sensory or mental capabilities or lack of experience and knowledge if they have been given supervision or instruction concerning use of the appliance in a safe way and understand the hazards involved. Children shall not play with the appliance. Cleaning and user maintenance shall not be made by children without supervision.
- Do not touch the machine when barefoot or with wet or damp hands or feet.
- Do not pull on the power supply cable when unplugging the appliance from the electricity socket. Hold the plug and pull.
- Do not open the detergent dispenser drawer while the machine is in operation.
- Do not touch the drained water as it may reach extremely high temperatures.
- Never force the porthole door. This could damage the safety lock mechanism designed to prevent accidental opening.
- If the appliance breaks down, do not under any circumstances access the internal mechanisms in an attempt to repair it yourself.
- Always keep children well away from the appliance while it is operating.
- The door can become quite hot during the wash cycle.
- If the appliance has to be moved, work in a group of two or three people and handle it with the utmost care. Never try to do this alone, because the appliance is very heavy.
- Before loading laundry into the washing machine, make sure the drum is empty.

## Disposal


- Disposing of the packaging materials: observe local regulations so that the packaging may be re-used.
- The European Directive 2012/19/EU on Waste Electrical and Electronic Equipment, requires that old household electrical appliances must not be disposed of in the normal unsorted municipal waste stream. Old appliances must be collected separately in order to optimise the recovery and recycling of the materials they contain and reduce the impact on human health and the environment. The crossed out “wheeled bin” symbol on the product reminds you of your obligation, that when you dispose of the appliance it must be separately collected. Consumers should contact their local authority or retailer for information concerning the correct disposal of their old appliance.

# Description of the washing machine

## Control panel



**Detergent dispenser drawer:** used to dispense detergents and washing additives (see “Detergents and laundry”).


**ON/OFF**  button: press this briefly to switch the machine on or off. The START/PAUSE indicator light which flashes slowly in a green colour shows that the machine is switched on. To switch off the washing machine during the wash cycle, press and hold the button for approximately 3 seconds; if the button is pressed briefly or accidentally the machine will not switch off.


If the machine is switched off during a wash cycle, this wash cycle will be cancelled.


**WASH CYCLE SELECTOR KNOB:** used to set the desired wash cycle (see “Table of programmes and wash cycles”).


**OPTION** buttons and indicator lights: press to select the available options. The indicator light corresponding to the selected option will remain lit.



**CLEANING ACTION** button : to select the desired wash intensity.

**TEMPERATURE**  button: press to reduce or completely exclude the temperature; the value appears on the display.

**SPIN**  button: press to reduce or completely exclude the spin cycle; the value appears on the display.

**DELAYED START**  button: press to set a delayed start for the selected wash cycle; the delay period appears on the display.

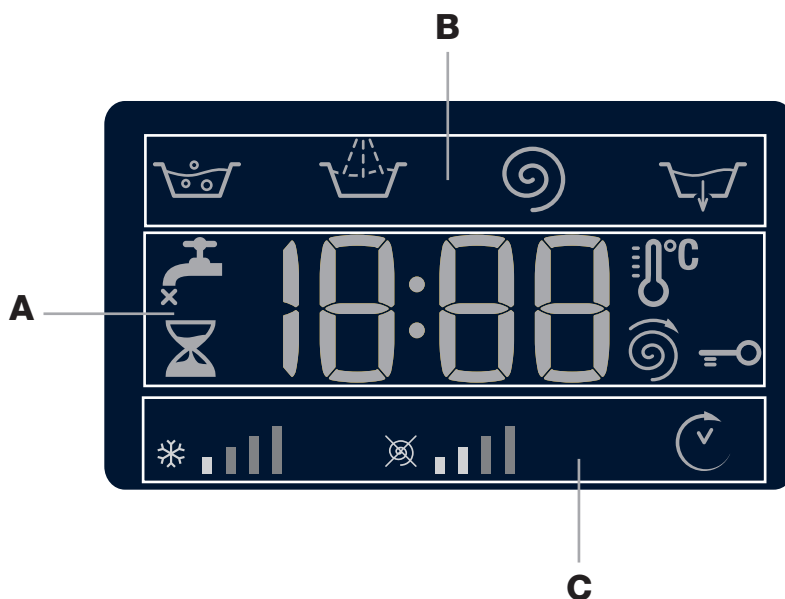
**START/PAUSE** button and indicator light: when the green indicator light flashes slowly, press the button to start a wash cycle. Once the cycle has begun the indicator light will remain lit in a fixed manner. To pause the wash cycle, press the button again; the indicator light will flash in an amber colour. If the  symbol is not illuminated, the door may be opened (wait approximately 3 minutes). To start the wash cycle from the point at which it was interrupted, press the button again.

**CHILD LOCK** button : to activate the control panel lock, press and hold the button for approximately 2 seconds. When the symbol  is illuminated, the control panel is locked (apart from the ON/OFF button). This means it is possible to prevent wash cycles from being modified accidentally, especially where there are children in the home. To deactivate the control panel lock, press and hold the button for approximately 2 seconds.

### Standby mode

This washing machine, in compliance with new energy saving regulations, is fitted with an automatic standby system which is enabled after about 30 minutes if no activity is detected. Press the ON-OFF button briefly and wait for the machine to start up again.

## Display







The display is useful when programming the machine and provides a great deal of information.

The duration of the available wash cycles and the remaining time of a running cycle appear in section **A**; if the DELAYED START option has been set, the countdown to the start of the selected wash cycle will appear.

Pressing the corresponding button allows you to view the maximum spin speed and temperature values attained by the machine during the set wash cycle, or the values selected most recently, if these are compatible with the set wash cycle.

The “wash cycle phases” corresponding to the selected wash cycle and the “wash cycle phase” of the running wash cycle appear in section **B**:

-  Main wash
-  Rinse
-  Spin
-  Pump out

The icons corresponding to “temperature”, “spin” and “delayed start” (working from the left) are displayed in section **C**.


The “temperature” bars  indicate the maximum temperature level which may be selected for the set cycle.

The “spin” bars  indicate the maximum spin level which may be selected for the set cycle.

The “delay” symbol , when lit, indicates that the set “delayed start” value has appeared on the display.


### **DOOR LOCKED** indicator light:

The lit symbol indicates that the door is locked. To prevent any damage, wait until the symbol turns off before opening the door (wait approximately 3 minutes).




To open the door while a cycle is in progress, press the START/PAUSE button; if the DOOR LOCKED  symbol is switched off the door may be opened (wait approximately 3 minutes).

# Running a wash cycle

GB


1. **SWITCH THE MACHINE ON.** Press the  button; the START/PAUSE indicator light will flash slowly in a green colour.
2. **LOAD THE LAUNDRY.** Open the porthole door. Load the laundry, making sure you do not exceed the maximum load value indicated in the table of programmes and wash cycles on the following page.
3. **MEASURE OUT THE DETERGENT.** Pull out the detergent dispenser drawer and pour the detergent into the relevant compartments as described in “*Detergents and laundry*”.
4. **CLOSE THE DOOR.**
5. **SELECT THE WASH CYCLE.** Use the WASH CYCLE SELECTOR knob to select the desired wash cycle. A temperature and spin speed is set for each wash cycle; these values may be adjusted. The duration of the cycle will appear on the display.

6. **CUSTOMISE THE WASH CYCLE.** Use the relevant buttons:


 **Modify the temperature and/or spin speed.** The machine automatically displays the maximum temperature and spin speed values set for the selected cycle, or the most recently-used settings if they are compatible with the selected cycle. The temperature can be decreased by pressing the  button, until the cold wash “OFF” setting is reached. The spin speed may be progressively reduced by pressing the  button, until it is completely excluded (the “OFF” setting). If these buttons are pressed again, the maximum values are restored.

! Exception: if the 3 programme is selected, the temperature can be increased up to a value of 90°C.


#### **Setting a delayed start.**

To set a delayed start for the selected cycle, press the corresponding button repeatedly until the required delay period has been reached. When this option has been activated, the  symbol lights up on the display. To remove the delayed start setting, press the button until the text “OFF” appears on the display.


#### **Set the desired wash intensity.**

Option  makes it possible to optimise washing based on the level of soil in the fabrics and on desired wash cycle intensity.

Select the wash programme: the cycle will be automatically set to “Normal” as optimised for garments with an average level of soil (this setting is not applicable to the “Wool” cycle, which is automatically set to “Delicate”).

For heavily-soiled garments press  button until the “Intensive” level is reached. This level ensures a high-performance wash due to a larger quantity of water used in the initial phase of the cycle and due to increased drum rotation. It is useful when removing the most stubborn stains.

It can be used **with** or **without** bleach. If you desire bleaching, insert the extra tray compartment (4) into compartment 1. When pouring in the bleach, be careful not to exceed the “max” level marked on the central pivot (see figure pag. 10).

For lightly-soiled garments or a more delicate treatment of the fabrics, press  button until the “Delicate” level is reached. The cycle will reduce drum rotation to ensure washing results that are perfect for delicate garments.

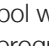
#### **Modify the cycle settings.**


- Press the button to enable the option; the indicator light corresponding to the button will switch on.
- Press the button again to disable the option; the indicator light will switch off.

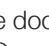
! If the selected option is not compatible with the set wash cycle, the indicator light will flash and the option will not be activated.


! If the selected option is not compatible with a previously selected one, the indicator light corresponding to the first function selected will flash and only the second option will be activated; the indicator light for the option which has been activated will be illuminated.

! The options may affect the recommended load value and/or the duration of the cycle.

7. **START THE WASH CYCLE.** Press the START/PAUSE button. The corresponding indicator light will turn green, remaining lit in a fixed manner, and the door will be locked (the DOOR LOCKED  symbol will be lit). To change a wash cycle while it is in progress, **pause the washing machine** using the START/PAUSE button (the START/PAUSE indicator light will flash slowly in an amber colour); then select the desired cycle and press the START/PAUSE button again.

To open the door while a cycle is in progress, press the START/PAUSE button; if the DOOR LOCKED  symbol is switched off the door may be opened (wait approximately 3 minutes). Press the START/PAUSE button again to restart the wash cycle from the point at which it was interrupted.


8. **THE END OF THE WASH CYCLE.** This will be indicated by the text “END” on the display; when the DOOR LOCKED  symbol switches off the door may be opened (wait approximately 3 minutes). Open the door, unload the laundry and switch off the machine.

! If you wish to cancel a cycle which has already begun, press and hold the  button. The cycle will be stopped and the machine will switch off.



# Wash cycles and options

**Table of programmes and wash cycles**

Wash cycles	Description of the wash cycle	Max. temp. (°C)	Max. speed (rpm)	Detergents				Max. load (kg)	Residual dampness%	Energy consumption kWh	Total water lt	Cycle duration
				Prewash	Wash	Bleach	Fabric softener					
1	Anti Stain	40°	1000	●	●	-	●	3	-	-	-	180'
2	Whites	60°	1000	●	●	-	●	3	-	-	-	190'
3	 Cotton Standard 60° (1): heavily soiled whites and resistant colours.	60° (Max. 90°)	1000	●(3)	●	●	●	5	62	0.83	47.5	200'
4	Cotton Standard 40° (2): lightly soiled resistant and delicate colours.	40°	1000	-	●	●	●	5	62	0.75	48	150'
5	Synthetics: heavily soiled resistant colours.	60°	800	●	●	●	●	3	46	0.88	38	110'
5	Synthetics (4): lightly soiled resistant colours.	40°	800	●	●	●	●	3	46	0.55	37	95'
6	Anti allergy	60°	1000	-	●	●	●	3	-	-	-	185'
7	Baby	40°	1000	●	●	●	●	3	-	-	-	160'
8	Wool: for wool, cashmere, etc.	40°	800	-	●	-	●	1	-	-	-	70'
9	Delicates	30°	0	-	●	-	●	0.5	-	-	-	75'
10	Fast Wash 60': to refresh normal soiled garments quickly (not suitable for wool, silk and clothes which require washing by hand).	60°	1000	-	●	-	●	3.5	62	0.71	35	60'
11	Cotton Standard 20°: lightly soiled resistant and delicate colours.	20°	1000	-	●	●	●	5	-	-	-	230'
12	Eco Cottons	Cold Water	1000	-	●	-	●	5	62	0.17	53	95'
13	Eco Synthetics	Cold Water	800	-	●	-	●	2.5	49	0.11	37	75'
14	Eco Fast 30'	Cold Water	800	-	●	-	●	2.5	71	0.06	30	30'
	Rinse	-	1000	-	-	-	●	5	-	-	-	49'
	Spin and Pump out	-	1000	-	-	-	-	5	-	-	-	16'

The length of cycle shown on the display or in this booklet is an estimation only and is calculated assuming standard working conditions. The actual duration can vary according to factors such as water temperature and pressure, the amount of detergent used, the amount and type of load inserted, load balancing and any wash options selected.

**1) Test wash cycle in compliance with directive 1061/2010: set wash cycle 3 with a temperature of 60°C.**

This cycle is designed for cotton loads with a normal soil level and is the most efficient in terms of both electricity and water consumption; it should be used for garments which can be washed at 60°C. The actual washing temperature may differ from the indicated value.

**2) Test wash cycle in compliance with directive 1061/2010: set wash cycle 4 with a temperature of 40°C.**

This cycle is designed for cotton loads with a normal soil level and is the most efficient in terms of both electricity and water consumption; it should be used for garments which can be washed at 40°C. The actual washing temperature may differ from the indicated value.

**3) At 60 °C the "Prewash" function cannot be selected.**

For all Test Institutes:

2) Long wash cycle for cottons: set wash cycle 4 with a temperature of 40°C.

4) Long wash cycle for synthetics: set wash cycle 5 with a temperature of 40°C.

## Wash options

### Extra Rinse



By selecting this option, the efficiency of the rinse is increased and optimal detergent removal is guaranteed. It is particularly useful for sensitive skin.

! It cannot be used in conjunction with wash cycles 6, 9, 14, .

### Prewash

If this function is selected, the pre-wash cycle will run; this is useful for removing stubborn stains.

**N.B.:** Put the detergent in the relevant compartment.

! It cannot be used in conjunction with wash cycles 3 (60°), 4, 6, 8, 9, 10, 11, 12, 13, 14, , .

# Detergents and laundry

GB

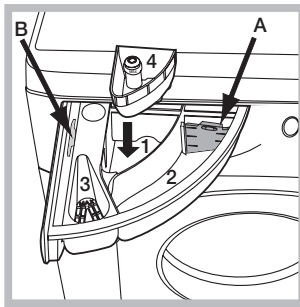
## Detergent dispenser drawer

Successful washing results also depend on the correct dose of detergent: adding too much detergent will not necessarily result in a more efficient wash, and may in fact cause build up on the inside of your appliance and contribute to environmental pollution.

! Use powder detergent for white cotton garments, for pre-washing, and for washing at temperatures over 60°C.

! Follow the instructions given on the detergent packaging.

! Do not use hand washing detergents; they create too much foam.



Open the detergent dispenser drawer and pour in the detergent or washing additive, as follows.

### compartment 1: Pre-wash detergent (powder)

Before pouring in the detergent, make sure that extra compartment 4 has been removed.

### compartment 2: Detergent for the wash cycle (powder or liquid)

If liquid detergent is used, it is recommended that the removable plastic partition A (supplied) be used for proper dosage.

If powder detergent is used, place the partition into slot B.

### compartment 3: Additives (fabric softeners, etc.)

The fabric softener should not overflow the grid.

### extra compartment 4: Bleach

## Preparing the laundry

- Divide the laundry according to:
  - the type of fabric/the symbol on the label
  - the colours: separate coloured garments from whites.
- Empty all garment pockets and check the buttons.
- Do not exceed the listed values, which refer to the weight of the laundry when dry: see "Table of programmes and wash cycles".

### How much does your laundry weigh?

- 1 sheet 400-500 g
- 1 pillow case 150-200 g
- 1 tablecloth 400-500 g
- 1 bathrobe 900-1,200 g
- 1 towel 150-250 g

## Special wash cycles

**Anti Stain:** the programme 1 is suitable to heavily-soiled garments with resistant colours. It ensures a washing class that is higher than the standard class (A class).

When running the programme, do not mix garments of different colours. We recommend the use of powder detergent. Pre-treatment with special additives is recommended if there are obstinate stains.

**Whites:** use this cycle 2 to wash white clothes. The programme is designed to maintain the brightness of white clothes over time. Use powder detergent for best results.


**Anti allergy:** use programme 6 to remove major allergens such as pollen, mites, cat's and dog's hair.

**Baby:** use the special wash cycle 7 to remove the soiling typically caused by babies, while removing all traces of detergent from nappies in order to prevent the delicate skin of babies from suffering allergic reactions. The cycle has been designed to reduce the amount of bacteria by using a greater quantity of water and optimising the effect of special disinfecting additives added to the detergent.

**Wool:** the wool wash cycle on this Hotpoint-Ariston machine has been tested and approved by The Woolmark Company for washing wool garments labelled as hand washable provided that the garments are washed according to the instructions on the garment label and those issued by the manufacturer of this washing machine. Hotpoint-Ariston is the first washing machine brand to be approved by The Woolmark Company for Apparel Care-Platinum for its washing performance and consumption of energy and water.



**Delicates:** use programme 9 to wash very delicate garments having strasses or sequins.

To wash silk garments and curtains select the cycle 9 and set the "Delicate" level from option .

We recommend turning the garments inside out before washing and placing small items into the special bag for washing delicates. Use liquid detergent on delicate garments for best results.

## Eco cycles

The Eco Cycles assure energy saving by eliminating the need of heating water and it's an advantage both to your energy bill and the environment! These innovative Eco programmes (12 Eco Cottons, 13 Eco Synthetics and 14 Eco Fast 30') are available for various fabrics and different quantity of garment; they have been designed to guarantee a high cleaning action even at low temperature and can be used for lightly to medium soiled loads. Eco Cycles give the best results thanks to an intensified wash action, water optimization and are carried out in the same average time of a standard cycle. For the best washing results with Eco Cycles we recommend the usage of a liquid detergent.

**Cotton Standard 20°** ideal for lightly soiled cotton loads. The effective performance levels achieved at cold temperatures, which are comparable to washing at 40°, are guaranteed by a mechanical action which operates at varying speed, with repeated and frequent peaks.

## Load balancing system

Before every spin cycle, to avoid excessive vibrations before every spin and to distribute the load in a uniform manner, the drum rotates continuously at a speed which is slightly greater than the washing rotation speed. If, after several attempts, the load is not balanced correctly, the machine spins at a reduced spin speed. If the load is excessively unbalanced, the washing machine performs the distribution process instead of spinning. To encourage improved load distribution and balance, we recommend small and large garments are mixed in the load.

# Troubleshooting

Your washing machine could occasionally fail to work. Before contacting the Technical Assistance Service (see “Service”), make sure that the problem cannot be solved easily using the following list.

<b>Problem:</b>	<b>Possible causes / Solutions:</b>
<b>The washing machine does not switch on.</b>	<ul style="list-style-type: none"><li>• The appliance is not plugged into the socket fully, or not enough to make contact.</li><li>• There is no power in the house.</li></ul>
<b>The wash cycle does not start.</b>	<ul style="list-style-type: none"><li>• The washing machine door is not closed properly.</li><li>• The ON/OFF button has not been pressed.</li><li>• The START/PAUSE button has not been pressed.</li><li>• The water tap has not been opened.</li><li>• A delayed start has been set.</li></ul>
<b>The washing machine does not fill with water (the text “H2O” flashes on the display).</b>	<ul style="list-style-type: none"><li>• The water inlet hose is not connected to the tap.</li><li>• The hose is bent.</li><li>• The water tap has not been opened.</li><li>• There is no water supply in the house.</li><li>• The pressure is too low.</li><li>• The START/PAUSE button has not been pressed.</li></ul>
<b>The washing machine continuously takes in and drains water.</b>	<ul style="list-style-type: none"><li>• The drain hose is not fitted at a height between 65 and 100 cm from the floor (see “Installation”).</li><li>• The free end of the hose is under water (see “Installation”).</li><li>• The wall drainage system is not fitted with a breather pipe.</li></ul> <p>If the problem persists even after these checks, turn off the water tap, switch the appliance off and contact the Technical Assistance Service. If the dwelling is on one of the upper floors of a building, there may be problems relating to water drainage, causing the washing machine to fill with water and drain continuously. Special anti-draining valves are available in shops and help to prevent this inconvenience.</p>
<b>The washing machine does not drain or spin.</b>	<ul style="list-style-type: none"><li>• The wash cycle does not include draining: some cycles require the draining process to be enabled manually.</li><li>• The drain hose is bent (see “Installation”).</li><li>• The drainage duct is clogged.</li></ul>
<b>The washing machine vibrates a lot during the spin cycle.</b>	<ul style="list-style-type: none"><li>• The drum was not unlocked correctly during installation (see “Installation”).</li><li>• The washing machine is not level (see “Installation”).</li><li>• The washing machine is trapped between cabinets and walls (see “Installation”).</li></ul>
<b>The washing machine leaks.</b>	<ul style="list-style-type: none"><li>• The water inlet hose is not screwed on properly (see “Installation”).</li><li>• The detergent dispenser drawer is blocked (for cleaning instructions, see “Care and maintenance”).</li><li>• The drain hose is not fixed properly (see “Installation”).</li></ul>
<b>The “option” and START/PAUSE indicator lights flash rapidly and an error code appears on the display (e.g.: F-01, F-..).</b>	<ul style="list-style-type: none"><li>• Switch off the machine and unplug it, wait for approximately 1 minute and then switch it back on again.</li></ul> <p>If the problem persists, contact the Technical Assistance Service.</p>
<b>There is too much foam.</b>	<ul style="list-style-type: none"><li>• The detergent is not suitable for machine washing (it should display the text “for washing machines” or “hand and machine wash”, or the like).</li><li>• Too much detergent was used.</li></ul>

# Service

GB

## Before contacting the Technical Assistance Service:

- Check whether you can solve the problem alone (see "Troubleshooting");
- Restart the wash cycle to check whether the problem has been solved;
- If this is not the case, contact an authorised Technical Assistance Centre.

! Always request the assistance of authorised technicians.

## Have the following information to hand:

- the type of problem;
- the appliance model (Mod.);
- the serial number (S/N).

This information can be found on the data plate applied to the rear of the washing machine, and can also be found on the front of the appliance by opening the door.

## COMMISSION DELEGATED REGULATION (EU) No 1061/2010

Brand	HOTPOINT/ARISTON
Model	WMUG 501 EU
Rated capacity in kg of cotton	5.0
Energy efficiency class on a scale from A+++ (low consumption) to G (high consumption)	A+
Energy consumption per year in kWh <sup>1)</sup>	163.0
Energy consumption of the standard 60 °C cotton programme at full load in kWh <sup>2)</sup>	0.834
Energy consumption of the standard 60 °C cotton programme at partial load in kWh <sup>2)</sup>	0.625
Energy consumption of the standard 40 °C cotton programme at partial load in kWh <sup>2)</sup>	0.578
Power consumption of the off-mode in W	0.5
Power consumption of the left-on mode in W	8.0
Water consumption per year in litres <sup>3)</sup>	9733
Spin-drying efficacy class on a scale from G (minimum efficacy) to A (maximum efficacy)	C
Maximum spin speed attained <sup>4)</sup>	1000
Remaining moisture content <sup>5)</sup>	62%
Programme time of the "standard 60 °C cotton" at full load in minutes	200
Programme time of the "standard 60 °C cotton" at partial load in minutes	150
Programme time of the "standard 40°C cotton" at partial load in minutes	145
Duration of the left-on mode in minutes	30
Noise in dB(A) re 1 pW washing <sup>6)</sup>	0
Noise in dB(A) re 1 pW spinning <sup>6)</sup>	0

<sup>1)</sup> The "standard 60°C cotton" at full and partial load and the "standard 40°C cotton" at partial load are the standard washing programmes to which the information in the label and the fiche relates. Standard 60°C cotton and standard 40°C cotton are suitable to clean normally soiled cotton laundry and are the most efficient programmes in terms of combined energy and water consumption. Partial load is half the rated load.

<sup>2)</sup> Based on 220 standard washing cycles for cotton programmes at 60°C and 40°C at full and partial load, and the consumption of the low-power modes. Actual energy consumption will depend on how the appliance is used.

<sup>3)</sup> Based on 220 standard washing cycles for cotton programmes at 60°C and 40°C at full and partial load. Actual water consumption will depend on how the appliance is used.

<sup>4)</sup> For the standard 60 °C at full and partial load or the 40°C at partial whichever is lower.

<sup>5)</sup> Attained for 60 °C cotton at full and partial load or the 40°C at partial whichever is higher.

<sup>6)</sup> Based on washing and spinning phases for the standard 60°C cotton programme at full load.

IT

Italiano

**WMUG 501**

### Sommario

#### **Installazione, 14-15**

Disimballo e livellamento  
Collegamenti idraulici ed elettrici  
Primo ciclo di lavaggio  
Dati tecnici

#### **Manutenzione e cura, 16**

Escludere acqua e corrente elettrica  
Pulire la lavabiancheria  
Pulire il cassetto dei detersivi  
Curare oblò e cestello  
Pulire la pompa  
Controllare il tubo di alimentazione dell'acqua

#### **Precauzioni e consigli, 17**

Sicurezza generale  
Smaltimento

#### **Descrizione della lavabiancheria, 18-19**

Pannello di controllo  
Display

#### **Come effettuare un ciclo di lavaggio, 20**

#### **Programmi e opzioni, 21**

Tabella dei programmi  
Opzioni di lavaggio

#### **Detersivi e biancheria, 22**

Cassetto dei detersivi  
Preparare la biancheria  
Programmi particolari

#### **Anomalie e rimedi, 23**

#### **Assistenza, 24**

Assistenza Attiva 7 giorni su 7

 **Hotpoint**  

---

**ARISTON**

# Installazione

IT

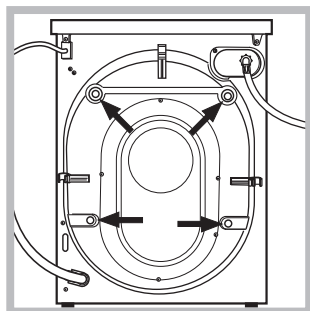
! È importante conservare questo libretto per poterlo consultare in ogni momento. In caso di vendita, di cessione o di trasloco, assicurarsi che resti insieme alla lavabiancheria per informare il nuovo proprietario sul funzionamento e sui relativi avvertimenti.

! Leggere attentamente le istruzioni: ci sono importanti informazioni sull'installazione, sull'uso e sulla sicurezza.

## Disimballo e livellamento

### Disimballo

1. Disimballare la lavabiancheria.
2. Controllare che la lavabiancheria non abbia subito danni nel trasporto. Se fosse danneggiata non collegarla e contattare il rivenditore.



3. Rimuovere le 4 viti di protezione per il trasporto e il gommino con il relativo distanziale, posti nella parte posteriore (vedi figura).

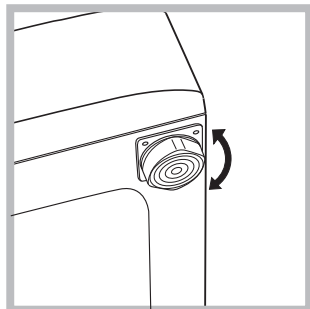
4. Chiudere i fori con i tappi di plastica in dotazione.

5. Conservare tutti i pezzi: qualora la lavabiancheria debba essere trasportata, dovranno essere rimontati.

! Gli imballaggi non sono giocattoli per bambini.

### Livellamento

1. Installare la lavabiancheria su un pavimento piano e rigido, senza appoggiarla a muri, mobili o altro.

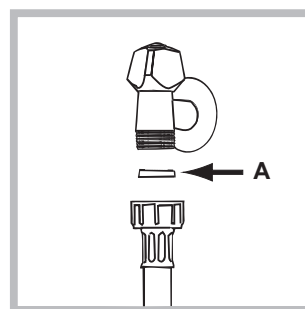


2. Se il pavimento non fosse perfettamente orizzontale, compensare le irregolarità svitando o avvitando i piedini anteriori (vedi figura); l'angolo di inclinazione, misurato sul piano di lavoro, non deve superare i 2°.

Un accurato livellamento dà stabilità alla macchina ed evita vibrazioni, rumori e spostamenti durante il funzionamento. In caso di moquette o di un tappeto, regolare i piedini in modo da conservare sotto la lavabiancheria uno spazio sufficiente per la ventilazione.

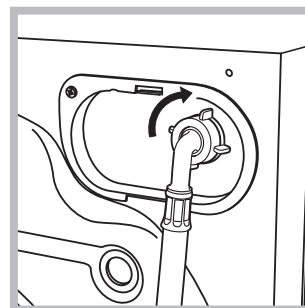
## Collegamenti idraulici ed elettrici

### Collegamento del tubo di alimentazione dell'acqua



1. Inserire la guarnizione A nell'estremità del tubo di alimentazione e avvitarlo a un rubinetto d'acqua fredda con bocca filettata da 3/4 gas (vedi figura). Prima di allacciare, far scorrere l'acqua finché non sia limpida.

Prima di allacciare, far scorrere l'acqua finché non sia limpida.



2. Collegare il tubo di alimentazione alla lavabiancheria avvitandolo all'apposita presa d'acqua, nella parte posteriore in alto a destra (vedi figura).

3. Fare attenzione che nel tubo non ci siano né pieghe né strozzature.

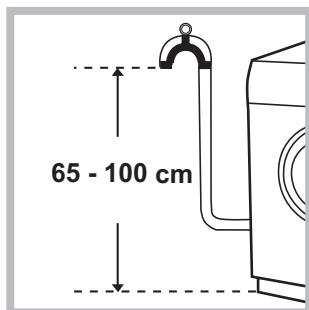
! La pressione idrica del rubinetto deve essere compresa nei valori della tabella Dati tecnici (vedi pagina a fianco).

! Se la lunghezza del tubo di alimentazione non fosse sufficiente, rivolgersi a un negozio specializzato o a un tecnico autorizzato.

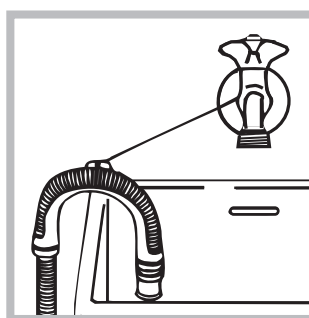
! Non utilizzare mai tubi già usati.

! Utilizzare quelli in dotazione alla macchina.

## Collegamento del tubo di scarico



Collegare il tubo di scarico, senza piegarlo, a una condotta di scarico o a uno scarico a muro posti tra 65 e 100 cm da terra;



oppure appoggiarlo al bordo di un lavandino o di una vasca, legando la guida in dotazione al rubinetto (vedi figura). L'estremità libera del tubo di scarico non deve rimanere immersa nell'acqua.

! È sconsigliato usare tubi di prolunga; se indispensabile, la prolunga deve avere lo stesso diametro del tubo originale e non superare i 150 cm.

## Collegamento elettrico

Prima di inserire la spina nella presa della corrente, accertarsi che:

- la presa abbia la messa a terra e sia a norma di legge;
- la presa sia in grado di sopportare il carico massimo di potenza della macchina, indicato nella tabella Dati tecnici (vedi a fianco);
- la tensione di alimentazione sia compresa nei valori indicati nella tabella Dati tecnici (vedi a fianco);
- la presa sia compatibile con la spina della lavabiancheria. In caso contrario sostituire la presa o la spina.

! La lavabiancheria non va installata all'aperto, nemmeno se lo spazio è riparato, perché è molto pericoloso lasciarla esposta a pioggia e temporali.

! A lavabiancheria installata, la presa della corrente deve essere facilmente raggiungibile.

! Non usare prolunghe e multiple.

! Il cavo non deve subire piegature o compressioni.

! Il cavo di alimentazione deve essere sostituito solo da tecnici autorizzati.

Attenzione! L'azienda declina ogni responsabilità qualora queste norme non vengano rispettate.

## Primo ciclo di lavaggio

Dopo l'installazione, prima dell'uso, effettuare un ciclo di lavaggio con detersivo e senza biancheria impostando il programma "Auto Pulizia" (vedi "Pulire la lavabiancheria").

Dati tecnici	
<b>Modello</b>	WMUG 501
<b>Dimensioni</b>	larghezza cm 59,5 altezza cm 85 profondità cm 34,8
<b>Capacità</b>	da 1 a 5 kg
<b>Collegamenti elettrici</b>	vedi la targhetta caratteristiche tecniche applicata sulla macchina
<b>Collegamenti idrici</b>	pressione massima 1 MPa (10 bar) pressione minima 0,05 MPa (0,5 bar) capacità del cesto 34 litri
<b>Velocità di centrifuga</b>	sino a 1000 giri al minuto
<b>Programmi di controllo secondo la direttiva 1061/2010 1015/2010</b>	programma 3; Cotone Standard 60°C; programma 4; Cotone Standard 40°C.
 	Questa apparecchiatura è conforme alle seguenti Direttive Comunitarie: - 2004/108/CE (Compatibilità Elettromagnetica) - 2012/19/EU - 2006/95/CE (Bassa Tensione)

# Manutenzione e cura

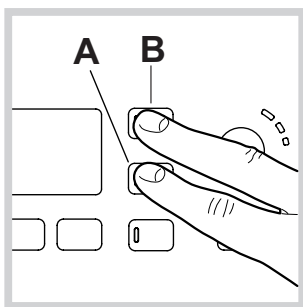
IT

## Escludere acqua e corrente elettrica

- Chiudere il rubinetto dell'acqua dopo ogni lavaggio. Si limita così l'usura dell'impianto idraulico della lavabiancheria e si elimina il pericolo di perdite.
- Staccare la spina della corrente quando si pulisce la lavabiancheria e durante i lavori di manutenzione.

## Pulire la lavabiancheria

- La parte esterna e le parti in gomma possono essere pulite con un panno imbevuto di acqua tiepida e sapone. Non usare solventi o abrasivi.
- La lavabiancheria è dotata di un programma di "Auto Pulizia" delle parti interne che deve essere effettuato **senza alcun tipo di carico nel cesto**.

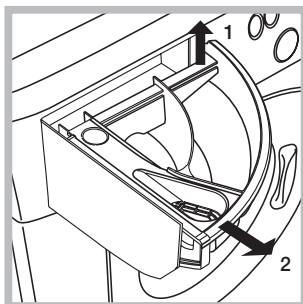


Il detersivo (nella quantità pari al 10% di quella consigliata per capi poco sporchi) o additivi specifici per la pulizia della lavabiancheria, potranno essere utilizzati come coadiuvanti nel programma di lavaggio. Si consiglia di effettuare il programma di pulizia

ogni 40 cicli di lavaggio.

Per attivare il programma premere contemporaneamente il tasto **A** e **B** per 5 sec. (vedi figura). Il programma partirà automaticamente ed avrà una durata di circa 70 minuti. Per fermare il ciclo premere il tasto START/PAUSE.

## Pulire il cassetto dei detersivi



Sfilare il cassetto sollevandolo e tirandolo verso l'esterno (vedi figura).

Lavarlo sotto l'acqua corrente; questa pulizia va effettuata frequentemente.

## Curare oblò e cestello

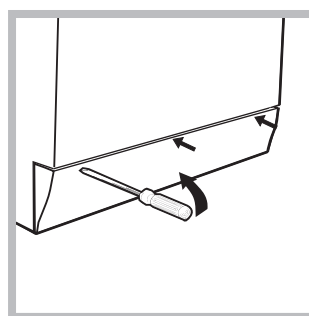
- Lasciare sempre socchiuso l'oblò per evitare che si formino cattivi odori.

## Pulire la pompa

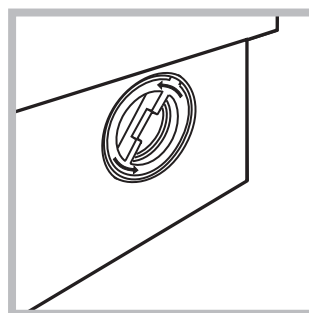
La macchina è dotata di una pompa autopulente che non ha bisogno di manutenzione. Può però succedere che piccoli oggetti (monete, bottoni) cadano nella precamera che protegge la pompa, situata nella parte inferiore di essa.

**!** Assicurarsi che il ciclo di lavaggio sia terminato e staccare la spina.

Per accedere alla precamera:



1. rimuovere il pannello di copertura sul lato anteriore della macchina con l'aiuto di un giravite (vedi figura);



2. svitare il coperchio ruotandolo in senso antiorario (vedi figura): è normale che fuoriesca un po' d'acqua;

3. pulire accuratamente l'interno;
4. riavvitare il coperchio;
5. rimontare il pannello assicurandosi, prima di spingerlo verso la macchina, di aver inserito i ganci nelle apposite asole.

## Controllare il tubo di alimentazione dell'acqua

Controllare il tubo di alimentazione almeno una volta all'anno. Se presenta screpolature e fessure va sostituito: durante i lavaggi le forti pressioni potrebbero provocare improvvise spaccature.

**!** Non utilizzare mai tubi già usati.



# Precauzioni e consigli

! La lavabiancheria è stata progettata e costruita in conformità alle norme internazionali di sicurezza. Queste avvertenze sono fornite per ragioni di sicurezza e devono essere lette attentamente.

## Sicurezza generale

- Questo apparecchio è stato concepito esclusivamente per un uso di tipo domestico.
- Questo apparecchio può essere usato da bambini da 8 anni in su e da persone con capacità fisiche, sensoriali o mentali ridotte o con esperienza e conoscenze insufficienti se sono supervisionati o se hanno ricevuto adeguata formazione in merito all'uso dell'apparecchio in modo sicuro e capendo i pericoli connessi. I bambini non devono giocare con l'apparecchio. Manutenzione e pulizia non devono essere effettuati dai bambini senza supervisione.
- Non toccare la macchina a piedi nudi o con le mani o i piedi bagnati o umidi.
- Non staccare la spina dalla presa della corrente tirando il cavo, bensì afferrando la spina.
- Non aprire il cassetto dei detersivi mentre la macchina è in funzione.
- Non toccare l'acqua di scarico, che può raggiungere temperature elevate.
- Non forzare in nessun caso l'oblò: potrebbe danneggiarsi il meccanismo di sicurezza che protegge da aperture accidentali.
- In caso di guasto, in nessun caso accedere ai meccanismi interni per tentare una riparazione.
- Controllare sempre che i bambini non si avvicinino alla macchina in funzione.
- Durante il lavaggio l'oblò tende a scaldarsi.
- Se dev'essere spostata, lavorare in due o tre persone con la massima attenzione. Mai da soli perché la macchina è molto pesante.
- Prima di introdurre la biancheria controlla che il cestello sia vuoto.

## Smaltimento

- Smaltimento del materiale di imballaggio: attenersi alle norme locali, così gli imballaggi potranno essere riutilizzati.
- La direttiva Europea 2012/19/EU sui rifiuti di apparecchiature elettriche ed elettroniche, prevede che gli elettrodomestici non debbano essere smaltiti nel normale flusso dei rifiuti solidi urbani. Gli apparecchi dismessi devono essere raccolti separatamente per ottimizzare il tasso di recupero e riciclaggio dei materiali che li compongono ed impedire potenziali danni per la salute e l'ambiente.

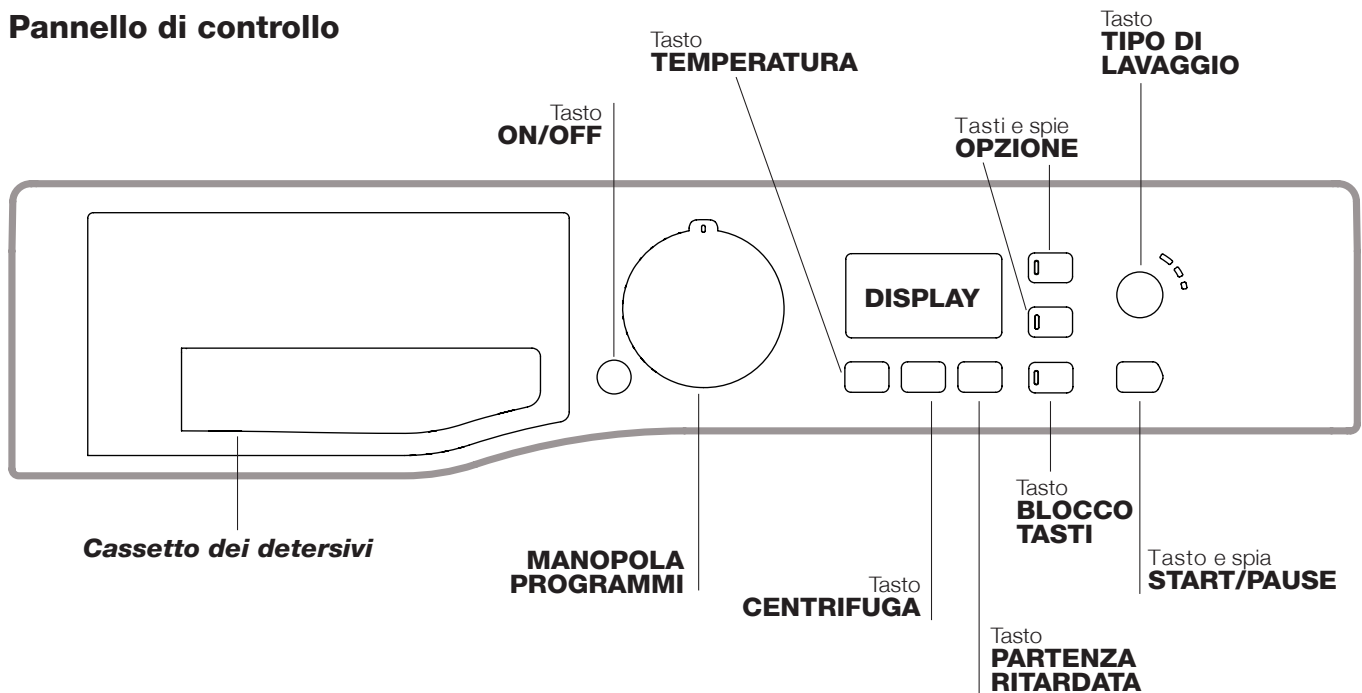
Il simbolo del cestino barrato è riportato su tutti i prodotti per ricordare gli obblighi di raccolta separata.

Per ulteriori informazioni, sulla corretta dismissione degli elettrodomestici, i detentori potranno rivolgersi al servizio pubblico preposto o ai rivenditori.


# Descrizione della lavabiancheria

IT

## Pannello di controllo



**Cassetto dei detersivi:** per caricare detersivi e additivi (vedi "Detersivi e biancheria").

Tasto **ON/OFF** : premere brevemente il tasto per accendere o spegnere la macchina. La spia START/PAUSE che lampeggia lentamente di colore verde indica che la macchina è accesa. Per spegnere la lavabiancheria durante il lavaggio è necessario tenere premuto il tasto più a lungo, circa 3 sec.; una pressione breve o accidentale non permetterà lo spegnimento della macchina durante un lavaggio in corso annulla il lavaggio stesso.

**MANOPOLA PROGRAMMI:** per impostare il programma desiderato (vedi "Tabella dei programmi").


Tasti e spie **OPZIONE:** per selezionare le opzioni disponibili. La spia relativa all'opzione selezionata rimarrà accesa.


Tasto **TIPO DI LAVAGGIO** : premere per selezionare l'intensità di lavaggio desiderata.

Tasto **TEMPERATURA** : premere per ridurre o escludere la temperatura; il valore viene indicato nel display.

Tasto **CENTRIFUGA** : premere per ridurre o escludere del tutto la centrifuga; il valore viene indicato nel display.

Tasto **PARTENZA RITARDATA** : premere per impostare una partenza ritardata del programma prescelto; il ritardo viene indicato nel display.

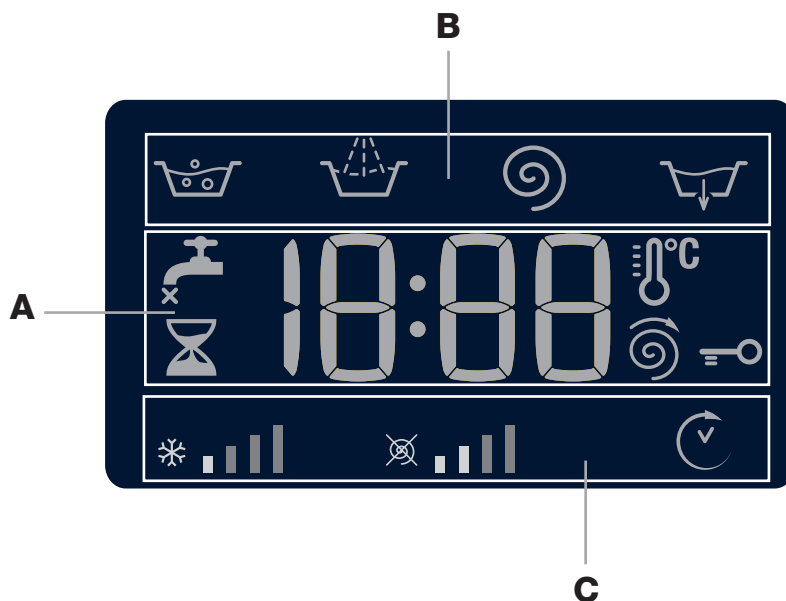
Tasto e spia **START/PAUSE:** quando la spia verde lampeggia lentamente, premere il tasto per avviare un lavaggio. A ciclo avviato la spia diventa fissa. Per mettere in pausa il lavaggio, premere nuovamente il tasto; la spia lampeggerà con colore ambra. Se il simbolo  non è illuminato, si potrà aprire l'oblò (attendere 3 minuti circa). Per far ripartire il lavaggio dal punto in cui è stato interrotto, premere nuovamente il tasto.

Tasto **BLOCCO TASTI** : per **attivare** il blocco del pannello di controllo, tenere premuto il tasto per circa 2 secondi. Il simbolo  acceso indica che il pannello di controllo è bloccato. In questo modo si impediscono modifiche accidentali dei programmi (ad eccezione del tasto ON/OFF), soprattutto se in casa ci sono dei bambini. Per **disattivare** il blocco del pannello di controllo, tenere premuto il tasto per circa 2 secondi.

### Modalità stand by

Questa lavatrice, in conformità alle nuove normative legate al risparmio energetico, è dotata di un sistema di autospegnimento (stand by) che entra in funzione dopo circa 30 minuti nel caso di non utilizzo. Premere brevemente il tasto ON-OFF e attendere che la macchina si riattivi.

## Display



Il display è utile per programmare la macchina e fornisce molteplici informazioni.

Nella sezione **A** viene visualizzata la durata dei vari programmi a disposizione e a ciclo avviato il tempo residuo alla fine dello stesso; nel caso fosse stata impostata una PARTENZA RITARDATA, viene visualizzato il tempo mancante all'avvio del programma selezionato.

Inoltre, premendo il relativo tasto, vengono visualizzati i valori massimi della velocità di centrifuga e di temperatura che la macchina può effettuare in base al programma impostato o gli ultimi valori selezionati se compatibili con il programma scelto.

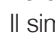
Nella sezione **B** vengono visualizzate le "fasi di lavaggio" previste per il ciclo selezionato e a programma avviato la "fase di lavaggio" in corso:

-  Lavaggio
-  Risciacquo
-  Centrifuga
-  Scarico

Nella sezione **C** sono presenti, partendo da sinistra, le icone relative alla "temperatura", alla "centrifuga" e alla "Partenza ritardata".


Le barre "temperatura"  indicano il livello di temperatura relativo al massimo selezionabile per il ciclo impostato.

Le barre "centrifuga"  indicano il livello di centrifuga relativo al massimo selezionabile per il ciclo impostato.

Il simbolo "delay"  illuminato indica che nel display viene visualizzato il valore della "Partenza ritardata" impostato.

### Spia **Oblò bloccato**





Il simbolo acceso indica che l'oblò è bloccato. Per evitare danni è necessario attendere che il simbolo si spenga prima di aprire l'oblò (attendere 3 minuti circa).

Per aprire la porta mentre un ciclo è in corso premere il tasto START/PAUSE; se il simbolo OBLO' BLOCCATO  è spento sarà possibile aprire l'oblò (attendere 3 minuti circa).

# Come effettuare un ciclo di lavaggio


IT

1. **ACCENDERE LA MACCHINA.** Premere il tasto ; la spia START/PAUSE lampeggerà lentamente di colore verde.
2. **CARICARE LA BIANCHERIA.** Aprire la porta oblò. Caricare la biancheria facendo attenzione a non superare la quantità di carico indicata nella tabella programmi della pagina seguente.
3. **DOSARE IL DETERSIVO.** Estrarre il cassetto e versare il detersivo nelle apposite vaschette come spiegato in *"Detersivi e biancheria"*.
4. **CHIUDERE L'OBLO'.**
5. **SCEGLIERE IL PROGRAMMA.** Selezionare con la manopola PROGRAMMI il programma desiderato; ad esso è associata una temperatura e una velocità di centrifuga che possono essere modificate. Sul display comparirà la durata del ciclo.
6. **PERSONALIZZARE IL CICLO DI LAVAGGIO.** Agire sugli appositi tasti:


  **Modificare la temperatura e/o la centrifuga.** La macchina visualizza automaticamente la temperatura e la centrifuga massime previste per il programma impostato o le ultime selezionate se compatibili con il programma scelto. Premendo il tasto  si riduce progressivamente la temperatura sino al lavaggio a freddo "OFF". Premendo il tasto  si riduce progressivamente la centrifuga sino alla sua esclusione "OFF". Un'ulteriore pressione dei tasti riporterà i valori al massimo consentito per il ciclo selezionato.

! Eccezione: selezionando il programma 3 la temperatura può essere portata sino a 90°.


 **Impostare una partenza ritardata.**

Per impostare la partenza ritardata del programma prescelto, premere il tasto relativo fino a raggiungere il tempo di ritardo desiderato. Quando tale opzione è attiva, sul display si illumina il simbolo . Per rimuovere la partenza ritardata premere il tasto fino a che sul display compare la scritta "OFF".


**Impostare l'intensità di lavaggio desiderata.**

L'opzione  permette di ottimizzare il lavaggio in base al grado di sporco dei tessuti e all'intensità di lavaggio desiderata.

Selezionare il programma di lavaggio, il ciclo viene impostato automaticamente sul livello "Normal", ottimizzato per capi mediamente sporchi, (impostazione non valida per il ciclo "Lana", che si imposta automaticamente sul livello "Delicate").

Per capi molto sporchi premere il tasto  fino al raggiungimento del livello "Intensive". Questo livello garantisce un lavaggio di alte prestazioni grazie all'utilizzo di una maggiore quantità di acqua nella fase iniziale del ciclo ed una maggiore movimentazione meccanica, ed è

utile per eliminare le macchie più resistenti. Può essere utilizzato **con** o **senza** candeggina.

Se si desidera effettuare il candeggio inserire la vaschetta aggiuntiva **4**, in dotazione, nella vaschetta **1**. Nel dosare la candeggina non superare il livello "max" indicato sul perno centrale (*vedi figura a pag. 22*). Per capi poco sporchi o per un trattamento più delicato dei tessuti, premere il tasto  fino al raggiungimento del livello "Delicate". Il ciclo ridurrà la movimentazione meccanica per garantire risultati di lavaggio perfetti per i capi delicati.

**Modificare le caratteristiche del ciclo.**


- Premere il tasto per attivare l'opzione; la spia corrispondente al pulsante si accenderà.
- Premere nuovamente il tasto per disattivare l'opzione; la spia si spegnerà.

! Se l'opzione selezionata non è compatibile con il programma impostato, la spia lampeggerà e l'opzione non verrà attivata.

! Se l'opzione selezionata non è compatibile con un'altra precedentemente impostata, la spia relativa alla prima funzione selezionata lampeggerà e verrà attivata solo la seconda, la spia dell'opzione attivata si illuminerà.





! Le opzioni possono variare il carico raccomandato e/o la durata del ciclo.

7. **AVVIARE IL PROGRAMMA.** Premere il tasto START/PAUSE. La spia relativa si illuminerà di colore verde fisso e l'oblò si bloccherà (simbolo OBLO' BLOCCATO  acceso). Per cambiare un programma mentre un ciclo è in corso, **mettere la lavabiancheria in pausa** premendo il tasto START/PAUSE (la spia START/PAUSE lampeggerà lentamente di colore ambra); selezionare quindi il ciclo desiderato e premere nuovamente il tasto START/PAUSE. Per aprire la porta mentre un ciclo è in corso premere il tasto START/PAUSE; se il simbolo OBLO' BLOCCATO  è spento sarà possibile aprire l'oblò (attendere 3 minuti circa). Premere nuovamente il tasto START/PAUSE per far ripartire il programma dal punto in cui era stato interrotto.
8. **FINE DEL PROGRAMMA.** Viene indicata dalla scritta "END" sul display, quando il simbolo OBLO' BLOCCATO  si spegnerà sarà possibile aprire l'oblò (attendere 3 minuti circa). Aprire l'oblò, scaricare la biancheria e spegnere la macchina.

! Se si desidera annullare un ciclo già avviato, premere a lungo il tasto . Il ciclo verrà interrotto e la macchina si spegnerà.

# Programmi e opzioni

## Tabella dei programmi

Programmi	Descrizione del Programma	Temp. max. (°C)	Velocità max. (giri al minuto)	Detersivi				Carico max. (Kg)	Umidità residua %	Consumo energia kWh	Acqua totale lt	Durata ciclo
				Prelavaggio	Lavaggio	Candeg-gina	Ammorbi-dente					
1	<b>Antimacchia</b>	40°	1000	●	●	-	●	3	-	-	-	180'
2	<b>Bianchi</b>	60°	1000	●	●	-	●	3	-	-	-	190'
3	 <b>Cotone Standard 60° (1):</b> Bianchi e colorati resistenti molto sporchi.	60° (Max. 90°)	1000	●(3)	●	●	●	5	62	0.83	47.5	200'
4	 <b>Cotone Standard 40° (2):</b> Bianchi e colorati delicati poco sporchi.	40°	1000	-	●	●	●	5	62	0.75	48	150'
5	<b>Sintetici:</b> Colori resistenti molto sporchi.	60°	800	●	●	●	●	3	46	0.88	38	110'
5	<b>Sintetici (4):</b> Colori resistenti poco sporchi.	40°	800	●	●	●	●	3	46	0.55	37	95'
6	<b>Anti Allergy</b>	60°	1000	-	●	●	●	3	-	-	-	185'
7	<b>Baby</b>	40°	1000	●	●	●	●	3	-	-	-	160'
8	<b>Lana:</b> Per lana, cachemire, ecc.	40°	800	-	●	-	●	1	-	-	-	70'
9	<b>Delicati</b>	30°	0	-	●	-	●	0.5	-	-	-	75'
10	<b>Rapido 60':</b> Per rinfrescare rapidamente capi sporchi (non indicato per lana, seta e capi da lavare a mano).	60°	1000	-	●	-	●	3.5	62	0.71	35	60'
11	<b>Cotone Standard 20°:</b> Bianchi e colorati delicati poco sporchi.	20°	1000	-	●	●	●	5	-	-	-	230'
12	<b>Cotone</b>	Acqua fredda	1000	-	●	-	●	5	62	0.17	53	95'
13	<b>Sintetici</b>	Acqua fredda	800	-	●	-	●	2.5	49	0.11	37	75'
14	<b>Rapido 30'</b>	Acqua fredda	800	-	●	-	●	2.5	71	0.06	30	30'
	<b>Risciacquo</b>	-	1000	-	-	-	●	5	-	-	-	49'
	<b>Centrifuga + Scarico</b>	-	1000	-	-	-	-	5	-	-	-	16'

La durata del ciclo indicata sul display o sul libretto è una stima calcolata in base a condizioni standard. Il tempo effettivo può variare in base a numerosi fattori quali la temperatura e la pressione dell'acqua in ingresso, la temperatura ambiente, la quantità di detersivo, la quantità ed il tipo di carico, il bilanciamento del carico, le opzioni aggiuntive selezionate.

1) Programma di controllo secondo la direttiva 1061/2010: impostare il programma 3 con una temperatura di 60°C.

Questo ciclo è adatto per pulire un carico di cotone normalmente sporco ed è il più efficiente in termini di consumo combinato di energia e di acqua, da usare su capi lavabili a 60°C. La temperatura effettiva di lavaggio può differire da quella indicata.

2) Programma di controllo secondo la direttiva 1061/2010: impostare il programma 4 con una temperatura di 40°C.

Questo ciclo è adatto per pulire un carico di cotone normalmente sporco ed è il più efficiente in termini di consumo combinato di energia e di acqua, da usare su capi lavabili a 40°C. La temperatura effettiva di lavaggio può differire da quella indicata.

3) Alla temperatura di 60° la funzione "Prelavaggio" non può essere attivata.

Per tutti Test Institutes:

2) Programma cotone lungo: impostare il programma 4 con una temperatura di 40°C.

4) Programma sintetico lungo: impostare il programma 5 con una temperatura di 40°C.

## Opzioni di lavaggio

### Extra Risciacquo

Selezionando questa opzione si aumenta l'efficacia del risciacquo, e si assicura la massima rimozione del detersivo.



È utile per pelli particolarmente sensibili.

! Non è attivabile sui programmi 6, 9, 14, .

### Prelavaggio

Selezionando questa funzione si effettua il prelavaggio, utile per rimuovere macchie ostinate.

**N.B.:** Aggiungere il detersivo nell'apposito scomparto.

! Non è attivabile sui programmi 3 (60°), 4, 6, 8, 9, 10, 11, 12, 13, 14, , .

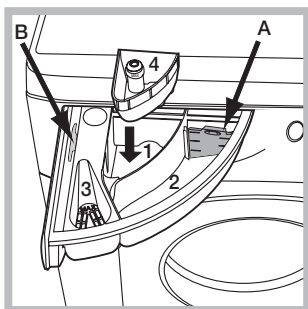
# Detersivi e biancheria

IT

## Cassetto dei detersivi

Il buon risultato del lavaggio dipende anche dal corretto dosaggio del detersivo: eccedendo non si lava in modo più efficace e si contribuisce a incrostare le parti interne della lavabiancheria e a inquinare l'ambiente.

- ! Usare detersivi in polvere per capi in cotone bianchi e per il prelavaggio e per lavaggi con temperatura superiore a 60°C.
- ! Seguire le indicazioni riportate sulla confezione di detersivo.
- ! Non usare detersivi per il lavaggio a mano, perché formano troppa schiuma.



Estrarre il cassetto dei detersivi e inserire il detersivo o l'additivo come segue.

### Vaschetta 1: Detersivo per prelavaggio (in polvere)

Prima di versare il detersivo verificare che non sia inserita la vaschetta aggiuntiva 4.

### Vaschetta 2: Detersivo per lavaggio (in polvere o liquido)

Nel caso di utilizzo di detersivo liquido si consiglia di utilizzare la paratina **A** in dotazione per un corretto dosaggio. Per l'utilizzo del detersivo in polvere riporre la paratina nella cavità **B**.

### Vaschetta 3: Additivi (ammorbidente, ecc.)

L'ammorbidente non deve fuoriuscire dalla griglia.

### Vaschetta aggiuntiva 4: Candeggina

## Preparare la biancheria

- Suddividere la biancheria secondo:
  - il tipo di tessuto / il simbolo sull'etichetta.
  - i colori: separare i capi colorati da quelli bianchi.
- Vuotare le tasche e controllare i bottoni.
- Non superare i valori indicati, riferiti al peso della biancheria asciutta: vedi "Tabella dei programmi".

### Quanto pesa la biancheria?

- 1 lenzuolo 400-500 gr.
- 1 federa 150-200 gr.
- 1 tovaglia 400-500 gr.
- 1 accappatoio 900-1200 gr.
- 1 asciugamano 150-250 gr.

## Programmi particolari

**Antimacchia:** il programma **1** è adatto al lavaggio di capi molto sporchi, con colori resistenti. Il programma garantisce una classe di lavaggio superiore alla classe standard (classe A). Non eseguire il programma mescolando capi di colore diverso. Si consiglia l'utilizzo di detersivo in polvere. Per macchie ostinate è consigliato il pretrattamento con additivi specifici.

**Bianchi:** utilizzare il ciclo **2** per il lavaggio dei capi bianchi. Il programma è studiato per il mantenimento della brillantezza del bianco nel tempo. Per risultati migliori si raccomanda l'utilizzo del detersivo in polvere.

**Anti Allergy:** utilizzare il programma **6** per la rimozione dei principali allergeni come polline, acari, peli del gatto e cane.

**Baby:** utilizzare il programma **7** per asportare lo sporco tipico dei bambini e rimuovere il detersivo dai panni onde evitare reazioni allergiche alla pelle delicata dei bambini. Questo ciclo è stato studiato per ridurre la carica batterica utilizzando una maggior quantità di acqua e ottimizzando l'effetto di additivi specifici igienizzanti aggiunti al detersivo.

**Lana:** Il ciclo di lavaggio "Lana" di questa lavatrice Hotpoint-Ariston è stato testato e approvato dalla Woolmark Company per il lavaggio di capi in lana classificati come "lavabili a mano", purché il lavaggio venga eseguito nel rispetto delle istruzioni riportate sull'etichetta dell'indumento e delle indicazioni fornite dal produttore dell'elettrodomestico. Hotpoint-Ariston è la prima marca di lavatrici ad aver ottenuto dalla Woolmark Company la certificazione Woolmark Apparel Care - Platinum per le sue prestazioni di lavaggio e il consumo di acqua ed energia.



**Delicati:** utilizzare il programma **9** per il lavaggio dei capi molto delicati, che presentano applicazioni quali strass o paillettes.

Per il lavaggio dei capi in **seta e tende**, selezionare il ciclo **9** ed impostare il livello "Delicate" dell'opzione . Si raccomanda di rovesciare i capi prima del lavaggio e di inserire gli indumenti piccoli nell'apposito sacchetto per il lavaggio dei capi delicati. Per risultati migliori si raccomanda l'utilizzo del detersivo liquido per capi delicati.

## Programmi Eco

I programmi Eco offrono buone performance di lavaggio a basse temperature consentendo un minore utilizzo di energia elettrica con un beneficio per l'ambiente e un risparmio economico. I programmi Eco (**12** Cotone, **13** Sintetici e **14** Rapido 30') sono stati creati per diversi tipi di tessuto e per capi poco sporchi. Per garantire un risultato ottimale raccomandiamo l'uso di un detergente liquido; si consiglia di pretrattare polsini, colli e macchie.

**Cotone Standard 20°** ideale per carichi in cotone sporchi. Le buone performance anche a freddo, comparabili con un lavaggio a 40°, sono garantite da un'azione meccanica che lavora con variazione di velocità a picchi ripetuti e ravvicinati

## Sistema bilanciamento del carico

Prima di ogni centrifuga, per evitare vibrazioni eccessive e per distribuire il carico in modo uniforme, il cestello effettua delle rotazioni ad una velocità leggermente superiore a quella del lavaggio. Se al termine di ripetuti tentativi il carico non fosse ancora correttamente bilanciato la macchina effettua la centrifuga ad una velocità inferiore a quella prevista. In presenza di eccessivo sbilanciamento la lavabiancheria effettua la distribuzione anziché la centrifuga. Per favorire una migliore distribuzione del carico e il suo corretto bilanciamento si consiglia di mescolare capi grandi e piccoli.

# Anomalie e rimedi

Può accadere che la lavabiancheria non funzioni. Prima di telefonare all'Assistenza (vedi "Assistenza"), controllare che non si tratti di un problema facilmente risolvibile aiutandosi con il seguente elenco.

## Anomalie:

**La lavabiancheria non si accende.**

**Il ciclo di lavaggio non inizia.**

**La lavabiancheria non carica acqua (Sul display viene visualizzata la scritta "H2O" lampeggiante).**

**La lavabiancheria carica e scarica acqua di continuo.**

**La lavabiancheria non scarica o non centrifuga.**

**La lavabiancheria vibra molto durante la centrifuga.**

**La lavabiancheria perde acqua.**

**Le spie delle "Opzioni" e dell'START/PAUSE lampeggiano velocemente e il display visualizza un codice di anomalia (es.: F-01, F-..).**

**Si forma troppa schiuma.**

## Possibili cause / Soluzione:

- La spina non è inserita nella presa della corrente, o non abbastanza da fare contatto.
- In casa non c'è corrente.

- L'oblò non è ben chiuso.
- Il tasto ON/OFF non è stato premuto.
- Il tasto START/PAUSE non è stato premuto.
- Il rubinetto dell'acqua non è aperto.
- Si è impostato un ritardo sull'ora di avvio (PARTENZA RITARDATA, vedi "Come effettuare un ciclo di lavaggio").

- Il tubo di alimentazione dell'acqua non è collegato al rubinetto.
- Il tubo è piegato.
- Il rubinetto dell'acqua non è aperto.
- In casa manca l'acqua.
- Non c'è sufficiente pressione.
- Il tasto START/PAUSE non è stato premuto.

- Il tubo di scarico non è installato fra 65 e 100 cm da terra (vedi "Installazione").
- L'estremità del tubo di scarico è immersa nell'acqua (vedi "Installazione").
- Lo scarico a muro non ha lo sfiato d'aria.

Se dopo queste verifiche il problema non si risolve, chiudere il rubinetto dell'acqua, spegnere la lavabiancheria e chiamare l'Assistenza. Se l'abitazione si trova agli ultimi piani di un edificio, è possibile che si verifichino fenomeni di sifonaggio, per cui la lavabiancheria carica e scarica acqua di continuo. Per eliminare l'inconveniente sono disponibili in commercio apposite valvole anti-sifonaggio.

- Il programma non prevede lo scarico: con alcuni programmi occorre avviarlo manualmente.
- Il tubo di scarico è piegato (vedi "Installazione").
- La condotta di scarico è ostruita.

- Il cestello, al momento dell'installazione, non è stato sbloccato correttamente (vedi "Installazione").
- La lavabiancheria non è in piano (vedi "Installazione").
- La lavabiancheria è stretta tra mobili e muro (vedi "Installazione").

- Il tubo di alimentazione dell'acqua non è ben avvitato (vedi "Installazione").
- Il cassetto dei detersivi è intasato (per pulirlo vedi "Manutenzione e cura").
- Il tubo di scarico non è fissato bene (vedi "Installazione").

- Spegnere la macchina e togliere la spina dalla presa, attendere circa 1 minuto quindi riaccenderla.  
Se l'anomalia persiste, chiamare l'Assistenza.

- Il detersivo non è specifico per lavabiancheria (deve esserci la dicitura "per lavatrice", "a mano e in lavatrice", o simili).
- Il dosaggio è stato eccessivo.

# Assistenza

IT

## Prima di contattare l'Assistenza:

- Verificare se l'anomalia può essere risolta da soli (vedi "Anomalie e rimedi");
- Riavviare il programma per controllare se l'inconveniente è stato avviato;
- In caso negativo, contattare il Numero Unico 199.199.199\*.

! Non ricorrere mai a tecnici non autorizzati.

## Comunicare:

- il tipo di anomalia;
- il modello della macchina (Mod.);
- il numero di serie (S/N).

Queste informazioni si trovano sulla targhetta applicata nella parte posteriore della lavabiancheria e nella parte anteriore aprendo l'oblò.

## Assistenza Attiva 7 giorni su 7



In caso di necessità d'intervento chiamare il Numero Unico Nazionale 199.199.199\*.

Un operatore sarà a completa disposizione per fissare un appuntamento con il Centro Assistenza Tecnico Autorizzato più vicino al luogo da cui si chiama.

È attivo 7 giorni su 7, sabato e domenica compresi, e non lascia mai inascoltata una richiesta.

\* Al costo di 14,25 centesimi di Euro al minuto (iva inclusa) dal Lun. al Ven. dalle 08:00 alle 18:30, il Sab. dalle 08:00 alle 13:00 e di 5,58 centesimi di Euro al minuto (iva inclusa) dal Lun. al Ven. dalle 18:30 alle 08:00, il Sab. dalle 13:00 alle 08:00 e i giorni festivi, per chi chiama da telefono fisso. Per chi chiama da radiomobile le tariffe sono legate al piano tariffario dell'operatore telefonico utilizzato. Le suddette tariffe potrebbero essere soggette a variazione da parte dell'operatore telefonico; per maggiori informazioni consultare il sito <http://www.hotpoint.eu/hotpoint/>

## FICHE TECNICA - REGOLAMENTO DELEGATO (UE) N. 1061/2010 DELLA COMMISSIONE

Marchio	HOTPOINT/ARISTON
Modello	WMUG 501 EU
Capacità in kg di cotone	5.0
Classe di efficienza energetica su una scala da A+++ (basso consumo) a G (alto consumo)	A+
Consumo annuo di energia in kWh <sup>1)</sup>	163.0
Consumo di energia del programma cotone standard a 60°C a pieno carico in kWh <sup>2)</sup>	0.834
Consumo di energia del programma cotone standard a 60° carico parziale in kWh <sup>2)</sup>	0.625
Consumo di energia del programma cotone standard a 40° a carico parziale in kWh <sup>2)</sup>	0.578
Consumo di potenza in modo spento in W	0.5
Consumo di potenza in modo lasciato acceso in W	8.0
Consumo di acqua in litri/anno <sup>3)</sup>	9733
Classe di efficacia di centrifuga su una scala da G (efficacia minima) ad A (efficacia massima)	C
Velocità massima di centrifuga raggiunta <sup>4)</sup>	1000
Umidità residua <sup>5)</sup>	62%
Durata del programma cotone standard a 60°C a pieno carico in minuti	200
Durata del programma cotone standard a 60°C a carico parziale in minuti	150
Durata del programma cotone standard a 40°C a carico parziale in minuti	145
Durata del modo lasciato acceso in minuti	30
Rumore in dB(A) re 1 pW in lavaggio <sup>6)</sup>	0
Rumore in dB(A) re 1 pW in centrifuga <sup>6)</sup>	0

<sup>1)</sup> Basato su 220 cicli di lavaggio cotone standard a 60°C e a 40°C a carico pieno e parziale e sul consumo nei modi di spento e lasciato acceso. Il consumo effettivo dipende dalla modalità di utilizzo della lavabiancheria.

<sup>2)</sup> Il "cotone standard a 60°C" a carico pieno e parziale ed il "cotone standard a 40°C" a carico parziale sono i programmi di lavaggio standard ai quali fanno riferimento le informazioni sull'etichetta e sulla scheda, questi programmi sono adatti per lavare cotone normalmente sporco e sono i programmi più efficienti in termini di consumo combinato di energia e acqua. Il carico parziale è la metà del carico nominale.

<sup>3)</sup> Basato su 220 cicli di lavaggio cotone standard a 60°C e a 40°C a carico pieno e parziale. Il consumo effettivo dipende dalla modalità di utilizzo dell'apparecchio.

<sup>4)</sup> Valore minimo fra il programma cotone standard 60°C a pieno e metà carico e il cotone standard 40°C a metà carico.

<sup>5)</sup> Valore massimo fra il programma cotone standard 60°C a pieno e metà carico e il cotone standard 40°C a metà carico.

<sup>6)</sup> Misurato sul programma cotone standard a 60°C pieno carico.



PL

Polski

WMUG 501

## Spis treści

### Instalacja, 26-27

Rozpakowanie i wypoziomowanie  
Podłączenia hydrauliczne i elektryczne  
Pierwszy cykl prania  
Dane techniczne

### Utrzymanie i konserwacja, 28

Odłączenie wody i prądu elektrycznego  
Czyszczenie pralki  
Czyszczenie szufladki na środki piorące  
Konserwacja okrągłych drzwiczek i bębna  
Czyszczenie pompy  
Kontrola przewodu doprowadzającego wodę

### Zalecenia i środki ostrożności, 29

Ogólne zasady bezpieczeństwa  
Utylizacja

### Opis pralki, 30-31

Panel sterowania  
Wyświetlacz

### Jak wykonać cykl prania, 32

### Programy i opcje, 33

Tabela programów  
Opcje prania

### Środki piorące i bielizna, 34

Szufladka na środki piorące  
Przygotowanie bielizny  
Programy specjalne

### Nieprawidłowości w działaniu i sposoby ich usuwania, 35

### Serwis Techniczny, 36

 **Hotpoint**  
ARISTON

# Instalacja

PL

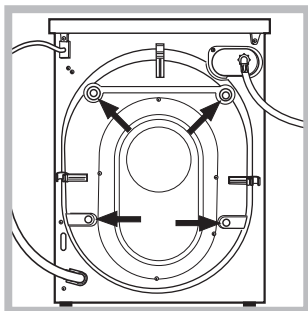
! Należy zachować niniejszą książeczkę, aby móc z niej skorzystać w każdej chwili. W przypadku sprzedaży, odstąpienia lub przeniesienia pralki w inne miejsce należy zadbać o przekazanie instrukcji wraz z nią, aby nowy właściciel mógł się zapoznać z działaniem urządzenia i z dotyczącymi go ostrzeżeniami.

! Należy uważnie przeczytać instrukcję obsługi: zawiera ona ważne informacje dotyczące instalacji oraz właściwego i bezpiecznego użytkowania pralki.

## Rozpakowanie i wypoziomowanie

### Rozpakowanie

1. Rozpakować pralkę.
2. Sprawdzić, czy nie doznała ona uszkodzeń w czasie transportu. W przypadku stwierdzenia uszkodzeń, nie podłączać pralki i skontaktować się ze sprzedawcą.



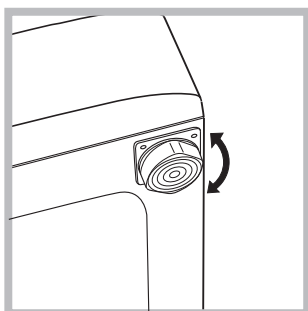
3. Odkręcić 4 śruby zabezpieczające urządzenie na czas transportu oraz zdjąć gumowy element z podkładką, znajdujący się w tylnej części pralki (patrz rysunek).

4. Zatkać otwory przy pomocy plastikowych zaślepek, znajdujących się w wyposażeniu urządzenia.

5. Zachować wszystkie części: w razie konieczności przewiezienia pralki w inne miejsce, powinny one zostać ponownie zamontowane.

! Części opakowania nie są zabawkami dla dzieci.

### Poziomowanie



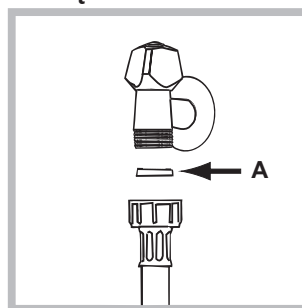
1. Ustawić pralkę na płaskiej i twardej podłodze, nie opierając jej o ściany, meble itp.
2. Jeśli podłoga nie jest idealnie pozioma, należy skompensować nierówności, odkręcając lub

dokręcając przednie nóżki (patrz rysunek);

kąt nachylenia, zmierzony na górnym blacie pralki, nie powinien przekraczać 2°. Staranne wypoziomowanie pralki zapewnia jej stabilność i zapobiega wibracjom, hałasowi oraz przesuwaniu się urządzenia w czasie pracy. W przypadku ustawienia na dywanie lub wykładzinie dywanowej, należy tak wyregulować nóżki, aby pod pralką pozostawała wolna przestrzeń niezbędna dla wentylacji.

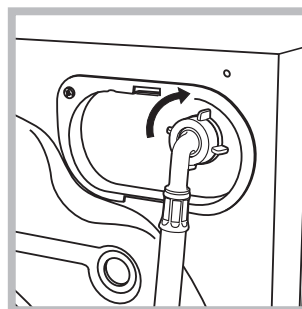
## Podłączenia hydrauliczne i elektryczne

### Podłączenie przewodu doprowadzającego wodę



1. Wsunąć uszczelkę A do końcówki rury pobierania wody i przykręcić ją do kurka zimnej wody o gwintowanym otworze 3/4" (zobacz rysunek). Przed podłączeniem spuszczać wodę

do momentu, aż stanie się ona całkowicie przezroczysta.



2. Podłączyć do urządzenia przewód doprowadzający wodę, przykręcając go do odpowiedniego przyłącza wody, znajdującego się w tylnej części pralki, z prawej strony u góry (patrz rysunek).

3. Zwrócić uwagę, aby przewód nie był pozaginany ani przygnieciony.

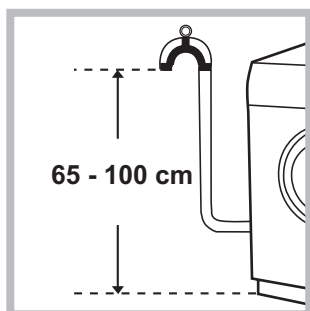
! Ciśnienie wody w kurku powinno mieścić się w przedziale podanym w tabeli Danych technicznych (patrz strona obok).

! Jeśli długość przewodu doprowadzającego wodę jest niewystarczająca, należy zwrócić się do specjalistycznego sklepu lub do autoryzowanego technika.

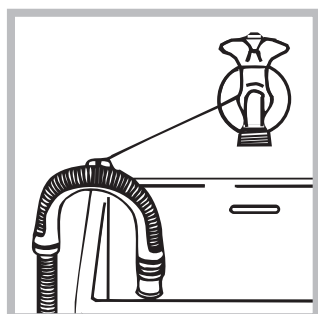
! Nigdy nie instalować przewodów, które były już używane.

! Stosować przewody znajdujące się w wyposażeniu urządzenia.

## Podłączenie przewodu odpływowego



Podłączyć przewód odpływowy, nie zginając go, do rury ściekowej lub do otworu odpływowego w ścianie, które powinny się znajdować na wysokości od 65 do 100 cm od podłogi; albo oprzeć go na brzeg zlewu lub wanny, przymocowując do kranu prowadnik, znajdujący się w wyposażeniu pralki (patrz rysunek). Wolny koniec przewodu odpływowego nie



powinien być zanurzony w wodzie.

! Odradza się używanie rur przedłużających; jednak jeśli jest to konieczne, przedłużacz powinien mieć taki sam przekrój, jak oryginalna rura, a jego długość nie powinna przekraczać 150 cm.

## Podłączenie elektryczne

Przed włożeniem wtyczki do gniazdka elektrycznego należy się upewnić, czy:

- gniazdko posiada uziemienie i jest zgodne z obowiązującymi przepisami;
- gniazdko jest w stanie wytrzymać maksymalne obciążenie mocy urządzenia, wskazane w tabeli Danych technicznych (patrz obok);
- napięcie zasilania mieści się w wartościach wskazanych w tabeli Danych technicznych (patrz obok);
- gniazdko pasuje do wtyczki pralki. W przeciwnym razie należy wymienić gniazdko lub wtyczkę.

! Nie należy instalować pralki na otwartym powietrzu, nawet w osłoniętym miejscu, gdyż wystawienie urządzenia na działanie deszczu i burz jest bardzo niebezpieczne.

! Po zainstalowaniu pralki gniazdko elektryczne powinno być łatwo dostępne.

! Nie używać przedłużaczy ani rozgałęźników.

! Kabel nie powinien być pozginany ani przygnieciony.

! Przewód zasilania elektrycznego może być wymieniany wyłącznie przez autoryzowanych techników.

Uwaga! Producent nie ponosi żadnej odpowiedzialności, jeśli powyższe zasady nie będą przestrzegane.

## Pierwszy cykl prania

Po zainstalowaniu pralki, przed przystąpieniem do jej użytkowania, należy wykonać jeden cykl prania ze środkiem piorącym, ale bez wsadu, nastawiając program "OPCJA CZYSZCZENIA PRALKI" (patrz "Czyszczenie pralki").

## Dane techniczne

<b>Model</b>	WMUG 501
<b>Wymiary</b>	szerokość cm 59,5 wysokość cm 85 głębokość cm 34,8
<b>Pojemność</b>	od 1 do 5 kg
<b>Dane prądu elektrycznego</b>	dane techniczne umieszczone są na tabliczce na maszynie
<b>Dane sieci wodociągowej</b>	Maksymalne ciśnienie 1 MPa (10 barów) ciśnienie minimalne 0,05 MPa (0,5 barów) pojemność bębna 34 litrów
<b>Szybkość wirowania</b>	do 1000 obrotów na minutę
<b>Programy testowe zgodnie z dyrektywami 1061/2010 i 1015/2010</b>	Program 3; Bawełna standard 60° C; Program 4; Bawełna standard 40° C.
 	Urządzenie to zostało wyprodukowane zgodnie z następującymi przepisami CE: - 2004/108/CE (o Kompatybilności Elektromagnetycznej) - 2012/19/EU - 2006/95/CE (o Niskim Napięciu)

# Utrzymanie i konserwacja

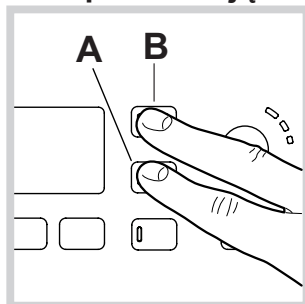
PL

## Odlączenie wody i prądu elektrycznego

- Zamknąć kurek dopływu wody po każdym praniu. W ten sposób zmniejsza się zużycie instalacji hydraulicznej pralki oraz eliminuje się niebezpieczeństwo wycieków.
- Przed przystąpieniem do czyszczenia pralki oraz do czynności konserwacyjnych wyjąć wtyczkę z gniazdka.

## Czyszczenie pralki

- Obudowę zewnętrzną i gumowe części pralki można myć ściereczką zmoconą w letniej wodzie z mydłem. Nie stosować rozpuszczalników ani ściernych środków czyszczących.
- Pralka jest wyposażona w program "OPCJA CZYSZCZENIA PRALKI" części wewnętrznych, który należy przeprowadzać **nie wprowadzając niczego do kosza pralki.**

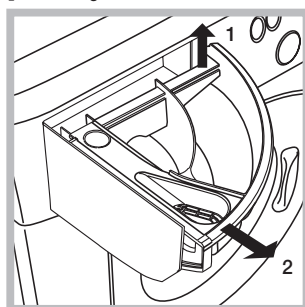


Środek piorący (w ilości równej 10% ilości zalecanej dla lekko zabrudzonej odzieży) lub dodatki przeznaczone specjalnie do czyszczenia pralek, mogą zostać użyte jako środki

pomocnicze podczas programu czyszczenia. Zaleca się przeprowadzanie programu czyszczenia co 40 cykli prania. W celu uruchomienia programu należy nacisnąć równocześnie przyciski **A** i **B** przez 5 sek. (zob. rysunek).

Program rozpocznie się automatycznie i będzie trwał około 70 minut. W celu zakończenia cyklu, należy nacisnąć przycisk START/PAUSE.

## Czyszczenie szufladki na środki piorące



Wysunąć szufladkę, unosząc ją lekko ku górze i wyciągając na zewnątrz (patrz rysunek). Wyplukać szufladkę pod bieżącą wodą. Czynność tę należy wykonywać stosunkowo często.

## Konserwacja okrągłych drzwiczek i bębna

- Drzwiczki pralki należy zawsze

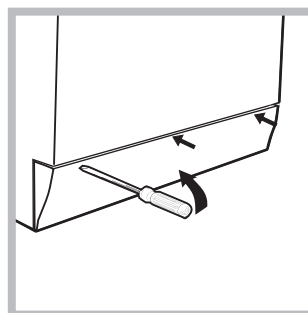
pozostawiać uchylone, aby zapobiec tworzeniu się nieprzyjemnych zapachów.

## Czyszczenie pompy

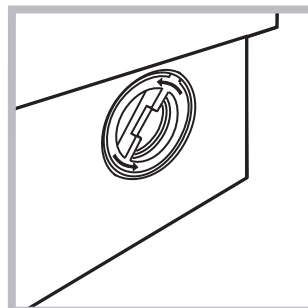
Pralka wyposażona jest w pompę samoczyszczącą, która nie wymaga zabiegów konserwacyjnych. Może się jednak zdarzyć, że drobne przedmioty (monety, guziki) wpadną do komory wstępnej zabezpieczającej pompę, która znajduje się w jej dolnej części.

**! Należy się upewnić, że cykl prania został zakończony i wyjąć wtyczkę z gniazdka.**

Aby dostać się do komory wstępnej:



1. zdjąć panel pokrywy z przedniej strony pralki przy pomocy śrubokrętu (patrz rysunek);



2. odkręcić pokrywę, obracając ją w kierunku przeciwnym do ruchu wskazówek zegara (patrz rysunek): wypłynięcie niewielkiej ilości wody jest normalnym zjawiskiem;

3. dokładnie wyczyścić wnętrze;
4. ponownie przykręcić pokrywę;
5. ponownie założyć panel upewniwszy się, przed dociśnięciem go do maszyny, czy zatrzaski zostały umieszczone w odpowiednich otworach.

## Kontrola przewodu doprowadzającego wodę

Przynajmniej raz w roku należy sprawdzić przewód doprowadzający wodę. Jeśli widoczne są na nim pęknięcia i rysy, należy go wymienić: w trakcie prania duże ciśnienie może bowiem spowodować jego nagłe rozerwanie.

**! Nigdy nie instalować już używanych przewodów.**

# Zalecenia i środki ostrożności

! Pralka została zaprojektowana i wyprodukowana zgodnie z międzynarodowymi normami bezpieczeństwa. Niniejsze ostrzeżenia zostały tu zamieszczone ze względów bezpieczeństwa i należy je uważnie przeczytać.

## Ogólne zasady bezpieczeństwa

- Urządzenie to zostało zaprojektowane wyłącznie do użytkowania w warunkach domowych.
- Z niniejszego urządzenia mogą korzystać dzieci powyżej 8 roku życia i osoby o ograniczonych zdolnościach fizycznych, zmysłowych bądź umysłowych, jak również osoby nieposiadające doświadczenia lub znajomości urządzenia, jeśli znajdują się one pod nadzorem innych osób lub jeśli zostały pouczone na temat bezpiecznego sposobu użycia urządzenia oraz zdają sobie sprawę ze związanych z nim zagrożeń. Dzieci nie powinny bawić się urządzeniem. Prace związane z czyszczeniem i konserwacją nie mogą być wykonywane przez dzieci, jeśli nie są one nadzorowane.
- Nie dotykać pralki stojąc przy niej boso lub mając mokre lub wilgotne ręce albo stopy.
- Nie wyjmować wtyczki z gniazdka ciągnąc za kabel, należy trzymać za wtyczkę.
- W trakcie pracy maszyny nie otwierać szufladki na środki piorące.
- Nie dotykać odprowadzanej wody, gdyż może ona być bardzo gorąca.
- W żadnym wypadku nie otwierać na siłę drzwiczek pralki: grozi to uszkodzeniem mechanizmu zabezpieczającego drzwiczki przed przypadkowym otwarciem.
- W razie wystąpienia usterki nie należy w żadnym wypadku ingerować w wewnętrzne części pralki z zamiarem samodzielnego dokonania naprawy.
- Zawsze uważać, aby dzieci nie zbliżyły się do pracującej pralki.
- W czasie prania drzwiczki pralki nagrzewają się.
- Jeśli trzeba przenieść pralkę w inne miejsce, należy to robić bardzo ostrożnie, w dwie lub trzy osoby. Nigdy nie należy samodzielnie przenosić urządzenia, gdyż jest ono bardzo ciężkie.
- Przed włożeniem bielizny sprawdzić, czy bęben jest pusty.

## Utylizacja

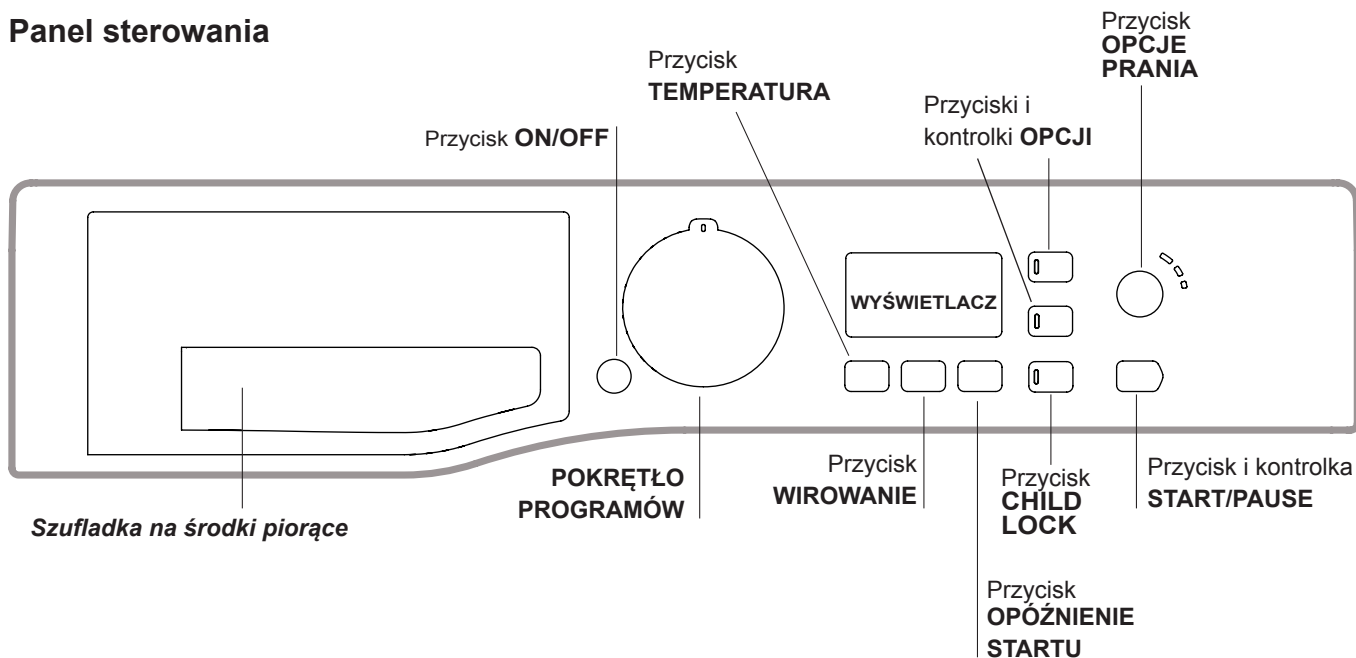
- Utylizacja opakowania: stosować się do lokalnych przepisów, dzięki temu opakowanie będzie mogło zostać ponownie wykorzystane.
- Dyrektywa europejska 2012/19/EU dotycząca odpadów urządzeń elektrycznych i elektronicznych przewiduje, że elektryczne urządzenia gospodarstwa domowego nie powinny być utylizowane w normalnym ciągu utylizacji stałych odpadów miejskich. Stare urządzenia powinny być zbierane oddzielnie, aby

zoptymalizować stopień odzysku i recykulacji materiałów, z których są one zbudowane, oraz aby zapobiec potencjalnym szkodom dla zdrowia i środowiska. Symbol przekreślonego kosza jest umieszczony na wszystkich produktach w celu przypominania o obowiązku ich segregacji. Właściciele urządzeń gospodarstwa domowego mogą uzyskać dodatkowe informacje dotyczące ich prawidłowej utylizacji, zwracając się do odpowiednich służb publicznych lub do sprzedawców tych urządzeń.


# Opis pralki

PL

## Panel sterowania




**Szufladka na środki piorące:** do dozowania środków piorących i dodatków (patrz “Środki piorące i bielizna”).


Przycisk **ON/OFF** : nacisnąć krótko przycisk w celu włączenia lub wyłączenia maszyny. Kontrolka **START/PAUSE**, która pulsuje powoli w kolorze zielonym wskazuje, że maszyna jest włączona. W celu wyłączenia pralki podczas prania konieczne jest dłuższe przytrzymanie naciśniętego przycisku, przez około 3 sek.; krótkie lub przypadkowe naciśnięcie wystarczy do wyłączenia maszyny. Wyłączenie maszyny podczas trwającego prania anuluje program prania.


**POKRĘTŁO PROGRAMÓW:** w celu ustawieniażądanego programu (patrz “Tabela programów”).


Przyciski i kontrolki **OPCJI**: służą do wybierania dostępnych funkcji. Kontrolka wybranej opcji pozostanie włączona.



Przycisk **OPCJE PRANIA** : nacisnąć w celu wybraniażądanego stopnia intensywności prania.

Przycisk **TEMPERATURA** : naciskać w celu zmniejszenia lub całkowitego wyłączenia temperatury; ustawiona wartość zostanie wskazana na wyświetlaczu.

Przycisk **WIROWANIE** : naciskać w celu zmniejszenia liczby obrotów lub całkowitego wyłączenia wirówki; ustawiona wartość zostanie wskazana na wyświetlaczu.

Przycisk **OPÓŹNIENIE STARTU** : naciskać w celu ustawienia opóźnionego startu wybranego programu; opóźnienie zostanie wskazane na wyświetlaczu.

Przycisk z kontrolką **START/PAUSE**: kiedy zielona kontrolka pulsuje powoli, nacisnąć przycisk w celu uruchomienia prania. Po uruchomieniu cyklu kontrolka świeci w sposób ciągły. W celu wybrania pauzy w praniu należy nacisnąć ponownie przycisk, kontrolka zacznie pulsować w kolorze pomarańczowym. Jeśli symbol  nie świeci się, można otworzyć drzwiczki (odczekać około 3 minuty). W celu ponownego uruchomienia prania od miejsca, w którym zostało przerwane, należy ponownie nacisnąć przycisk.

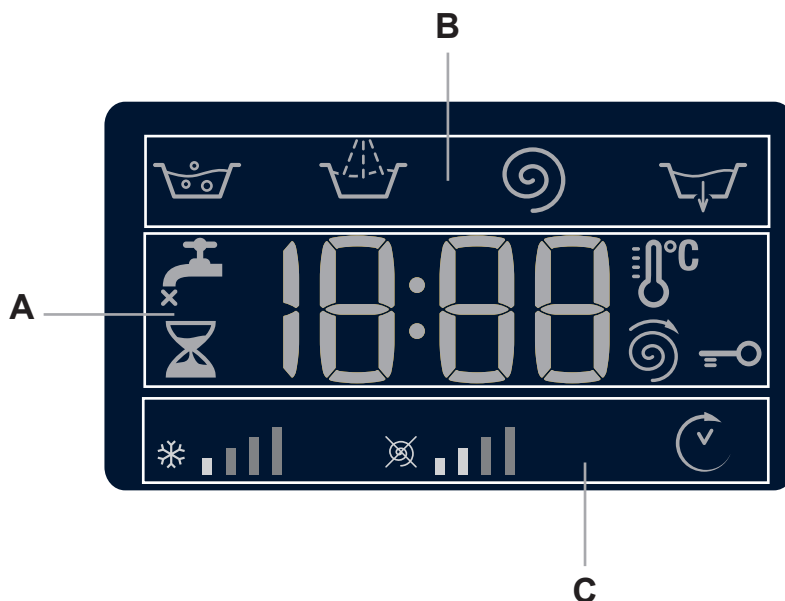
Przycisk **CHILD LOCK** : w celu uruchomienia lub wyłączenia blokady panelu sterowania należy przytrzymać naciśnięty przycisk przez około 2 sekundy. Podświetlony symbol  wskazuje, że panel sterowania został zablokowany. W ten sposób uniemożliwia się dokonywanie przypadkowych zmian w programach (z wyjątkiem przycisk ON/OFF), zwłaszcza, jeśli w domu obecne są dzieci.

W celu wyłączenia blokady panelu sterowania należy przytrzymać naciśnięty przycisk przez około 2 sekundy.

### Funkcja stand by

Pralka ta, w myśl nowych norm europejskich związanych z oszczędnością elektryczną, posiada system auto wyłączenia (stand by), który włącza się po 30 minutach nie użytkowania. Ponownie lekko wcisnąć przycisk ON-OFF i poczekać, aż pralka ponownie włączy się.

## Wyświetlacz









Wyświetlacz pomaga zaprogramować urządzenie i dostarcza wielu informacji.



W sekcji **A** wyświetla się czas trwania dostępnych programów, a po rozpoczęciu cyklu czas, jaki pozostaje do jego zakończenia; natomiast jeśli została ustawiona funkcja OPÓŹNIENIE STARTU, wyświetla się czas pozostający do momentu rozpoczęcia wybranego programu.


Ponadto, po naciśnięciu odpowiednich przycisków wyświetlają się maksymalne wartości szybkości wirowania i temperatury dla ustawionego programu lub ostatnie zaprogramowane wartości, jeśli są one odpowiednie dla wybranego programu.

W sekcji **B** wyświetlane są “fazy prania” przewidziane dla wybranego cyklu, a po rozpoczęciu programu aktualna “faza prania”:

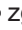
-  Pranie
-  Płukanie
-  Wirowanie
-  Odprowadzanie wody

W sekcji **C** są umieszczone, kolejno od lewej do prawej strony, ikony “temperatury”, “wirowania” i “Startu z opóźnieniem”. Kreski “temperatura”   wskazują poziom temperatury w odniesieniu do maksymalnego poziomu, jaki może być ustawiony dla wybranego cyklu.

Kreski “wirowanie”   wskazują poziom wirowania w odniesieniu do maksymalnego poziomu, jaki może być ustawiony dla wybranego cyklu.

Świeący symbol “Startu z opóźnieniem”  wskazuje, że na wyświetlaczu można odczytać ustawioną wartość “Startu z opóźnieniem”.




### Kontrolka **BLOKADY DRZWICZEK**

Jeśli symbol się świeci, oznacza to, że drzwiczki są zablokowane. Aby uniknąć uszkodzenia pralki, przed przystąpieniem do otwierania drzwiczek należy odczekać, aż symbol ten zgaśnie (odczekać około 3 minuty). Aby otworzyć drzwiczki w trakcie trwania cyklu, należy nacisnąć przycisk START/PAUSE; kiedy symbol BLOKADY DRZWICZEK  zgaśnie, można otworzyć drzwiczki (odczekać około 3 minuty).

# Jak wykonać cykl prania


PL

- 1. WŁĄCZENIE MASZYNY.** Nacisnąć przycisk , kontrolka START/PAUSE zacznie powoli pulsować w kolorze zielonym.
- 2. ZAŁADOWAĆ BIELIZNĘ.** Otworzyć drzwiczki. Włożyć bieliznę, uważając, aby nie przekroczyć wielkości wsadu wskazanej w tabeli programów znajdującej się na następnej stronie.
- 3. WSYPAĆ ŚRODEK PIORĄCY.** Wysunąć szufladkę i umieścić środek piorący w odpowiednich komorach zgodnie ze wskazówkami zawartymi w rozdziale „Środki piorące i bielizna”.
- 4. ZAMKNAĆ DRZWICZKI.**
- 5. WYBRAĆ PROGRAM.** Przy pomocy pokrętki PROGRAMY wybrać żądany program; ma on wstępnie ustawioną temperaturę i prędkość wirowania, jednak wartości te można zmienić. Na wyświetlaczu pojawi się czas trwania cyklu.
- 6. SPERSONALIZOWAĆ CYKL PRANIA.** Naciskać odpowiednie przyciski:


 **Zmienić temperaturę i/lub prędkość wirowania.** Urządzenie automatycznie wyświetla maksymalne wartości temperatury i prędkości wirowania dla ustawionego programu lub ostatnie wybrane wartości, jeśli są one zgodne z ustawionym programem. Naciskając przycisk  stopniowo zmniejsza się temperaturę, aż do prania na zimno „OFF”. Naciskając przycisk  stopniowo zmniejsza się prędkość wirowania, aż do jego wyłączenia „OFF”. Dodatkowe naciśnięcie przycisków przywróci maksymalne dostępne wartości.

! Wyjątek: wybierając program 3 temperaturę można podnieść aż do 90°.


 **Ustawić start z opóźnieniem.**


W celu ustawienia opóźnionego rozpoczęcia wybranego programu należy naciskać odpowiedni przycisk aż do osiągnięcia żadanego czasu opóźnienia. Kiedy ta opcja jest aktywna, na wyświetlaczu zaświeca się symbol . Aby anulować opóźnienie startu, należy naciskać przycisk do momentu pojawienia się na wyświetlaczu napisu „OFF”.

**Ustawić żądany stopień intensywności prania.**

Opcja  umożliwia optymalizację prania w zależności od stopnia zabrudzenia tkanin oraz żądanej intensywności prania.

Wybrać program prania, cykl zostanie automatycznie ustawiony na poziomie „Normal”, przeznaczonym dla średnio zabrudzonej odzieży, (ustawienie to nie stosuje się dla cyklu „Wełna”, który ustawia się automatycznie na poziomie „Delicate”).

W przypadku silnie zabrudzonej odzieży, należy nacisnąć przycisk  aż do przejścia do poziomu

„Intensive”. Poziom ten gwarantuje wysokiej jakości pranie, dzięki użyciu większej ilości wody w początkowej fazie cyklu i intensywniejszym ruchom mechanicznym służy do usuwania najoporniejszych plam. Może być używany z **wybielaczem i bez niego**. Jeśli chce się przeprowadzić wybielanie, należy włożyć dodatkową szufladkę **4**, znajdującą się w wyposażeniu, do szufladki **1**. Nie przekraczać poziomu „max” wybielacza w płynie, podanej na środkowym wskaźniku (zobacz rysunek na str. 34). W przypadku lekko zabrudzonej odzieży lub w celu delikatnego obchodzenia się z tkaninami, należy nacisnąć przycisk  aż do przejścia do poziomu „Delicate”. Cykl zredukuje ruchy mechaniczne, aby zagwarantować doskonały efekt prania delikatnej odzieży.

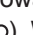

**Zmiana charakterystyki cyklu.**


- Naciskać przycisk w celu włączenia opcji; zaświeci się kontrolka odpowiadająca przyciskowi.
- Ponownie nacisnąć przycisk w celu wyłączenia opcji; kontrolka zgaśnie.


! Jeśli wybrana opcja jest niezgodna z ustawionym programem, kontrolka będzie pulsować i opcja nie zostanie włączona.

! Jeśli wybrana opcja nie może być łączona z inną, ustawioną wcześniej, kontrolka pierwszej wybranej opcji będzie migać i włączona zostanie tylko druga opcja, której kontrolka zaświeci się.

! W zależności od opcji może się zmieniać zalecana objętość wsadu i/lub czas trwania cyklu.

- 7. URUCHOMIĆ PROGRAM.** Nacisnąć przycisk START/PAUSE. Odpowiednia kontrolka zaświeci się kolorem zielonym i drzwiczki zostaną zablokowane (włączy się symbol BLOKADY DRZWICZEK ). W celu zmiany programu w czasie trwania cyklu należy ustawić pralkę w trybie pauzy, naciskając przycisk START/PAUSE (kontrolka START/PAUSE zacznie powoli pulsować bursztynowym światłem); następnie wybrać żądany cykl i ponownie nacisnąć przycisk START/PAUSE. W celu otwarcia drzwiczek w trakcie trwania cyklu należy nacisnąć przycisk START/PAUSE; kiedy symbol BLOKADY DRZWICZEK  zgaśnie, można otworzyć drzwiczki (odczekać około 3 minuty). Nacisnąć ponownie przycisk START/PAUSE, aby uruchomić program od momentu, w którym został on przerwany.

- 8. KONIEC PROGRAMU.** Wskazywany jest przez napis „END” na wyświetlaczu, kiedy symbol BLOKADY DRZWICZEK  zgaśnie, można otworzyć drzwiczki (odczekać około 3 minuty). Otworzyć drzwiczki, wyjąć bieliznę i wyłączyć urządzenie.

! Aby anulować już rozpoczęty cykl, należy długo przytrzymać wciśnięty przycisk . Cykl zostanie przerwany i urządzenie wyłączy się.



# Programy i opcje

Tabela programów

Programy	Opis programu	Temp. maks. (°C)	Prędkość maks. (obroty na minutę)	Środki piorące i dodatki				Wsad maks. (kg)	Wilgotność re-szkowa%	Zużycie energii kWh	Woda łącznie lt	Czas trwania cyklu
				Pranie wstępne	Pranie	Wybielacz	Środek zmiękczający					
1	Odplamianie	40°	1000	●	●	-	●	3	-	-	-	180'
2	Białe	60°	1000	●	●	-	●	3	-	-	-	190'
3	Bawełna Standard 60° (1): tkaniny białe i kolorowe, wytrzymałe, mocno zabrudzone.	60° (Max. 90°)	1000	●(3)	●	●	●	5	62	0.83	47.5	200'
4	Bawełna Standard 40° (2): tkaniny białe lekko zabrudzone i delikatne kolorowe.	40°	1000	-	●	●	●	5	62	0.75	48	150'
5	Syntetyczne: tkaniny kolorowe, wytrzymałe, mocno zabrudzone	60°	800	●	●	●	●	3	46	0.88	38	110'
5	Syntetyczne (4): tkaniny kolorowe, wytrzymałe, lekko zabrudzone.	40°	800	●	●	●	●	3	46	0.55	37	95'
6	Antyalergiczny	60°	1000	-	●	●	●	3	-	-	-	185'
7	Baby	40°	1000	●	●	●	●	3	-	-	-	160'
8	Wełna: do wełny, kaszmiru, itp.	40°	800	-	●	-	●	1	-	-	-	70'
9	Delikatne	30°	0	-	●	-	●	0.5	-	-	-	75'
10	Szybkie Pranie 60°: W celu szybkiego odświeżenia zabrudzonych tkanin (nie wskazany dla wełny, jedwabiu i tkanin przeznaczonych do prania ręcznego).	60°	1000	-	●	-	●	3.5	62	0.71	35	60'
11	Bawełna Standard 20°: tkaniny białe lekko zabrudzone i delikatne kolorowe.	20°	1000	-	●	●	●	5	-	-	-	230'
12	Bawełna	zimna woda	1000	-	●	-	●	5	62	0.17	53	95'
13	Syntetyczne	zimna woda	800	-	●	-	●	2.5	49	0.11	37	75'
14	Szybki 30'	zimna woda	800	-	●	-	●	2.5	71	0.06	30	30'
	Płukanie	-	1000	-	-	-	●	5	-	-	-	49'
	Wirowanie + Odprowadzanie Wody	-	1000	-	-	-	-	5	-	-	-	16'

Czas trwania cyklu wskazany na wyświetlaczu lub w instrukcji jest czasem oszacowanym dla standardowych warunków. Rzeczywisty czas trwania cyklu może się zmieniać w zależności od wielu czynników, takich jak temperatura i ciśnienie wody na wlocie, temperatura otoczenia, ilość detergentu, ilość i rodzaj pranej odzieży, wyważenie ładunku, wybrane opcje dodatkowe.

1) Program sterowania zgodny z normą 1061/2010: ustawić program 3 z temperaturą 60°C.

Ten cykl jest odpowiedni do prania średnio zabrudzonej odzieży bawełnianej i jest najbardziej wydajnym cyklem pod względem łącznego zużycia energii elektrycznej i wody; należy go używać do odzieży przeznaczonej do prania w 60°C. Rzeczywista temperatura prania może się różnić od podanej.

2) Program sterowania zgodny z normą 1061/2010: ustawić program 4 z temperaturą 40°C.

Ten cykl jest odpowiedni do prania średnio zabrudzonej odzieży bawełnianej i jest najbardziej wydajnym cyklem pod względem łącznego zużycia energii elektrycznej i wody; należy go używać do odzieży przeznaczonej do prania w 40°C. Rzeczywista temperatura prania może się różnić od podanej.

3) W temperaturze 60 °C nie można włączyć funkcji "Pranie wstępne".

Dla wszystkich Test Institutes:

2) Program bawełna, długi: ustawić program 4 z temperaturą 40°C.

4) Program tkaniny syntetyczne długi: ustawić program 5 z temperaturą 40°C.

## Opcje prania

### Extra Płukanie

Wybierając tę opcję zwiększa się skuteczność płukania i zapewnia się maksymalne usunięcie środka piorącego. Opcja ta jest przydatna dla osób o szczególnie wrażliwej skórze.

! Nie jest dostępna w przypadku programów 6, 9, 14, .

### Pranie wstępne

W przypadku wyboru tej funkcji zostanie wykonane pranie wstępne, które ułatwia usunięcie uporczywych plam.

**N.B.** Należy umieścić środek piorący w odpowiedniej przegrodce.

! Funkcja ta nie jest dostępna w przypadku programów

3 (60°), 4, 6, 8, 9, 10, 11, 12, 13, 14, , .

# Środki piorące i bielizna

PL

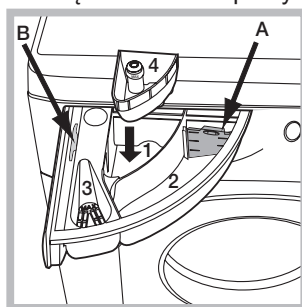
## Szufladka na środki piorące

Dobry rezultat prania zależy również od prawidłowego dozowania środka piorącego: użycie jego nadmiernej ilości nie poprawia skuteczności prania, lecz przyczynia się do powstawania natotów na wewnętrznych częściach pralki i do zanieczyszczania środowiska.

! piorące w proszku należy stosować do tkanin z białej bawełny i do prania wstępnego oraz do prania w temperaturze przekraczającej 60°C. Środki

! Należy stosować się do zaleceń podanych na opakowaniu środka piorącego.

! Nie stosować środków do prania ręcznego, ponieważ tworzą one za dużo piany.



Wysunąć szufladkę i umieścić w niej środek piorący lub dodatkowy w następujący sposób.

### Przegródka 1: Środek piorący do prania wstępnego (w proszku)

Przed wsypaniem środka piorącego należy sprawdzić,

czy nie jest włożony dodatkowy pojemnik 4.

### Przegródka 2: Środek piorący do prania zasadniczego (w proszku lub w płynie)

W przypadku stosowania środka piorącego w płynie, zaleca się użycie ścianki A dostarczonej na wyposażeniu, która ułatwia prawidłowe dozowanie. W celu użycia środka piorącego w proszku, należy wsunąć ściankę w zgłębienie B.

Przegródka 3: Środki dodatkowe (zmiękczające, itp.)  
Środek zmiękczający nie powinien wypływać poza kratkę.

Dodatkowy pojemnik 4: Wybielacz

## Przygotowanie bielizny

- Podzielić bieliznę do prania według:
  - rodzaju tkaniny / symbolu na etykiecie.
  - kolorów: oddzielić tkaniny kolorowe od białych.
- Opróżnić kieszenie i sprawdzić guziki.
- Nie przekraczać wskazanego ciężaru suchej bielizny: patrz "Tabela programów".

### Ile waży bielizna?

- 1 prześcieradło 400-500 gr.
- 1 poszewka 150-200 gr.
- 1 obrus 400-500 gr.
- 1 szlafrok 900-1.200 gr.
- 1 ręcznik 150-250 gr.

## Programy specjalne

**Odblamanie:** program 1 odpowiedni do prania silnie zabrudzonej odzieży o trwałych kolorach. Program gwarantuje klasę prania wyższą od standardowej (klasa A). Nie używać programu, gdy miesza się odzież w różnych kolorach. Zalecamy stosowanie środka piorącego w proszku. W przypadku szczególnie opornych plam, zalecamy wcześniej zastosowanie specjalnych dodatków.

**Białe:** z cyklu 2 należy korzystać do prania białych tkanin. Program został opracowany tak, aby chronił przed szarzeniem białych tkanin.

W celu osiągnięcia najlepszych wyników zaleca się stosowanie detergentu w proszku


**Antyalergiczny:** programu 6 należy używać do usuwania głównych alergenów, takich jak pyłki, roztocza, sierść kotów i psów.

**Baby:** Program 7 ten umożliwia usunięcie z odzieży zabrudzeń typowych dla dzieci, zapewniając przy tym całkowite wypłukanie środka piorącego z tkanin, aby uniknąć reakcji alergicznych, jakie mogłyby one wywołać na delikatnej skórze dziecka. Cykl ten został opracowany w celu ograniczenia liczby bakterii poprzez wykorzystanie większej ilości wody i optymalizację działania specjalnych dodatków higienizujących, którymi uzupełniany jest środek piorący.

**Wełna:** Cykl prania „Wełna” niniejszej pralki Hotpoint-Ariston został przetestowany i zatwierdzony przez Woolmark Company jako odpowiedni do prania odzieży wełnianej przeznaczonej wyłącznie do prania ręcznego, pod warunkiem, że pranie jest przeprowadzane zgodnie z instrukcjami podanymi na etykiecie ubrania oraz ze wskazówkami dostarczonymi przez producenta urządzenia. Hotpoint-Ariston to pierwsza marka pralek, która uzyskała od Woolmark Company certyfikat Woolmark Apparel Care - Platinum ze względu na osiągnięte rezultaty prania oraz zużycie wody i energii.



**Delikatne:** używać programu 9 do prania bardzo delikatnej odzieży, ozdobionej cekinami lub koralikami.

Do prania **jedwabiu** i **zaślin**, należy wybrać cykl 9 i ustawić poziom „Delicate” opcji .

Zalecamy wywrócenie ubrań na lewą stronę i włożenie małych części odzieży do woreczka przeznaczonego specjalnie do prania delikatnych ubrań. Dla osiągnięcia najlepszych efektów, zalecamy stosowanie środka piorącego w płynie do tkanin delikatnych.

### Programy Eco

Programy Eco dają dobre wyniki prania w niskich temperaturach, umożliwiając mniejsze zużycie energii elektrycznej, co przekłada się na korzyści dla środowiska naturalnego oraz oszczędności pieniężne.

Programy Eco (12 Bawełna, 13 Syntetyczne i 14 Szybki 30') zostały utworzone dla różnych rodzajów tkanin i dla odzieży mało zabrudzonej. Dla osiągnięcia najlepszych rezultatów zalecamy stosowanie środka piorącego w płynie; przed praniem użyć odpowiedniego środka do czyszczenia kołnierzyków, mankietów i usuwania plam.

**Bawełna Standard 20°** idealny do zabrudzonej bielizny bawełnianej. Dobre wyniki prania w zimnej wodzie, porównywalne z praniem w 40°, są gwarantowane dzięki działaniu mechanicznemu, wykonywanemu ze zmienną prędkością, której maksymalne wartości powtarzają się w krótkich odstępach czasu.

### System równoważenia wsadu

Przed każdym wirowaniem, aby uniknąć nadmiernych drgań oraz jednorodnie rozłożyć wsad, bęben wykonuje obroty z prędkością nieco większą niż podczas prania. Jeśli po kilku próbach wsad nie zostanie prawidłowo zrównoważony, urządzenie wykona wirowanie z prędkością mniejszą od przewidywanej. W przypadku wystąpienia nadmiernego niezrównoważenia wsadu pralka dokona jego rozłożenia zamiast odwirowania. Aby zapewnić lepsze rozłożenie wsadu oraz jego właściwe zrównoważenie zaleca się mieszanie dużych i małych sztuk bielizny.

# Nieprawidłowości w działaniu i sposoby ich usuwania

Może się zdarzyć, że pralka nie działa. Przed wezwaniem Serwisu Technicznego (*patrz „Serwis Techniczny”*) należy sprawdzić, czy problemu nie da się łatwo rozwiązać korzystając z poniższego wykazu.

## Nieprawidłowości w działaniu: Możliwe przyczyny / Rozwiązania:

### Pralka nie włącza się.

- Wtyczka nie jest włączona do gniazdka lub jest wsunięta za słabo, w taki sposób, że nie ma styku.
- W domu nie ma prądu.

### Cykl prania nie rozpoczyna się.

- Drzwiczki nie są dokładnie zamknięte.
- Nie został wciśnięty przycisk ON/OFF.
- Nie został wciśnięty przycisk START/PAUSE.
- Kurek dopływu wody jest zamknięty.
- Zostało ustawione opóźnienie godziny rozpoczęcia prania.

### Pralka nie pobiera wody (Na wyświetlaczu pulsuje napis H2O).

- Przewód doprowadzający wodę nie jest podłączony do zaworu.
- Przewód jest pozaginany.
- Kurek dopływu wody jest zamknięty.
- W domu nastąpiła przerwa w dostawie wody.
- Ciśnienie wody nie jest wystarczające.
- Nie został wciśnięty przycisk START/PAUSE.

### Pralka cały czas pobiera i odprowadza wodę.

- Przewód odpływowy nie został zainstalowany na wysokości między 65 a 100 cm od podłogi (*patrz „Instalacja”*).
- Końcówka przewodu odpływowego jest zanurzona w wodzie (*patrz „Instalacja”*).
- Otwór odpływowy w ścianie nie posiada odpowietrznika.

Jeśli po sprawdzeniu tych możliwości problem nie zostanie rozwiązany, należy zamknąć kurek dopływu wody, wyłączyć pralkę i wezwać Serwis Techniczny. Jeśli mieszkanie znajduje się na najwyższych piętrach budynku, może wystąpić efekt syfonu, w wyniku którego pralka cały czas pobiera i odprowadza wodę. W celu wyeliminowania tej niedogodności należy zakupić specjalny zawór, zapobiegający powstawaniu efektu syfonu.

### Pralka nie odprowadza wody i nie odwirowuje prania.

- Program nie przewiduje odprowadzania wody: w przypadku niektórych programów należy uruchomić je ręcznie.
- Przewód odpływowy jest pozaginany (*patrz „Instalacja”*).
- Instalacja ściekowa jest zatkana.

### Pralka mocno wibruje w fazie wirowania.

- Podczas instalacji pralki bęben nie został prawidłowo odblokowany (*patrz „Instalacja”*).
- Pralka nie jest właściwie wypoziomowana (*patrz „Instalacja”*).
- Pralka, zainstalowana pomiędzy meblami a ścianą, ma za mało miejsca (*patrz „Instalacja”*).

### Z pralki wycieka woda.

- Przewód doprowadzający wodę nie jest dobrze przykręcony (*patrz „Instalacja”*).
- Szufładka na środki piorące jest zatkana (w celu jej oczyszczenia *patrz „Utrzymanie i konserwacja”*).
- Przewód odpływowy nie jest dobrze zamocowany (*patrz „Instalacja”*).

### Kontrolki “Opcje” oraz START/PAUSE szybko pulsują, a na wyświetlaczu pojawia się kod nieprawidłowości (np.: F-01, F-..).

- Wyłączyć urządzenie i wyjąć wtyczkę z gniazdka, odczekać około 1 minuty, następnie włączyć je ponownie. Jeśli problem nie ustępuje, należy wezwać Serwis Techniczny.

### Tworzy się zbyt duża ilość piany.

- Środek piorący nie jest odpowiedni do pralek automatycznych (na opakowaniu musi być napisane: “do pralek”, “do prania ręcznego i w pralce” itp.).
- Użyto za dużo środka piorącego.

# Serwis Techniczny

PL

## Przed skontaktowaniem się z Serwisem Technicznym:

- Sprawdzić, czy problemu nie można rozwiązać samodzielnie (patrz "Nieprawidłowości w działaniu i sposoby ich usuwania");
- Ponownie uruchomić program i sprawdzić, czy problem nie zniknął;
- W przeciwnym wypadku skontaktować się z Serwisem Technicznym.

! Nigdy nie wzywać nieautoryzowanych techników.

## Należy podać:

- rodzaj nieprawidłowości;
- model urządzenia (Mod.);
- numer seryjny (S/N).

Informacje te znajdują się na tabliczce umieszczonej w tylnej części pralki oraz widocznej z przodu po otwarciu drzwiczek.

## ROZPORZĄDZENIE DELEGOWANE KOMISJI (UE) NR 1061/2010

Nazwa dostawcy	HOTPOINT/ARISTON
Nazwa modelu	WMUG 501 EU
Pojemność znamionowa w kg	5.0
Klasa efektywności energetycznej w skali od A+++ (niskie zużycie) do G (wysokie zużycie)	A+
Roczne zużycie energii w kWh rocznie <sup>1)</sup>	163.0
Zużycie energii w przypadku standardowego programu prania tkanin bawełnianych w 60 °C przy pełnym załadunku <sup>2)</sup>	0.834
Zużycie energii w przypadku standardowego programu prania tkanin bawełnianych w 60 °C przy częściowym załadunku <sup>2)</sup>	0.625
Zużycie energii w przypadku standardowego programu prania tkanin bawełnianych w 40 °C przy częściowym załadunku <sup>2)</sup>	0.578
Zużycie energii w trybie wyłączenia	0.5
Zużycie energii w trybie czuwania	8.0
Roczne zużycie wody w litrach <sup>3)</sup>	9733
Klasa efektywności wirowania w skali od A (najwyższa efektywność) do G (najniższa efektywność)	C
Maksymalna szybkość wirowania <sup>4)</sup>	1000
Uzyskana wilgotność <sup>5)</sup>	62%
Czas w min standardowego programu prania tkanin bawełnianych w 60 °C przy pełnym załadunku.	200
Czas w min standardowego programu prania tkanin bawełnianych w 60 °C przy częściowym załadunku.	150
Czas w min standardowego programu prania tkanin bawełnianych w 40 °C przy częściowym załadunku.	145
Czas trwania trybu czuwania	30
Poziom emitowanego hałasu podczas prania w dB(A) <sup>6)</sup>	0
Poziom emitowanego hałasu podczas wirowania w dB(A) <sup>6)</sup>	0

<sup>1)</sup> Standardowy program prania tkanin bawełnianych w 60 °C i „standardowy program prania tkanin bawełnianych w 40 °C” stanowią standardowe programy prania, do których odnoszą się informacje na etykiecie i w karcie, że są one odpowiednie do prania tkanin bawełnianych normalnie zabrudzonych oraz że są najbardziej efektywnymi programami pod względem łącznego zużycia energii i wody. Częściowy załadunek jest połową pełnego załadunku znamionowego.

<sup>2)</sup> Na podstawie 220 standardowych cykli prania w przypadku programów prania tkanin bawełnianych w 60 °C i 40 °C przy pełnym i częściowym załadunku oraz zużycie w trybach niskiego zużycia energii. Rzeczywiste zużycie energii zależy od sposobu użytkowania urządzenia.

<sup>3)</sup> Na podstawie 220 standardowych cykli prania w przypadku programów prania tkanin bawełnianych w 60 °C i 40 °C przy pełnym i częściowym załadunku. Rzeczywiste zużycie wody zależy od sposobu użytkowania urządzenia

<sup>4)</sup> W przypadku standardowego programu prania tkanin bawełnianych w 60 °C przy pełnym załadunku oraz standardowego programu prania tkanin bawełnianych w 40 °C przy częściowym załadunku, w zależności od tego, która z tych wartości jest niższa,

<sup>5)</sup> W przypadku standardowego programu prania tkanin bawełnianych w 60 °C przy pełnym załadunku lub standardowego programu prania tkanin bawełnianych w 40 °C przy częściowym załadunku, w zależności od tego, która z tych wartości jest wyższa;

<sup>6)</sup> Na podstawie hałasu powstającego podczas faz prania i wirowania, w przypadku standardowego programu prania tkanin bawełnianych w 60 °C.

# Instrucțiuni de folosire

MAȘINĂ DE SPĂLAT RUFEE

RO

Română

WMUG 501

## Sumar

### Instalare, 38-39

Despachetare și punere la nivel  
Racorduri hidraulice și electrice  
Primul ciclu de spălare  
Date tehnice

### Întreținere și curățire, 40

Înteruperea alimentării cu apă și curent electric  
Curățarea mașinii de spălat  
Curățarea compartimentului pentru detergent  
Îngrijirea ușii și a tamburului  
Curățarea pompei  
Controlarea furtunului de alimentare cu apă

### Precauții și sfaturi, 41

Siguranța generală  
Scoaterea aparatului din uz

### Descrierea mașinii de spălat, 42-43

Panoul de control  
Display

### Cum se desfășoară un ciclu de spălare, 44

### Programe și opțiuni, 45

Tabel de programe  
Opțiuni de spălare

### Detergenți și rufe, 46

Sertarul detergenților  
Pregătirea rufelor  
Programe particulare

### Anomalii și remedii, 47

### Asistență, 48

 **Hotpoint**  
ARISTON

# Instalare

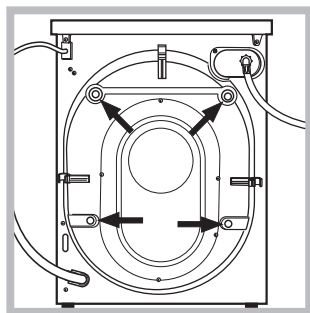
RO

! Este important să păstrați acest manual pentru a-l putea consulta în orice moment. În caz de vânzare, de cesiune sau de schimbare a locuinței, acesta trebuie să rămână împreună cu mașina de spălat pentru a informa noul proprietar cu privire la funcționare și la respectivele avertismente.

! Citiți cu atenție instrucțiunile: veți găsi informații importante cu privire la instalare, la folosire și la siguranță.

## Despachetare și punere la nivel Despachetare

1. Scoaterea din ambalaj a mașinii de spălat.
2. Controlați ca mașina de spălat să nu fi fost deteriorată în timpul transportului. Dacă este deteriorată, nu o conectați și contactați agentul de vânzare.



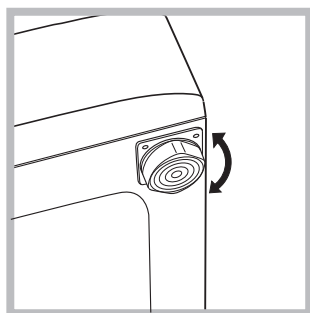
3. Scoateți cele 4 șuruburi de protecție pentru transport și cauciucul cu distanțierul respectiv, situate în partea posterioară (a se vedea figura).

4. Închideți orificiile cu dopurile din plastic aflate în dotare.
5. Păstrați toate piesele: pentru cazul în care mașina de spălat va trebui să fie transportată, piesele vor trebui montate din nou.

! Ambalajele nu sunt jucării pentru copii!

## Punere la nivel

1. Instalați mașina de spălat pe un paviment plan și rigid, fără a o sprijini de ziduri, mobilă sau altceva.



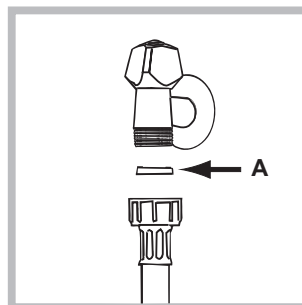
2. Dacă podeaua nu este perfect orizontală, compensați neregularitățile deșurubând sau înșurubând picioarele anterioare

(a se vedea figura); unghiul de înclinare, măsurat pe planul de lucru, nu trebuie să depășească 2°.

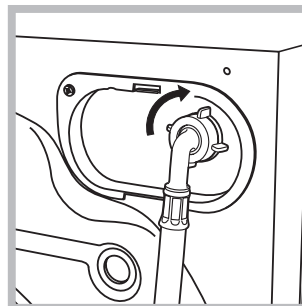
O nivelare precisă conferă stabilitate mașinii și evită vibrații, zgomote și deplasări pe timpul funcționării. În cazul mochetelor sau a unui covor, reglați picioarele astfel încât să mențineți sub mașina de spălat un spațiu suficient pentru ventilare.

## Racorduri hidraulice și electrice

### Racordarea furtunului de alimentare cu apă



1. Introduceți garnitura A în extremitatea tubului de alimentare și înșurubați-l la un robinet de apă rece cu gura filetată de 3/4 gaz (a se vedea figura). Înainte de conectare, lăsați apa să curgă pentru a se limpezi.



2. Conectați tubul de alimentare la mașina de spălat, înșurubându-l la priza de apă respectivă, amplasată în partea posterioară, sus în dreapta (a se vedea figura).

3. Fiți atenți ca furtunul să nu fie nici pliat, nici îndoit.

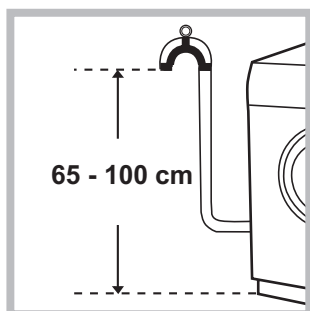
! Presiunea apei de la robinet trebuie să fie cuprinsă în valorile din tabelul cu Date tehnice (a se vedea pagina alăturată).

! Dacă lungimea furtunului de alimentare nu este suficientă, adresați-vă unui magazin specializat sau unui instalator autorizat.

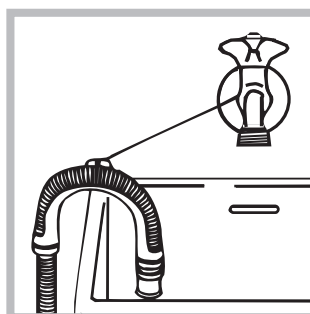
! Nu folosiți niciodată tuburi folosite deja.

! Utilizați tuburile furnizate cu mașina.

## Conectarea furtunului de golire



Conectați furtunul de evacuare, fără al îndoii, la o conductă sau la o gură de evacuare în zid, situate între 65 și 100 cm de pământ;



sau sprijiniți pe marginea unei chiuvete sau a unei căzi, legând elementul de ghidare la robinet (a se vedea figura). Capătul liber al furtunului de golire nu trebuie să rămână cufundat în

apă.

! Nu se recomandă folosirea furtunurilor prelungitoare; dacă este indispensabil, acestea trebuie să aibă același diametru ca și furtunul original și nu trebuie să depășească 150 cm lungime.

## Racordarea electrică

Înainte de a introduce ștecherul în priza de curent, asigurați-vă că:

- priza să fie cu împământare și conformă prevederilor legale;
- priza să poată suporta sarcina maximă de putere a mașinii, indicată în tabelul cu Date tehnice (a se vedea alături);
- tensiunea de alimentare să fie cuprinsă în valorile indicate în tabelul cu Date tehnice (a se vedea alături);
- priza să fie compatibilă cu ștecărul mașinii de spălat. În caz contrar înlocuiți priza sau ștecărul.

! Mașina de spălat nu trebuie instalată afară, nici chiar în cazul în care spațiul este adăpostit, deoarece este foarte periculoasă expunerea mașinii la ploi și furtuni.

! După instalarea mașinii de spălat, priza de curent trebuie să fie ușor accesibilă.

! Nu folosiți prelungitoare și prize multiple.



! Cablul nu trebuie să fie îndoit sau comprimat.

! Cablul de alimentare trebuie să fie înlocuit doar de instalatorii autorizați.

Atenție! Firma își declină orice responsabilitate în cazul în care aceste norme nu se respectă.

## Primul ciclu de spălare

După instalare, înainte de folosire, efectuați un ciclu de spălare cu detergent și fără rufe, selectând programul „AUTOCURĂȚARE” (a se vedea „Curățarea mașinii de spălat”).

Date tehnice	
<b>Model</b>	WMUG 501
<b>Dimensiuni</b>	lățime 59,5 cm înălțime 85 cm profundime 34,8 cm
<b>Capacitate</b>	de la 1 la 5 kg
<b>Legături electrice</b>	Vezi placuta cu caracteristicile tehnice, aplicata pe masina.
<b>Legături hidrice</b>	presiune maximă 1 MPa (10 bari) presiune minimă 0,05 MPa (0,5 bari) capacitatea cuvei 34 litri
<b>Viteza de centrifugare</b>	până la 1000 de rotații pe minut
<b>Programe de control conform directivelor 1061/2010 1015/2010</b>	programul 3; program standard la 60 °C pentru rufe din bumbac"; programul 4; program standard la 40 °C pentru rufe din bumbac";
 	Acest aparat este conform cu următoarele Directive Comunitare: - 2004/108/CE (Compatibilitate Electromagnetică) - 2006/95/CE (Tensiuni Joase) - 2012/19/EU

# Întreținere și curățare

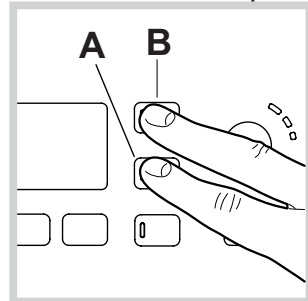
RO

## Înteruperea alimentării cu apă și curent electric

- Închideți robinetul de apă după fiecare spălare. Se limitează astfel uzura instalației hidraulice a mașinii de spălat și se elimină pericolul scurgerilor.
- Scoateți stecherul din priza de curent atunci când curățați mașina de spălat și când se efectuează lucrări de întreținere.

## Curățarea mașinii de spălat

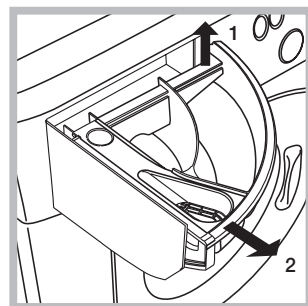
- Partea externă și părțile din cauciuc pot fi curățate cu o lavetă înmuiată în apă caldută și săpun. Nu folosiți solvenți sau substanțe abrazive.
- Mașina de spălat este prevăzută cu un program de „AUTOCURĂȚARE” a pieselor interne care trebuie realizat **fără niciun fel de încărcătură în cuvă**. Detergentul (în cantitate de 10% din cea recomandată pentru rufe puțin murdare) sau aditivii specifici pentru curățarea mașinii de spălat pot fi folosite ca mijloace auxiliare în programul de spălare. Se recomandă efectuarea programului de curățare la fiecare 40 de cicluri de spălare.



Pentru a activa programul, apăsați butoanele **A** și **B** în același timp pentru 5 secunde (a se vedea figura). Programul pornește automat și durează aproximativ 70 de minute. Pentru a

termina ciclul, apăsați butonul START/PAUSE.

## Curățarea compartimentului pentru detergent



Trageți afara compartimentul ridicându-l și tragându-l spre exterior (a se vedea figura). Spălați-l sub un jet de apă; această operație trebuie efectuată cât mai des posibil.

## Îngrijirea ușii și a tamburului

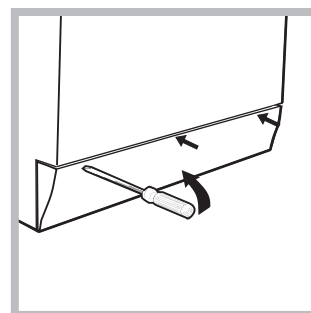
- Lăsați mereu ușa întredeschisă pentru a evita formarea de mirosuri neplăcute.

## Curățarea pompei

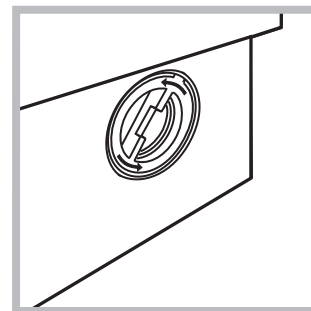
Mașina de spălat este dotată cu o pompă de autocurățare care nu are nevoie de întreținere. Se poate întâmpla însă ca unele obiecte mici (monede, nasturi) să cadă în anticamera care protejează pompa, situată în partea inferioară a acesteia.

! Verificați ca ciclul de spălare să fie încheiat și scoateți stecherul din priză.

Pentru a avea acces la anticameră:



1. scoateți panoul de acoperire din partea din față a mașinii de spălat folosind o șurubelniță (a se vedea figura);



2. deșurubați capacul rotindu-l în sens invers acelor de ceasornic (a se vedea figura). Este normal să iasă puțină apă;

3. curățați cu grijă interiorul;
4. înșurubați la loc capacul;
5. montați din nou panoul verificând, înainte de a-l împinge spre mașină, de a fi introdus cârligele în orificiile respective.

## Controlarea furtunului de alimentare cu apă

Controlați tubul de alimentare cel puțin o dată pe an. Dacă prezintă crăpături sau fisuri trebuie înlocuit: pe parcursul spălărilor, presiunea puternică ar putea provoca crăpături neașteptate.

! Nu folosiți niciodată tuburi folosite deja.



# Precauții și sfaturi

! Mașina de spălat a fost proiectată și construită conform normelor internaționale de protecție. Aceste avertizări sunt furnizate din motive de siguranță și trebuie să fie citite cu atenție.

## Siguranța generală

- Acest aparat a fost conceput exclusiv pentru utilizarea în locuințe.
- Aparatul nu trebuie utilizat de către persoane (inclusiv Aparat aparat poate fi folosit de copii începând cu vârsta de 8 ani și de persoane cu capacități fizice, senzoriale sau mentale reduse sau cu experiență și cunoștințe insuficiente dacă sunt supravegheate sau dacă au primit o pregătire adecvată privind folosirea aparatului în mod sigur și înțelegând pericolele respective. Copiii nu trebuie să se joace cu aparatul. Întreținerea și curățarea nu trebuie să fie efectuate de copii fără supraveghere.
- Mașina de spălat trebuie să fie folosită doar de persoane adulte care respectă instrucțiunile din acest manual.
- Nu atingeți mașina când sunteți desculți sau cu mâinile sau picioarele ude sau umede.
- Nu scoateți ștecherul din priză trăgând de cablu, ci apucând ștecherul.
- Nu deschideți sertarul detergenților în timp ce mașina se află în funcțiune.
- Nu atingeți apa de evacuare: poate avea o temperatură ridicată.
- Nu forțați în nici un caz ușa: s-ar putea deteriora mecanismul de siguranță care evită deschiderea accidentală.
- În caz de defecțiune, nu umblați în niciun caz la mecanismele din interior și nu încercați să o reparați singuri.
- Controlați mereu ca în apropierea mașinii aflate în funcțiune, să nu se afle copii.
- Pe durata spălării ușa se poate încălzi.
- Dacă trebuie să deplasați mașina, cereți ajutor unei alte (sau 2) persoane și fiți foarte atenți. Niciodată nu deplasați mașina singuri deoarece aceasta este foarte grea.
- Înainte de a introduce rufe, controlați ca și cuva să fie goală.

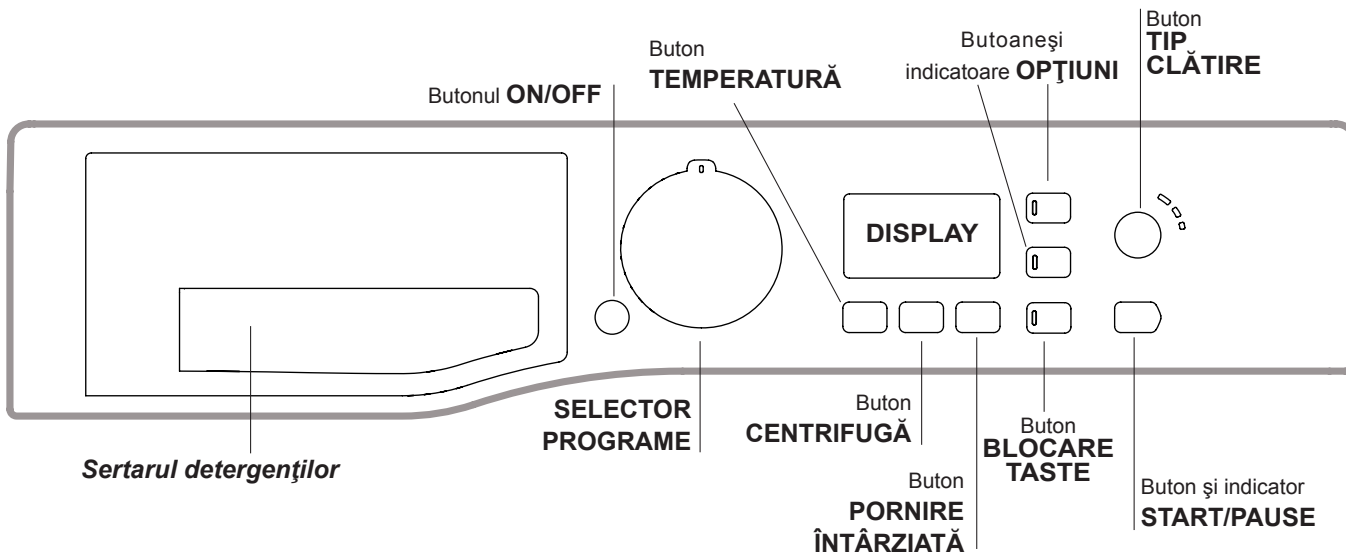
## Scoaterea din uz

- Eliminarea ambalajelor: respectați reglementările locale, în acest fel ambalajele vor putea fi refolosite.
- Directiva Europeană 2012/19/EU cu privire la deșeurile care provin de la aparatura electrică sau electronică prevede ca aparatele electrocasnice să nu fie colectate împreună cu deșeurile urbane solide, obișnuite. Aparatele scoase din uz trebuie să fie colectate separat atât pentru a optimiza rata de recuperare și de reciclare a materialelor componente cât și pentru a evita pericolele care pot afecta sănătatea omului sau polua mediul înconjurător. Simbolul


tomberonului tăiat care apare pe toate produsele vă amintește tocmai obligația de a le colecta separat. Pentru informații suplimentare cu privire la scoaterea din uz a electrocasnicelor, deținătorii acestora pot apela la centrele de colectare a deșeurilor sau la vânzătorii de la care au achiziționat produsele respective.

# Descrierea mașinii de spălat

## Panoul de control




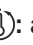
**Sertarul detergenților:** pentru a introduce detergenții sau aditivele (a se vedea “Detergenți și rufe”).


Buton **ON/OFF** : apăsați scurt tasta pentru a porni sau opri mașina de spălat. Indicatorul **START/PAUSE** emite un semnal intermitent de culoare verde, ceea ce vă confirmă pornirea mașinii. Pentru a opri funcționarea mașinii de spălat în timpul spălării, este necesar să țineți apăsată tasta circa 3 secunde; o apăsare de scurtă durată sau accidentală nu va opri mașina. Oprirea mașinii de spălat în timpul executării unui ciclu va anula programul în curs de desfășurare.


**SELECTOR PROGRAME:** pentru a alege programul dorit (a se vedea “Tabel programe”).


Butoane și indicatoare **OPTIUNE:** pentru a selecta opțiunile disponibile. Indicatorul privind opțiunea selectată va rămâne aprins.


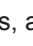
Buton **TIP CLĂTIRE** : apăsați pentru a selecta tipul dorit de clătire.

Buton **TEMPERATURĂ** : apăsați butonul pentru a diminua sau exclude temperatura; valoarea acesteia va fi afișată pe display.

Buton **CENTRIFUGĂ** : apăsați butonul pentru a reduce numărul de rotații sau a bloca storcătorul; numărul de rotații se poate vedea pe display.

Buton **PORNIRE ÎNTĂRZIATĂ** : apăsați pentru a seta sau pornire întârziată a programului preselectat; întârzierea este indicată pe display.

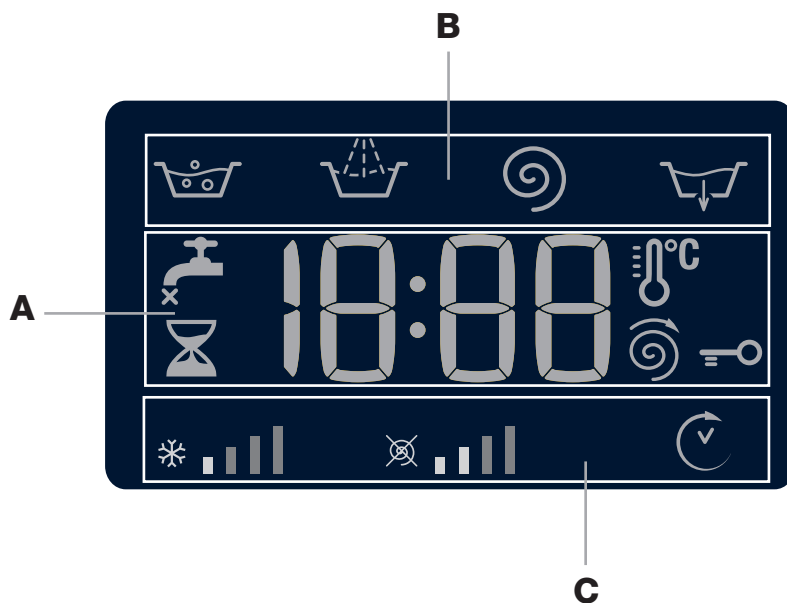
Buton și indicator **START/PAUSE:** când ledul verde emite un semnal intermitent, apăsați tasta pentru a porni ciclul de spălare. După activarea ciclului, ledul rămâne aprins. Pentru a introduce o pauză în timpul spălării, apăsați din nou tasta: ledul va emite o lumină intermitentă, de culoare portocalie. După stingerea indicatorului luminos , puteți deschide ușa (așteptați aproximativ 3 minute). Pentru a continua spălarea, de unde a fost întreruptă, apăsați din nou tasta.

Buton **BLOCARE TASTE** : pentru a **bloca** panoul de comandă, țineți apăsată tasta timp de 2 secunde. Dacă ledul  corespunzător este aprins, atunci panoul de comenzi este blocat. În acest fel, se evită modificarea accidentală a unui program (cu excepția buton ON/OFF), în special de către copii. Pentru a **debloca** panoul de comandă, țineți apăsată tasta timp de 2 secunde.

### Modalitatea de stand by

Această mașină de spălat rufe, conform noilor norme legate de economia de curent electric, este dotată cu un sistem de oprire automat (stand-by) care intră în funcțiune după 30 minute de neutilizare. Apăsați scurt tasta ON/OFF și așteptați repunerea în funcțiune a mașinii.

## Display






Ecranul este util pentru a programa mașina și a furniza numeroase informații.

În secțiunea **A** este afișată durata diferitelor programe la dispoziție și a celui rămas, în cazul unui ciclu de spălare deja în desfășurare; dacă a fost programat un interval de PORNIRE ÎNTÂRZIATĂ, este afișat intervalul rămas până la pornirea programului selectat.

De asemenea, apăsând butonul corespunzător, se vizualizează valorile maxime ale vitezei centrifugii și ale temperaturii pe care mașina le poate efectua în baza programului setat sau ultimele valori selectate dacă sunt compatibile cu programul ales.


În secțiunea **B** sunt afișate „fazele de spălare” prevăzute pentru ciclul selecționat și cele în curs de desfășurare, în cazul unui program deja pornit:

-  Spălare
-  Clătire
-  Centrifugă
-  Golire

În secțiunea **C** sunt prezente, începând de la stînga, iconițele pentru “temperatură”, “centrifugă” și “Pornire întârziată”. Barele “temperatură”  indică nivelul maxim de temperatură care poate fi selectat pentru ciclul setat. Barele “centrifugă”  indică nivelul maxim de centrifugare care poate fi selectat pentru ciclul setat. Simbolul “Pornire întârziată”  iluminat indică faptul că pe display este afișată valoarea “Pornirii întârziate” setate.


### Indicator UȘĂ BLOCATĂ

Iluminarea simbolului indică blocarea hubloului. Pentru a evita daune este necesar să se aștepte ca simbolul să se stingă înainte de a deschide ușa (așteptați aproximativ 3 minute).

Pentru a deschide ușa în timpul executării unui ciclu, apăsați butonul START/PAUSE; când simbolul UȘĂ BLOCATĂ  se stinge, puteți deschide ușa (așteptați aproximativ 3 minute).



# Cum se desfășoară un ciclu de spălare

RO

- 1. PUNEREA ÎN FUNCȚIUNE A MAȘINII** Apăsăți butonul ; indicatorul START/PAUSE va lumina intermitent lent cu culoarea verde.
- 2. INTRODUCEREA RUFELOR** Deschideți ușa. Introduceți rufele în mașină, fiind atenți să nu depășiți cantitatea indicată în tabelul de programe - a se vedea pagina următoare.
- 3. DOZAREA DETERGENTULUI** Extrageți sertarul și turnați detergent în compartimentele respective, după indicațiile din capitolul "Detergenți și rufe".
- 4. ÎNCHIDEȚI UȘA.**
- 5. ALEGEREA PROGRAMULUI** Selectați cu butonul PROGRAME programul dorit; acestuia îi sunt asociate o temperatură și o viteză de centrifugă care pot fi modificate. Pe ecran va apărea și durata ciclului.
- 6. PERSONALIZAREA CICLULUI DE SPĂLARE.** Apăsăți butoanele: respective.



## **Modificarea temperaturii și/sau a centrifugei.**

Mașina afișează automat temperatura și centrifuga maxime prevăzute pentru programul ales, sau ultimele selectate, dacă sunt compatibile cu programul.


Apăsând butonul  se reduce progresiv temperatura pînă spălarea rece "OFF". Apăsând butonul  se reduce progresiv centrifuga pînă la excluderea sa "OFF". Din acest moment, apăsarea ulterioară a butonelor va aduce valorile la cele maxime prevăzute.

! Excepție: dacă selectați programul 3 temperatura poate fi crescută pînă la 90°.


## **Setați pornirea întârziată.**

Pentru a programa pornirea întârziată a mașinii, apăsați butonul respectiv pentru a alege timpul de întârziere dorit. Când această opțiune este activată, pe display se aprinde simbolul . Pentru a șterge pornirea întârziată, apăsați butonul  pînă când pe ecran vedeți inscripția "OFF".

## **Reglați intensitatea dorită de spălare.**


Opțiunea  permite optimizarea spălării în funcție de gradul de murdărie al țesăturilor și de intensitatea dorită a spălării.

Selectați programul de spălare, ciclul este reglat automat la nivelul „Normal”, optimizat pentru rufe cu grad normal de murdărie (această reglare nu este valabilă pentru ciclul „Lână”, care se reglează automat la nivelul „Delicate”).

Pentru rufe foarte murdare apăsați butonul  pînă se ajunge la nivelul „Intensive”. Datorită utilizării unei cantități mai mari de apă în faza inițială a ciclului și a unei mișcări mecanice mai mari, această opțiune garantează o spălare de mare performanță și este

utilă pentru eliminarea petelor rezistente. Poate fi utilizată **cu** sau **fără** înălbitor.

Dacă doriți să efectuați albirea, introduceți tăvița suplimentară 4, din dotare, în tăvița 1. Când dozați înălbitorul, nu depășiți nivelul „max” indicat pe pivotul central (a se vedea figura de la pag. 46).

Pentru rufe puțin murdare sau pentru un tratament mai delicat al țesăturilor, apăsați butonul  pînă se ajunge la nivelul „Delicate”. Ciclul va reduce mișcarea mecanică pentru a asigura rezultate perfecte de spălare pentru rufe delicate.




## **Modificarea caracteristicilor ciclului.**


- Apăsăți butonul pentru a activa opțiunea; indicatorul corespunzător butonului se va aprinde.
- Apăsăți din nou butonul pentru a dezactiva această opțiune; indicatorul luminos respectiv se va stinge.

! Dacă opțiunea selectată nu este compatibilă cu programul ales, ledul corespunzător va semnaliza iar funcția nu se va activa.

! Dacă opțiunea selectată nu este compatibilă cu o altă opțiune, reglată anterior, ledul corespunzător primei opțiuni va emite un semnal intermitent și va fi activată numai a doua opțiune (ledul corespunzător acesteia se va aprinde).

! Cantitatea de rufe admisă precum și durata ciclului pot varia în funcție de funcția aleasă.

- 7. ACTIVAREA UNUI PROGRAM.** Apăsăți butonul START/PAUSE. Indicatorul luminos se va aprinde - culoare albastră și ușa se va bloca (simbolul UȘĂ BLOCATĂ  se va aprinde). Pentru a modifica un program în timpul executării unui ciclu, apăsați butonul START/PAUSE pentru a întrerupe momentan ciclul); indicatorul corespunzător butonului START/PAUSE se va aprinde intermitent culoarea aurie) și alegeți noul ciclu dorit și apăsați din nou butonul START/PAUSE. Pentru a deschide ușa în timpul executării unui ciclu, apăsați butonul START/PAUSE; când simbolul UȘĂ BLOCATĂ  se stinge, puteți deschide ușa (așteptați aproximativ 3 minute). Apăsăți din nou butonul START/PAUSE pentru a relua programul de unde era oprit.
- 8. TERMINAREA PROGRAMULUI** La încheierea ciclului, pe ecran va apărea mesajul "END"; când simbolul UȘĂ BLOCATĂ  se stinge, puteți deschide ușa (așteptați aproximativ 3 minute). Deschideți ușa, scoateți rufe și opriți mașina de spălat.

! Dacă doriți să anulați un ciclu deja activat, apăsați îndelung butonul . Ciclul se va întrerupe iar mașina se va opri.

# Programe și opțiuni

RO

Tabel de programe

Programe	Descrierea Programului	Temp. max. (°C)	Viteza max. (rotații pe minut)	Detergenți				Sarcina Max. (Kg)	Umiditate reziduală%	Consum energie kWh	Apă totală lt	Durata ciclului de spălare
				Prespălare	Decolorant	Balsam rufe	Spălare					
1	Antitipată	40°	1000	●	●	-	●	3	-	-	-	180'
2	Albituri	60°	1000	●	●	-	●	3	-	-	-	190'
3	Program standard la 60°C pentru rufe din bumbac (1): albe și colorate rezistente foarte murdare.	60° (Max. 90°)	1000	●(3)	●	●	●	5	62	0.83	47.5	200'
4	Program standard la 40°C pentru rufe din bumbac (2): albe și colorate delicate puțin murdare.	40°	1000	-	●	●	●	5	62	0.75	48	150'
5	Sintetice: colorate rezistente foarte murdare.	60°	800	●	●	●	●	3	46	0.88	38	110'
5	Sintetice (4): colorate rezistente puțin murdare.	40°	800	●	●	●	●	3	46	0.55	37	95'
6	Antialergic	60°	1000	-	●	●	●	3	-	-	-	185'
7	Baby	40°	1000	●	●	●	●	3	-	-	-	160'
8	Lână: pentru lână, cașmir, etc.	40°	800	-	●	-	●	1	-	-	-	70'
9	Ultra Delicate	30°	0	-	●	-	●	0.5	-	-	-	75'
10	SPĂLARE RAPIDĂ 60': pentru a împropăta rapid articolele puțin murdare (nu este indicat pentru lână, mătase și articole de spălat cu mâna).	60°	1000	-	●	-	●	3.5	62	0.71	35	60'
11	Program standard la 20°C pentru rufe din bumbac: albe și colorate delicate puțin murdare.	20°	1000	-	●	●	●	5	-	-	-	230'
12	Bumbac	Apă rece	1000	-	●	-	●	5	62	0.17	53	95'
13	Sintetice	Apă rece	800	-	●	-	●	2.5	49	0.11	37	75'
14	Rapid 30'	Apă rece	800	-	●	-	●	2.5	71	0.06	30	30'
	Clătire	-	1000	-	-	-	●	5	-	-	-	49'
	Centrifugă + Golire	-	1000	-	-	-	-	5	-	-	-	16'

Durata ciclului indicată pe display sau în carte este calculată în baza unor condiții standard. Timpul efectiv poate varia în baza a numeroși factori, precum temperatura și presiunea apei la intrare, temperatura mediului, cantitatea de detergent, cantitatea și tipul încărcăturii, echilibrarea încărcăturii, opțiunile suplimentare selectate.

## 1) Programul de control conform normei 1061/2010: setați programul 3 cu o temperatură de 60°C.

Acest ciclu este potrivit pentru curățarea unei încărcături de bumbac cu grad de murdărie normal și este cel mai eficient din punct de vedere al consumului combinat de energie și apă; se folosește pentru articole de îmbrăcăminte care pot fi spălate la 60°C. Temperatura efectivă de spălare poate diferi de cea indicată.

## 2) Programul de control conform normei 1061/2010: setați programul 4 cu o temperatură de 40°C.

Acest ciclu este potrivit pentru curățarea unei încărcături de bumbac cu grad de murdărie normal și este cel mai eficient din punct de vedere al consumului combinat de energie și apă; se folosește pentru articole de îmbrăcăminte care pot fi spălate la 40°C. Temperatura efectivă de spălare poate diferi de cea indicată.

## 3) La temperatura de 60°C funcția de "Prespălare" nu poate fi activată.

Pentru toate Instituțiile de Testare:

3) Program pentru bumbac, prelungit: setați programul 4 cu o temperatură de 40°C.

4) Program sintetic lung: setați programul 5 cu o temperatură de 40°C.

## Opțiuni de spălare

### Clătire Suplimentară

Selectând această opțiune, clătirea va fi mai eficientă, ceea ce asigură eliminarea totală a detergentului din rufe. Este recomandată cu precădere persoanelor cu pielea sensibilă.

! Nu se poate activa la programele 6, 9, 14, .

### Prespălare

Această funcție este utilă pentru prespălarea rufelor, mai ales în scopul de a îndepărta petele rezistente.

**N.B.:** Adăugați detergent în sertarul respectiv.

! Nu poate fi activată pe programele 3 (60°), 4, 6, 8, 9, 10, 11, 12, 13, 14, , .

# Detergenți și rufe

RO

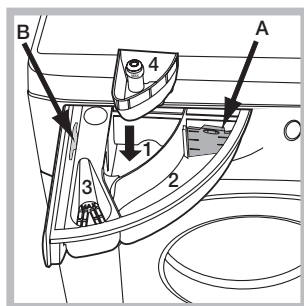
## Sertarul detergenților

Un rezultat bun la spălare depinde și de dozarea corectă a detergentului: excesul de detergent nu garantează o spălare mai eficientă, ci contribuie la încrustarea părților interne ale mașinii de spălat și la poluarea mediului înconjurător.

! Utilizați detergenți praf pentru rufe albe de bumbac, pentru prespălare și pentru spălarea la temperaturi mai mari de 60°C.

! Respectați indicațiile de pe ambalajul detergentului.

! Nu introduceți în mașină detergenții pentru spălarea manuală deoarece formează prea multă spumă.



Extrageți sertarul pentru detergenți și introduceți detergentul sau aditivul după cum urmează:

### compartment 1: Detergent pentru prespălare (sub formă de praf)

Înainte de a adăuga detergentul verificați ca sertarul adițional 4 să nu fie introdus.

### compartment 2: Detergent pentru spălare (sub formă de praf sau lichid)

Când utilizați detergent lichid este recomandat să folosiți peretele despărțitor **A** prevăzut pentru dozarea corectă. Pentru utilizarea de detergent praf puneți peretele despărțitor în cavitatea **B**.

### compartment 3: Aditivi (soluție de înmuiat, balsam rufe etc.)

Soluția de înmuiat nu trebuie să iasă deasupra grătarului.

### compartment adițional 4: Decolorant (Înălbitor)

## Pregătirea rufelor

- Subdivizați rufe în funcție de:
  - tipul de țesătură / simbolul de pe etichetă.
  - culori: separați rufe colorate de cele albe.
- Goliți buzunarele și controlați nasturii.
- Nu depășiți valorile indicate, referite la greutatea rufelor uscate: a se vedea "Tabel de programe".

### Cât cântăresc rufele?

- 1 cearceaf 400-500 g.
- 1 față de pernă 150-200 g.
- 1 față de masă 400-500 g.
- 1 halat de baie 900-1.200 g.
- 1 prosop 150-250 g.

## Programe particulare

**Antipată:** programul 1 este potrivit pentru rufe foarte murdare, cu culori rezistente. Programul asigură o clasă de spălare superioară față de clasa standard (clasa A). Nu efectuați programul amestecând rufe de culori diferite. Se recomandă folosirea unui detergent praf. Pentru petele dificile se recomandă pre-tratamentul cu aditivi specifici.

**Albituri:** folosiți acest ciclu 2 pentru spălarea rufelor albe. Programul este conceput pentru a păstra strălucirea culorii albe în timp. Pentru rezultate mai bune, se recomandă folosirea unui detergent praf.


**Antialergic:** folosiți programul 6 pentru îndepărtarea principalilor alergeni, cum ar fi polenul, acarienii din praf, părul de pisică și de câine.

**Baby:** folosiți programul special 7 pentru a înlătura murdăria tipică a copiilor și pentru a elimina detergentul din rufe, evitând astfel reacțiile alergice pentru pielea delicată a copiilor. Ciclu a fost conceput pentru a diminua încărcarea bacteriană prin folosirea unei cantități de apă mai mari și prin optimizarea aditivelor speciale de igienizare, adăugate la detergent.

**Lână:** ciclul de spălare "Lână" al acestei mașini de spălat Hotpoint-Ariston a fost testat și aprobat de Woolmark Company pentru spălarea articolelor de lână clasificate ca fiind lavabile de mână, cu condiția ca spălarea să se efectueze în conformitate cu instrucțiunile specificate pe eticheta articolului și cu indicațiile furnizate de producătorul aparatului. Hotpoint-Ariston este prima marcă de mașini de spălat care a obținut de la Woolmark Company certificarea Woolmark Apparel Care - Platinum pentru performanțele sale de spălare și consumul de apă și energie.



**Ultra Delicate:** folosiți programul 9 pentru spălarea rufelor foarte delicate, care au aplicații, cum ar fi strass sau paiete.

Pentru a spăla articole din **mătase și perdele**, selectați ciclul 9 și reglați nivelul „Delicate” al opțiunii . Se recomandă să întoarceți pe dos rufe înainte de spălare și să introduceți articolele mici într-un sac special pentru spălarea rufelor delicate.

Pentru cele mai bune rezultate, vă recomandăm utilizarea unui detergent lichid pentru rufe delicate.

### Programele Eco

Programele Eco oferă performanțe bune de spălare la temperaturi scăzute, permițând o folosire redusă a energiei electrice, ceea ce înseamnă un beneficiu pentru mediul înconjurător și o economie de bani.

Programele Eco (Bumbac 12, Sintetice 13 și Rapid 30' 14) au fost create pentru diferite tipuri de țesături și pentru rufe puțin murdare. Pentru a garanta un rezultat optim, recomandăm folosirea unui detergent lichid; se recomandă pre-tratarea manșetelor, gulerelor și petelor.

**Program standard la 20°C pentru rufe din bumbac** ideal pentru rufe de bumbac murdare. Performanțele bune și la rece, comparabile cu o spălare la 40°, sunt garantate de o acțiune mecanică care lucrează prin varierea vitezei la intervale repetate și apropiate.

### Sistemul de echilibrare a sarcinii

Pentru a evita trepidațiile excesive, înainte de storcere, cuva mașinii va distribui cantitatea de rufe în mod uniform, centrifuga efectuând câteva rotații la o viteză mai mare decât viteza de spălare. Dacă, după numeroase încercări, mașina nu reușește să echilibreze greutatea, storcerea rufelor se va face la o viteză mai mică decât cea prevăzută în program. Dacă instabilitatea este prea mare, mașina va distribui greutatea în locul centrifugei. Pentru a favoriza o mai bună repartizare a rufelor și echilibrarea corectă a mașinii, se recomandă să introduceți în mașină atât articole mari cât și mici.

# Anomalii și remedii

Se poate întâmpla ca mașina de spălat să nu funcționeze. Înainte de a apela serviciul de Asistență (*a se vedea Asistența*), verificați dacă nu este vorba de o problemă ușor de rezolvat:

## Anomalii:

## Cauze posibile / Rezolvare:

### Mașina de spălat nu pornește.

- Ștecărul nu este introdus în priza de curent, sau nu face contact.
- Aveți o pană de curent la domiciliu.

### Ciclul de spălare nu pornește.

- Ușa nu este bine închisă.
- Butonul ON/OFF nu a fost apăsată.
- Butonul START/PAUSE nu a fost apăsat.
- Robinetul de apă nu este deschis.
- A fost setată o întârziere față de ora pornirii.

### Mașina de spălat nu încarcă apă (Pe display este vizualizat scris "H2O").

- Furtunul de alimentare cu apă nu este racordat la robinet.
- Furtunul este îndoit.
- Robinetul de apă nu este deschis.
- Apa la domiciliul dvs. este oprită.
- Apa nu are presiune suficientă.
- Butonul START/PAUSE nu a fost apăsat.

### Mașina de spălat încarcă și descarcă apă încontinuu.

- Furtunul de golire nu a fost instalat la o înălțime cuprinsă între 65 și 100 cm de pământ (*a se vedea "Instalare"*).
- Capătul furtunului de evacuare este cufundat în apă (*a se vedea "Instalare"*).
- Evacuarea din perete nu are răsufare pentru aer.

Dacă după aceste verificări problema nu se rezolvă, închideți robinetul de apă, stingeți mașina de spălat și chemați Asistența. Dacă locuința se află la ultimele etaje ale unui edificiu, este posibil să aibă loc fenomene de sifonare, motiv pentru care mașina de spălat încarcă și descarcă apă încontinuu. Pentru a elimina acest inconvenient, se găsesc în comerț supape anti-sifonare.

### Mașina de spălat nu se golește sau nu stoarce.

- Programul nu prevede golirea apei: cu unele programe trebuie pornit manual.
- Furtunul de golire este îndoit (*a se vedea "Instalare"*).
- Conducta de descărcare este înfundată.

### Mașina de spălat vibrează foarte mult în timpul stoarcerii.

- Cuva, în momentul instalării, nu a fost deblocată în mod corespunzător (*a se vedea "Instalare"*).
- Mașina de spălat este în pantă (*a se vedea "Instalare"*).
- Mașina de spălat este prea aproape de pereți și mobilier (*a se vedea "Instalare"*).

### Mașina de spălat pierde apă.

- Furtunul de alimentare cu apă nu este bine înșurubat (*a se vedea "Instalare"*).
- Sertarul detergenților este înfundat (pentru a-l curăța *a se vedea "Întreținere și curățare"*).
- Furtunul de golire nu este bine fixat (*a se vedea "Instalare"*).

### Indicatoarele Opțiunilor și ale START/PAUSE luminează intermitent repede și display-ul afișează un cod de anomalie (ex.: F-01, F-..).

- Opriți mașina și scoateți ștecărul din priză; așteptați aprox. 1 minut înainte de a o reaprinde. Dacă nu obțineți nici un rezultat, apelați Centrul de Service pentru asistență.

### Se formează prea multă spumă.

- Detergentul nu este compatibil cu mașina de spălat (trebuie să fie scris "pentru mașina de spălat", "de mână și în mașina de spălat", sau ceva asemănător).
- Dozajul a fost excesiv.

# Asistență

RO

## Înainte de a lua legătura cu Asistența:

- Verificați dacă puteți rezolva singuri problema (a se vedea "Anomalii și remedii");
- Porniți din nou programul pentru a controla dacă inconvenientul a fost eliminat;
- În caz negativ, contactați un Centru de Asistență Tehnică.

! Nu apelați niciodată la persoane neautorizate.

## Comunicați:

- tipul de anomalie;
- modelul mașinii (Mod.);
- numărul de serie (S/N).

Aceste informații sunt specificate pe plăcuța cu date tehnice, lipită în partea din spate a mașinii de spălat precum și în partea anterioară, după ce deschideți ușa.

## Atenționări în conformitate cu legislația în vigoare

- Conform prevederilor legislației privind gestionarea deșeurilor, este interzisă eliminarea deșeurilor de echipamente electrice și electronice (DEEE) alături de deșeurile municipale nesortate. Ele trebuie predate la punctele municipale de colectare, societățile autorizate de colectare/reciclare sau distribuitori (în cazul în care se achiziționează echipamente noi de același tip).
- Autoritățile locale trebuie să asigure spațiile necesare pentru colectarea selectivă a deșeurilor precum și funcționalitatea acestora. Contactați societatea de salubritate sau compartimentul specializat din cadrul primăriei pentru informații detaliate.
- Deșeurile de echipamente electrice și electronice pot fi predate și distribuitorilor, la achiziționarea de echipamente noi de același tip (schimb 1 la 1).
- Predarea, de către utilizatori, a deșeurilor de echipamente electrice și electronice, la punctele de colectare municipale, societățile autorizate de colectare/reciclare sau distribuitori (în cazul în care se achiziționează echipamente noi de același tip) facilitează refolosirea, reciclarea sau alte forme de valorificare a acestora.
- Deșeurile de echipamente electrice și electronice pot conține substanțe periculoase care pot avea un impact negativ asupra mediului și sănătății umane în cazul în care DEEE nu sunt colectate selectiv și gestionate conform prevederilor legale.
- Simbolul alăturat (o pubela cu roți, barata cu două linii în forma de X), aplicat pe un echipament electric sau electronic, semnifică faptul că acesta face obiectul unei colectări separate și nu poate fi eliminat împreună cu deșeurile municipale nesortate.



## REGULAMENTUL DELEGAT (UE) NR. 1061/2010 AL COMISIEI

Marca	HOTPOINT/ARISTON
Modelul	WMUG 501 EU
Capacitatea nominală exprimată în kg de rufe din bumbac	5.0
Clasa de eficiență energetică pe o scară de la A+++ (consum redus) la G (consum ridicat)	A+
Consumul de energie anual exprimat în kWh <sup>1)</sup>	163.0
Consumul de energie la programul de spălare rufe din bumbac standard la 60 °C la capacitate maximă exprimat în kWh <sup>2)</sup>	0.834
Consumul de energie la programul de spălare rufe din bumbac standard la 60 °C la capacitate parțială exprimat în kWh <sup>2)</sup>	0.625
Consumul de energie la programul de spălare rufe din bumbac standard la 40 °C la capacitate parțială exprimat în kWh <sup>2)</sup>	0.578
Consumul de energie în modul off (oprit) exprimat în W	0.5
Consumul de energie în modul left-on (rămas în funcțiune) exprimat în W	8.0
Consumul de apă anual exprimat în litri <sup>3)</sup>	9733
Clasa de eficiență la centrifugare pe o scară de la G (eficiență minimă) la A (eficiență maximă)	C
Numărul maxim de rotații <sup>4)</sup>	1000
Conținutul de apă rămas <sup>5)</sup>	62%
Durata programului de spălare rufe din bumbac standard la 60 °C la capacitate maximă exprimată în minute.	200
Durata programului de spălare rufe din bumbac standard la 60 °C la capacitate parțială exprimată în minute.	150
Durata programului de spălare rufe din bumbac standard la 40 °C la capacitate parțială exprimată în minute.	145
Durata modului left-on (rămas în funcțiune) exprimată în minute	30
Nivelul de zgomot exprimat în dB(A) re 1 pW spălare <sup>6)</sup>	0
Nivelul de zgomot exprimat în dB(A) re 1 pW centrifugare <sup>6)</sup>	0

<sup>1)</sup> Programul de spălare rufe din bumbac standard la 60 °C la capacitate maximă și parțială și "programul de spălare rufe din bumbac standard la 40 °C la capacitate parțială sunt programele de spălare standard la care fac referire informațiile de pe etichetă și din fișa produsului. Programul de spălare rufe din bumbac standard la 60 °C și programul de spălare rufe din bumbac standard la 40 °C sunt adecvate pentru spălarea rufelor din bumbac cu grad de murdărie normal și sunt cele mai eficiente programe din punct de vedere al consumului combinat de energie și apă. Încărcarea parțială reprezintă jumătate din încărcarea nominală.

<sup>2)</sup> Pe baza programelor cu 220 de cicluri de spălare rufe din bumbac standard la 60°C și 40°C la încărcare maximă și parțială, și a consumului modurilor cu consum redus. Consumul real de energie va depinde de modul în care este utilizat aparatul.

<sup>3)</sup> Pe baza programelor cu 220 de cicluri de spălare rufe din bumbac standard la 60°C și 40°C la capacitate maximă și parțială. Consumul real de apă va depinde de modul în care este utilizat aparatul.

<sup>4)</sup> Pentru programul de spălare rufe standard la 60 °C la încărcare maximă și parțială sau la 40°C la încărcare parțială, oricare dintre acestea este mai scăzut.

<sup>5)</sup> S-a obținut pentru programul de spălare rufe din bumbac standard la 60 °C la încărcare maximă și parțială sau la 40°C la încărcare parțială, oricare dintre acestea este mai ridicat.

<sup>6)</sup> Pe baza fazelor de spălare și centrifugare pentru programul de spălare rufe din bumbac standard la 60 °C la încărcare maximă.



CZ

Česky

WMUG 501

## Obsah

### Instalace, 50-51

Rozbalení a vyrovnání do vodorovné polohy  
Připojení k elektrické a k vodovodní síti  
První prací cyklus  
Technické údaje

### Údržba a péče, 52

Uzavření přívodu vody a vypnutí elektrického napájení  
Čištění pračky  
Čištění dávkovače pracích prostředků  
Péče o dvířka a buben  
Čištění čerpadla  
Kontrola přítokové hadice na vodu

### Opatření a rady, 53

Základní bezpečnostní pokyny  
Likvidace

### Popis pračky, 54-55

Ovládací panel  
Displej

### Jak provést prací cyklus, 56

### Programy a volitelné funkce, 57

Tabulka programů  
Volitelné funkce praní

### Prací prostředky a prádlo, 58

Dávkovač pracích prostředků  
Příprava prádla  
Speciální programy

### Poruchy a způsob jejich odstranění, 59

### Servisní služba, 60

# Instalace

CZ

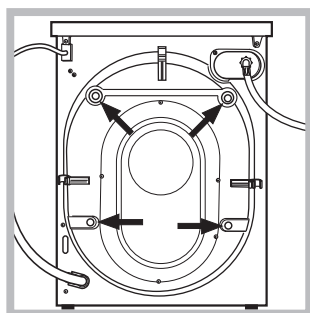
! Je důležité uschovat tento návod tak, abyste jej mohli kdykoli konzultovat. V případě prodeje, darování nebo přestěhování pračky se ujistěte, že zůstane uložen v blízkosti pračky, aby mohl posloužit novému majiteli při seznámení s její činností a s příslušnými upozorněními.

! Pozorně si přečtěte uvedené pokyny: Obsahují důležité informace týkající se instalace, použití a bezpečnosti při práci.

## Rozbalení a vyrovnaní do vodorovné polohy

### Rozbalení

1. Rozbalte pračku.
2. Zkontrolujte, zda během přepravy nedošlo k jejímu poškození. V případě, že je poškozena, ji nezapojte a obraťte se na prodejce.



3. Odstraňte 4 šrouby chránící před poškozením během přepravy a gumovou podložku s příslušnou rozpěrkou, které se nacházejí v zadní části (viz obrázek).

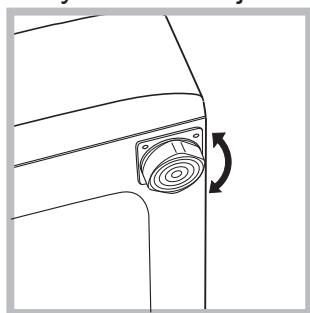
4. Uzavřete otvory po šroubech plastovými krytkami z příslušenství.

5. Uschovejte všechny díly: v případě opětovné přepravy pračky je bude třeba namontovat zpět.

! Obaly nejsou hračky pro děti!

### Vyrovnaní do vodorovné polohy

1. Pračku je třeba umístit na rovnou a pevnou podlahu, aniž by se opírala o stěnu, nábytek či něco jiného.



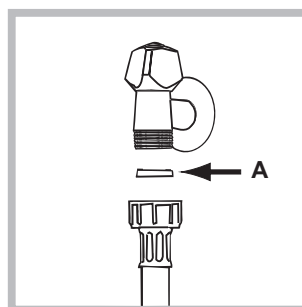
2. V případě, že podlaha není dokonale vodorovná, mohou být případné rozdíly vykompenzovány šroubováním předních nožek (viz obrázek); Úhel sklonu, naměřený na pracovní ploše,

nesmí přesáhnout 2°.

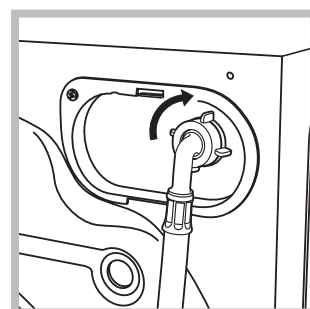
Dokonalé vyrovnaní do vodorovné polohy zabezpečí stabilitu zařízení a zamezí vzniku vibrací a hluku během činnosti. V případě instalace na podlahovou krytinu nebo na koberec nastavte nožky tak, aby pod pračkou zůstal dostatečný volný prostor pro ventilaci.

## Připojení k elektrické a k vodovodní síti

### Připojení přítokové hadice vody



1. Vložte těsnění A do koncové části přítokové hadice a připevněte ji k uzávěru studené vody se závitem 3/4" (viz obrázek). Před připojením hadice nechte vodu odtéci, dokud nebude průzračná.



2. Připojte přítokovou hadici k pračce prostřednictvím příslušné přípojky na vodu, umístěné vpravo nahoře (viz obrázek).

3. Dbejte na to, aby hadice nebyla příliš ohnutá ani stlačená.

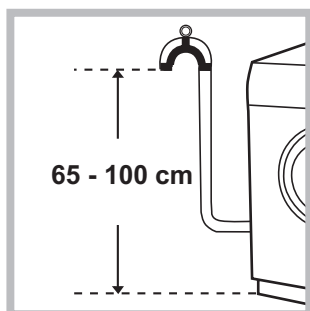
! Tlak v rozvodu vody se musí pohybovat v rozmezí hodnot uvedených v tabulce s technickými údaji (viz vedlejší strana).

! V případě, že délka přítokové hadice nebude dostatečná, se obraťte na specializovanou prodejnu nebo na autorizovaný technický personál.

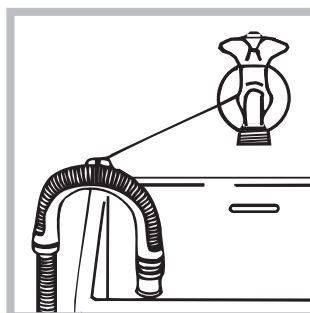
! Nikdy nepoužívejte již použité hadice.

! Používejte hadice z příslušenství zařízení.

## Připojení vypouštěcí hadice



Připojte vypouštěcí hadici k odpadovému potrubí nebo k odpadu ve stěně, který se nachází od 65 do 100 cm nad zemí; zamezte jejímu ohybu



nebo ji uchyťte k okraji umývadla či vany a připevněte ji ke kohoutu prostřednictvím držáku z příslušenství (viz obrázek). Volný konec vypouštěcí hadice nesmí zůstat ponořený do vody.

! Použití prodlužovacích hadic se nedoporučuje; je-li však nezbytné, prodlužovací hadice musí mít stejný průměr jako originální hadice a její délka nesmí přesáhnout 150 cm.

## Připojení k elektrické síti

Před zasunutím zástrčky do zásuvky se ujistěte, že:

- Je zásuvka uzemněna a že vyhovuje normám;
- je zásuvka schopna snést maximální zátěž odpovídající jmenovitému příkonu zařízení, uvedenému v tabulce s technickými údaji (viz vedle);
- hodnota napájecího napětí odpovídá údajům uvedeným v tabulce s technickými údaji (viz vedle);
- je zásuvka kompatibilní se zástrčkou pračky. V opačném případě je třeba vyměnit zásuvku nebo zástrčku.

! Pračka nesmí být umístěna venku – pod širým nebem, a to ani v případě, že by se jednalo o místo chráněné před nepřízní počasí, protože je velmi nebezpečné vystavit ji působení deště a bouří.

! Po definitivní instalaci pračky musí zásuvka zůstat snadno přístupná.

! Nepoužívejte prodlužovací kabely a rozvodky.

! Kabel nesmí být ohnutý ani stlačený.


! Výměna kabelu musí být svěřena výhradně autorizovanému technickému personálu.

Upozornění! Výrobce neponese žádnou odpovědnost za následky nerespektování uvedených předpisů.

## První prací cyklus

Po instalaci zařízení je třeba ještě předtím, než je použijete na praní prádla, provést jeden zkušební cyklus s pracím prostředkem a bez náplně prádla nastavením pracího programu „Samočištění“ (viz „Čištění pračky“).

### Technické údaje

<b>Model</b>	WMUG 501
<b>Rozměry</b>	šířka 59,5 cm výška 85 cm hloubka 34,8 cm
<b>Kapacita</b>	od 1 do 5 kg
<b>Napájení</b>	Viz štítek s technickými údaji, aplikovaný na zařízení.
<b>Připojení k rozvodu vody</b>	maximální tlak 1 MPa (10 bar) minimální tlak 0.05 MPa (0.5 bar) kapacita bubny 34 litrů
<b>Rychlost odstředování</b>	až do 1000 otáček za minutu
<b>Kontrolní programy podle směrnice 1061/2010 1015/2010</b>	program 3; Standardní programy pro bavlnu 60°; program 4; Standardní programy pro bavlnu 40°.
 	Toto zařízení odpovídá následujícím normám Evropské unie: - 2004/108/CE (Elektromagnetická kompatibilita) - 2006/95/CE (Nízké napětí) - 2012/19/EU

# Údržba a péče

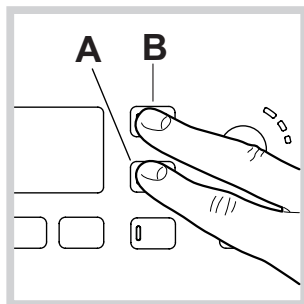
CZ

## Uzavření přívodu vody a vypnutí elektrického napájení

- Po každém praní uzavřete přívod vody. Tímto způsobem dochází k omezení opotřebení pračky a ke snížení nebezpečí úniku vody.
- Před zahájením čištění pračky a během operací údržby vytáhněte zástrčku napájecího kabelu z elektrické zásuvky.

## Čištění pračky

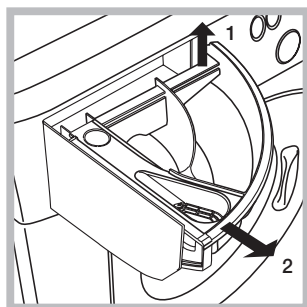
- Vnější části a části z gumy se mohou čistit hadrem navlhčeným ve vlažné vodě a saponátu. Nepoužívejte rozpouštědla ani abrazivní látky.
- Pračka je vybavena programem „Samočištění“ vnitřních částí, který musí být proveden **bez jakéhokoli druhu náplně v bubnu**.



Prací prostředek (množství rovnající se 10% množství doporučeného pro částečně znečištěné prádlo) nebo specifické přídatné prostředky pro čištění pračky budou moci být použity jako

pomocné prostředky v pracím programu. Doporučuje se provést samočisticí program každých 40 cyklů praní. Pro aktivaci programu stiskněte současně tlačítka **A** a **B** na dobu 5 sekund (viz obrázek). Program bude zahájen automaticky a bude trvat přibližně 70 minut. Cyklus je možné ukončit stisknutím tlačítka START/PAUSE.

## Čištění dávkovače pracích prostředků



Vytáhněte dávkovač jeho nadzvednutím a vytažením směrem ven (viz obrázek). Umyjte jej pod proudem vody; tento druh vyčištění je třeba provádět pravidelně.

## Péče o dvířka a bubnu

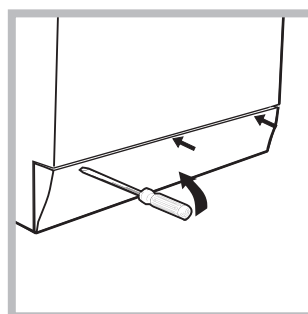
- Dvířka ponechte pokaždé pootevřená, aby se zabránilo tvorbě nepříjemných zápachů.

## Čištění čerpadla

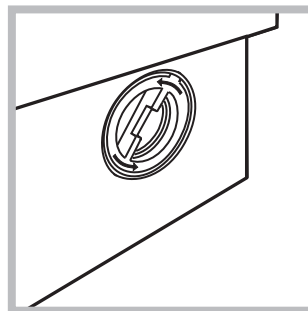
Součástí pračky je samočisticí čerpadlo, které nevyžaduje údržbu. Může se však stát, že se v jeho vstupní části, určené k jeho ochraně a nacházející se v jeho spodní části, zachytí drobné předměty (mince, knoflíky).

**!** Ujistěte se, že byl prací cyklus ukončen, a vytáhněte zástrčku ze zásuvky.

Přístup ke vstupní části čerpadla:



1. pomocí šroubováku odstraňte krycí panel nacházející se v přední části pračky (viz obrázek);



2. Odšroubujte víko jeho otáčením proti směru hodinových ručiček (viz obrázek): vytečení malého množství vody je zcela běžným jevem;

3. dokonale vyčistěte vnitřek;
4. zašroubujte zpět víko;
5. namontujte zpět panel, přičemž se před jeho přisunutím k zařízení ujistěte, že došlo ke správnému zachycení háčků do příslušných podélných otvorů.

## Kontrola přítokové hadice na vodu

Stav přítokové hadice je třeba zkontrolovat alespoň jednou ročně. Jsou-li na ní viditelné praskliny nebo trhliny, je třeba ji vyměnit: silný tlak působící na hadici během pracího cyklu by mohl způsobit její náhlé roztržení.

**!** Nikdy nepoužívejte již použité hadice.

# Opatření a rady

! Pračka byla navržena a vyrobena v souladu s platnými mezinárodními bezpečnostními předpisy. Tato upozornění jsou uváděna z bezpečnostních důvodů a je třeba si je pozorně přečíst.

## Základní bezpečnostní pokyny

- Toto zařízení bylo navrženo výhradně pro použití v domácnosti.
- Toto zařízení mohou používat děti od 8 let a osoby se sníženými fyzickými, sensorickými nebo duševními schopnostmi nebo osoby s nedostatečnými zkušenostmi a znalostmi, když se nacházejí pod náležitým dohledem nebo když byly náležitě vyškoleny ohledně bezpečného použití zařízení a uvědomují si související nebezpečí. Děti si nesmí hrát se zařízením. Děti nesmí provádět operace údržby a čištění bez dohledu.
- Pračku mohou používat pouze dospělé osoby podle pokynů uvedených v tomto návodu.
- Nedotýkejte se zařízení bosí nebo v případě, že máte mokré nebo vlhké ruce či nohy.
- Nevytahujte zástrčku ze zásuvky tahem za kabel, ale uchopením za zástrčku.
- Neotvírejte dávkovač pracích prostředků během činnosti zařízení.
- Nedotýkejte se odčerpávané vody, protože může mít velmi vysokou teplotu.
- Nepokoušejte se o násilné otevření dvířek: mohlo by dojít k poškození bezpečnostního uzávěru, který zabraňuje náhodnému otevření.
- Při výskytu poruchy se v žádném případě nepokoušejte o opravu vnitřních částí zařízení.
- Vždy mějte pod kontrolou děti a zabraňte tomu, aby se přibližovaly k zařízení během pracího cyklu.
- Během pracího cyklu mají dvířka tendenci ohřát se.
- V případě potřeby přemíst'ujte pračku ve dvou nebo ve třech a věnujte celé operaci maximální pozornost. Nikdy se nepokoušejte zařízení přemíst'ovat sami, je totiž velmi těžké.
- Před zahájením vkládání prádla zkontrolujte, zda je buben prázdný.

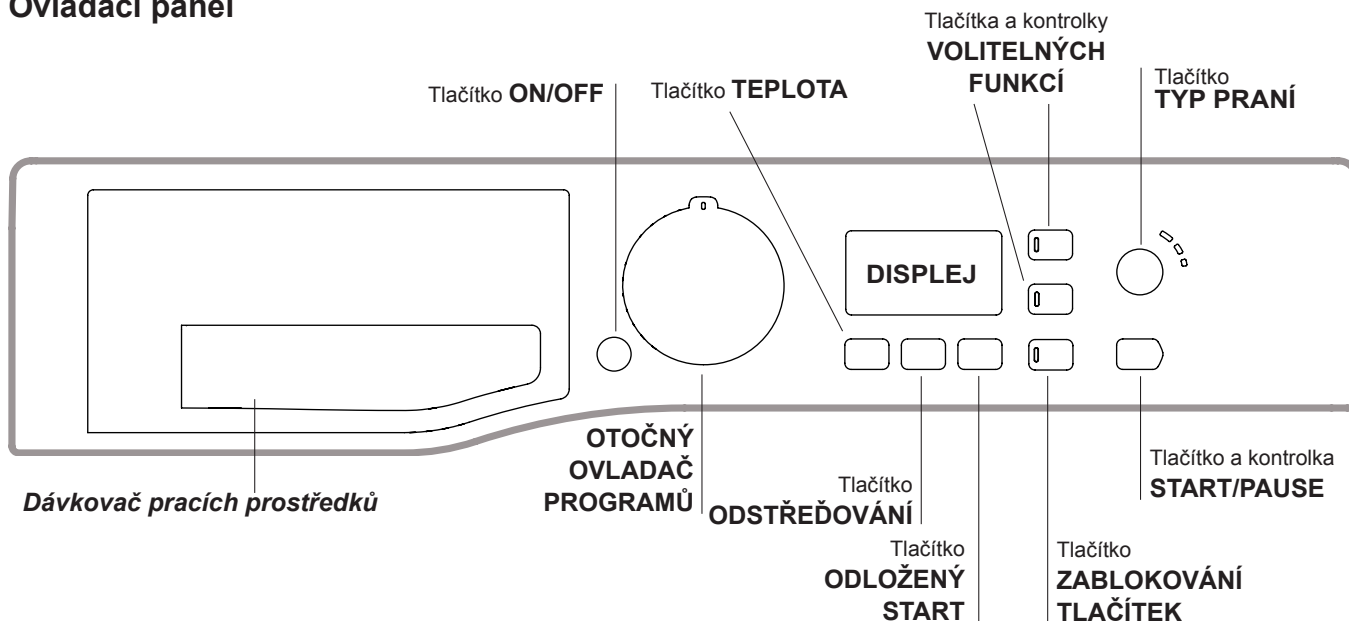
## Likvidace

- Likvidace obalových materiálů:  
při jejich odstranění postupujte v souladu s místním předpisy a dbejte na možnou recyklaci.
- Evropská směrnice 2012/19/EU o odpadu tvořeném elektrickými a elektronickými zařízeními nařizuje, že elektrospotřebiče nesmí být likvidovány v rámci běžného pevného městského odpadu. Vyřazená zařízení musí být shromážděna zvlášť za účelem zvýšení počtu recyklovaných a znovupoužitých materiálů, z nichž jsou složena, a z důvodu zabránění možných ublížení na zdraví a škod na životním prostředí. Symbolem je přeškrtnutý koš, uvedený na všech


výrobci s cílem připomenout povinnosti spojené se separovaným sběrem. Podrobnější informace týkající se správného způsobu vyřazení elektrospotřebičů z provozu mohou jejich držitelé získat tak, že se obrátí na navrženou veřejnou instituci nebo na prodejce.

# Popis pračky

## Ovládací panel





**Dávkač pracích prostředků:** slouží k dávkování pracích prostředků a přídatných prostředků (viz "Prací prostředky a prádlo").


Tlačítko **ON/OFF** : Zapnete nebo vypnete pračku krátkým stisknutím tlačítka. Kontrolka **START/PAUSE** pomalu blikající zeleným světlem poukazuje na to, že je zařízení zapnuté. Za účelem vypnutí pračky během praní je třeba držet tlačítko stisknuté déle, přibližně 3 sek.; krátké nebo náhodné stisknutí neumožní vypnutí pračky. Vypnutí zařízení během praní způsobí zrušení probíhajícího pracího programu.


**OTOČNÝ OVLADAČ PROGRAMŮ:** Slouží k nastavení požadovaného programu (viz "Tabulka programů").


Tlačítka a kontrolky **VOLITELNÝCH FUNKCÍ:** slouží k volbě jednotlivých nabízených volitelných funkcí. Kontrolka zvolené volitelné funkce zůstane rozsvícena.



Tlačítko **TYP PRANÍ** : jeho stisknutím můžete provést volbu požadované intenzity praní.

Tlačítko **TEPLOTA** : Stiskněte za účelem snížení nebo úplného vyloučení teploty; hodnota bude uvedena na displeji.

Tlačítko **ODSTŘEĐOVÁNÍ** : Stiskněte za účelem snížení nebo úplného vyloučení odstřeďování - hodnota bude uvedena na displeji.

Tlačítko **ODLOŽENÝ START** : Jeho stisknutím můžete nastavit odložený start zvoleného programu; doba odložení bude zobrazena na displeji.

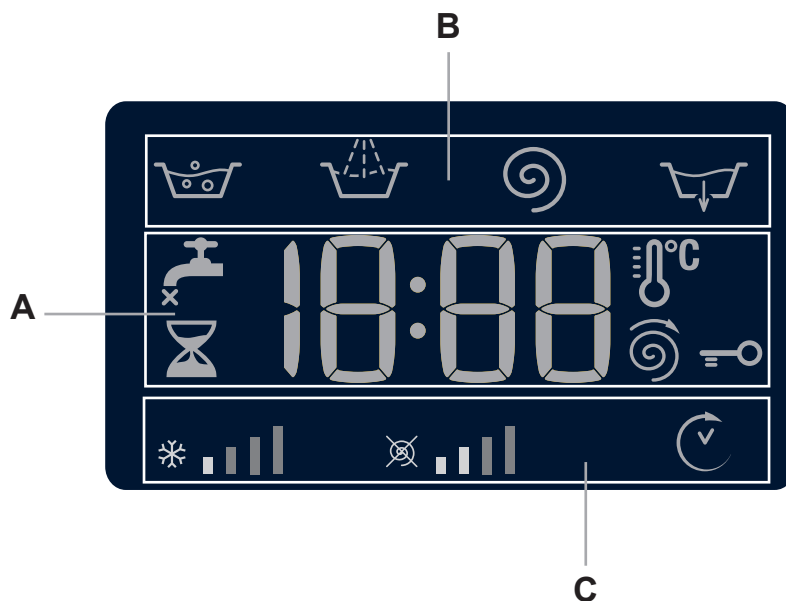
Tlačítko a kontrolka **START/PAUSE:** když zelená kontrolka začne pomalu blikat, stiskněte toto tlačítko pro zahájení praní. Po zahájení cyklu se kontrolka rozsvítí stálým světlem. Přejete-li si přerušit praní, opětovně stiskněte tlačítko; kontrolka bude blikat oranžovým světlem. Když symbol  není rozsvícen, je možné otevřít dvířka (vyčkejte přibližně 3 minuty). Za účelem opětovného zahájení cyklu z místa, v němž byl přerušeno, opětovně stiskněte tlačítko.

Tlačítko **ZABLOKOVÁNÍ TLAČÍTEK** : aktivace zablokování ovládacího panelu se provádí tak, že podržíte stisknuté tlačítko přibližně na 2 sekundy. Rozsvícená kontrolka  poukazuje na to, že je ovládací panel zablokovaný. Tímto způsobem se zamezí náhodným změnám programů (s výjimkou tlačítka **ON/OFF**), zejména když jsou v domácnosti děti. Zrušení zablokování ovládacího panelu se provádí tak, že podržíte stisknuté tlačítko přibližně na 2 sekundy.

### Pohotovostní režim

Za účelem shody s novými předpisy souvisejícími s energetickou úsporou je tato pračka vybavena systémem automatického vypnutí (přechodu do pohotovostního režimu – standby), který je aktivován po uplynutí přibližně 30 minut, když se pračka nepoužívá. Krátce stiskněte tlačítko **ON/OFF** a vyčkejte na obnovení činnosti zařízení.

## Displej



Displej slouží k naprogramování zařízení a poskytuje četné informace.

V části **A** je zobrazována doba trvání různých programů, které jsou k dispozici, a po zahájení cyklu i zbývající doby do jeho ukončení; v případě nastavení ODLOŽENÝ START bude zobrazena doba chybějící do zahájení zvoleného programu.

Kromě toho budou při stisknutí příslušného tlačítka zobrazeny maximální hodnoty rychlosti odstředování a teploty, kterých zařízení může dosáhnout v závislosti na nastaveném programu.

V části **B** jsou zobrazovány “fáze prání”, které jsou součástí zvoleného cyklu, a po zahájení programu také probíhající “fáze prání”:

- Prání
- Máchání
- Odstředování
- Odčerpání vody

V části **C** jsou přítomné ikony - zleva – “teplota”, “odstředování” a “Odložený start”.

Pruhy “odstředování” znázorňují úroveň odstředování vzhledem k maximální nastavitelné hodnotě pro nastavený cyklus.

Pruhy “odstředování” znázorňují úroveň odstředování vzhledem k maximální nastavitelné hodnotě pro nastavený cyklus.

Rozsvícený symbol “odložený start” informuje o tom, že na displeji je zobrazena nastavená hodnota “Odloženého startu”.


### Kontrolka **Zablokovaná dvířka**

Rozsvícený symbol poukazuje na zajištění dvířek. Aby se předešlo poškození, před otevřením dvířek je třeba vyčkat na zhasnutí uvedeného symbolu (vyčkejte přibližně 3 minuty).

Za účelem otevření dvířek v průběhu pracího cyklu stiskněte tlačítko START/PAUSE; když bude symbol ZABLOKOVANÁ DVÍŘKA zhasnutý, bude možné otevřít dvířka (vyčkejte přibližně 3 minuty).




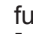
# Jak provést prací cyklus


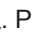
CZ



- 1. ZAPNUTÍ ZAŘÍZENÍ.** Stiskněte tlačítko ; kontrolka START/PAUSE bude pomalu blikat zeleným světlem.
- 2. NAPLNĚTE PRAČKU PRÁDLEM.** Otevřete dvířka s průzorem. Naplňte pračku prádlem a dbejte přitom, aby nedošlo k překročení množství náplně, uvedeného v tabulce programů na následující straně.
- 3. NADÁVKUJTE PRACÍ PROSTŘEDEK.** Vytáhněte dávkovač pracích prostředků a naplňte prací prostředek do příslušných přihrádek způsobem vysvětleným v části "Prací prostředky a prádlo".
- 4. ZAVŘETE DVÍŘKA.**
- 5. ZVOLTE PRACÍ PROGRAM.** Otočným ovladačem PROGRAMŮ zvolte požadovaný program; teplotu a rychlost odstředování, které jsou k programu přiřazeny, je možné měnit. Na displeji se zobrazí doba trvání cyklu.


## 6. NASTAVTE PRACÍ PROGRAM DLE VAŠICH POTŘEB.

Použijte příslušná tlačítka:

  **Změňte teplotu a/nebo odstředování.**  
Zařízení automaticky zobrazuje maximální teplotu a rychlost odstředování pro nastavený program nebo poslední zvolené hodnoty, jsou-li kompatibilní se zvoleným programem. Stisknutím tlačítka  je možné postupně snížit teplotu až po praní ve studené vodě "OFF". Stisknutím tlačítka  je možné postupně snížit rychlost odstředování až po jeho úplné vyloučení "OFF". Další stisknutí tlačítek obnoví nastavení maximálních přednastavených hodnot.  
! Výjimka: při volbě programu 3 bude možné zvýšit teplotu až na 90°C.



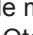
 **Nastavení odloženého startu.**  
Pro nastavení odloženého startu zvoleného programu stiskněte příslušné tlačítko až do dosažení požadované doby odložení. Když je tato volitelná funkce aktivní, na displeji se rozsvítí symbol . Pro zrušení odloženého startu je třeba tisknout tlačítko, dokud se na displeji nezobrazí nápis "OFF".


**Nastavte požadovanou intenzitu praní.**  
Tlačítko  umožňuje provést optimalizaci praní na základě stupně znečištění tkanin a požadované intenzity praní.  
Zvolte program praní; cyklus bude automaticky nastaven na úroveň "Normal" (Normální) a bude provedena jeho optimalizace pro středně znečištěné prádlo (toto nastavení neplatí pro cyklus „Vlna“, který se automaticky nastaví na úroveň "Delicate" [Jemné]).  
Pro značně znečištěné prádlo stiskněte tlačítko , dokud nebude nastavena úroveň "Intensive" (Intenzivní). Tato úroveň zaručuje dokonalé praní díky použití většího množství vody v počáteční fázi cyklu a větší mechanický pohyb a je užitečná pro odstranění nejodolnějších skvrn. Může se používat

s bělicím prostředkem nebo bez něj. Když si přejete provést bělení, vložte přídatnou nádobku 4 z příslušenství do přihrádky 1. Při dávkování bělicího prostředku nepřekračujte úroveň „max“, vyznačenou na středovém čepu (viz obrázek na str. 58).  
Pro mírně znečištěné prádlo nebo pro choulostivější zacházení s látkami stiskněte tlačítko  až po dosažení úrovně "Delicate" (Jemné). Cyklus omezí mechanický pohyb pro zajištění dokonalých výsledků praní u choulostivého prádla.

## Změna vlastností cyklu.

- Stiskněte tlačítka aktivace volitelné funkce; dojde k rozsvícení odpovídající kontrolky tlačítka.
  - Opětovným stisknutím můžete zvolenou volitelnou funkci zrušit; příslušná kontrola zhasne.
- ! V případě, že zvolená volitelná funkce není kompatibilní s nastaveným pracím programem, kontrolka začne blikat a volitelná funkce nebude aktivována.  
! Když zvolená volitelná funkce není kompatibilní s některou z již nastavených volitelných funkcí, kontrolka první zvolené funkce bude blikat a bude aktivována pouze druhá; kontrolka aktivované volitelné funkce se rozsvítí.  
! Volitelné funkce mohou změnit doporučenou náplň a/nebo dobu trvání cyklu.

- 7. SPUSŤTE PROGRAM.** Stiskněte tlačítko START/PAUSE. Příslušná kontrolka se rozsvítí stálým modrým světlem a dojde k zablokování dvířek (rozsvícený symbol ZABLOKOVANÁ DVÍŘKA ). Za účelem změny programu během probíhajícího cyklu přerušte činnost pračky stisknutím tlačítka START/PAUSE (kontrolka START/PAUSE bude pomalu blikat oranžovým světlem); zvolte požadovaný cyklus a znovu stiskněte tlačítko START/PAUSE.  
Za účelem otevření dvířek v průběhu pracího cyklu stiskněte tlačítko START/PAUSE; když bude symbol ZABLOKOVANÁ DVÍŘKA  zhasnutý, bude možné otevřít dvířka (vyčkejte přibližně 3 minuty). Opětovným stisknutím tlačítka START/PAUSE znovu uveďte do činnosti prací program z bodu, ve kterém byl přerušen.
- 8. UKONČENÍ PROGRAMU.** Bude oznámeno zobrazením nápisu "END" na displeji. Po zhasnutí symbolu ZABLOKOVANÁ DVÍŘKA  bude možné otevřít dvířka (vyčkejte přibližně 3 minuty). Otevřete dvířka, vyložte prádlo a vypněte zařízení.

! Přejete-li si zrušit již zahájený cyklus, stiskněte déle tlačítko . Cyklus bude přerušena a dojde k vypnutí zařízení.



# Programy a volitelné funkce

Tabulka programů

Programy	Popis programu	Max. teplota (°C)	Max. rychlost (otáčky za minutu)	Prací prostředky a přídavné prostředky				Max. náplň (kg)	Zbytková vlhkost %	Spotřeba energie kWh	Celkové množství vody lit	Doba trvání cyklu
				Předpírka	Praní	Bélicí prostředek	Aviváž					
1	Odstraňování Skvrn	40°	1000	●	●	-	●	3	-	-	-	180'
2	Bílé prádlo	60°	1000	●	●	-	●	3	-	-	-	190'
3	Standardní programy pro bavlnu 60°(1): Silně znečištěné bílé a barevné prádlo z odolných tkanin.	60° (Max. 90°)	1000	●(3)	●	●	●	5	62	0.83	47.5	200'
4	Standardní programy pro bavlnu 40°(2): Málo znečištěné bílé a barevné prádlo z odolných tkanin.	40°	1000	-	●	●	●	5	62	0.75	48	150'
5	Syntetické: Velmi znečištěné barevné prádlo z odolných tkanin.	60°	800	●	●	●	●	3	46	0.88	38	110'
5	Syntetické (4): Málo znečištěné barevné prádlo z odolných tkanin.	40°	800	●	●	●	●	3	46	0.55	37	95'
6	Protialergické	60°	1000	-	●	●	●	3	-	-	-	185'
7	Dětské Prádlo	40°	1000	●	●	●	●	3	-	-	-	160'
8	Vlna: Pro vlnu, kašmír apod.	40°	800	-	●	-	●	1	-	-	-	70'
9	Choulostivé prádlo	30°	0	-	●	-	●	0.5	-	-	-	75'
10	Rychlé Praní 60': K rychlému oživení mírně znečištěného prádla (nedoporučuje se pro vlnu, hedvábí a prádlo určené pro ruční praní).	60°	1000	-	●	-	●	3.5	62	0.71	35	60'
11	Standardní programy pro bavlnu 20°: Málo znečištěné bílé a barevné prádlo z odolných tkanin.	20°	1000	-	●	●	●	5	-	-	-	230'
12	Bavlna	Studená voda	1000	-	●	-	●	5	62	0.17	53	95'
13	Syntetické	Studená voda	800	-	●	-	●	2.5	49	0.11	37	75'
14	Rychlé Praní 30'	Studená voda	800	-	●	-	●	2.5	71	0.06	30	30'
	Máchání	-	1000	-	-	-	●	5	-	-	-	49'
	Odstředování + Odčerpání vody	-	1000	-	-	-	-	5	-	-	-	16'

Doba trvání cyklu uvedená na displeji nebo v návodu představuje odhad vypočítaný na základě standardních podmínek. Skutečná doba se může měnit v závislosti na četných faktorech, jako je např. teplota a tlak vody na vstupu, teplota prostředí, množství pracího prostředku, množství a druh náplně, vyvážení náplně a zvolené volitelné funkce.

## 1) Kontrolní program podle normy 1061/2010: nastavte program 3 s teplotou 60°C.

Tento cyklus je vhodný pro praní běžně znečištěné bavlny a jedná se o neúčinnější cyklus z hlediska kombinované spotřeby energie a vody určený pro prádlo, které lze prát při teplotě do 60 °C. Skutečná teplota praní se může lišit od uvedeného.

## 2) Kontrolní program podle normy 1061/2010: nastavte program 4 s teplotou 40°C.

Tento cyklus je vhodný pro praní běžně znečištěné bavlny a jedná se o neúčinnější cyklus z hlediska kombinované spotřeby energie a vody určený pro prádlo, které lze prát při teplotě do 40 °C. Skutečná teplota praní se může lišit od uvedeného.

## 3) Při teplotě 60 °C nelze funkci "Předpírka" aktivovat.

Pro všechny Test Institutes:

2) Dlouhý program pro praní bavlny: nastavte program 4 s teplotou 40°C.

4) Dlouhý program pro syntetiku: nastavte program 5 s teplotou 40°C.

## Volitelné funkce praní

### Extra Máchání

Volbou této volitelné funkce se zvýší účinnost máchání a zajistí se maximální stupeň odstranění pracího prostředku.

Je užitečná zejména pro mimořádně citlivé pokožky.

! Nelze ji aktivovat u programů 6, 9, 14, .

### Předpírka

Volbou této funkce dojde k provedení předpírky, užitečné pro odstranění odolných skvrn.

**POZN.:** Přidejte prací prostředek do příslušné přihrádky.

! Nelze ji aktivovat u programů 3 (60°), 4, 6, 8, 9, 10, 11,

12, 13, 14, , .

# Prací prostředky a prádlo

CZ

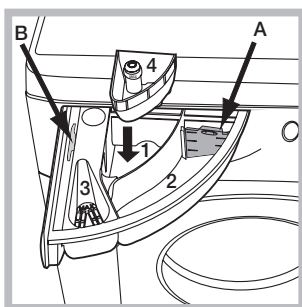
## Dávkač pracích prostředků

Dobry výsledek praní závisí také na správném dávkování pracího prostředku: použití jeho nadměrného množství snižuje efektivitu praní a napomáhá tvorbě vodního kamene na vnitřních částech pračky a zvyšuje znečištění životního prostředí.

! Pro předpírku a praní při teplotě vyšší než 60 °C používejte práškové prací prostředky pro bílé bavlněné prádlo.

! Dodržujte pokyny uvedené na obalu pracího prostředku.

! Nepoužívejte prací prostředky určené pro ruční praní, protože způsobují tvorbu nadměrného množství pěny.



Při vytahování dávkače pracích prostředků a při jeho plnění pracími nebo přidavnými prostředky postupujte následovně.

### Příhrádka 1: Prací prostředek (práškový) pro předpírku

Před naplněním příhrádky pracím prostředkem se ujistěte, že v dávkači není

vložena přídatná příhrádka 4.

### Příhrádka 2: Prací prostředek (v prášku nebo tekutý)

V případě použití tekutého pracího prostředku se doporučuje použít pro správné dávkování malou přepážku **A** z příslušenství. Pro použití práškového pracího prostředku vložte malou přepážku do prohloubeniny **B**.

### Příhrádka 3: Přidavné prostředky (aviváž atd.)

Aviváž nesmí vytékat z mřížky.

### Přidavná příhrádka 4: Bělicí prostředek

## Příprava prádla

- Roztřídte prádlo podle:
  - druhu tkaniny / symbolu na visače.
  - barvy: oddělte barevné prádlo od bílého.
- Vyprázdněte kapsy a zkontrolujte knoflíky.
- Nepřekračujte povolenou náplň, vztahující se na hmotnost suchého prádla: viz "Tabulka programů".

### Kolik váží prádlo?

- 1 prostěradlo 400-500 g
- 1 povlak na polštář 150-200 g
- 1 ubrus 400-500 g
- 1 župan 900-1.200 g
- 1 ručník 150-250 g

## Speciální programy

**Odstraňování Skvrn:** cyklus **1** vhodný pro praní značně znečištěného prádla s odolnými barvami. Tento program zaručuje vyšší třídu praní než standardní třída (třída A). Při použití tohoto programu nemíchejte spolu prádlo různých barev. Doporučuje se použít práškového pracího prostředku. Pro odolné skvrny se doporučuje provést předošetření specifickými přidavnými prostředky.

**Bílé prádlo:** použijte cyklus **2** pro praní bílého prádla. Program je navržen pro dlouhodobé zachování zářivosti bílé barvy.

Pro dosažení nejlepších výsledků se doporučuje použít práškový prací prostředek.


**Protialergické:** použijte program **6** pro odstranění hlavních alergenů, jako jsou pyl, roztoči a kočičí a psí chlupy.

**Dětské Prádlo:** na odstranění typické špíny dětského oblečení použijte příslušný program **7** a řádně odstraňte prací prostředek z prádla, abyste předešli alergickým reakcím jemné dětské pokožky. Tento prací cyklus byl navržen pro snížení množství bakterií s použitím vyššího množství vody a pro optimalizaci účinku specifických hygienických přísad, přidaných k pracímu prostředku.

**Vlna:** Prací cyklus „Vlna“ této pračky Hotpoint-Ariston byl testován a schválen společností Woolmark Company pro praní prádla z vlny, které je klasifikováno jako „prádlo určené pro ruční praní“, za podmínky, že bude praní provedeno v souladu s pokyny uvedenými na visače oblečení a s pokyny dodanými výrobcem elektrického spotřebiče. Hotpoint-Ariston je první značkou praček, která získala od společnosti Woolmark Company certifikát Woolmark Apparel Care - Platinum za svou výkonnost při praní a spotřebu vody a energie.



**Choulostivé prádlo:** pro praní velmi choulostivého prádla, které obsahuje aplikace, jako je štras nebo pajetky, použijte program **9**.

Pro praní **hedvábného** prádla a **záclon** zvolte cyklus **9** a nastavte úroveň "Delicate" (Jemné) volitelné funkce . Doporučuje se prádlo před praním převrátit naruby a vložit malé kusy prádla do příslušného sáčku pro praní choulostivého prádla.

Pro dosažení nejlepších výsledků se doporučuje použít tekutý prací prostředek pro choulostivé prádlo.

### Eko programy

Programy Eko nabízejí dobrou výkonnost praní při nízkých teplotách, přičemž umožňují nižší použití elektrické energie s výhodami pro životní prostředí i pro finanční úsporu.

Programy Eco (**12** Bavlna, **13** Syntetické a **14** Rychlé praní 30') byly vytvořeny pro různé druhy tkanin a pro mírně znečištěné prádlo. Pro zajištění optimálního výsledku doporučujeme použít tekutý prací prostředek; doporučuje se předběžně ošetřit manžety, límce a skvrny.

**Standardní programy pro bavlnu 20°** ideální pro náplně ze znečištěné bavlny. Dobrá výkonnost i za studena, srovnatelná s praním při 40 °C, je zaručena mechanickým působením, které je založeno na změně rychlosti v krátkých nebo dlouhých intervalech.

### Systém automatického vyvážení náplně

Před každým odstředováním buben provede otáčení rychlostí lehce převyšující rychlost praní, aby se odstranily vibrace a aby se náplň rovnoměrně rozložila. V případě, že po několiknásobných pokusech o vyvážení prádlo ještě nebude správně vyváženo, zařízení provede odstředování nižší rychlostí, než je přednastavená rychlost. Při nadměrném nevyvážení pračka provede namísto odstředování vyvážení. Pro dosažení rovnoměrnějšího rozložení náplně a jejího správného vyvážení se doporučuje míchat velké a malé kusy prádla.

# Poruchy a způsob jejich odstranění

Může se stát, že pračka nebude fungovat. Dříve, než zatelefonujete na Servisní službu (viz "Servisní služba"), zkontrolujte, zda se nejedná o problém, který lze snadno vyřešit s pomocí následujícího seznamu.

## Poruchy:

## Možné příčiny / Způsob jejich odstranění:

### Pračku nelze zapnout.

- Zástrčka není zasunuta v zásuvce nebo není zasunuta natolik, aby došlo ke spojení kontaktů.
- V celém domě je vypnutý proud.

### Nedochází k zahájení pracovního cyklu.

- Nejsou řádně zavřená dvířka.
- Nebylo stisknuto tlačítko ON/OFF.
- Nebylo stisknuto tlačítko START/PAUSE.
- Nebyl otevřen kohout přívodu vody.
- Byla nastavena doba opoždění startu.

### Nedochází k napouštění vody do pračky (na displeji je zobrazen blikající nápis "H2O").

- Přívodní hadice není připojena k vodovodnímu kohoutu.
- Hadice je příliš ohnutá.
- Nebyl otevřen kohout přívodu vody.
- V celém domě je uzavřený přívod vody.
- V rozvodu vody není dostatečný tlak.
- Nebylo stisknuto tlačítko START/PAUSE.

### Dochází k nepřetržitému napouštění a odčerpávání vody.

- Vypouštěcí hadice se nachází mimo určené rozmezí od 65 do 100 cm nad zemí (viz "Instalace").
- Koncová část vypouštěcí hadice je ponořena ve vodě (viz "Instalace").
- Odpad ve stěně není vybaven odvodušňovacím otvorem.

Když ani po uvedených kontrolách nedojde k odstranění problému, uzavřete přívod vody, vypněte pračku a přivolejte Servisní službu. V případě, že se byt nachází na jednom z nejvyšších poschodí, je možné, že dochází k sifonovému efektu, jehož následkem pračka nepřetržitě napouští a odčerpává vodu. Pro odstranění uvedeného efektu jsou v prodeji běžně dostupné speciální protisifonové ventily.

### Nedochází k vyčerpání vody nebo k odstředování.

- Odčerpání vody tvoří součást nastaveného programu: u některých programů je potřebné jejich manuální uvedení do činnosti.
- Vypouštěcí hadice je ohnutá (viz "Instalace").
- Odpadové potrubí je ucpané.

### Během odstředování je možné pozorovat silné vibrace pračky.

- Během instalace nebyl buben odjištěn předepsaným způsobem (viz "Instalace").
- Pračka není dokonale vyrovnaná do vodorovné polohy (viz "Instalace").
- Pračka je stlačena mezi nábytkem a stěnou (viz "Instalace").

### Dochází k úniku vody z pračky.

- Přítoková hadice není správně zašroubována (viz "Instalace").
- Dávkovač pracích prostředků je ucpan (způsob jeho vyčištění je uveden v části "Údržba a péče").
- Vypouštěcí hadice není upevněna předepsaným způsobem (viz "Instalace").

### Kontrolky "Volitelné funkce" a kontrolka "START/PAUSE" blikají a na displeji je zobrazen kód poruchy (např.: F-01, F-..).

- Vypněte zařízení a vytáhněte zástrčku ze zásuvky, vyčkejte přibližně 1 minutu a zařízení znovu zapněte.
- Když porucha přetrvává, obraťte se na servisní službu.

### Dochází k tvorbě nadměrného množství pěny.

- Použitý prací prostředek není vhodný pro použití v automatické pračce (musí obsahovat označení "pro praní v pračce", "pro ruční praní nebo pro praní v pračce" nebo podobné označení).
- Bylo použito nadměrné množství pracího prostředku.

# Servisní služba

CZ

## Před přivoláním Servisní služby:

- Zkontrolujte, zda nejste schopni poruchu odstranit sami (viz *“Poruchy a způsob jejich odstranění”*);
- Znovu uveďte do chodu prací program, abyste ověřili, zda byla porucha odstraněna;
- V záporném případě se obraťte na středisko servisní služby.

! Nikdy se neobracejte s žádostí o pomoc na techniky, kteří nejsou k výkonu této činnosti oprávněni.

## Při hlášení poruchy uveďte:

- druh poruchy;
- model zařízení (Mod.);
- výrobní číslo (S/N).

Tyto informace jsou uvedeny na štítku aplikovaném na zadní části pračky a v její přední části, dostupné po otevření dvířek.

## NAŘÍZENÍ KOMISE V PŘENESENÉ PRÁVOMOCI (EU) č. 1061/2010

Značka	HOTPOINT/ARISTON
Model	WMUG 501 EU
Jmenovitá kapacita bavlněné látky v kg	5,0
Třída energetické účinnosti na stupnici A+++ (nejnižší spotřeba) až G (vysoká spotřeba)	A+
Roční spotřeba energie v kWh <sup>1)</sup>	163,0
Spotřeba energie standardního programu pro bavlnu pro praní při 60 °C s celou náplní v kWh <sup>2)</sup>	0,834
Spotřeba energie standardního programu pro bavlnu pro praní při 60 °C s poloviční náplní v kWh <sup>2)</sup>	0,625
Spotřeba energie standardního programu pro bavlnu pro praní při 40 °C s poloviční náplní v kWh <sup>2)</sup>	0,578
Vážená spotřeba energie ve vypnutém stavu ve W	0,5
Vážená spotřeba energie v režimu ponechání v zapnutém stavu ve W	8,0
Roční spotřeba vody v litrech <sup>3)</sup>	9733
Třída účinnosti sušení odstřeďováním na stupnici od G (nejmenší účinnost) do A (nejvyšší účinnost)	C
Maximální otáčky při odstřeďování <sup>4)</sup>	1000
Zbytkový obsah vlhkosti v % <sup>5)</sup>	62%
Trvání „standardního programu pro bavlnu pro praní při 60 °C“ s celou náplní v minutách.	200
Trvání „standardního programu pro bavlnu pro praní při 60 °C“ s poloviční náplní v minutách.	150
Trvání „standardního programu pro bavlnu pro praní při 40 °C“ s poloviční náplní v minutách.	145
Trvání režimu ponechání v zapnutém stavu v minutách	30
Emise hluku v dB(A) re 1 pW během praní <sup>6)</sup>	0
Emise hluku v dB(A) re 1 pW během odstřeďování <sup>6)</sup>	0

<sup>1)</sup> Standardní program pro bavlnu pro praní při 60 °C s celou náplní a poloviční náplní a standardní program pro bavlnu pro praní při 40 °C s poloviční náplní jsou standardní prací programy, na které se vztahují informace uvedené na energetickém štítku a v informačním listu. Tyto programy jsou vhodné pro praní běžně znečištěného bavlněného prádla a jedná se o neúčinnější programy z hlediska kombinované spotřeby energie a vody.

<sup>2)</sup> Na základě 220 standardních pracích cyklů s programy pro bavlnu pro praní při 60 °C a 40 °C s celou a poloviční náplní a spotřeba v režimech s nízkou spotřebou energie. Skutečná spotřeba energie bude záviset na tom, jak je spotřebič používán.

<sup>3)</sup> Na základě 220 standardních pracích cyklů s programy pro bavlnu pro praní při 60 °C a 40 °C s celou a poloviční náplní. Skutečná spotřeba vody bude záviset na tom, jak je spotřebič používán.

<sup>4)</sup> U standardního programu pro bavlnu pro praní při 60 °C s celou náplní nebo u standardního programu pro bavlnu pro praní při 40 °C s poloviční náplní podle toho, která hodnota je menší.

<sup>5)</sup> U standardního programu pro bavlnu pro praní při 60 °C s celou náplní nebo u standardního programu pro bavlnu pro praní při 40 °C s poloviční náplní podle toho, která hodnota je větší.

<sup>6)</sup> Během fází praní a odstřeďování u standardního programu pro bavlnu pro praní při 60 °C s celou náplní.

FR

Français

WMUG 501

## Sommaire

### Installation, 62-63

Déballage et mise à niveau  
Raccordements eau et électricité  
Premier cycle de lavage  
Caractéristiques techniques

### Entretien et soin, 64

Coupure de l'arrivée d'eau et du courant  
Nettoyage du lave-linge  
Nettoyage du tiroir à produits lessiviels  
Entretien du hublot et du tambour  
Nettoyage de la pompe  
Contrôle du tuyau d'arrivée de l'eau

### Précautions et conseils, 65

Sécurité générale  
Mise au rebut

### Description du lave-linge, 66-67

Bandeau de commandes  
Écran

### Comment faire un cycle de lavage, 68

### Programmes et options, 69

Tableau des programmes  
Options de lavage

### Produits lessiviels et linge, 70

Tiroir à produits lessiviels  
Triage du linge  
Programmes spéciaux

### Anomalies et remèdes, 71

### Assistance, 72

 **Hotpoint**  
ARISTON

# Installation

FR

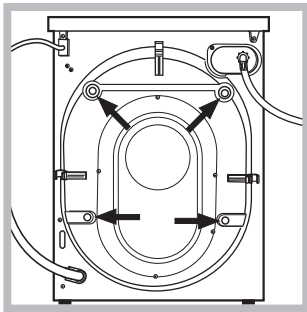
! Conserver ce mode d'emploi pour pouvoir le consulter à tout moment. En cas de vente, de cession ou de déménagement, veiller à ce qu'il suive toujours le lave-linge pour que son nouveau propriétaire soit informé sur son mode de fonctionnement et puisse profiter des conseils correspondants.

! Lire attentivement les instructions: elles fournissent des conseils importants sur l'installation, l'utilisation et la sécurité de l'appareil.

## Déballage et mise à niveau

### Déballage

1. Déballer le lave-linge.
2. Contrôler que le lave-linge n'a pas été endommagé pendant le transport. S'il est abîmé, ne pas le raccorder et contacter le vendeur.



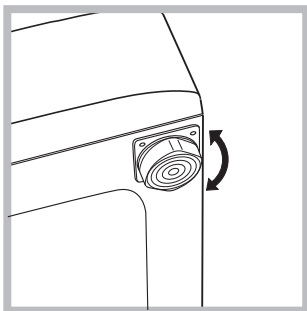
3. Enlever les 4 vis de protection servant au transport, le caoutchouc et la cale, placés dans la partie arrière (voir figure).

4. Boucher les trous à l'aide des bouchons plastiques fournis.
5. Conserver toutes ces pièces: il faudra les remonter en cas de transport du lave-linge.

! Les pièces d'emballage ne sont pas des jouets pour enfants.

### Mise à niveau

1. Installer le lave-linge sur un sol plat et rigide, sans l'appuyer contre des murs, des meubles ou autre.

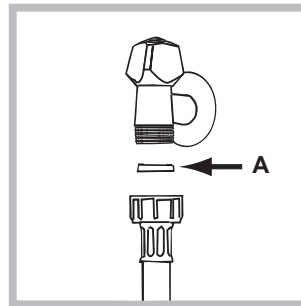


2. Si le sol n'est pas parfaitement horizontal, visser ou dévisser les pieds de réglage avant (voir figure) pour niveler l'appareil; son angle d'inclinaison, mesuré sur le plan de travail, ne doit pas dépasser 2°.

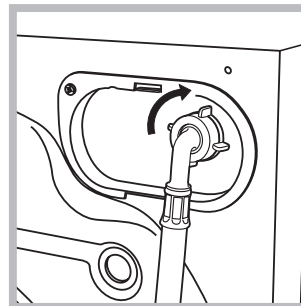
Une bonne mise à niveau garantit la stabilité de l'appareil et évite qu'il y ait des vibrations, du bruit et des déplacements en cours de fonctionnement. Si la machine est posée sur de la moquette ou un tapis, régler les pieds de manière à ce qu'il y ait suffisamment d'espace pour assurer une bonne ventilation.

## Raccordements eau et électricité

### Raccordement du tuyau d'arrivée de l'eau



1. Montez le joint A sur l'extrémité du tuyau d'alimentation et vissez-le à un robinet d'eau froide à embout fileté 3/4 gaz (voir figure). Faites couler l'eau jusqu'à ce qu'elle soit limpide et sans impuretés avant de raccorder.



2. Raccorder le tuyau d'arrivée de l'eau au lave-linge en le vissant à la prise d'eau prévue, dans la partie arrière en haut à droite (voir figure).

3. Attention à ce que le tuyau ne soit pas plié ou écrasé.

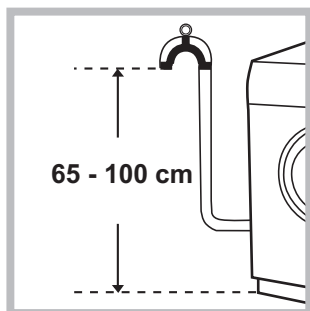
! La pression de l'eau doit être comprise entre les valeurs indiquées dans le tableau des Caractéristiques techniques (voir page ci-contre).

! Si la longueur du tuyau d'alimentation ne suffit pas, s'adresser à un magasin spécialisé ou à un technicien agréé.

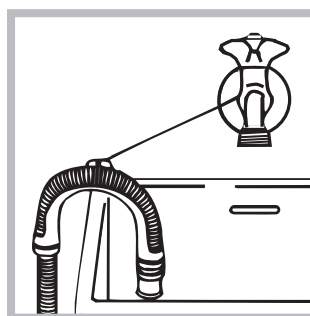
! N'utiliser que des tuyaux neufs.

! Utiliser ceux qui sont fournis avec l'appareil.

## Raccordement du tuyau de vidange



Raccorder le tuyau d'évacuation, sans le plier, à un conduit d'évacuation ou à une évacuation murale placés à une distance du sol comprise entre 65 et 100 cm ;



ou bien l'accrocher à un évier ou à une baignoire, dans ce cas, fixer le support en plastique fourni avec l'appareil au robinet (voir figure). L'extrémité libre du tuyau d'évacuation ne doit pas être plongée dans l'eau.

! L'utilisation d'un tuyau de rallonge est absolument déconseillée mais si on ne peut faire autrement, il faut absolument qu'il ait le même diamètre que le tuyau original et sa longueur ne doit pas dépasser 150 cm.

## Raccordement électrique

Avant de brancher la fiche dans la prise de courant, s'assurer que :

- la prise est bien reliée à la terre et est conforme aux réglementations en vigueur;
- la prise est bien apte à supporter la puissance maximale de l'appareil indiquée dans le tableau des Caractéristiques techniques (voir ci-contre);
- la tension d'alimentation est bien comprise entre les valeurs figurant dans le tableau des Caractéristiques techniques (voir ci-contre);
- la prise est bien compatible avec la fiche du lave-linge. Autrement, remplacer la prise ou la fiche.

! Le lave-linge ne doit pas être installé dehors, même à l'abri, car il est très dangereux de le laisser exposé à la pluie et aux orages.

! Après installation du lave-linge, la prise de courant doit être facilement accessible.

! N'utiliser ni rallonges ni prises multiples.



- ! Le câble ne doit être ni plié ni trop écrasé.
- ! Le câble d'alimentation ne doit être remplacé que par des techniciens agréés.

Attention! Nous déclinons toute responsabilité en cas de non-respect des normes énumérées ci-dessus.

## Premier cycle de lavage

Avant la première mise en service de l'appareil, effectuer un cycle de lavage avec un produit lessiviel mais sans linge et sélectionner le programme «Auto nettoyage» (voir «Nettoyage du lave-linge»).

### Caractéristiques techniques

<b>Modèle</b>	WMUG 501
<b>Dimensions</b>	largeur 59,5 cm hauteur 85 cm profondeur 34,8 cm
<b>Capacité</b>	de 1 à 5 kg
<b>Raccorde-ments élec-triques</b>	Voir la plaque signalétique appliquée sur la machine
<b>Raccor-dements hydrauliques</b>	pression maximale 1 MPa (10 bar) pression minimale 0,05 MPa (0,5 bar) capacité du tambour 34 litres
<b>Vitesse d'essorage</b>	jusqu'à 1000 tours minute
<b>Programmes de contrôle selon les directives 1061/2010 1015/2010</b>	programme 3; Coton standard 60°C. programme 4; Coton standard à 40 °C.
 	Cet appareil est conforme aux Directives Communautaires suivantes: - 2004/108/CE (Compatibilité électromagnétique) - 2012/19/EU - 2006/95/CE (Basse Tension)

# Entretien et soin

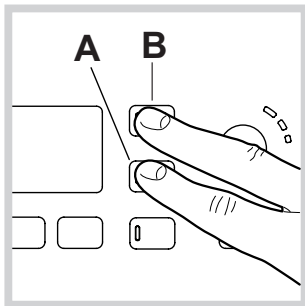
FR

## Coupure de l'arrivée d'eau et du courant

- Fermer le robinet de l'eau après chaque lavage. Cela réduit l'usure de l'installation hydraulique du lave-linge et évite tout danger de fuites.
- Débrancher la fiche de la prise de courant lors de tout nettoyage du lave-linge et pendant tous les travaux d'entretien.

## Nettoyage du lave-linge

- Pour nettoyer l'extérieur et les parties en caoutchouc, utiliser un chiffon imbibé d'eau tiède et de savon. N'utiliser ni solvants ni abrasifs.
- Ce lave-linge est équipé d'un programme «Auto nettoyage» des parties internes qui doit être effectué **tambour complètement vide**.



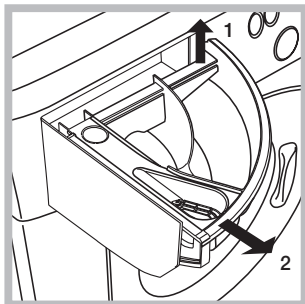
La lessive (dans une quantité égale à 10% de celle conseillée pour du linge peu sale) ou les additifs spéciaux pour le nettoyage du lave-linge, pourront être utilisés comme adjuvants dans le programme

de lavage. Il est conseillé d'effectuer le programme de nettoyage tous les 40 cycles de lavage.

Pour activer le programme, appuyer simultanément sur les touches **A** et **B** pendant 5 secondes (voir figure).

Le programme démarrera automatiquement et durera environ 70 minutes. Pour stopper le cycle, appuyer sur la touche START/PAUSE.

## Nettoyage du tiroir à produits lessiviels.



Soulever le tiroir et le tirer vers soi pour le sortir de son logement (voir figure).

Le laver à l'eau courante; effectuer cette opération assez souvent.

## Entretien du hublot et du tambour

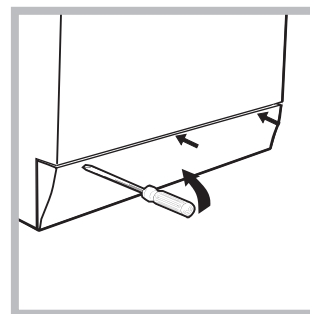
- Il faut toujours laisser le hublot entrouvert pour éviter la formation de mauvaises odeurs.

## Nettoyage de la pompe

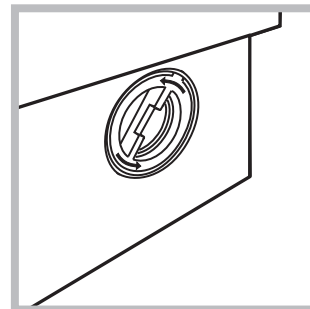
Le lave-linge est équipé d'une pompe autonettoyante qui n'exige aucune opération d'entretien. Il peut toutefois arriver que de menus objets (pièces de monnaie, boutons) tombent dans la préchambre qui protège la pompe, placée en bas de cette dernière.

! S'assurer que le cycle de lavage est bien terminé et débrancher la fiche.

Pour accéder à cette préchambre:



1. démonter le panneau situé à l'avant du lave-linge à l'aide d'un tournevis (voir figure);



2. dévisser le couvercle en le tournant dans le sens inverse des aiguilles d'une montre (voir figure): il est normal qu'un peu d'eau s'écoule;

3. nettoyer soigneusement l'intérieur;
4. revisser le couvercle;
5. remonter le panneau en veillant à bien enfiler les crochets dans les fentes prévues avant de le pousser contre l'appareil.

## Contrôle du tuyau d'arrivée de l'eau

Contrôler le tuyau d'alimentation au moins une fois par an. Procéder à son remplacement en cas de craquements et de fissures: car les fortes pressions subies pendant le lavage pourraient provoquer des cassures.

! N'utiliser que des tuyaux neufs.



# Précautions et conseils

! Ce lave-linge a été conçu et fabriqué conformément aux normes internationales de sécurité. Ces consignes sont fournies pour des raisons de sécurité, il faut les lire attentivement.

ou leur revendeur concernant la démarche à suivre pour l'enlèvement de leur vieil appareil.

FR

## Sécurité générale

- Cet appareil est conçu pour un usage domestique.
- Cet appareil peut être utilisé par les enfants à partir de 8 ans et par les personnes dont les capacités physiques, sensorielles ou mentales sont réduites ou qui ne disposent pas des connaissances suffisantes, à condition qu'ils soient encadrés ou aient été formés de façon appropriée pour l'utilisation de l'appareil de façon sûre et en comprenant les dangers qui y sont liés. Les enfants ne doivent pas jouer avec l'appareil. L'entretien et le nettoyage ne doivent pas être effectués par les enfants sans surveillance.
- Ne jamais toucher l'appareil si l'on est pieds nus et si les mains sont mouillées ou humides.
- Ne jamais tirer sur le câble pour débrancher la fiche de la prise de courant.
- Ne pas ouvrir le tiroir à produits lessiviels si la machine est branchée.
- Ne pas toucher à l'eau de vidange, elle peut atteindre des températures très élevées.
- Ne pas forcer pour ouvrir le hublot: le verrouillage de sécurité qui protège contre les ouvertures accidentelles pourrait s'endommager.
- En cas de panne, éviter à tout prix d'accéder aux mécanismes internes pour tenter une réparation.
- Veiller à ce que les enfants ne s'approchent pas de l'appareil pendant son fonctionnement.
- Pendant le lavage, le hublot a tendance à se réchauffer.
- Deux ou trois personnes sont nécessaires pour déplacer l'appareil avec toutes les précautions nécessaires. Ne jamais le déplacer tout seul car il est très lourd.
- Avant d'introduire le linge, s'assurer que le tambour est bien vide.

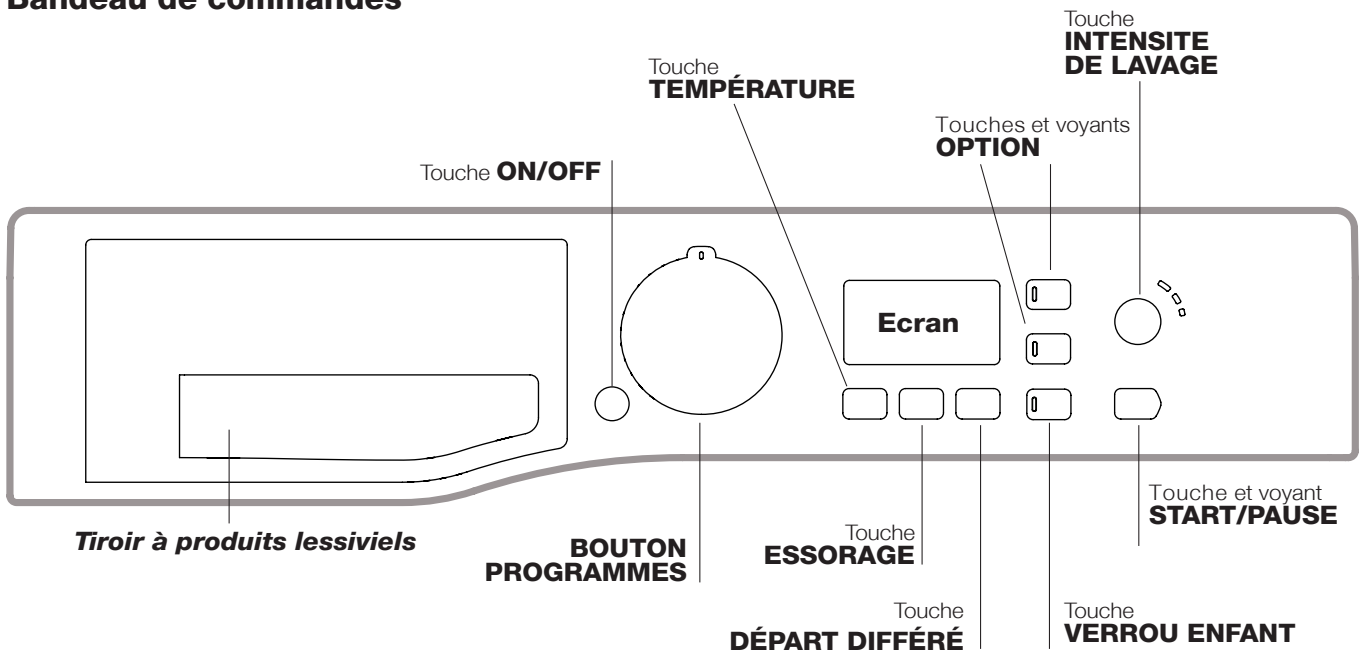
## Mise au rebut

- Mise au rebut du matériel d'emballage: se conformer aux réglementations locales de manière à ce que les emballages puissent être recyclés.
- La Directive Européenne 2012/19/EU sur les Déchets des Equipements Electriques et Electroniques, exige que les appareils ménagers usagés ne soient pas jetés dans le flux normal des déchets municipaux. Les appareils usagés doivent être collectés séparément afin d'optimiser le taux de récupération et le recyclage des matériaux qui les composent et réduire l'impact sur la santé humaine et l'environnement. Le symbole de la "poubelle barrée" est apposée sur tous les produits pour rappeler les obligations de collecte séparée. Les consommateurs devront contacter les autorités locales


# Description du lave-linge

FR

## Bandeau de commandes



**Tiroir à produits lessiviels** : pour charger les produits lessiviels et les additifs (voir "Produits lessiviels et linge").


Touche **ON/OFF**  : appuyer brièvement sur la touche pour allumer ou éteindre l'appareil. Le voyant vert START/PAUSE clignotant lentement indique que la machine est allumée. Pour éteindre le lave-linge en cours de lavage, appuyer sur la touche pendant au moins 3 secondes de suite ; une pression brève ou accidentelle n'entraîne pas l'arrêt de l'appareil. L'arrêt de l'appareil pendant un lavage annule le lavage en cours.


**BOUTON PROGRAMMES** : pour sélectionner le programme désiré (voir "Tableau des programmes").


Touches et voyants **OPTION** : pour sélectionner les options disponibles. Le voyant correspondant à l'option sélectionnée restera allumé.


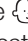
Touche **INTENSITE DE LAVAGE**  : appuyer pour sélectionner l'intensité de lavage désirée.

Touche **TEMPÉRATURE**  : appuyer sur cette touche pour diminuer la température ou pour l'exclure complètement. La valeur correspondante s'affiche à l'écran.

Touche **ESSORAGE**  : appuyer sur cette touche pour diminuer la vitesse de l'essorage ou pour l'exclure complètement. La valeur correspondante s'affiche à l'écran.

Touche **DÉPART DIFFÉRÉ**  : appuyer pour sélectionner un départ différé pour le programme choisi. Le retard est affiché à l'écran.

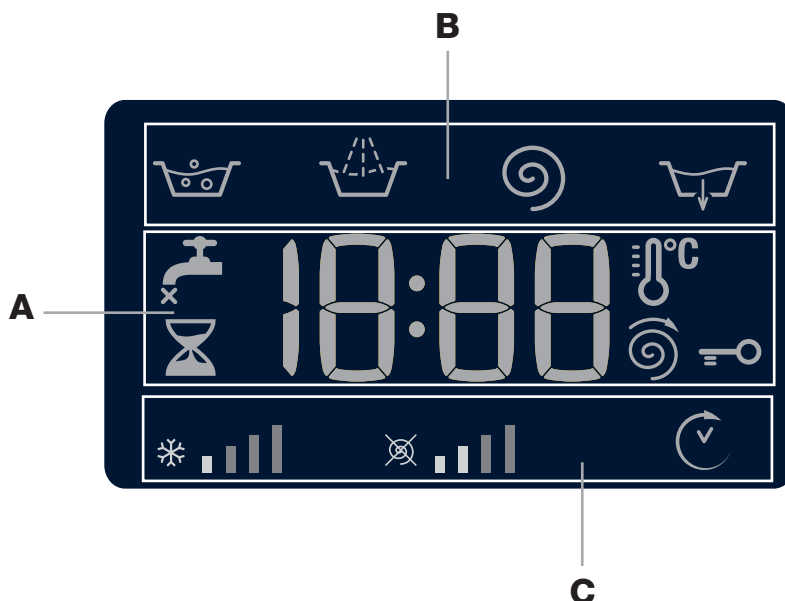
Touche avec voyant **START/PAUSE** : quand le voyant vert clignote lentement, appuyer sur la touche pour démarrer un lavage. Une fois le cycle lancé, le voyant passe à l'allumage fixe. Pour activer une pause de lavage, appuyer à nouveau sur la touche ; le voyant passe à l'orange et se met à clignoter. Si le symbole  n'est pas allumé, il est possible d'ouvrir le hublot (3 minutes environ). Pour faire redémarrer le lavage exactement à l'endroit de l'arrêt, appuyer une nouvelle fois sur la touche.

Touche **VERROU ENFANT**  : pour **activer** le verrouillage des commandes, garder la touche enfoncée pendant environ 2 secondes. Le symbole  allumé indique que le bandeau de commandes est verrouillé. Ceci permet d'éviter toute modification involontaire des programmes (exception faite de la touche ON/OFF), surtout s'il y a des enfants à la maison. Pour **désactiver** le verrouillage des commandes, garder la touche enfoncée pendant environ 2 secondes.

### Stand-by

Ce lave-linge, conformément aux nouvelles normes en vigueur dans le domaine de l'économie d'énergie, est équipée d'un système d'extinction automatique (veille) activé après 30 environ minutes d'inutilisation. Appuyez brièvement sur la touche ON-OFF et attendre que la machine soit réactivée.

## Ecran



L'écran est utile pour programmer la machine et fournit de multiples renseignements.

La section **A** affiche la durée des différents programmes disponibles et, une fois le cycle lancé, le temps restant jusqu'à la fin du programme ; si un DÉPART DIFFÉRÉ a été sélectionné, le temps restant avant le démarrage du programme sélectionné est affiché.


De plus, en appuyant sur la touche correspondante, il y a affichage des valeurs maximales de la vitesse d'essorage et de la température que la machine peut effectuer en fonction du programme sélectionné ou des dernières valeurs sélectionnées si ces dernières sont compatibles avec le programme sélectionné.

La section **B** affiche les "phases de lavage" prévues pour le cycle sélectionné et, une fois le programme lancé, la "phase de lavage" en cours :

-  Lavage
-  Rinçage
-  Essorage
-  Vidange

La section **C** contient, en partant de gauche, les icônes correspondant à la "température", à "l'essorage" et au "Départ différé".


Les barres "température"  indiquent le niveau de température correspondant au niveau maximum programmable pour le cycle sélectionné.

Les barres "essorage"  indiquent le niveau d'essorage correspondant au niveau maximum programmable pour le cycle sélectionné.

Le symbole "DÉPART DIFFÉRÉ"  s'éclaire pour signaler que l'écran est en train d'afficher le "Départ différé" sélectionné.

### Voyant **HUBLLOT VERROUILLÉ**

Le symbole allumé indique que le hublot est verrouillé. Pour éviter d'abîmer l'appareil, attendre que le symbole s'éteigne avant d'ouvrir le hublot (3 minutes environ).

Pour ouvrir la porte tandis qu'un cycle est en cours, appuyer sur la touche START/PAUSE; si le symbole HUBLLOT VERROUILLÉ  est éteint, on peut ouvrir le hublot (3 minutes environ).

# Comment faire un cycle de lavage

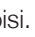

FR

- 1. METTRE L'APPAREIL SOUS TENSION.** Appuyer sur la touche ; le voyant de START/PAUSE passe au vert et clignote lentement.
- 2. CHARGER LE LINGE.** Ouvrir la porte hublot. Charger le linge en faisant attention à ne pas dépasser la quantité indiquée dans le tableau des programmes de la page suivante.
- 3. DOSER LE PRODUIT LESSIVIEL.** Sortir le tiroir et placer le produit lessiviel dans les bacs correspondants comme indiqué au paragraphe "Produits lessiviels et linge".
- 4. FERMER LE HUBLOT.**
- 5. CHOISIR LE PROGRAMME.** Sélectionner à l'aide du bouton PROGRAMMES le programme voulu; une température et une vitesse d'essorage pouvant être modifiées sont associées à ce dernier. La durée du cycle s'affiche sur l'écran.

## 6. PERSONNALISER LE CYCLE DE LAVAGE.


Appuyer sur les touches correspondantes :

### **Modifier la température et/ou l'essorage.**


L'appareil affiche automatiquement la température et l'essorage maximum prévus pour le programme sélectionné ou ceux qui ont été sélectionnés en dernier s'ils sont compatibles avec le programme choisi. Par pression sur la touche  on peut diminuer progressivement la température de lavage jusqu'à un lavage à froid "OFF". Par pression sur la touche  on peut diminuer progressivement la vitesse d'essorage jusqu'à sa suppression totale "OFF". Une autre pression sur les touches ramènera les valeurs aux maximales prévues.

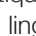
! Exception: lors de la sélection du programme 3 la température peut être augmentée jusqu'à 90°.

### **Sélectionner un départ différé.**

Pour programmer le départ différé d'un programme sélectionné, appuyer sur la touche correspondante jusqu'à ce que le retard désiré soit atteint. Quand cette option est activée, le symbole  s'éclaire sur l'écran. Pour supprimer le départ différé, appuyer sur la touche jusqu'à ce que l'écran affiche "OFF".

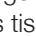
### **Programmer l'intensité de lavage désirée.**

L'option  permet d'optimiser le lavage selon le degré de salissure des tissus et l'intensité de lavage désirée. Sélectionner le programme de lavage, le cycle se place automatiquement sur le niveau «Normal» optimisé pour du linge moyennement sale, (cette sélection n'est pas acceptée pour le cycle «Laine», qui se règle automatiquement sur le niveau «Delicate»).

Pour du linge très sale, appuyer sur la touche  jusqu'à ce que le niveau «Intensive» soit atteint. Ce niveau permet d'obtenir un lavage très performant car

l'utilisation d'une plus grande quantité d'eau au cours de la phase initiale du cycle et un brassage mécanique plus intense permettent d'éliminer les taches les plus difficiles; possibilité d'utilisation **avec** ou **sans** eau de Javel.

Pour traiter le linge avec de l'eau de Javel, ajouter le bac supplémentaire **4** fourni avec l'appareil à l'intérieur du bac **1**. Au moment de verser l'eau de Javel, attention à ne pas dépasser le niveau «max» indiqué sur le pivot central (voir figure page 70).

Pour du linge peu sale ou pour un traitement plus délicat des tissus, appuyer sur la touche  jusqu'à ce que le niveau «Delicate» soit atteint. Ce cycle réduira le brassage mécanique pour assurer des résultats de lavage parfaits du linge délicat.



### **Modifier les caractéristiques du cycle.**


- Appuyer sur la touche pour activer l'option ; le voyant correspondant à la touche s'allume.
- Appuyer une nouvelle fois sur la touche pour désactiver l'option; le voyant s'éteint.


! Si l'option sélectionnée est incompatible avec le programme sélectionné, le voyant se met à clignoter et l'option n'est pas activée.

! Si l'option sélectionnée n'est pas compatible avec une autre sélectionnée précédemment, le voyant correspondant à la première fonction sélectionnée se met à clignoter et seule la deuxième est activée, le voyant de l'option activée s'éclaire.

! Les options permettent de modifier le chargement conseillé et/ou la durée du cycle de lavage.

- 7. DEMARRER LE PROGRAMME.** Appuyer sur la touche START/PAUSE. Le voyant correspondant s'allume en vert fixe et le hublot est verrouillé (symbole HUBLOT VERROUILLÉ  allumé). Pendant le lavage, le nom de la phase en cours s'affiche à l'écran. Pour modifier un programme lorsqu'un cycle est en cours, **mettre le lave-linge en pause** en appuyant sur la touche START/PAUSE (le voyant START/PAUSE passe à l'orange et clignote lentement); sélectionner le cycle désiré et appuyer de nouveau sur la touche START/PAUSE. Pour ouvrir la porte tandis qu'un cycle est en cours, appuyer sur la touche START/PAUSE; si le symbole HUBLOT VERROUILLÉ  est éteint, on peut ouvrir le hublot (3 minutes environ). Pour faire redémarrer le programme exactement à l'endroit de l'arrêt, appuyer une nouvelle fois sur la touche START/PAUSE.

- 8. FIN DU PROGRAMME.** Elle est signalée par l'inscription "END" qui s'affiche à l'écran ; quand le symbole HUBLOT VERROUILLÉ  s'éteint, on peut ouvrir le hublot (3 minutes environ). Ouvrir le hublot, vider le lave-linge et éteindre l'appareil.

! Une pression prolongée sur la touche  permet d'annuler un cycle déjà lancé. Le cycle est interrompu et l'appareil s'éteint.

# Programmes et options

FR

Tableau des programmes

Programmes	Description du Programme	Temp. maxi. (°C)	Vitesse maxi (tours minute)	Produits lessiviels				Charge maxi (Kg)	Humidité résiduelle %	Consommation d'énergie kWh	Eau totale lt	Durée cycle
				Prélavage	Lavage	Javel	Assouplissant					
1	Anti-taches	40°	1000	●	●	-	●	3	-	-	-	180'
2	Blanc	60°	1000	●	●	-	●	3	-	-	-	190'
3	Coton standard 60°C (1): blancs et couleurs résistantes très sales.	60° (Max. 90°)	1000	●(3)	●	●	●	5	62	0.83	47.5	200'
4	Coton standard 40°C (2): blancs et couleurs délicates peu sales.	40°	1000	-	●	●	●	5	62	0.75	48	150'
5	Synthétique: couleurs résistantes très sales.	60°	800	●	●	●	●	3	46	0.88	38	110'
5	Synthétique (4): couleurs résistantes peu sales.	40°	800	●	●	●	●	3	46	0.55	37	95'
6	Antiallergique	60°	1000	-	●	●	●	3	-	-	-	185'
7	Bébé	40°	1000	●	●	●	●	3	-	-	-	160'
8	Laine: pour laine, cachemire, etc.	40°	800	-	●	-	●	1	-	-	-	70'
9	Délicat	30°	0	-	●	-	●	0.5	-	-	-	75'
10	Rapide 60': pour rafraîchir rapidement du linge normalement sale (ne convient pas pour la laine, la soie et le linge à laver à la main).	60°	1000	-	●	-	●	3.5	62	0.71	35	60'
11	Coton standard 20°C: blancs et couleurs délicates peu sales.	20°	1000	-	●	●	●	5	-	-	-	230'
12	Coton	Eau froid	1000	-	●	-	●	5	62	0.17	53	95'
13	Synthétique	Eau froid	800	-	●	-	●	2.5	49	0.11	37	75'
14	Rapide 30'	Eau froid	800	-	●	-	●	2.5	71	0.06	30	30'
	Rinçage	-	1000	-	-	-	●	5	-	-	-	49'
	Essorage + Vidange	-	1000	-	-	-	-	5	-	-	-	16'

La durée du cycle indiquée sur l'écran ou dans la notice représente une estimation calculée dans des conditions standard. Le temps effectif peut varier en fonction de nombreux facteurs tels que : température et pression de l'eau en entrée, température ambiante, quantité de lessive, quantité et type de charge, équilibrage de la charge, options supplémentaires sélectionnées.

**1) Programme de contrôle selon la directive 1061/2010: sélectionner le programme 3 et une température de 60°C.**

Ce cycle convient au lavage d'une charge de coton normalement sale et c'est le plus performant en termes de consommation d'eau et d'énergie, l'utiliser pour du linge lavable à 60°C. La température effective de lavage peut différer de la température indiquée.

**2) Programme de contrôle selon la directive 1061/2010: sélectionner le programme 4 et une température de 40°C.**

Ce cycle convient au lavage d'une charge de coton normalement sale et c'est le plus performant en termes de consommation d'eau et d'énergie, l'utiliser pour du linge lavable à 40°C. La température effective de lavage peut différer de la température indiquée.

**3) A 60 °C la fonction "Prélavage" ne peut pas être sélectionnée.**

Pour tous les instituts qui effectuent ces tests :

2) Programme coton long: sélectionner le programme 4 et une température de 40°C.

4) Programme synthétique long: sélectionner le programme 5 et une température de 40°C.

## Options de lavage

### Rinçage plus

La sélection de cette option permet d'augmenter l'efficacité du rinçage et d'éliminer totalement toute trace de lessive. Elle est très utile en cas de peaux particulièrement sensibles.

! Elle n'est pas activable sur les programmes 6, 9, 14, .

### Prélavage

Cette fonction permet d'effectuer un prélavage, très utile pour enlever les taches plus tenaces.

**N.B.:** Ajouter le produit lessiviel dans le bac prévu.

! Elle n'est pas activable sur les programmes 3 (60°), 4, 6,

8, 9, 10, 11, 12, 13, 14, , .

# Produits lessiviels et linge

FR

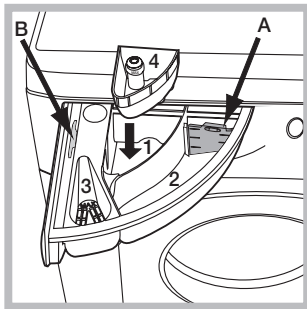
## Tiroir à produits lessiviels

Un bon résultat de lavage dépend aussi d'un bon dosage de produit lessiviel: un excès de lessive ne lave pas mieux, il incruste l'intérieur du lave-linge et pollue l'environnement.

! Utiliser des lessives en poudre pour du linge en coton blanc et en cas de pré-lavage et de lavages à une température supérieure à 60°C.

! Respecter les indications figurant sur le paquet de lessive.

! Ne pas utiliser de lessives pour lavage à la main, elles moussent trop.



Sortir le tiroir à produits lessiviels et verser la lessive ou l'additif comme suit.

### bac 1: Lessive pré-lavage (en poudre)

Avant d'introduire la lessive, s'assurer que le bac supplémentaire 4 n'est pas présent.

### bac 2: Lessive lavage (en poudre ou liquide)

En cas d'utilisation de lessive liquide, nous conseillons d'introduire le séparateur A fourni avec le lave-linge pour mieux déterminer la dose correcte. En cas d'utilisation de lessive en poudre, placer le séparateur dans le bac B.

### bac 3: Additifs (assouplissant, etc.)

L'assouplissant ne doit pas déborder de la grille.

### bac supplémentaire 4: Produit javellisé

## Triage du linge

- Trier correctement le linge d'après:
  - le type de textile / le symbole sur l'étiquette.
  - les couleurs: séparer le linge coloré du blanc.
- Vider les poches et contrôler les boutons.
- Ne pas dépasser les valeurs indiquées correspondant au poids de linge sec : voir "Tableau des programmes".

### Combien pèse le linge ?

- 1 drap 400-500 g
- 1 taie d'oreiller 150-200 g
- 1 nappe 400-500 g
- 1 peignoir 900-1200 g
- 1 serviette éponge 150-250 g

## Programmes spéciaux

**Anti-taches:** ce programme 1 est idéal pour le lavage de linge très sale, aux couleurs résistantes. Il assure une classe de lavage supérieure à la classe standard (classe A). Ce programme ne permet pas de mélanger du linge de couleurs différentes. Nous conseillons d'utiliser de la lessive en poudre. En cas de taches tenaces, nous conseillons un prétraitement avec des additifs spéciaux.

**Blanc:** utiliser ce cycle de lavage 2 pour le linge blanc. Ce programme est conçu pour préserver l'éclat du blanc au fil des lavages. Pour obtenir de meilleurs résultats, nous conseillons d'utiliser de la lessive en poudre.

**Antiallergique:** utiliser le programme 6 pour éliminer les principaux allergènes tels que pollens, acariens, poils de chien ou de chat.

**Bébé:** utiliser le programme 7 pour enlever les taches des vêtements de bébé et rincer correctement les vêtements afin d'éviter les réactions allergiques. Spécialement conçu pour diminuer la charge bactérienne, ce cycle utilise une plus grande quantité d'eau et optimise l'effet des additifs désinfectants spécifiques ajoutés à la lessive.

**Laine:** Le cycle de lavage « Laine » de ce lave-linge Hotpoint-Ariston a été testé et approuvé par la société Woolmark Company pour le lavage d'articles en laine classés comme « lavables à la main », à condition que le lavage soit effectué conformément aux instructions indiquées sur l'étiquette du vêtement et aux indications fournies par le fabricant de l'électroménager. Hotpoint-Ariston est la première marque de lave-linge à avoir obtenu la certification Woolmark Apparel Care - Platinum délivrée par la société Woolmark Company pour ses performances de lavage et pour sa consommation d'eau et d'énergie.



**Délicat:** utiliser le programme 9 pour le lavage d'articles particulièrement délicats avec applications de strass ou de paillettes.

Pour le lavage d'articles en soie et de rideaux, sélectionner le cycle 9 et programmer le niveau « Délicat » de l'option . Il est recommandé de mettre le linge à l'envers avant le lavage et d'introduire les articles plus petits dans le sachet prévu pour le lavage des articles délicats.

Pour obtenir de meilleurs résultats, nous conseillons d'utiliser de la lessive liquide spéciale textiles délicats.

### Les cycles de lavage Eco

Les cycles Eco garantissent une économie d'énergie car ils permettent d'obtenir les meilleurs résultats de lavage sans besoin de chauffer l'eau. L'action mécanique (utilisation de l'eau + phases de lavage) est optimisée afin de compenser l'action thermique. L'avantage pour vous : alléger vos factures d'eau et d'électricité. Et un geste de plus pour l'environnement! Vous pouvez utiliser ces nouveaux programmes Eco (12 Coton, 13 Synthétique, et 14 Rapide 30') pour tous types de textile et toute charge de linge, peu ou moyennement sale. Pour optimiser les résultats de lavage avec les programmes Eco, nous vous recommandons d'utiliser de la lessive liquide.

**Coton Standard 20°** idéal pour des charges de linge sale en coton. Les bonnes performances, même à froid, comparables à celles d'un lavage à 40°, sont assurées grâce à une action mécanique qui brasse en variant la vitesse et avec des pics répétés et rapprochés.

### Système d'équilibrage de la charge

Avant tout essorage, pour éviter toute vibration excessive et répartir le linge de façon uniforme, le lave-linge fait tourner le tambour à une vitesse légèrement supérieure à la vitesse de lavage. Si au bout de plusieurs tentatives, la charge n'est toujours pas correctement équilibrée, l'appareil procède à un essorage à une vitesse inférieure à la vitesse normalement prévue. En cas de déséquilibre excessif, le lave-linge préfère procéder à la répartition du linge plutôt qu'à son essorage. Pour une meilleure répartition de la charge et un bon équilibrage, nous conseillons de mélanger de grandes et petites pièces de linge.

# Anomalies et remèdes

Il peut arriver que le lave-linge ne fonctionne pas bien. Avant d'appeler le Service de dépannage (voir "Assistance"), contrôler s'il ne s'agit pas par hasard d'un problème facile à résoudre à l'aide de la liste suivante.

## Anomalies :

### Le lave-linge ne s'allume pas.

## Causes / Solutions possibles :

- La fiche n'est pas branchée dans la prise de courant ou mal branchée.
- Il y a une coupure de courant.

### Le cycle de lavage ne démarre pas.

- Le hublot n'est pas bien fermé.
- La touche ON/OFF n'a pas été enfoncée.
- La touche START/PAUSE n'a pas été enfoncée.
- Le robinet de l'eau n'est pas ouvert.
- Un départ différé a été sélectionné.

### Il n'y a pas d'arrivée d'eau (l'écran affiche "H2O" qui clignote).

- Le tuyau d'arrivée de l'eau n'est pas raccordé au robinet.
- Le tuyau est plié.
- Le robinet de l'eau n'est pas ouvert.
- Il y a une coupure d'eau.
- La pression n'est pas suffisante.
- La touche START/PAUSE n'a pas été enfoncée.

### Le lave-linge prend l'eau et vidange continuellement.

- Le tuyau de vidange n'est pas installé à une distance du sol comprise entre 65 et 100 cm (voir "Installation").
- L'extrémité du tuyau de vidange est plongée dans l'eau (voir "Installation").
- L'évacuation murale n'a pas d'évent.

Si après ces vérifications, le problème persiste, fermer le robinet de l'eau, éteindre la machine et appeler le service Assistance. Si l'appartement est situé en étage dans un immeuble, il peut y avoir des phénomènes de siphonage qui font que le lave-linge prend et évacue l'eau continuellement. Pour supprimer cet inconvénient, on trouve dans le commerce des soupapes spéciales anti-siphonage.

### Le lave-linge ne vidange pas et n'essore pas.

- Le programme ne prévoit pas de vidange : pour certains programmes, il faut intervenir pour la faire démarrer.
- Le tuyau de vidange est plié (voir "Installation").
- La conduite d'évacuation est bouchée.

### Le lave-linge vibre beaucoup pendant l'essorage.

- Le tambour n'a pas été débloqué comme il faut lors de l'installation du lave-linge (voir "Installation").
- Le lave-linge n'est pas posé à plat (voir "Installation").
- Le lave-linge est coincé entre des meubles et le mur (voir "Installation").

### Le lave-linge a des fuites.

- Le tuyau d'arrivée de l'eau n'est pas bien vissé (voir "Installation").
- Le tiroir à produits lessiviels est bouché (pour le nettoyer voir "Entretien et soin").
- Le tuyau de vidange n'est pas bien fixé (voir "Installation").

### Les voyants des "Options" et de START/PAUSE clignotent rapidement. L'écran affiche un code d'anomalie (par ex. : F-01, F-..).

- Eteindre l'appareil et débrancher la fiche de la prise de courant, attendre 1 minute environ avant de rallumer.  
Si l'anomalie persiste, appeler le service d'assistance.

### Il y a un excès de mousse.

- Le produit de lavage utilisé n'est pas une lessive spéciale machine (il faut qu'il y ait l'inscription "pour lave-linge", "main et machine", ou autre semblable).
- La quantité utilisée est excessive.

# Assistance

FR

## Avant d'appeler le service d'Assistance technique :

- Vérifier s'il est possible de résoudre l'anomalie par ses propres moyens (voir "Anomalies et Remèdes");
- Remettre le programme en marche pour contrôler si l'inconvénient a disparu ;
- Si ce n'est pas le cas, contacter un Centre de dépannage.

! Ne jamais s'adresser à des techniciens non agréés.

## Communiquer :

- le type de panne ;
- le modèle de l'appareil (Mod.) ;
- le numéro de série (S/N).

Ces informations se trouvent sur la plaque signalétique apposée à l'arrière du lave-linge et à l'avant quand on ouvre la porte hublot.

## RÈGLEMENT DÉLÉGUÉ (UE) N ° 1061/2010 DE LA COMMISSION

Marque	HOTPOINT/ARISTON
Modèle	WMUG 501 EU
Capacité nominale en kg de coton	5.0
Classe énergétique sur une échelle de A+++ (faible consommation) à G (consommation élevée)	A+
Consommation d'énergie par année en kWh <sup>1)</sup>	163.0
Consommation d'énergie d'un programme coton standard à 60°C et à pleine charge en kWh <sup>2)</sup>	0.834
Consommation d'énergie d'un programme coton standard à 60°C et à demi-charge en kWh <sup>2)</sup>	0.625
Consommation d'énergie d'un programme coton standard à 40°C et à demi-charge en kWh <sup>2)</sup>	0.578
Consommation d'énergie en mode "off" en W	0.5
Consommation d'énergie en mode "on" en W	8.0
Consommation d'eau par an en litres <sup>3)</sup>	9733
Classe d'efficacité d'essorage sur une échelle de G (efficacité minimum) à A (efficacité maximum)	C
Vitesse d'essorage maximum <sup>4)</sup>	1000
Taux d'humidité résiduelle (en %) <sup>5)</sup>	62%
Durée du « programme coton standard à 60°C » à pleine charge en minutes	200
Durée du « programme coton standard à 60°C » à demi-charge en minutes	150
Durée du « programme coton standard à 40°C » à demi-charge en minutes	145
Durée du mode laissé en marche en minutes	30
Émissions acoustiques dans l'air, exprimées en dB(A) re 1 pW en phase de lavage <sup>6)</sup>	0
Émissions acoustiques dans l'air, exprimées en dB(A) re 1 pW en phase d'essorage <sup>6)</sup>	0

<sup>1)</sup> Le programme "coton standard 60°C" pleine et demi-charge et le programme "coton standard 40°C" demi-charge sont les programmes de lavage standard auxquels se rapportent les informations qui figurent sur l'étiquette et sur la fiche. Ils conviennent pour laver du linge en coton normalement sale, et il s'agit des programmes les plus efficaces en termes de consommation combinée d'eau et d'énergie. La demi-charge correspond à la moitié de la charge nominale.

<sup>2)</sup> Sur la base de 220 cycles de lavage standard pour les programmes coton à 60°C et à 40°C à pleine et à demi-charge, et de la consommation des modes à faible puissance. La consommation réelle d'énergie dépend des conditions d'utilisation de l'appareil.

<sup>3)</sup> Sur la base de 220 cycles de lavage standard pour les programmes coton à 60°C et à 40°C à pleine et à demi-charge. La consommation réelle d'eau dépend des conditions d'utilisation de l'appareil.

<sup>4)</sup> Pour le programme standard à 60°C à pleine ou demi-charge, ou le programme standard à 40°C à demi-charge, la valeur la plus faible des deux étant retenue.

<sup>5)</sup> Atteint avec le programme coton à 60°C à pleine et demi-charge, ou le programme coton à 40°C à demi-charge, la valeur la plus élevée des deux étant retenue.

<sup>6)</sup> Sur la base des phases de lavage et d'essorage pour le programme coton standard à 60°C à pleine charge.



DE

Deutsch

WMUG 501

### INHALTSVERZEICHNIS

DE

#### **Installation, 74-75**

Auspacken und Aufstellen  
Wasser- und Elektroanschlüsse  
Erster Waschgang  
Technische Daten

#### **Reinigung und Pflege, 76**

Abstellen der Wasser- und Stromversorgung  
Reinigung des Gerätes  
Reinigung der Waschmittelschublade  
Pflege der Gerätetür und Trommel  
Reinigung der Pumpe  
Kontrolle des Wasserzulaufschlauchs

#### **Vorsichtsmaßnahmen und Hinweise, 77**

Allgemeine Sicherheit  
Entsorgung

#### **Beschreibung des Waschvollautomaten, 78-79**

Bedienblende  
Display

#### **Durchführung eines Waschprogramms, 80**

#### **Programme und Zusatzfunktionen, 81**

Programmtabelle  
Zusatzfunktionen

#### **Waschmittel und Wäsche, 82**

Waschmittelschublade  
Vorsortieren der Wäsche  
Sonderprogramme

#### **Störungen und Abhilfe, 83**

#### **Kundendienst, 84**

 **Hotpoint**  
ARISTON

# Aufstellung

DE

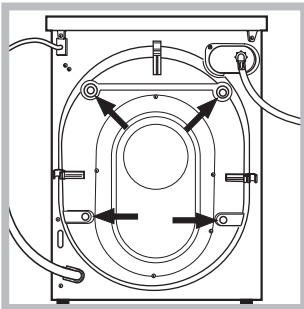
! Es ist äußerst wichtig, diese Bedienungsanleitung sorgfältig aufzubewahren, um sie jederzeit zu Rate ziehen zu können. Sorgen Sie dafür, dass sie im Falle eines Umzugs oder einer Übergabe an einen anderen Benutzer das Gerät stets begleitet, damit auch der neue Inhaber die Möglichkeit hat, diese zu Rate zu ziehen.

! Lesen Sie bitte folgende Hinweise aufmerksam durch: sie liefern wichtige Informationen hinsichtlich der Installation, des Gebrauchs und der Sicherheit.

## Auspacken und Aufstellen

### Auspacken

1. Gerät auspacken.
2. Sicherstellen, dass der Waschvollautomat keine Transportschäden erlitten hat. Schließen Sie das Gerät im Falle einer Beschädigung bitte nicht an und kontaktieren Sie Ihren Händler.



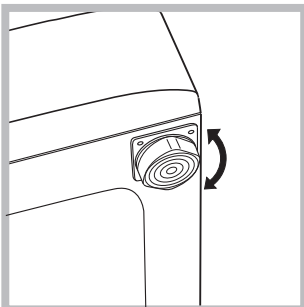
3. Die 4 Transport-schutzschrauben ausschrauben und das an der Rückwand befindliche Gummitteil und das entsprechende Abstandsstück abnehmen (siehe Abbildung).

4. Die Löcher mittels der mitgelieferten Kunststoffstöpsel schließen.
5. Sämtliche Teile aufbewahren: Sollte der Waschvollautomat erneut transportiert werden müssen, müssen diese Teile wieder eingesetzt werden.

! Verpackungsmaterial ist kein Spielzeug für Kinder.

### Nivellierung

1. Der Waschvollautomat muss auf einem ebenen, festen Untergrund aufgestellt werden, ohne diesen an Wände, Möbelteile oder ähnliches anzulehnen.

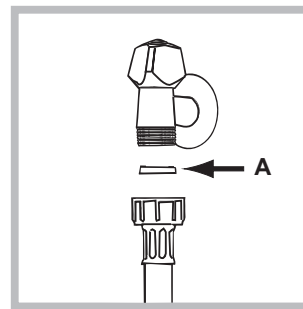


2. Sollte der Boden nicht perfekt eben sein, müssen die Unebenheiten durch An- bzw. Ausdrehen der vorderen Stellfüße ausgeglichen werden (siehe Abbildung), der auf der Arbeitsfläche zu ermittelnde Neigungsgrad darf 2° nicht überschreiten.

Eine präzise Nivellierung verleiht dem Gerät die erforderliche Stabilität, durch die Vibrationen, Betriebsgeräusche und ein Verrücken des Gerätes vermieden werden. Bei Teppichböden müssen die Stellfüße so reguliert werden, dass ein ausreichender Freiraum zur Belüftung unter dem Waschvollautomaten gewährleistet ist.

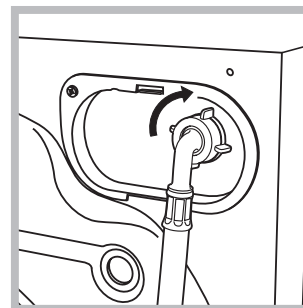
## Wasser- und Elektroanschlüsse

### Anschluss des Zulaufschlauches



1. Legen Sie die Gummidichtung A in das Anschlussstück des Zulaufschlauches ein und drehen Sie dieses an einen mit Gewindeanschluss von  $\frac{3}{4}$  G versehenen Kaltwasserhahn (siehe Abbildung). Lassen Sie das Wasser vor

dem Anschluss so lange auslaufen, bis klares Wasser austritt.



2. Das andere Ende des Schlauches an den oben rechts am Rückteil des Waschvollautomaten befindlichen Wasseranschluss anschließen (siehe Abbildung).

3. Der Schlauch darf nicht eingeklemmt oder abgknickt werden.

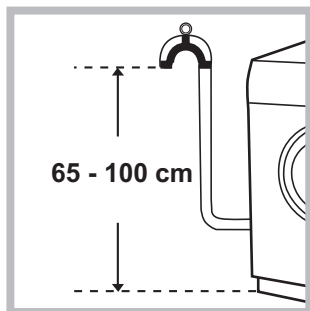
! Der Wasserdruck muss innerhalb der Werte liegen, die in der Tabelle der Technischen Daten angegeben sind (siehe nebenstehende Seite).

! Sollte der Zulaufschlauch nicht lang genug sein, dann wenden Sie sich bitte an einen Fachhändler oder an einen autorisierten Fachmann.

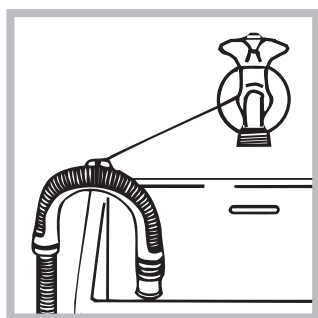
! Verwenden Sie niemals bereits gebrauchte Schläuche.

! Verwenden Sie die Schläuche, die mit dem Gerät geliefert wurden.

### Anschluss des Ablaufschlauches



Schließen Sie den Ablaufschlauch, ohne ihn dabei zu knicken, an eine Ablaufleitung, oder an einen in der Wand, in einer Höhe von 65cm bis 100cm an;



oder hängen Sie diesen in ein Becken oder eine Wanne ein; befestigen Sie den Schlauch in diesem Falle mittels der mitgelieferten Führung an dem Wasserhahn (siehe *Abbildung*). Das freie Ablaufschlauchende

darf nicht unter Wasser bleiben.

! Verlängerungsschläuche sollten nicht eingesetzt werden, sollte dies jedoch absolut unvermeidlich sein, muss die Verlängerung denselben Durchmesser des Originalschlauchs aufweisen und darf eine Länge von 150 cm nicht überschreiten.

### Elektroanschluss

Vor Einfügen des Netzsteckers in die Steckdose ist sicherzustellen, dass:

- die Steckdose über eine normgerechte Erdung verfügt;
- die Steckdose die in den Technischen Daten angegebenen Höchstlast des Gerätes trägt (siehe *nebenstehende Tabelle*);
- die Stromspannung den in den Technischen Daten angegebenen Werten entspricht (siehe *nebenstehende Tabelle*);
- die Steckdose mit dem Netzstecker des Waschvollautomaten kompatibel ist. Andernfalls muss der Netzstecker (oder die Steckdose) ersetzt werden.


! Der Waschvollautomat darf nicht im Freien installiert werden, auch nicht, wenn es sich um einen geschützten Platz handelt. Es ist gefährlich, das Gerät Gewittern und Unwettern auszusetzen.  
! Die Steckdose muß jederzeit zugänglich sein.

- ! Verwenden Sie bitte keine Verlängerungen oder Mehrfachstecker.
- ! Das Netzkabel darf nicht gebogen bzw. eingeklemmt werden.
- ! Das Versorgungskabel darf nur durch autorisierte Fachkräfte ausgetauscht werden.

Achtung! Der Hersteller übernimmt keinerlei Haftung, sollten diese Vorschriften nicht genau beachtet werden.

### Erster Waschgang

Lassen Sie nach der Installation bzw. vor erstmaligem Gebrauch erst einen Waschgang (mit Waschmittel) ohne Wäsche durchlaufen. Stellen Sie hierzu das Waschprogramm „AUTO REINIGEN“ ein (siehe „*Reinigung des Gerätes*“).

Technische Daten	
<b>Modell</b>	WMUG 501
<b>Abmessungen</b>	Breite 59,5 cm Höhe 85 cm Tiefe 34,8 cm
<b>Fassungsvermögen</b>	1 bis 5 kg
<b>Elektroanschlüsse</b>	siehe das am Gerät befindliche Typenschild
<b>Wasseranschlüsse</b>	Höchstdruck 1 MPa (10 bar) Mindestdruck 0,05 MPa (0,5 bar) Trommelvolumen 34 Liter
<b>Schleudertouren</b>	bis zu 1000 U/min.
<b>Prüfprogramme gemäß der Richtlinien 1061/2010 und 1015/2010</b>	Programm 3; Baumwolle 60°C; Programm 4; Baumwolle 40°C.
	Dieses Gerät entspricht den folgenden EG-Richtlinien: - 2004/108/CE (elektromagnetische Verträglichkeit) - 2012/19/EU - 2006/95/CE (Niederspannung)

# Reinigung und Pflege

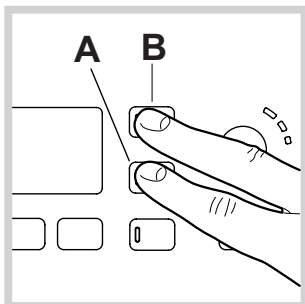
DE

## Abstellen der Wasser- und Stromversorgung

- Drehen Sie den Wasserhahn nach jedem Waschvorgang zu. Hierdurch wird der Verschleiß der Wasseranlage verringert und Wasserlecks vorgebeugt.
- Ziehen Sie den Netzstecker aus der Steckdose, bevor Sie Ihren Waschvollautomaten reinigen.

## Reinigung des Gerätes

- Die Gehäuseteile und die Teile aus Gummi können mit einem mit warmer Spülmittellauge angefeuchteten Tuch gereinigt werden. Vermeiden Sie Löse- und Scheuermittel.
- Die Waschmaschine verfügt über ein „AUTO REINIGEN“-Programm der inneren Teile, das **gänzlich ohne Wäsche** durchgeführt werden muss.



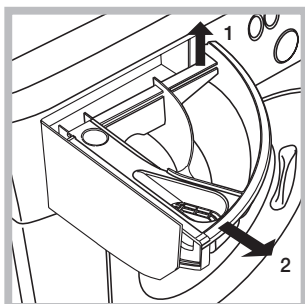
Als Hilfsmittel können bei diesem Waschgang Waschmittel (10 % von der für gering verschmutzte Kleidungsstücke empfohlenen Menge) oder spezifische Zusatzstoffe für die Reinigung von

Waschmaschinen verwendet werden. Es wird empfohlen, das Reinigungsprogramm alle 40 Waschgänge durchzuführen.

Um das Programm zu aktivieren, drücken Sie fünf Sekunden lang gleichzeitig die Tasten **A** und **B** (siehe abb.).

Das Programm startet automatisch und dauert etwa 70 Minuten. Um den Zyklus anzuhalten, drücken Sie die Taste START/PAUSE.

## Reinigung der Waschmittelschublade



Heben Sie die Schublade leicht an und ziehen Sie sie nach vorne hin heraus (siehe Abbildung). Spülen Sie sie regelmäßig unter fließendem Wasser gründlich aus.

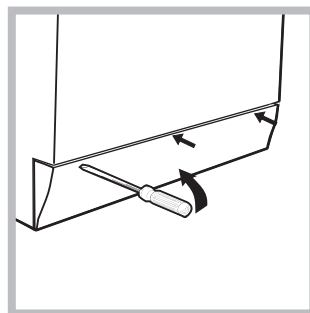
## Pflege der Gerätetür und Trommel

- Lassen Sie die Gerätetür stets leicht offen stehen, um die Bildung unangenehmer Gerüche zu vermeiden.

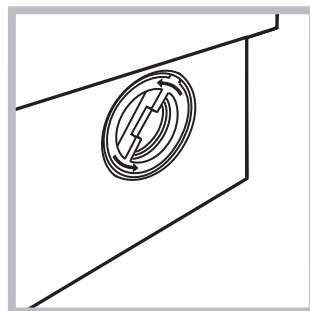
## Reinigung der Pumpe

Ihr Gerät ist mit einer selbstreinigenden Pumpe ausgerüstet, eine Wartung ist demnach nicht erforderlich. Es könnte jedoch vorkommen, dass kleine Gegenstände (Münzen, Knöpfe) in die zum Schutz der Pumpe dienende Vorkammer (befindlich unter der Pumpe) fallen. **! Vergewissern Sie sich, dass der Waschgang abgeschlossen ist und ziehen Sie den Netzstecker heraus.**

Zugang zur Vorkammer:



1. Nehmen Sie die Abdeckung (befindlich an der Gerätefront) mit Hilfe eines Schraubenziehers ab (siehe Abbildung);



2. Drehen Sie den Deckel gegen den Uhrzeigersinn ab (siehe Abbildung): es ist ganz normal, wenn etwas Wasser austritt;

3. Reinigen Sie das Innere gründlich;  
4. Schrauben Sie den Deckel wieder auf;

5. Bringen Sie die Abdeckung wieder an. Stellen Sie hierbei sicher, dass die Haken in die Schlitze eingreifen, bevor Sie die Abdeckung fest andrücken.

## Kontrolle des Wasserzulaufschlauchs

Kontrollieren Sie den Zulaufschlauch mindestens einmal im Jahr. Weist er Risse bzw. Brüche auf, muss er ausgetauscht werden. Der starke Druck während des Waschprogramms könnte zu plötzlichem Platzen führen.

**! Verwenden Sie niemals bereits gebrauchte Schläuche.**

# Vorsichtsmaßnahmen und Hinweise

! Der Waschvollautomat wurde nach den strengsten internationalen Sicherheitsvorschriften entworfen und gebaut. Nachstehende Hinweise werden aus Sicherheitsgründen geliefert und sollten aufmerksam gelesen werden.

## Allgemeine Sicherheit

- Dieses Gerät wurde ausschließlich für den Einsatz im privaten Haushalt konzipiert.
- Dieses Gerät darf von Kindern ab 8 Jahren und von Personen mit eingeschränkten körperlichen, sensorischen oder geistigen Fähigkeiten oder mit unzureichender Erfahrung und Kenntnis verwendet werden, vorausgesetzt, sie werden überwacht oder sie haben eine ausreichende Einweisung in die sichere Nutzung des Geräts erhalten und haben die damit verbundenen Gefahren verstanden. Erlauben Sie Kindern nicht, mit dem Gerät zu spielen. Wartung und Reinigung dürfen nicht von unbeaufsichtigten Kindern ausgeführt werden.
- Der Waschvollautomat darf nur von Erwachsenen und gemäß den Anleitungen dieses Handbuchs bedient werden.
- Berühren Sie das Gerät nicht, wenn Sie barfuß sind, und auch nicht mit nassen oder feuchten Händen oder Füßen.
- Ziehen Sie den Gerätestecker nicht am Kabel aus der Steckdose, sondern nur am Netzstecker selbst.
- Öffnen Sie die Waschmittelschublade nicht, wenn das Gerät in Betrieb ist.
- Berühren Sie nicht das Ablaufwasser, es könnte sehr heiß sein.
- Öffnen Sie die Gerätetür nicht mit Gewalt: Der Sicherheits-Schließmechanismus könnte hierdurch beschädigt werden.
- Bei etwaigen Störungen versuchen Sie bitte nicht, Innenteile selbst zu reparieren.
- Halten Sie Kinder stets von dem in Betrieb befindlichen Gerät fern.
- Während des Waschgangs kann die Gerätetür sehr heiß werden.
- Muss das Gerät versetzt werden, sollten hierfür zwei oder drei Personen verfügbar sein. Versetzen Sie es niemals allein, das Gerät ist äußerst schwer.
- Bevor Sie die Wäsche einfüllen, stellen Sie bitte sicher, dass die Wäschetrommel leer ist.

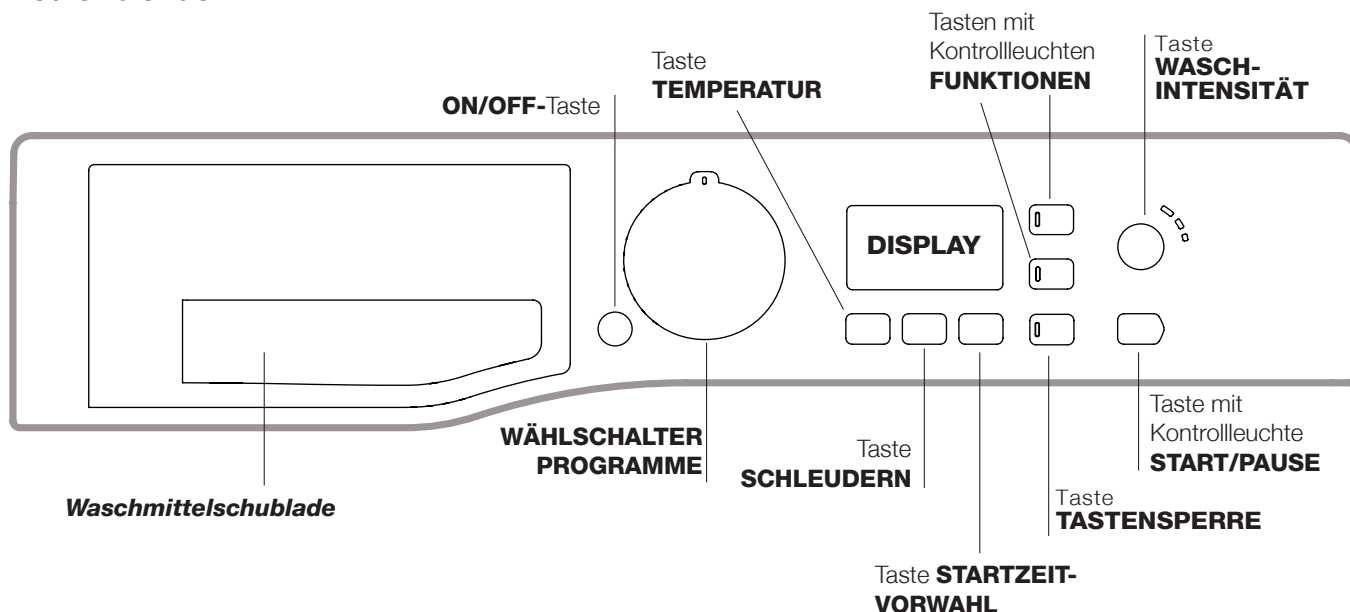
## Entsorgung

- Entsorgung des Verpackungsmaterials: Befolgen Sie die lokalen Vorschriften, Verpackungsmaterial kann wiederverwertet werden.
- Gemäß der Europäischen Richtlinie 2012/19/EU über Elektro- und Elektronik-Altgeräte dürfen Elektrohaushalts-Altgeräte nicht über den herkömmlichen Haushaltsmüllkreislauf entsorgt werden. Altgeräte müssen separat gesammelt werden, um die Wiederverwertung und das Recycling der beinhalteten Materialien zu optimieren und die Einflüsse auf


die Umwelt und die Gesundheit zu reduzieren. Das Symbol „durchgestrichene Mülltonne“ auf jedem Produkt erinnert Sie an Ihre Verpflichtung, dass Elektrohaushaltsgeräte gesondert entsorgt werden müssen. Endverbraucher können sich an Abfallämter der Gemeinden wenden, um mehr Informationen über die korrekte Entsorgung ihrer Elektrohaushaltsgeräte zu erhalten.

# Beschreibung Ihres Waschvollautomaten

## Bedienblende



**Waschmittelschublade:** für Waschmittel und Zusätze (siehe "Waschmittel und Wäsche").


Taste **ON/OFF** : Drücken Sie kurz auf die Taste, um das Gerät ein- bzw. auszuschalten. Die Kontrollleuchte START/PAUSE, die langsam grün blinkt, zeigt an, dass das Gerät eingeschaltet ist. Um den Waschvollautomaten während eines Waschgangs auszuschalten, muss die Taste etwas länger gedrückt werden (ca. 3 Sekunden); ein kurzer oder ein ungewollter Druck bewirkt kein Ausschalten des Gerätes. Das Ausschalten des Gerätes während eines laufenden Waschprogramms löscht den gesamten Waschzyklus.

**WÄHLSCHALTER PROGRAMME:** zur Einstellung des gewünschten Programms (siehe "Programmtabelle").


Tasten und Kontrollleuchten **ZUSATZFUNKTIONEN**  
Zur Einstellung der verfügbaren Zusatzfunktionen. Die der gewählten Funktion entsprechende Kontrollleuchte bleibt eingeschaltet.

Taste **WASCHINTENSITÄT** : Drücken Sie diese Taste, um die gewünschte Waschintensität zu wählen.

Taste **TEMPERATUR** : Drücken Sie, um die Temperatur herabzusetzen oder auszuschließen; der Wert wird auf dem Display angezeigt.

Taste **SCHLEUDER** : Drücken Sie die Taste, um die Schleudergeschwindigkeit herabzusetzen oder die Schleuder ganz auszuschließen. Der Wert wird auf dem Display angezeigt.

Taste **STARTZEITVORWAHL** : Zur Vorwahl der Startzeit des gewählten Programms drücken Sie bitte diese Taste; Der Wert wird auf dem Display angezeigt.

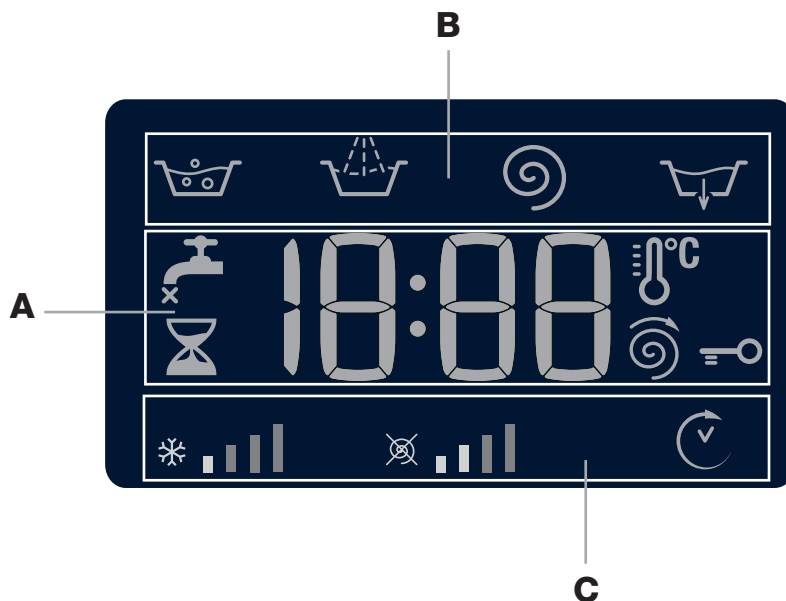
Taste mit Kontrollleuchte **START/PAUSE**: Sobald die grüne Kontrollleuchte auf langsames Blinklicht schaltet, drücken Sie die Taste, um den Waschgang zu starten. Nach Ingangsetzung des Programms schaltet die Kontrollleuchte auf Dauerlicht. Um den Waschgang zu unterbrechen, drücken Sie erneut die Taste; die Kontrollleuchte schaltet auf orangefarbenes Blinklicht. Wenn das Symbol  nicht leuchtet, kann die Gerätetür geöffnet werden (etwa 3 Minuten). Um das Programm an der Stelle, an der es unterbrochen wurde, wieder in Gang zu setzen, drücken Sie die Taste erneut.

Taste **TASTENSPERRE** : Zur **Aktivierung** der Sperre der Bedienblende halten Sie die Taste ca. 2 Sekunden lang gedrückt. Das eingeschaltete Symbol  zeigt an, dass die Bedienblende gesperrt ist. Auf diese Weise wird verhindert, dass ein Programm aus Versehen geändert wird, vor allem (mit Ausnahme der Taste ON/OFF), wenn kleine Kinder im Hause sind. Zur **Deaktivierung** der Sperre der Bedienblende halten Sie die Taste ca. 2 Sekunden lang gedrückt.

### Funktion Standby

Zur Erfüllung der neuen Richtlinien zum Energieverbrauch ist diese Waschmaschine mit einem automatischen Ausschaltensystem (Standby) ausgestattet, das nach 30 Minuten des Nichtgebrauchs in Funktion tritt. Drücken Sie kurz die Taste ON/OFF und warten Sie, bis sich die Maschine wieder einschaltet.

## Display










Das Display dient nicht nur zur Programmierung des Gerätes, sondern liefert auch zahlreiche Informationen.

Im Abschnitt **A** werden die Dauer der verschiedenen verfügbaren Programme sowie die Restzeit nach Zyklusstart angezeigt; wurde eine STARTZEITVORWAHL eingestellt, dann wird die bis zum Start des ausgewählten Programms verbleibende Zeit angezeigt.

Darüber hinaus werden durch Drücken der entsprechenden Taste die maximalen Werte der Schleudergeschwindigkeit und der Temperatur angezeigt, die die Maschine mit dem eingestellten Programm ausführen kann, oder aber die zuletzt ausgewählten Werte, wenn sie mit dem ausgewählten Programm kompatibel sind.


Im Abschnitt **B** werden die für den ausgewählten Zyklus vorgesehenen "Waschphasen" angezeigt. Bei laufenden Programmen wird die jeweilige Programmphase angezeigt.

-  Hauptwäsche
-  Spülen
-  Schleudern
-  Abpumpen

Im Abschnitt **C** sind folgende Symbole angeordnet (von links nach rechts): "Temperatur", "Schleuder" und "Startvorwahl": Die Balkenanzeigen "Temperatur"  zeigen den maximal auswählbaren Temperaturwert für den eingestellten Zyklus. Die Balkenanzeigen "Schleuder"  zeigen den maximal auswählbaren Schleudewert für den eingestellten Zyklus. Das beleuchtete Symbol "STARTZEITVORWAHL"  zeigt an, dass auf dem Display der Wert der eingestellten "Startzeitvorwahl" angezeigt wird.

### Kontrollleuchte **GERÄTETÜR GESPERRT**

Das beleuchtete Symbol zeigt an, dass die Gerätetür gesperrt ist. Zur Vermeidung einer evtl. Beschädigung warten Sie bitten, bis das Symbol erlischt, bevor Sie die Gerätetür öffnen (etwa 3 Minuten).

Um während eines laufenden Programms die Gerätetür zu öffnen, drücken Sie die Taste START/PAUSE; wenn das Symbol GERÄTETÜR GESPERRT  erloschen ist, kann die Gerätetür geöffnet werden (etwa 3 Minuten).

# Durchführung eines Waschprogramms

DE

1. **EINSCHALTEN DES GERÄTES.** Drücken Sie die Taste ; die Kontrollleuchte START/PAUSE blinkt langsam grün.

2. **EINFÜLLEN DER WÄSCHE.** Öffnen Sie die Gerätetür. Füllen Sie die Wäsche ein. Achten Sie hierbei bitte darauf, die in der Programmtabelle (auf der nächsten Seite) angegebene Wäschemenge nicht zu überschreiten.

3. **DOSIERUNG DES WASCHMITTELS.** Ziehen Sie die Waschmittelschublade heraus und füllen Sie das Waschmittel in die entsprechenden Kammern (siehe "Waschmittel und Wäsche").

4. **SCHLIESSEN SIE DIE GERÄTETÜR.**

5. **WAHL DES WASCHPROGRAMMS.** Stellen Sie mit dem Wählschalter PROGRAMME das gewünschte Programm ein; die entsprechende Temperatur und Schleudergeschwindigkeit werden automatisch zugeschaltet, können jedoch geändert werden. Auf dem Display wird die Programmdauer angezeigt.

6. **INDIVIDUALISIERUNG DES WASCHGANGS.**

Verwenden Sie hierzu die entsprechenden Tasten:


  **Änderung der Temperatur und/oder der Schleuder.** Das Gerät zeigt automatisch die für das eingestellte Programm vorgesehene maximale Temperatur sowie die maximale Schleudergeschwindigkeit. Durch Drücken der Taste  kann die Temperatur Schritt für Schritt herabgesetzt werden, bis auf Kaltwäsche "OFF". Durch Drücken der Taste  kann die Schleudergeschwindigkeit allmählich herabgesetzt werden, bis auf völliges Ausschließen der Schleuder "OFF". Ein weiterer Druck auf die Tasten bringt die Werte wieder auf die maximalen Werte zurück.

! Ausnahme: Wird das Waschprogramm 3 eingestellt, kann die Temperatur bis auf 90° erhöht werden.


 **Eine Startzeitvorwahl eingeben.**


Zur Vorwahl der Startzeit des eingestellten Programms drücken Sie die entsprechende Taste, bis die gewünschte Zeitverzögerung angezeigt wird. Wenn diese Option aktiv ist, dann schaltet sich auf dem Display das Symbol  ein. Um eine programmierte Startzeit zu löschen, drücken Sie die Taste, bis auf dem Display die Anzeige "OFF".

**Einstellen der gewünschten Waschintensität.**

Die Option  ermöglicht Ihnen die optimale Einstellung des Waschgangs auf Grundlage des Verschmutzungsgrades der Kleidung und der gewünschten Waschintensität.

Wählen Sie das Spülprogramm. Der Zyklus wird automatisch auf „Normal“ eingestellt, was optimal für durchschnittlich verschmutzte Kleidung ist (diese Einstellung ist nicht geeignet für den Zyklus „Wolle“, der automatisch auf „Delicate“ gestellt wird).

Für stark verschmutzte Kleidung drücken Sie die Taste , bis Sie die Einstellung „Intensive“ erreicht haben. Diese Einstellung gewährleistet dank der Verwendung einer größeren Menge Wasser zu Beginn des Zyklus sowie dank einer größeren mechanischen Bewegung

einen leistungsstarken Waschgang und ermöglicht die Entfernung der widerstandsfähigsten Flecken. Es ist eine Verwendung **mit** oder **ohne** Bleichmittel möglich. Wenn Sie Bleichmittel verwenden möchten, setzen Sie die mitgelieferte zusätzliche Kammer **4** in Kammer **1** ein. Bei der Dosierung des Bleichmittels darf der auf dem Zentralstift mit „max“ gekennzeichnete Höchststand (siehe Abb. auf Seite 82) nicht überschritten werden. Für gering verschmutzte Kleidung oder für eine schonende Behandlung der Kleidung drücken Sie die Taste , bis Sie die Einstellung „Delicate“ erreicht haben. Der Zyklus verringert die mechanische Bewegung und sorgt somit für einen idealen Waschgang für Feinwäsche.


**Änderung der Eigenschaften des Waschgangs.**


- Drücken Sie die Taste zum Aktivieren der Option; die entsprechende Kontrollleuchte schaltet sich dabei ein.
- Durch erneutes Drücken der Taste kann die Zusatzfunktion wieder ausgeschaltet werden; die Kontrollleuchte erlischt.


! Ist die gewählte Zusatzfunktion nicht kompatibel mit dem eingestellten Programm, schaltet die Kontrollleuchte auf Blinklicht und die Zusatzfunktion wird nicht aktiviert.

! Ist die gewählte Zusatzfunktion mit einer anderen bereits eingestellten nicht kompatibel, beginnt die Kontrollleuchte der ersten ausgewählten Funktion zu blinken und es wird nur die zweite Funktion aktiviert, die Kontrollleuchte der aktivierten Option leuchtet.

! Die Zusatzfunktionen können eine Änderung der empfohlenen Ladungsmenge und/oder Waschzeit bewirken.

7. **STARTEN DES PROGRAMMS.** Drücken Sie die Taste START/PAUSE. Die zugehörige Kontrollleuchte schaltet auf grünes Dauerlicht und die Gerätetür sperrt (Symbol GERÄTETÜR GESPERRT  leuchtet). Um ein Programm während eines laufenden Waschgangs zu ändern, schalten Sie den Waschvollautomat mittels der Taste START/PAUSE auf Pause (die Kontrollleuchte START/PAUSE blinkt nun langsam bernsteinfarben); wählen Sie daraufhin das gewünschte Programm aus und drücken Sie erneut auf die Taste START/PAUSE. Um während eines laufenden Programms die Gerätetür zu öffnen, drücken Sie die Taste START/PAUSE; wenn das Symbol GERÄTETÜR GESPERRT  erloschen ist, kann die Gerätetür geöffnet werden (etwa 3 Minuten). Drücken Sie die Taste START/PAUSE erneut, um das Programm an der Stelle, an der es unterbrochen wurde, wieder in Gang zu setzen.

8. **ENDE DES PROGRAMMS.** Das Programmende wird durch die Anzeige "END" auf dem Display angezeigt. Wenn das Symbol GERÄTETÜR GESPERRT  erlischt, kann die Gerätetür geöffnet werden (etwa 3 Minuten). Öffnen Sie die Gerätetür, nehmen Sie die Wäsche heraus und schalten Sie das Gerät aus.

! Möchten Sie ein bereits in Gang gesetztes Waschprogramm löschen, drücken Sie die Taste  etwas länger. Der Waschgang wird unterbrochen und das Gerät schaltet sich aus.



# Programme und Zusatzfunktionen

## Programmtabelle

Waschprogramm	Beschreibung des Programms	Max. Temperatur (°C)	Max. Schleuder-Geschwindigkeit (U/min)	Detergents				Max. Beladungsmenge (kg)	Restfeuchtigkeit %	Energieverbrauch kWh	Wasser gesamt lt	Programmdauer
				Vorwäsche	Hauptwäsche	Bleichmittel	Weichspüler					
1	Flecken	40°	1000	●	●	-	●	3	-	-	-	180'
2	Weißwäsche	60°	1000	●	●	-	●	3	-	-	-	190'
3	<b>Baumwolle 60° (1):</b> stark verschmutzte Weiß- und farbechte Buntwäsche.	60° (Max. 90°)	1000	●(3)	●	●	●	5	62	0.83	47.5	200'
4	<b>Baumwolle 40° (2):</b> leicht verschmutzte Weiß- und empfindliche Buntwäsche.	40°	1000	-	●	●	●	5	62	0.75	48	150'
5	<b>Synthetik:</b> leicht verschmutzte, farbechte Buntwäsche.	60°	800	●	●	●	●	3	46	0.88	38	110'
5	<b>Synthetik (4):</b> stark verschmutzte, farbechte Buntwäsche.	40°	800	●	●	●	●	3	46	0.55	37	95'
6	Antiallergen	60°	1000	-	●	●	●	3	-	-	-	185'
7	Baby	40°	1000	●	●	●	●	3	-	-	-	160'
8	<b>Wolle:</b> wolle, Kaschmir usw.	40°	800	-	●	-	●	1	-	-	-	70'
9	Ultra Fein	30°	0	-	●	-	●	0.5	-	-	-	75'
10	<b>Schnell 60':</b> zum kurzen Auffrischen leicht verschmutzter Wäsche (nicht geeignet für Wolle, Seide und Handwäsche).	60°	1000	-	●	-	●	3.5	62	0.71	35	60'
11	<b>Baumwolle 20':</b> leicht verschmutzte Weiß- und empfindliche Buntwäsche.	20°	1000	-	●	●	●	5	-	-	-	230'
12	Baumwolle	Kaltes Wasser	1000	-	●	-	●	5	62	0.17	53	95'
13	Synthetik	Kaltes Wasser	800	-	●	-	●	2.5	49	0.11	37	75'
14	Schnell 30'	Kaltes Wasser	800	-	●	-	●	2.5	71	0.06	30	30'
	Spülen	-	1000	-	-	-	●	5	-	-	-	49'
	Schleudern und Abpumpen	-	1000	-	-	-	-	5	-	-	-	16'

Die auf dem Display und in der Bedienungsanleitung genannte Zyklusdauer wird ausgehend von Standardbedingungen berechnet. Die effektiv benötigte Zeit kann aufgrund zahlreicher Faktoren wie Temperatur und Druck des Zulaufwassers, Raumtemperatur, Waschmittelmenge, Art, Menge und Verteilung der Waschladung sowie der gewählten Zusatzfunktionen variieren.

### 1) Prüfprogramm gemäß 1061/2010: Das Programm 3 mit einer Temperatur von 60°C.

Dieser Zyklus ist für den Waschvorgang von normal schmutziger Baumwollwäsche geeignet; es ist der wirksamste in Bezug auf den kombinierten Energie-Wasser-Verbrauch; für bei 60°C. zu waschende Wäsche zu verwenden. Die effektive Waschttemperatur kann von der angegebenen abweichen.

### 2) Prüfprogramm gemäß 1061/2010: Das Programm 4 mit einer Temperatur von 40°C.

Dieser Zyklus ist für den Waschvorgang von normal schmutziger Baumwollwäsche geeignet; es ist der wirksamste in Bezug auf den kombinierten Energie-Wasser-Verbrauch; für bei 40°C. zu waschende Wäsche zu verwenden. Die effektive Waschttemperatur kann von der angegebenen abweichen.

### 3) Die "Vorwäsche" funktion kann beim Temperaturwert 60 °C nicht aktiviert werden.

Für alle Testinstitute:

2) Langes Baumwollprogramm: Das Programm 4 mit einer Temperatur von 40°C.

4) Langes Synthetikprogramm: Programm 5 und eine Temperatur von 40°C einstellen.

## Zusatzfunktionen

### Extra Spülgang

Wählen Sie diese Zusatzfunktion, wird die Spülwirkung erhöht und somit ein optimales Ausspülen des Waschmittels garantiert. Dies ist besonders empfehlenswert bei sehr empfindlicher Haut bzw. Waschmittelallergien.

! Kann nicht zu den Programmen 6, 9, 14, zugeschaltet werden.

### Vorwäsche

Beim Wählen dieser Funktion wird eine Vorwäsche aktiviert, so dass auch hartnäckige Flecken beseitigt werden.

**NB:** Füllen Sie das Waschpulver in die entsprechende Kammer ein.

! Kann nicht zu den Programmen 3 (60°), 4, 6, 8, 9, 10, 11, 12, 13, 14, , zugeschaltet werden.

# Waschmittel und Wäsche

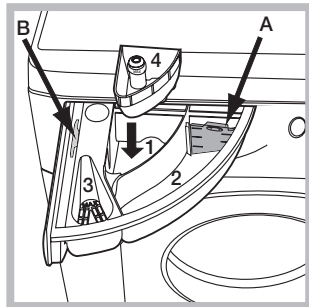
DE

## Waschmittelschublade

Ein gutes Waschergebnis hängt auch von einer korrekten Waschmitteldosierung ab: Eine zu hohe Dosierung bedeutet nicht unbedingt reinere Wäsche, sie trägt nur dazu bei, die Maschineninnenteile zu verkrusten und die Umwelt zu belasten. **!** Waschmittel in Pulverform für Baumwollweißwäsche, für die Vorwäsche und für Waschprogramme bei Temperaturen über 60°C verwenden.

**!** Bitte befolgen Sie den auf der Waschmittelverpackung angegebenen Anweisungen.

**!** Verwenden Sie keine Handwaschmittel, diese verursachen eine zu hohe Schaumbildung.



Schublade herausziehen und Waschmittel oder Zusätze wie folgt einfüllen:

### Kammer 1: Waschpulver für die Vorwäsche (Waschpulver)

Vergewissern Sie sich vor Einfüllen des Waschmittels, dass die Zusatzkammer 4 nicht eingesetzt wurde.

### Kammer 2: Waschmittel für die Hauptwäsche (Waschpulver oder Flüssigwaschmittel)

Falls Sie ein Flüssigwaschmittel verwenden, wird empfohlen, die mitgelieferte Trennwand **A** zu benutzen, um eine korrekte Dosierung zu gewährleisten. Wenn Sie ein Pulverwaschmittel verwenden, geben Sie die Trennwand in die Kammer

**B. Kammer 3: Zusätze (Weichspüler usw.)** Der Weichspüler darf das Gitter nicht übersteigen.

### Zusätzliche Kammer 4: Bleichmittel

### Vorsortieren der Wäsche

- Sortieren Sie die Wäsche nach:
  - Gewebeart / Waschetikettensymbol
  - Farben: Buntwäsche von Weißwäsche trennen.
- Entleeren Sie alle Taschen.
- Das angegebene Gewicht, das sich auf die maximale Ladung an Trockenwäsche bezieht, sollte nicht überschritten werden: siehe "Programmtabelle".

### Wie schwer ist Wäsche?

- 1 Betttuch 400-500 gr
- 1 Kissenbezug 150-00 gr
- 1 Tischdecke 400-500 gr
- 1 Bademantel 900-1200 gr
- 1 Handtuch 150-250 gr

### Sonderprogramme

**Flecken:** Das Programm **1** ist für die Reinigung stark verschmutzter Kleidung mit widerstandsfähigen Farben geeignet. Das Programm gewährleistet einen Waschgang, der besser als der Standard (Klasse A) ist. Mischen Sie bei diesem Programm keine Kleidungsstücke mit unterschiedlicher Farbe. Es empfiehlt sich die Verwendung von Pulverwaschmittel. Bei hartnäckigen Flecken empfiehlt sich die Vorbehandlung mit spezifischen Zusatzstoffen.

**Weißwäsche:** Verwenden Sie dieses Programm **2** für weiße Wäsche. Das Programm wurde konzipiert, um die Wäsche lange Zeit leuchtend weiß zu erhalten. Um bessere Ergebnisse zu erzielen, wird Waschmittel in Pulverform empfohlen.


**Antiallergen:** Verwenden Sie das Programm **6** für die Entfernung der wichtigsten Allergene, wie etwa Pollen, Milben oder Katzen- und Hundehaare.

**Baby:** Wählen Sie das Spezialprogramm **7** um die durch Kinder verursachten, typischen Flecken zu beseitigen und die Waschmittel optimal auszuspülen auch um Allergien an der empfindlichen Kinderhaut zu vermeiden. Dieser Zyklus reduziert das Bakterienaufkommen durch eine Erhöhung der Wassermenge und wurde optimiert für die Verwendung von speziellen desinfizierenden Waschmittelzusätzen.

**Wolle:** Das Waschprogramm „Wolle“ dieser Waschmaschine Hotpoint-Ariston wurde von der Woolmark Company für die Wäsche von mit „Handwäsche“ gekennzeichneten Wollkleidungsstücken getestet und anerkannt, vorausgesetzt die Wäsche erfolgt gemäß der Anweisungen auf Etikett des Kleidungsstück und den Angaben des Herstellers des Haushaltsgeräts. Hotpoint-Ariston ist die erste Waschmaschinenmarke, die von der Woolmark Company die Zertifizierung Woolmark Apparel Care - Platinum für ihre Wascheleistungen und den Verbrauch von Wasser und Energie erhalten hat.



**Ultra Fein:** Verwenden Sie das Programm **9** für die Reinigung von Feinwäsche, die Applikationen wie Strass oder Pailletten aufweist.

Wählen Sie für die Reinigung von Kleidungsstücken aus **Seide** und **Vorhänge** den Zyklus **9** und wählen Sie bei der Option  die Einstellung „Delicate“.

Es wird empfohlen, die Kleidungsstücke vor der Reinigung umzudrehen und kleinere Kleidungsstücke in den entsprechenden Reinigungsbeutel für Feinwäsche zu geben. Um bessere Ergebnisse zu erzielen, wird für die Reinigung von Feinwäsche die Verwendung von Flüssigwaschmittel empfohlen.

### Programme Eco

Die Programme Eco bieten gute Wascheleistungen bei niedrigen Temperaturen, was sich in einem geringeren Energieverbrauch zu Gunsten der Umwelt und der Ersparnis auswirkt. Die Programme Eco (Baumwolle **12**, Synthetik **13**, Schnell 30' **14**) wurden für unterschiedliche Gewebearten und für wenig verschmutzte Wäsche entwickelt. Für ein optimales Resultat empfehlen wir, ein Flüssigwaschmittel zu verwenden und Manschetten, Kragen und Flecken vorzubehandeln.

**Baumwolle 20°**, ideal für normalverschmutzte Baumwolle. Die auch mit kaltem Wasser erreichten Leistungen, vergleichbar mit einer Wäsche bei 40°, werden mechanisch erzielt. Die Trommel arbeitet mit wiederholten, kurz auf einander folgenden Beschleunigungen.

### System zur Auswuchtung der Wäscheladung

Um zu starke Vibrationen, die durch Unwucht beim Schleudern entstehen, zu vermeiden, sorgt das Gerät für eine gleichmäßige Verteilung der Wäscheladung durch Rotationen der Trommel. Sollte die Wäscheladung nach Ablauf mehrerer Versuche immer noch nicht korrekt verteilt sein, schleudert das Gerät die Wäsche bei einer niedrigeren Geschwindigkeit als die der vorgesehenen Schleudergeschwindigkeit. Sollte die Wäsche extrem ungleichmäßig verteilt sein, führt das Gerät anstelle des Schleudergangs einen Wäscheverteilungs-Zyklus durch. Um eine optimale Verteilung der Wäscheladung und somit eine korrekte Auswuchtung zu begünstigen, sollten große und kleine Wäscheteile gemischt eingefüllt werden.

# Störungen und Abhilfe

Bei Funktionsstörung: Bevor Sie sich an den Technischen Kundendienst wenden (siehe „Kundendienst“), vergewissern Sie sich zuerst, ob es sich nicht um eine Kleinigkeit handelt, die Sie selbst beheben können. Ziehen Sie hierzu nachstehendes Verzeichnis zu Rate.

## Störungen:

**Der Waschvollautomat schaltet sich nicht ein.**

**Der Waschgang startet nicht.**

**Der Waschvollautomat lädt kein Wasser (Auf dem Display ist die Anzeige "H2O" blinkend eingblendet).**

**Der Waschvollautomat lädt laufend Wasser und pumpt es laufend ab.**

**Der Waschvollautomat pumpt nicht ab und schleudert nicht.**

**Der Waschvollautomat vibriert zu stark während des Schleuderns.**

**Der Waschvollautomat ist undicht.**

**Die Kontrollleuchten der "Funktionen" und "START/PAUSE" blinken schnell und auf dem Display wird ein Fehlercode angezeigt (z.B.: F-01, F-..).**

**Es bildet sich zu viel Schaum.**

## Mögliche Ursachen / Lösungen:

- Der Stecker steckt nicht in der Steckdose, oder nicht so, dass der Kontakt hergestellt wird.
- Der Strom ist ausgefallen.
- Die Gerätetür wurde nicht vorschriftsmäßig geschlossen.
- Die ON/OFF-Taste wurde nicht gedrückt.
- Die Taste START/PAUSE wurde nicht gedrückt.
- Der Wasserhahn ist nicht aufgedreht.
- Es wurde ein verzögerter Start gewählt.
- Der Zufuhrschlauch ist nicht am Wasserhahn angeschlossen.
- Der Schlauch ist geknickt.
- Der Wasserhahn ist nicht aufgedreht.
- Es ist kein Wasser da.
- Der Druck ist unzureichend.
- Die Taste START/PAUSE wurde nicht gedrückt.
- Der Ablaufschlauch befindet sich nicht auf der vorgeschriebenen Höhe, d.h. 65 – 100 cm vom Boden (siehe "Installation").
- Das Schlauchende liegt unter Wasser (siehe "Installation").
- Der Abfluss der Hausinstallation wurde nicht mit einer Entlüftungsöffnung versehen.

Konnte die Störung durch diese Kontrollen nicht behoben werden, dann drehen Sie den Wasserhahn zu, schalten das Gerät aus und fordern den Kundendienst an. Falls Sie in einer der obersten Etagen eines Gebäudes wohnen, kann es vorkommen, dass sich im Syphon ein Vakuum bildet, und der Waschvollautomat ständig Wasser ansaugt und wieder abpumpt. Zur Lösung dieser Probleme bietet der Handel spezielle Syphonventile.

- Das Programm siehe kein Abpumpen vor: bei einigen Programmen muss diese Funktion manuell gestartet werden.
- Der Ablaufschlauch ist geknickt (siehe "Installation").
- Die Ablaufleitung ist verstopft.
- Die Trommel wurde bei der Installation nicht korrekt befreit (siehe "Installation").
- Der Waschvollautomat steht nicht eben (siehe "Installation").
- Der Waschvollautomat steht zu eng zwischen der Wand und einem Möbel (siehe "Installation").
- Der Zulaufschlauch wurde nicht ordnungsgemäß aufgeschraubt (siehe "Installation").
- Die Waschmittelschublade ist verstopft (zur Reinigung siehe "Wartung und Pflege").
- Der Ablaufschlauch ist nicht korrekt befestigt (siehe "Installation").
- Schalten Sie das Gerät aus und ziehen Sie den Netzstecker; warten Sie daraufhin ca. 1 Minute und schalten Sie es wieder ein. Bleibt die Störung bestehen, kontaktieren Sie bitte den Kundendienst.
- Das Waschmittel ist für Waschmaschinen nicht geeignet (es muss mit der Aufschrift "Für Waschmaschinen", "Für Handwäsche und Waschmaschinen" usw. versehen sein).
- Es wurde zu hoch dosiert.

## Bevor Sie den Kundendienst anfordern:

- sollten einige Kontrollen vorab selbst durchgeführt werden (siehe „Störungen und Abhilfe“);
- Starten Sie daraufhin das Programm erneut, um sicherzustellen, dass die Störung auch wirklich behoben wurde;
- Ist dies nicht der Fall, wenden Sie sich bitte an ein Kundendienstzentrum.

! Beauftragen Sie bitte niemals unbefugtes Personal.

## Comunicare:

- die Art der Störung;
- das Gerätemodell (Mod.);
- die Seriennummer (S/N).

Diese Daten entnehmen Sie bitte dem auf der Rückseite des Waschvollautomaten und auf der Vorderseite (Gerätetür öffnen) befindlichen Typenschild.

### DELEGIERTE VERORDNUNG (EU) Nr. 1061/2010 DER KOMMISSION

Marke	HOTPOINT/ARISTON
Modell	WMUG 501 EU
Nennkapazität Baumwolle in kg	5,0
Energieeffizienzklasse (A+++ niedriger Verbrauch) bis D (hoher Verbrauch)	A+
Energieverbrauch pro Jahr in kWh <sup>1)</sup>	163,0
Energieverbrauch Standardprogramm 60° C Baumwolle bei ganzer Beladung <sup>2)</sup>	0,834
Energieverbrauch Standardprogramm 60° C Baumwolle bei teilweiser Beladung <sup>2)</sup>	0,625
Energieverbrauch Standardprogramm 40° C Baumwolle bei teilweiser Beladung <sup>2)</sup>	0,578
Leistungsaufnahme im Aus-Zustand in W	0,5
Leistungsaufnahme im unausgeschalteten Zustand in W	8,0
Wasserverbrauch pro Jahr in Liter <sup>3)</sup>	9733
Schleudereffizienzklasse (A höchste Effizienz) bis G (geringe Effizienz)	C
Maximale Schleuderdrehzahl U/min <sup>4)</sup>	1000
Restfeuchte in % <sup>5)</sup>	62%
Programmdauer 60° Baumwolle bei ganzer Beladung in Minuten	200
Programmdauer 60° Baumwolle bei teilweiser Beladung in Minuten	150
Programmdauer 40° Baumwolle bei teilweiser Beladung in Minuten	145
Dauer des unausgeschalteten Zustandes in Minuten nach Programmende	30
Luftschallemissionen Waschen dB(A) re 1pW <sup>6)</sup>	0
Luftschallemissionen Schleudern dB(A) re 1pW <sup>6)</sup>	0

<sup>1)</sup> Die Angaben beziehen sich auf die Standardprogramme 60° C Baumwolle, volle und teilweise Beladung sowie 40° C Baumwolle teilweise Beladung. Diese Programme eignen sich für normal verschmutzte Wäsche und sind die effizientesten Programme in Bezug auf den kombinierten Energie- und Wasserverbrauch. Unter teilweiser Beladung versteht man halbe Beladung.

<sup>2)</sup> Angabe auf Grundlage von 220 Standard-Waschzyklen für 60 °C- und 40 °C- Baumwollprogramme bei vollständiger Befüllung und Teilbefüllung sowie dem Verbrauch der Betriebsarten mit geringer Leistungsaufnahme. Der tatsächliche Energieverbrauch hängt von der Art der Nutzung des Geräts ab

<sup>3)</sup> Angabe auf Grundlage von 220 Standard-Waschzyklen für 60 °C- und 40 °C- Baumwollprogramme bei vollständiger Befüllung und Teilbefüllung. Der tatsächliche Wasserverbrauch hängt von der Art der Nutzung des Geräts ab.

<sup>4)</sup> Für Programme Standard 60° Baumwolle bei ganzer und teilweiser Beladung oder für 40° Baumwolle bei teilweiser Beladung . Angabe des jeweils niedrigeren Wertes.

<sup>5)</sup> Für Programme Standard 60° Baumwolle bei ganzer und teilweiser Beladung oder für 40° Baumwolle bei teilweiser Beladung . Angabe des jeweils höheren Wertes.

<sup>6)</sup> Gemessen am Programme Standard 60° Baumwolle Vollast.

Indesit Company Spa  
 Viale Aristide Merloni, 47  
 60044 Fabriano (AN)  
 Italy  
[www.hotpoint.eu](http://www.hotpoint.eu)