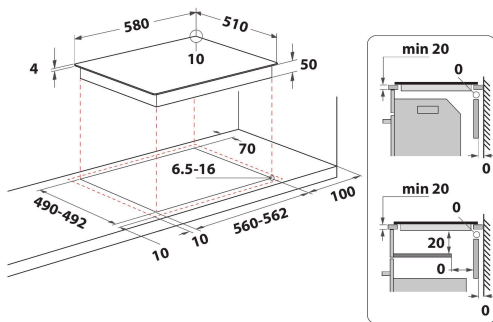
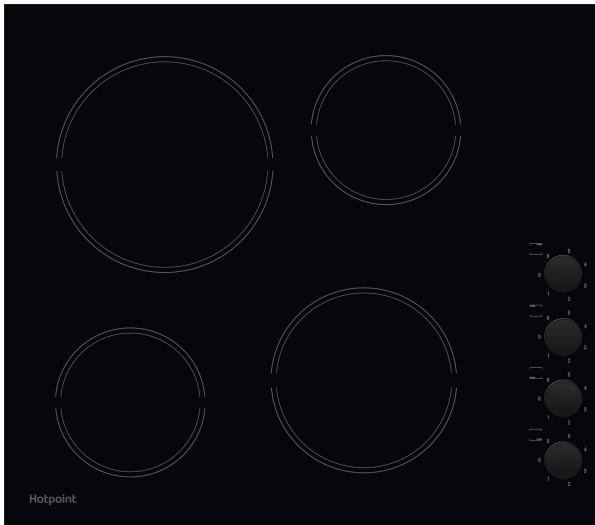


HR 619 C H

12NC: F104330

GTIN (EAN) code: 5054645043309

Hotpoint



MAIN FEATURES

| | |
|---------------------------------------|---------------|
| Product group | Hob |
| Construction type | Built-in |
| Type of control | Mechanical |
| Type of control settings | - |
| Number of gas burners | 0 |
| Number of electric cooking zones | 4 |
| Number of electric plates | 0 |
| Number of radiant plates | 4 |
| Number of halogen plates | 0 |
| Number of induction plates | 0 |
| Number of electric warming zones | 0 |
| Location of control panel | Lateral |
| Basic surface material | Ceramic Glass |
| Main colour of product | Black |
| Electrical connection rating (W) | 6200 |
| Gas connection rating (W) | 0 |
| Gas type | N/A |
| Current (A) | 27 |
| Voltage (V) | 230 |
| Frequency (Hz) | 50/60 |
| Length of Electrical Supply Cord (cm) | 120 |
| Plug type | No |
| Gas connection | N/A |
| Width of the product | 580 |
| Height of the product | 50 |
| Depth of the product | 510 |
| Minimum niche height | 40 |
| Minimum niche width | 560 |
| Niche depth | 490 |
| Net weight (kg) | 8.5 |
| Automatic programmes | No |

TECHNICAL FEATURES

| | |
|-------------------------|---------|
| Power on indicator | Yes |
| Number of indicators | 1 |
| Type of regulation | Radiant |
| Type of lid | Without |
| Residual heat indicator | Without |
| Main on/off switch | No |
| Safety device | - |
| Timer | No |

PERFORMANCES

| | |
|--------------|----------|
| Energy input | Electric |
|--------------|----------|