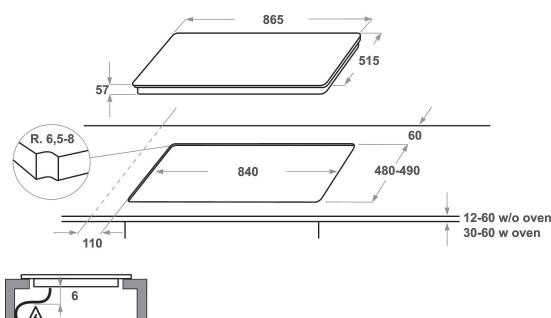
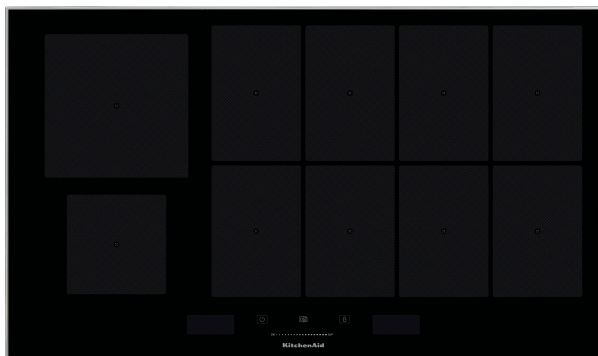


# KHIAS 10900

12NC: 859991548310

GTIN (EAN) code: 8003437232299

**KitchenAid**



## MAIN FEATURES

Product group	Hob
Construction type	Built-in
Type of control	Electronic
Type of control settings	-
Number of gas burners	0
Number of electric cooking zones	6
Number of electric plates	0
Number of radiant plates	0
Number of halogen plates	0
Number of induction plates	10
Number of electric warming zones	0
Location of control panel	Front
Basic surface material	Ceramic Glass
Main colour of product	Black
Electrical connection rating (W)	11000
Gas connection rating (W)	0
Gas type	N/A
Current (A)	46,5
Voltage (V)	380-415
Frequency (Hz)	50/60
Length of Electrical Supply Cord (cm)	170
Plug type	No
Gas connection	N/A
Width of the product	865
Height of the product	57
Depth of the product	515
Minimum niche height	30
Minimum niche width	840
Niche depth	490
Net weight (kg)	22.6
Automatic programmes	Yes

## TECHNICAL FEATURES

Power on indicator	Yes
Number of indicators	6
Type of regulation	Induction
Type of lid	Without
Residual heat indicator	Separate
Main on/off switch	Yes
Safety device	-
Timer	Yes

## PERFORMANCES

Energy input	Electric
--------------	----------