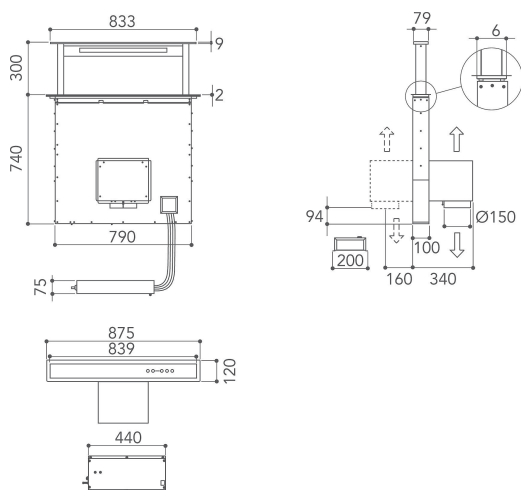


# KEBDS 90020

12NC: 851347801100

GTIN (EAN) code 8003437221613

**KitchenAid**



## MAIN FEATURES

Product group	Hood
Colour body	Inox
Material body	Stainless steel antifinger print
Colour chimney	N/A
Material chimney	N/A
Typology	Manual
Installation type	Built-in
Type of control	Electronic
Type of control settings	-
Decor panel options	N/A
Motor location	External motor
Operating Mode	Convertible
Electrical connection rating (W)	289
Current (A)	1,3
Voltage (V)	220-240
Frequency (Hz)	50/60
Length of Electrical Supply Cord (cm)	150
Plug type	Schuko
Chimney height (mm)	0
Height of product, without chimney (mm)	740
Height of the product	740
Width of the product	875
Depth of the product	120
Minimum niche height	0
Minimum niche width	0
Niche depth	0
Net weight (kg)	37

## TECHNICAL FEATURES

Type of manual control devices	Capacitive touch control
Type of automatic control devices	-
Number of motors	1
Total power of the motors (W)	275
Number of speed settings: boost option availability	4
Boost presence	Yes
Maximum output air extraction (m <sup>3</sup> /h)	713
Boost position air extraction (m <sup>3</sup> /h)	713
Maximum output recirculating air (m <sup>3</sup> /h)	581
Boost position output recirculating (m <sup>3</sup> /h)	581
Light Control Type	On/Off
Number of lights	1
Type of lamps used	Fluorescent
Total power of the lamps (W)	14
Diameter of air outlet (mm)	200
No-return airflow flap	No
Grease filter material	Washable aluminium
Odour filter	Yes

## PERFORMANCES

Sound power at min. speed (2010/30/EU)	37
Sound power at max. speed (2010/30/EU)	60
Noise level with boost position (dB(A) re 1 pW)	0