


Instructions for use

KitchenAid

Protecting the environment	4
Important safety instructions	5
Before using the warming drawer	6
Fitting the appliance (depending on the model)	6
Electrical connection	9
Maintenance and cleaning	10
Troubleshooting guide	11
After-Sales Service	11

Protecting the environment

Disposal of packing

- The packing material is 100% recyclable and is marked with the recycle symbol .
- Therefore the various parts of the packing must not be dispersed in the environment, but disposed of in compliance with the local regulations.

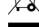


Disposal of old electrical appliances

- This appliance is marked in conformity with European Directive 2012/19/UE on Waste Electrical and Electronic Equipment (WEEE).

By ensuring that this product is properly disposed of, the user can help prevent potentially harmful consequences for the environment and human health.




The symbol  on the appliance or accompanying documentation indicates that this product should not be treated as household waste but must be taken to a suitable collection point for the recycling of WEEE.

For further information on the treatment, recovery and recycling of this appliance, contact the competent local authority, the household waste collection service or the shop where the product was purchased.


Important safety instructions


YOUR SAFETY AND THAT OF OTHERS IS VERY IMPORTANT.

This manual and the appliance itself provide important safety messages, to be read and observed at all times.

 This is the safety alert symbol, warning of potential risks for the user and for others.

All safety messages will be preceded by the alert symbol and the following words:

 **DANGER:** Indicates a hazardous situation which, if not avoided, will cause serious injury.

 **ATTENTION:** Indicates a hazardous situation which, if not avoided, could cause serious injury.

All safety messages specify the potential hazard/warning to which they refer and indicate how to reduce the risk of injury, damage and electric shocks resulting from incorrect use of the appliance. Make sure to comply with the following indications:

ATTENTION:

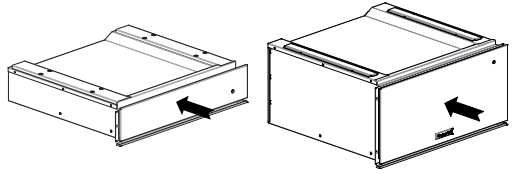
- The warming drawer must not be used by children or infirm persons without supervision.
- Make sure children do not play with the appliance, as they could accidentally press the On button, thereby activating the dish warming drawer: danger of scalding.
- Accessible parts of the warming drawer can become hot during use, therefore keep children away from the appliance.
- Do not use abrasive materials or substances to clean the GLASS.
- The warming drawer is designed exclusively for household use to warm dishes. No other use is allowed. The Manufacturer declines any liability for uses different from those specified or for incorrect setting of the controls.
- Any repairs or maintenance must only be carried out by a qualified technician.
- Make sure the appliance is properly fixed to the cabinet with the appropriate screws supplied.
- Avoid exposure of the warming drawer to atmospheric agents.
- Do not lean or sit on the open drawer, otherwise the telescopic carriage will become damaged.
- The max. load capacity of the drawer is 25 kg.
- Do not cover the bottom of the warming drawer with aluminum foil or other materials.
- Do not pour water directly into the warming drawer.
- Dragging dishes in the warming drawer can scratch the bottom.
- If the tempered glass surface breaks or cracks due to a violent impact (falling objects, etc.), do not use it: contact the After-Sales Service immediately.
- Residual condensate could eventually damage the warming drawer and surrounding cabinets. It is advisable to:
 - dry the wet parts when the warming drawer is cool.
- Do not touch the warming drawer with wet parts of the body and do not use it when barefoot.
- Do not pull the power cable to unplug it.
- Keep children away from the product and the packing materials, to avoid interaction with them, if not properly supervised.
- Make sure the electrical cables of other appliances used near the warming drawer do not come into contact with its hot parts.
- Do not store plastic or flammable objects in the warming drawer. When operating the appliance, such objects can melt or catch fire.
- To remove the dishes, use suitable gloves.
- Never insert anything (e.g. screwdrivers, pointed objects, paper, etc.) through the openings of the heating element and fan protection grilles.
- This appliance must not be used by people (including children) with reduced physical, sensory or mental capabilities, or by inexperienced users, unless they have been adequately trained in this regard by a person responsible for their safety.

Before using the warming drawer

To open and close the drawer, push the middle of the panel as shown in the figure.

At first use, clean the appliance as follows:

- clean the surface with a damp cloth and then dry.
- Preheat the empty drawer for at least two hours: turn the temperature knob to maximum or select the maximum temperature, to eliminate any residuals of fat, oil or manufacturing resins that can create unpleasant odors during the warming of dishes. Air the room.
- After completing these operations, the appliance is ready for first use.
- Before use, remove:
 - stickers placed on the front and door of the warming drawer, except the rating plate;
 - all the cardboard protection or plastic film from all aesthetic and other parts, on the outside and inside the appliance;
 - any stickers from accessories when present.



Fitting the appliance (depending on the model)

Safety instructions for fitting the drawer

IMPORTANT: The drawer (applicable for both models) must be immediately fixed to the cabinet, complying with the following instructions. The coupled appliance cannot be installed before fixing the drawer to the cabinet.

This appliance must only be fitted and installed by qualified personnel who ensure conditions for its safe use.

Fix the drawer as shown in the figure (depending on the model)

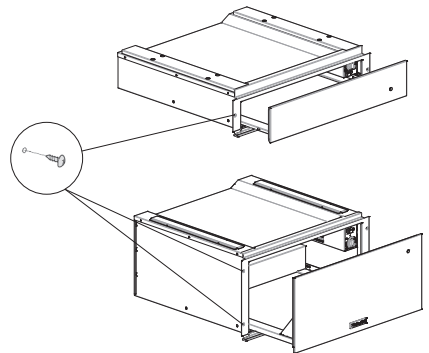
Before electrically connecting the appliance, make sure the rating plate data matches the mains power supply, otherwise the appliance could become damaged.

Make sure the connection to the power supply is easily accessible after the appliance has been fitted.

The dish warmer can only be fitted in combination with other appliances not weighing more than 60 kg and provided with adequate cooling ventilation.

To install the appliance that can be combined with the dish warmer, follow the instructions given in the relevant use and installation handbook.

Important: The coffee maker or combi microwave oven of the same brand and sized as shown on the following page, can be installed above the dish warmer. For installation, carefully follow the directions given in the instruction handbooks supplied with the coffee maker and the combi microwave oven.

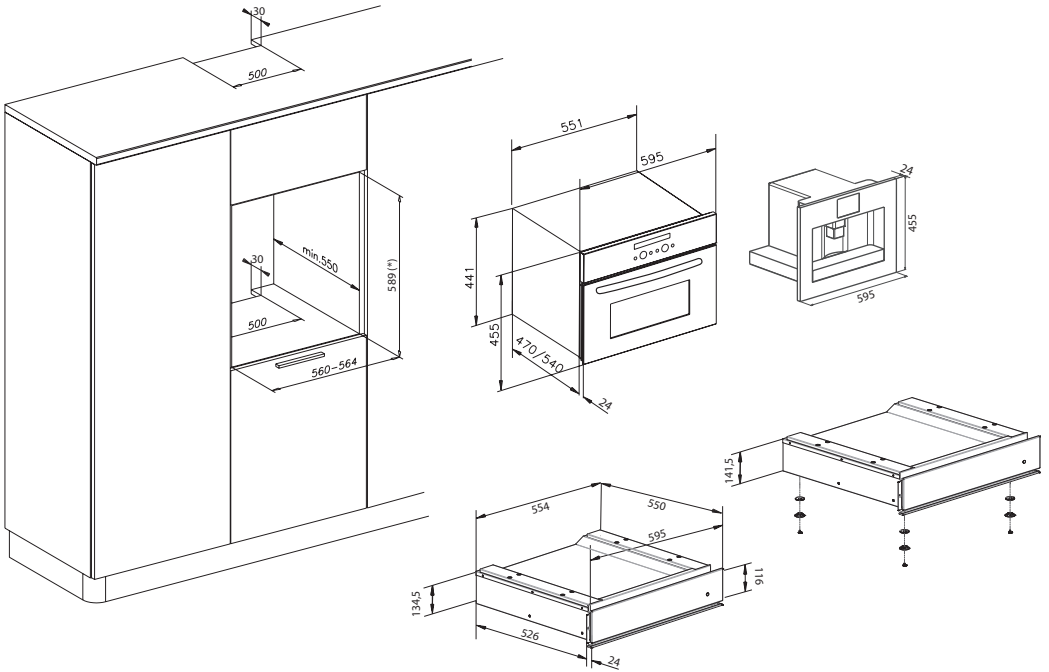


Fitting dimensions

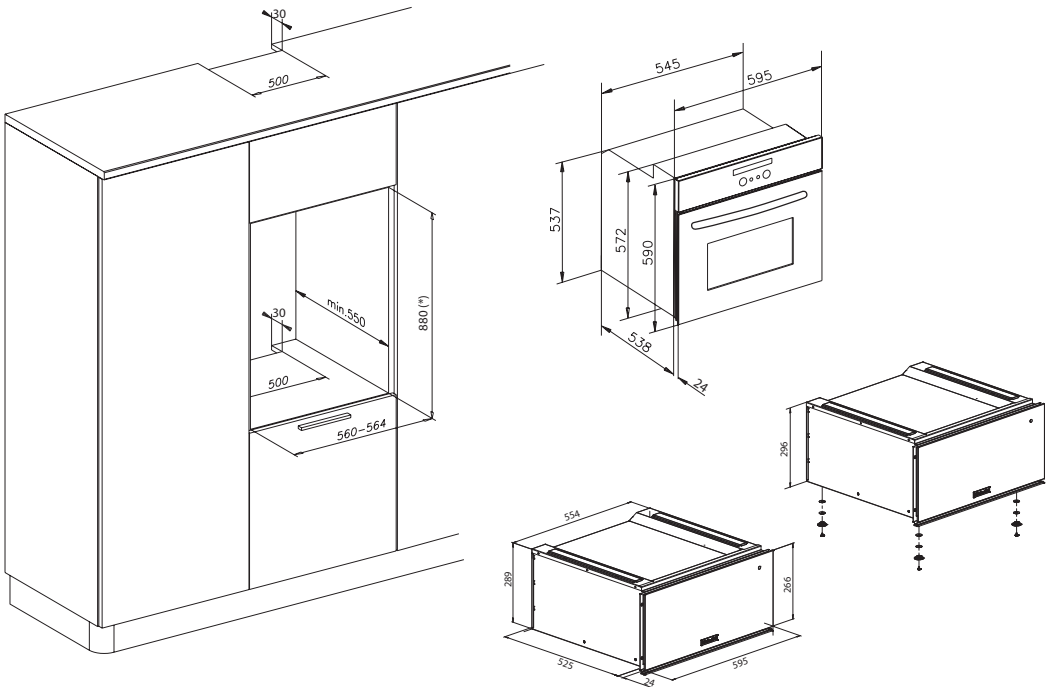
The size of the recess is obtained from the size of the dish warmer plus the size of the appliance combined with it. All measurements are in mm.

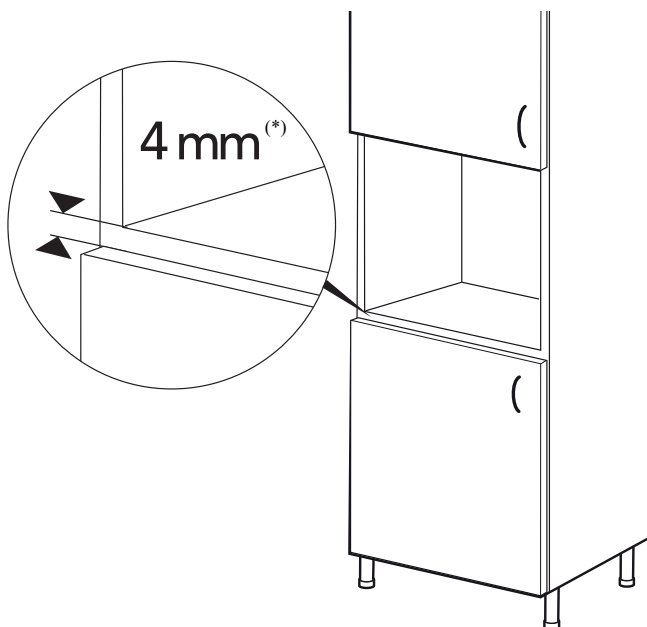
Fitting the appliance (depending on the model)

Height 140 mm

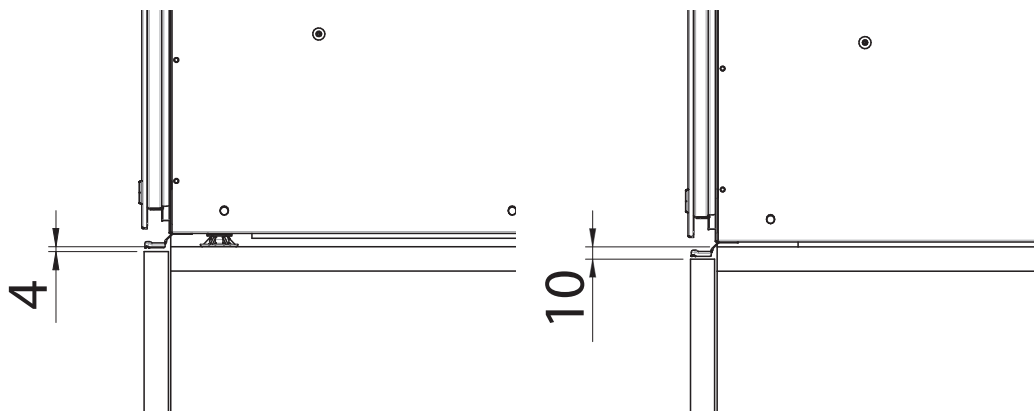


Height 290 mm





(*) If the cabinet has a door at minimum distance of 4mm from the support surface, add the feet and relative 1mm washers, supplied in the packaging, on the bottom.



Electrical connection

Contact a qualified technician to carry out the appliance electrical connection.

⚠ ATTENTION:

before connecting the warming drawer to the household electrical system to check its operation, always make sure the drawer power cable is correctly fitted and that it is NOT pinched or caught under or behind the drawer or any coupled appliance.

⚠ ATTENTION:

power cable replacement must be done by the After-Sales Service or a qualified technician, with a cable having the same characteristics as the one provided by the manufacturer (H05RR-F 3x0.75 mm² or higher).

Before electrically connecting the appliance, make sure the mains power supply matches the rating plate data.

If in doubt, contact a qualified technician.

Contact a qualified technician familiar with the local regulations and the additional regulations issued by the local utility company, and that the work is carried out in compliance with the same.

Important: Make sure the appliance is connected to an approved ground wire, to ensure electrical safety. If necessary, have the system checked by a specialized technician. The manufacturer declines any liability in case of injury or damage resulting from the lack of or disconnection of the ground wire.

⚠ ATTENTION:

The ground connection is compulsory by law.

The appliance is designed to be used only when correctly fitted.

Never open the appliance enclosure. In case of contact with live wires or if the electrical and mechanical structure is changed, malfunctioning of the appliance may occur when in use.

If installation, maintenance or repairs are not carried out correctly, there can be risks for the user.

The manufacturer declines any liability for such damage or injury.

During the warranty period, repairs must only be carried out by the authorized technical service, otherwise the warranty right is lost.

Installation, repair work and cleaning should be done only after making sure the appliance is disconnected from the power supply.

The appliance is disconnected from the power supply in the following cases:

- operating the main electrical system omnipolar switch.
- operating the main electrical system safety switch.

For connection to the power supply, a separation device for each pole must be arranged by the installer.

Separation devices are switches with contact gap of at least 3 mm.

The data necessary for the connection is given on the rating plate. This data must match that of the power supply.

The manufacturer declines any liability in case of injury or damage resulting from incorrect installation, improper or incorrect use of the appliance.

The manufacturer also declines any liability for damage (e.g. electric shock) caused by the lack of or disconnection of the ground wire.

The following cables can be used with this type of appliance:

TYPES AND MINIMUM DIAMETER OF CABLES	
	SASO
H05RR-F 3x0.75 mm ²	H05RR-F 3x1.5 mm ²
H05VV-F 3x0.75 mm ²	H05VV-F 3x1.5 mm ²
H05RN-F 3x0.75 mm ²	H05RN-F 3x1.5 mm ²
H05V2V2-F 3x0.75 mm ²	H05V2V2-F 3x1.5 mm ²

Maintenance and cleaning

ATTENTION:

never using steam cleaners.

Important: Do not use detergents containing soda, acids or chlorides, abrasive detergents (powder or cream), abrasive sponges (e.g. scouring pads) or sponges containing residuals of abrasive detergents, detergents that dissolve scale, dishwasher detergents, oven sprays.

Warming drawer exterior

- Clean with a damp cloth. If very dirty, add a few drops of washing up liquid to the water. Dry with a dry cloth.
- Do not use corrosive or abrasive detergents, otherwise dull areas will form. If one of these products accidentally comes into contact with the warming drawer, clean it immediately with a damp cloth.
- Slight differences in color on the front of the appliance are due to the use of different materials, such as glass, plastic and metal.

Tempered glass drawer base

It is advisable to clean the bottom of the drawer after each use, making sure to let it cool. This will prevent the build-up of dirt and make cleaning easier.

- Use a clean cloth, paper towels and washing up liquid, or specific products for cleaning the tempered glass.
- Do not use abrasive products, bleach, oven cleaner spray or metallic scouring pads.

Troubleshooting guide

If the dishes are not warm enough, check that:

- the appliance is switched on
- the right temperature has been set
- ventilation openings are not covered by plates or large bowls
- the dishes were not heated long enough.
- the mains switch has not been turned off.

Different factors affect the warming time, for example:

- material and thickness of the dishes, the load and its arrangement, temperature setting.
- The optimum times for warming dishes vary, therefore it is advisable to do tests to establish them according to needs.

After-Sales Service

Before contacting the After-Sales Service:

1. See if you can solve the problem yourself with the help of the “Troubleshooting guide”.
2. Switch the appliance off and then on again to see if the problem has been eliminated.

For the following problems, contact a qualified technician or the After-Sales Service:

If the dishes do not get warm:

- the electrical power cable could be disconnected or damaged.

If the dishes get too hot:

- the temperature controller could be faulty.

The On/Off switch does not activate when the appliance is turned on:

- the switch control indicator is faulty.

If the problem persists after the above checks, contact the nearest After-Sales Service. For a list of authorized Service Centers, contact our call center free of charge at the number: 00800-3810-4026.

Always specify:

- a brief description of the fault;
- the warming drawer type and exact model;
- the Service number (the number after the word Service on the data plate), located on the outer right edge of the drawer runner. The Service number is also given in the warranty booklet;

- your full address;
- your telephone number.

SERVICE 0000 000 00000



If any repairs are required, contact an **authorized After-Sales Technical Service** (to guarantee the use of original spare parts and correct repair).

Failure to comply with these instructions can compromise the safety and quality of the product.

ECO DESIGN DECLARATION

This appliance meets the eco design requirements of European regulations n. 65/2014 and n. 66/2014 in conformity to the European standard EN 60350-1.



FOR THE WAY IT'S MADE.

Printed in Italy

Q 10/16

400010903068

EN