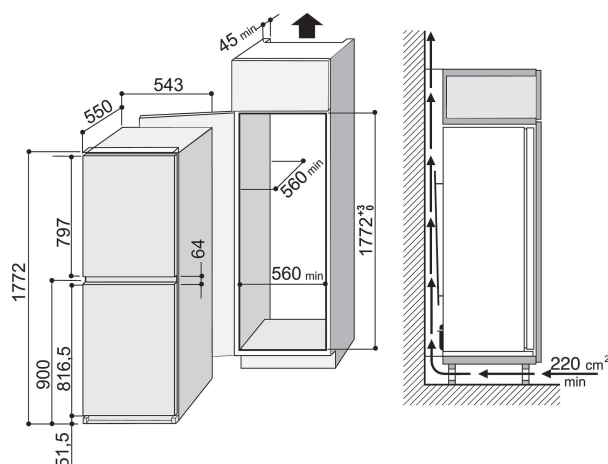


IN C 325 FF.1

12NC: F155553

GTIN (EAN) code: 805014755538

INDESIT
Life proof.



MAIN FEATURES

Product group	Fridge/freezer combination
Installation type	Free-standing
Type of control	Mechanical
Construction type	built-in
Main colour of product	White
Electrical connection rating (W)	0
Current (A)	0,5
Voltage (V)	220-240
Frequency (Hz)	50
Number of compressors	1
Length of Electrical Supply Cord (cm)	220
Plug type	UK
Total unit net capacity (l)	223
Star Rating	4
Height of the product	1740
Width of the product	545
Depth of the product	580
Maximum adjustability feet	0
Net weight (kg)	56

TECHNICAL FEATURES

Defrost process fridge section	Automatic
Defrost process freezer section	Frost-free
Fast cooling possibility	No
Fast freezing function	Yes
Door opened indicator freezer	No
Temperature adjustable	Yes
Temperature adjustable freezer	No
Interior ventilator fridge section	No
Number of freezing drawers	4
Automatic motor-driven ice-maker	N/A
Number of shelves in fridge compartment	3
Material of the shelves	Glass
Thermometer fridge section	None
Thermometer freezer section	None
Number of temperature zones	N/A

PERFORMANCES

Energy efficiency class - NEW (2010/30/EU)	A+
Energy consumption annual (kWh/annum) - NEW (2010/30/EU)	288
Refrigerator Net capacity (l) - NEW (2010/30/EU)	147
Freezer Net capacity (l) - NEW (2010/30/EU)	76
Freezing capacity (kg/24h) - NEW (2010/30/EU)	3.5
Climate class	SN-N-ST-T
Noise level (dB(A) re 1 pW)	42
Frost free system	Fridge and freezer