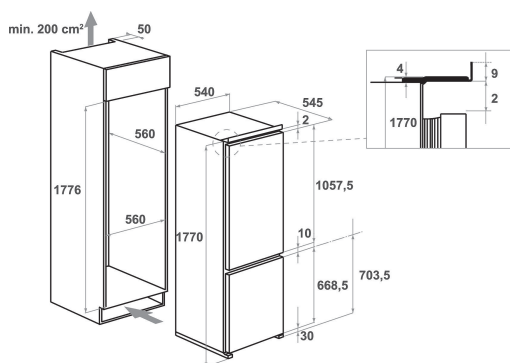


# KCBCS 18600.1 (UK)

12NC: 859991555800

GTIN (EAN) code: 8003437042737

**KitchenAid**



## MAIN FEATURES

Product group	Fridge/freezer combination
Installation type	Built-in
Type of control	Electronic
Construction type	built-in
Main colour of product	White
Electrical connection rating (W)	160
Current (A)	13
Voltage (V)	220-240
Frequency (Hz)	50
Number of compressors	1
Length of Electrical Supply Cord (cm)	200
Plug type	UK
Total unit net capacity (l)	258
Star Rating	4
Height of the product	1770
Width of the product	540
Depth of the product	545
Maximum adjustability feet	0
Net weight (kg)	59.2

## TECHNICAL FEATURES

Defrost process fridge section	Automatic
Defrost process freezer section	Frost-free
Fast cooling possibility	No
Fast freezing function	Yes
Door opened indicator freezer	Yes
Temperature adjustable	Yes
Temperature adjustable freezer	Yes
Interior ventilator fridge section	Yes
Number of freezing drawers	3
Automatic motor-driven ice-maker	No
Number of shelves in fridge compartment	N/A
Material of the shelves	Glass
Thermometer fridge section	None
Thermometer freezer section	None
Number of temperature zones	1

## PERFORMANCES

Energy efficiency class - NEW (2010/30/EU)	A+
Energy consumption annual (kWh/annum) - NEW (2010/30/EU)	294
Refrigerator Net capacity (l) - NEW (2010/30/EU)	195
Freezer Net capacity (l) - NEW (2010/30/EU)	63
Freezing capacity (kg/24h) - NEW (2010/30/EU)	9
Climate class	SN-T
Noise level (dB(A) re 1 pW)	38
Frost free system	Freezer