

# WIO 3033 PLE S UK

12NC: 859991601800

GTIN (EAN) code: 8003437610714

Whirlpool

SENSING THE DIFFERENCE



## Whirlpool integrated dishwasher: inox color, full size - WIO 3033 PLE S UK

This Whirlpool integrated Dishwasher features: inox color. Outstanding A+++ energy rating, for reduced energy consumption. Adjustable feet, for perfect stability on uneven floors and surfaces. Innovative technology ensuring extra silent performance, for a very quiet appliance. Superb cleaning performance, for ideal washing results.

### Modular Third rack

The third rack is perfect for accommodating cutlery and utensils and is equipped with sliding modules that allow to easily load higher items on the upper rack.

### Sliding hinges

This appliance includes sliding hinges, allowing you to install it in a kitchen with a low plinth, for added convenience and ease of use.

### Single rack washing option

Outstanding water efficiency. The single rack option allows you to wash a small number of dishes without having to wait to fill your Dishwasher. Enjoy perfect results and low water consumption.

### 14 Place Settings

All the space you need. This Whirlpool Dishwasher provides 14 versatile place settings, so you can enjoy all the space you need, always.

### Silent

Silent performance. Your Whirlpool Dishwasher is designed to provide ideal washing results, while ensuring the lowest possible noise output.

### 6th Sense

No prewash required. technology provides perfect washing results with no pre-washing, soaking or scrubbing by hand, while effectively reducing water consumption and costs.

### A+++ energy efficiency

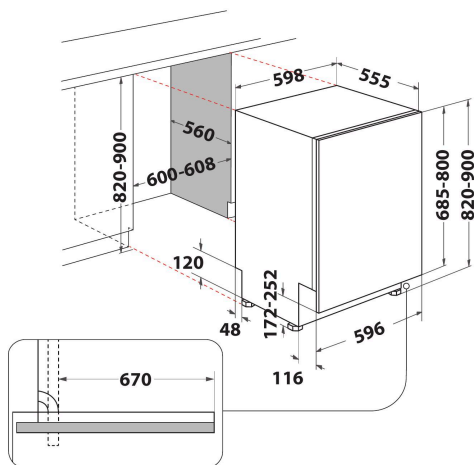
Outstanding energy efficiency. Your Dishwasher's A+++ energy rating ensures ideal results, combined with the lowest power consumption on the market.

### NaturalDry

The automatic door opening at the end of the program ensures better and more natural drying. This system guarantees higher energy efficiency and better drying results.

### Start Delay

Tailored for you. The Start Delay option allows you to set the Dishwasher to begin its cycle whenever most convenient for you, saving you both time and energy.



- Installation Type: Built-in
- Energy class A+++
- 14 place settings
- 6TH Sense Technology
- Noise level: 43 dB(A)
- 9.5 L per cycle (2660 L per year)
- PowerCleanPro
- PowerCleanPRO
- Third rack: Yes, flexible + handle inox
- Autoclean filter
- Start delay 1-12 h
- Silent
- FlexiSpace
- Adjustable upper rack
- Sliding hinges
- Multizone
- Tablet

# WIO 3033 PLE S UK

12NC: 859991601800

GTIN (EAN) code: 8003437610714

**Whirlpool**

SENSING THE DIFFERENCE

## MAIN FEATURES

Construction type	Built-in
Installation type	Full-integrated
Type of control	Electronic
Type of control settings	-
Removable work top	No
Door decor panel	N/A
Main colour of product	Inox
Electrical connection rating (W)	1900
Current (A)	13
Voltage (V)	220-240
Frequency (Hz)	50
Length of Electrical Supply Cord (cm)	130
Plug type	UK
Length inlet hose (cm)	155
Length outlet hose (cm)	150
Adjustable plinth	No
Height of removable worktop (mm)	0
Adjustable feet	Yes - all from front
Height of the product	820
Width of the product	598
Depth of the product	555
Depth with open door 90 degree (mm)	-
Minimum niche height	0
Maximum niche height	0
Minimum niche width	0
Maximum niche width	0
Niche depth	560
Net weight (kg)	35.5
Gross weight (kg)	37.5

## TECHNICAL FEATURES

Automatic programmes	Yes
Maximum temperature for water intake (°C)	60
Start delay options	Continuous
Start delay time max. (h)	12
Progress indicator	-
Digital countdown indicator	Yes
Salt light indicator	Yes
Rinse aid light indicator	Yes
Safety device	Yes
Adjustable upper basket	Yes
Largest loadable dish upper basket (cm)	0
Largest loadable dish lower basket (cm)	0
Number of place settings	14

## PERFORMANCES

Energy efficiency class - NEW (2010/30/EU)	A+++
Energy consumption annual (kWh/annum) - NEW (2010/30/EU)	238
Duration of the left-on mode - NEW (2010/30/EU)	12
Power consumption in left-on mode - NEW (2010/30/EU)	6
Power consumption in off-mode - NEW (2010/30/EU)	0.5
Water consumption annual (l/annum) - NEW (2010/30/EU)	2660
Noise level (dB(A) re 1 pW)	43

**ENERG** Y IJA  
енергия · ενέργεια IE IA

**WHIRLPOOL**  
WIO 3033 PLE S UK

**A+++**

**238**  
kWh/annum

**2660**  
L/annum

**43**  
dB

2010/1059