

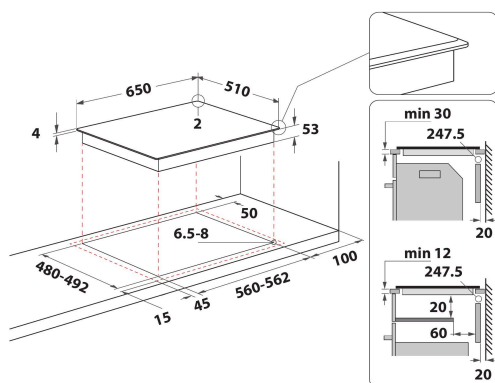
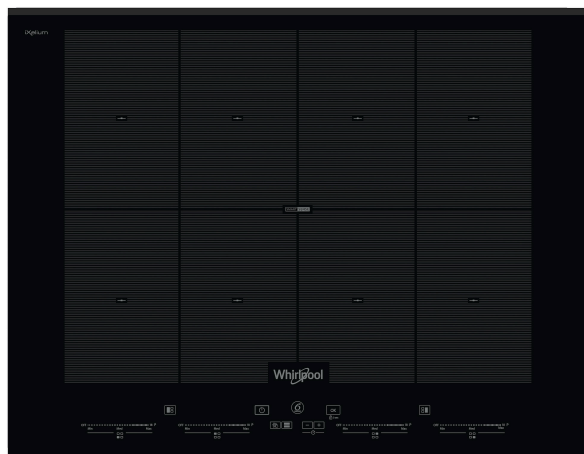
SMO 658C/BT/IXL

12NC: 859991043350

GTIN (EAN) code: 8003437207716

Whirlpool

SENSING THE DIFFERENCE



PÕHIOMADUSED

Product group	Hob
Construction type	Built-in
Type of control	Electronic
Type of control settings	-
Number of gas burners	0
Number of electric cooking zones	4
Number of electric plates	0
Number of radiant plates	0
Number of halogen plates	0
Number of induction plates	8
Number of electric warming zones	0
Location of control panel	Front
Basic surface material	Glass Ixellium
Main colour of product	Black
Electrical connection rating (W)	7400
Gas connection rating (W)	0
Gas type	N/A
Current (A)	32,2
Voltage (V)	230
Frequency (Hz)	50/60
Length of Electrical Supply Cord (cm)	150
Plug type	No
Gas connection	N/A
Width of the product	650
Height of the product	57
Depth of the product	510
Minimum niche height	30
Minimum niche width	560
Niche depth	480
Net weight (kg)	13.4
Automatic programmes	Yes

TEHNILISED OMADUSED

Power on indicator	Yes
Number of indicators	6
Type of regulation	Inductor
Type of lid	Without
Residual heat indicator	Separate
Main on/off switch	Yes
Safety device	-
Timer	Yes

ENERGIAMÄRGIS

Energy input	Electric
--------------	----------