

SAFETY INSTRUCTIONS

Download the complete instruction manual <http://docs.whirlpool.eu> or call the phone number shown on the warranty booklet.

⚠ These instructions are valid if the country symbol appears on the appliance. If the symbol doesn't appear on the appliance, it is necessary to refer to the technical instructions which will provide the necessary instructions concerning modification of the appliance to the conditions of use of the country.

⚠ CAUTION: The use of the gas cooking appliance results in the production of heat, moisture and products of combustion in the room in which it is installed. Ensure that the kitchen is well ventilated especially when the appliance is in use: keep natural ventilation holes open or install a mechanical ventilation device (mechanical extractor hood). Prolonged intensive use of the appliance may call for additional ventilation, such as opening a window, or more effective ventilation, for example increasing the level of mechanical ventilation (if possible).

⚠ Failure to follow the information in this manual exactly may cause a fire or explosion, resulting in property damage or personal injury.

Before using the appliance, read these safety instructions. Keep them nearby for future reference.

These instructions and the appliance itself provide important safety warnings, to be observed at all times. The manufacturer declines any liability for failure to observe these safety instructions, for inappropriate use of the appliance or incorrect setting of controls.

⚠ WARNING: If the hob surface is cracked, don't use the appliance – risk of electrical shock.

⚠ WARNING: Danger of fire: Do not store items on the cooking surfaces.

⚠ CAUTION: The cooking process has to be supervised. A short cooking process has to be supervised continuously.

⚠ WARNING: Unattended cooking on a hob with fat or oil can be dangerous – risk of fire. NEVER try to extinguish a fire with water, but switch off the appliance and then cover flame e.g. with a lid or a fire blanket.

⚠ Do not use the hob as a work surface or support. Keep clothes or other flammable materials away from the appliance, until all the components have cooled down completely – risk of fire.

⚠ Very young children (0-3 years) should be kept away from the appliance. Young children (3-8 years) should be kept away from the appliance unless continuously supervised. Children from 8 years old and above and persons with reduced physical, sensory or mental capabilities or lack of experience and knowledge can use this appliance only if they are supervised or have been given instructions on safe use and understand the hazards involved. Children must not play with the appliance. Cleaning and user maintenance must not be carried out by children without supervision.

IMPORTANT TO BE READ AND OBSERVED

⚠ CAUTION: In case of hotplate glass breakage: shut immediately off all burners and any electrical heating element and isolate the appliance from the power supply; do not touch the appliance surface; do not use the appliance.

The glass lid can break in if it is heated up. Turn off all the burners and the electric plates before closing the lid. Do not shout down lid when burner alight.

⚠ WARNING: The appliance and its accessible parts become hot during use. Care should be taken to avoid touching heating elements. Children less than 8 years of age must be kept away unless continuously supervised.

PERMITTED USE

⚠ CAUTION: the appliance is not intended to be operated by means of an external switching device, such as a timer, or separate remote controlled system.

⚠ This appliance is intended to be used in household and similar applications such as: staff kitchen areas in shops, offices and other working environments; farm houses; by clients in hotels, motels, bed & breakfast and other residential environments.

⚠ No other use is permitted (e.g. heating rooms).

⚠ This appliance is not for professional use. Do not use the appliance outdoors.

⚠ Use pots and pans with bottoms the same width as that of the burners or slightly larger (see specific table). Make sure pots on the grates do not protrude beyond the edge of the hob.

⚠ Improper use of the grids can result in damage to the hob: do not position the grids upside down or slide them across the hob.

Do not let the burner flame extend beyond the edge of the pan.

If the hob surface is in glass material, do not use the cast iron griddles, ollar stones, terracotta pots and pans.

Do not use: heat diffusers such as metal mesh, or any other types; two burners simultaneously for one receptacle (e.g. Fish kettle).

Should particular local conditions of the delivered gas make the ignition of burner difficult, it is advisable to repeat the operation with the knob turned to small flame setting.

In case of installation of a hood above the cooktop, please refer to the hood instructions for the correct distance.

The protective rubber feet on the grids represent a choking hazard for young children. After removing the grids, please ensure that all the feet are correctly fitted.

INSTALLATION

⚠ The appliance must be handled and installed by two or more persons - risk of injury. Use protective gloves to unpack and install - risk of cuts.

⚠ The electrical and gas connections must comply with local regulation.

⚠ Installation, including water supply (if any) and electrical connections, and repairs must be carried out by a qualified technician. Do not repair or replace any part of the appliance unless specifically stated in the user manual. Keep children away from the installation site. After unpacking the appliance, make sure that it has not been damaged during transport. In the event of problems, contact the dealer or your nearest After-sales Service. Once installed, packaging waste (plastic, styrofoam parts etc.) must be stored out of reach of

children - risk of suffocation. The appliance must be disconnected from the power supply before any installation operation - risk of electrical shock. During installation, make sure the appliance does not damage the power cable - risk of fire or electrical shock. Only activate the appliance when the installation has been completed.

⚠ **WARNING:** Modification of the appliance and its method of installation are essential in order to use the appliance safely and correctly in all the additional countries.

⚠ Use pressure regulators suitable for the gas pressure indicated in the instruction.

⚠ The room must be equipped with an air extraction system that expels any combustion fumes.

⚠ The room must also allow proper air circulation, as air is needed for combustion to occur normally. The flow of air must not be less than 2 m³/h per kW of installed power.

⚠ The air circulation system may take air directly from the outside by means of a pipe with an inner cross section of at least 100 cm²; the opening must not be vulnerable to any type of blockages.

⚠ The system can also provide the air needed for combustion indirectly, i.e. from adjacent rooms fitted with air circulation tubes as described above. However, these rooms must not be communal rooms, bedrooms or rooms that may present a fire hazard.

⚠ Liquid petroleum gas sinks to the floor as it is heavier than air. Therefore, rooms containing LPG cylinders must also be equipped with vents to allow gas to escape in the event of a leak. As a result LPG cylinders, whether partially or completely full, must not be installed or stored in rooms or storage areas that are below ground level (cellars, etc.). It is advisable to keep only the cylinder being used in the room, positioned so that it is not subject to heat produced by external sources (ovens, fireplaces, stoves, etc.) which could raise the temperature of the cylinder above 50°C.

Should you experience difficulty in turning the burners knobs, please contact After Sales Service for replacement of the burner tap if found to be faulty. The openings used for the ventilation and dispersion of heat must never be covered.

⚠ Carry out all cabinet cutting works before fitting the appliance in the furniture and remove all wood chips and sawdust.

⚠ If the appliance is not installed above an oven, a separator panel (not included) must be installed in the compartment under the appliance.

GAS CONNECTION

⚠ **WARNING:** Prior to installation, ensure that the local distribution conditions (type of gas and gas pressure) and the adjustment of the appliance are compatible.

⚠ Check that the pressure of the gas supply is consistent with the values indicated in "Burner and nozzle specifications" table.

⚠ **WARNING:** The configuration conditions for this appliance are stated on the label (or data plate).

⚠ **WARNING:** This appliance is not connected to a combustion products evacuation device. It must be installed and connected in accordance with current installation regulations. Particular attention must be paid to the relevant requirements regarding ventilation.

⚠ If the appliances is connected to liquid gas, the regulation screw must be fastened as tightly as possible.

⚠ **IMPORTANT:** When the gas cylinder or gas container is installed, it must be properly settled (vertical orientation).

⚠ **WARNING:** This operation must be performed by a qualified technician.

⚠ Use only flexible or rigid metal hose for gas connection.

⚠ Connection with a rigid pipe (copper or steel) Connection to the gas system must be carried out in

such a way as not to place any strain of any kind on the appliance. There is an adjustable L-shaped pipe fitting on the appliance supply ramp and this is fitted with a seal in order to prevent leaks. The seal must always be replaced after rotating the pipe fitting (the seal is provided with the appliance). The gas supply pipe fitting is a threaded 1/2 gas cylindrical male attachment.

⚠ Connecting a flexible jointless stainless steel pipe to a threaded attachment. The gas supply pipe fitting is a threaded 1/2 gas cylindrical male attachment. These pipes must be installed so that they are never longer than 2000 mm when fully extended. Once connection has been carried out, make sure that the flexible metal pipe does not touch any moving parts and is not compressed. Only use pipes and seals that comply with current National regulations.

⚠ **IMPORTANT:** If a stainless steel hose is used, it must be installed so as not to touch any mobile part of the furniture (e.g. drawer). It must pass through an area where there are no obstructions and where it is possible to inspect it on all its length.

⚠ The appliance should be connected to the main gas supply or to gas cylinder in compliance with the current national regulations. Before making the connection, make sure that the appliance is compatible with the gas supply you wish to use. If this is not the case, follow the instructions indicated in the paragraph "Adapting to different types of gas".

⚠ After connection to the gas supply, check for leaks with soapy water. Light up the burners and turn the knobs from maximum position 1* to minimum position 2* to check flame stability.

ADAPTING TO DIFFERENT TYPES OF GAS

(This operation needs to be carried out by a qualified technician).

⚠ In order to adapt the appliance to a type of gas other than the type for which it was manufactured (indicated on the rating label), follow the dedicated steps provided after installation drawings.

ELECTRICAL WARNINGS

⚠ **IMPORTANT:** Information about current and voltage consumption is provided on the rating plate.

⚠ It must be possible to disconnect the appliance from the power supply by unplugging it if plug is accessible, or by a multi-pole switch installed upstream of the socket in accordance with the wiring rules and the appliance must be earthed in conformity with national electrical safety standards.

⚠ The power cable must be long enough to connect the appliance, once fitted in its housing, to the main power supply. Do not pull the power supply cable.

⚠ Do not use extension leads, multiple sockets or adapters. The electrical components must not be accessible to the user after installation. Do not use the appliance when you are wet or barefoot. Do not operate this appliance if it has a damaged power cable or plug, if it is not working properly, or if it has been damaged or dropped.

⚠ If the supply cord is damaged, it must be replaced with an identical one by the manufacturer, its service agent or similarly qualified persons in order to avoid a hazard - risk of electrical shock.


CLEANING AND MAINTENANCE

⚠ **WARNING:** Ensure that the appliance is switched off and disconnected from the power supply before performing any maintenance operation; never use steam cleaning equipment - risk of electric shock.

⚠ Do not use abrasive or corrosive products, chlorine-based cleaners or pan scourers.

⚠ To avoid damaging the electric ignition device, do not use it when the burners are not in their housing.

DISPOSAL OF PACKAGING MATERIALS


The packaging material is 100% recyclable and is marked with the recycle symbol .

The various parts of the packaging must therefore be disposed of responsibly and in full compliance with local authority regulations governing waste disposal.

DISPOSAL OF HOUSEHOLD APPLIANCES

This appliance is manufactured with recyclable or reusable materials. Dispose of it in accordance with local waste disposal regulations. For further information on the treatment, recovery and recycling of household electrical appliances, contact your local authority, the collection service for household waste or the store where you purchased the appliance. This appliance is marked in compliance with European Directive 2012/19/EU, Waste Electrical and Electronic Equipment (WEEE) and with the Waste Electrical and Electronic Equipment regulations 2013 (as amended).

By ensuring this product is disposed of correctly, you will help prevent negative consequences for the environment and human health.

The symbol  on the product or on the accompanying documentation indicates that it should not be treated as domestic waste but must be taken to an appropriate collection center for the recycling of electrical and electronic equipment.

ENERGY SAVING TIPS

Use pots and pans with bottom width equal to that of the cooking zone.

Only use flat-bottomed pots and pans.

When possible, keep pot lids on during cooking.

Use a pressure cooker to save even more energy and time.

DECLARATION OF CONFORMITY

This appliance meets Ecodesign requirements of European Regulation 66/2014 and The Ecodesign for Energy-Related Products and Energy Information (Amendment) (EU Exit) Regulations 2019 in compliance with the European standard EN 30-2-1.

BURNER AND NOZZLE SPECIFICATIONS
CATEGORY II2H3+

Type of gas used	Type of burner	Injector marking	Rated thermal flow rate kW	Rated consumption	Reduced heat capacity kW	Gas pressure mbar		
						min.	rat.	max.
NATURAL GAS (Methane) G20	Semi-rapid (SR)	97 A	1,65	157 l/h	0,40	17	20	25
	Auxiliary (AUX)	78 A	1,00	95 l/h	0,40			
	2 Ring (DC)	140 H1	3,50	333 l/h	2,20			
LIQUEFIED PETROLEUM GAS (Butane) G30	Semi-rapid (SR)	66 A	1,65	120 g/h	0,40	20	28-30	35
	Auxiliary (AUX)	50	1,00	73 g/h	0,40			
	2 Ring (DC)	91	3,30	240 g/h	2,20			
LIQUEFIED PETROLEUM GAS (Propane) G31	Semi-rapid (SR)	66 A	1,65	118 g/h	0,40	25	37	45
	Auxiliary (AUX)	50	1,00	71 g/h	0,40			
	2 Ring (DC)	91	3,30	236 g/h	2,20			

Type of gas used	Model configuration 4 BURNERS	Rated thermal flowrate (kW)	Total rated consumption	Air required (m ³) for burning 1m ³ of gas
G20 20 mbar	2SR - 1AUX - 1DC	7,80	743 l/h	9,52
G30 28-30 mbar	2SR - 1AUX - 1DC	7,60	553 g/h	30,94
G31 37 mbar	2SR - 1AUX - 1DC	7,60	543 g/h	23,80

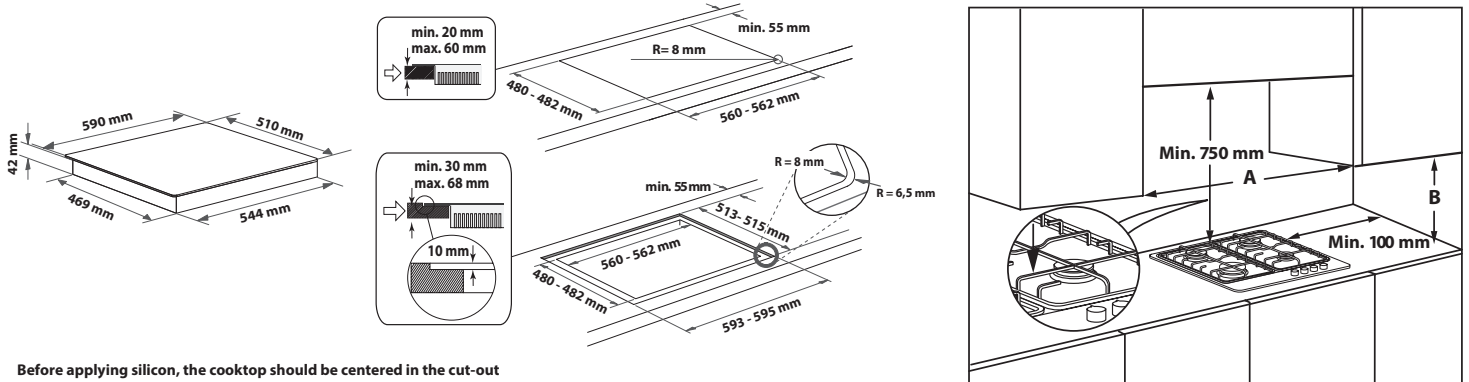
ELECTRIC SUPPLY: 220-240 V ~ 50-60 Hz - 1,1 W


INSTALLATION (CLASS 3)

TECHNICAL INFORMATION FOR THE INSTALLER

- Use protective gloves for handling, preparing and installing the product.
- This product can be embedded in a worktop 20 ÷ 60 mm thick with standard installation. For flush installation 30 ÷ 68 mm.
- If there is no oven beneath the hob, insert a separator panel that has a surface at least equal to the opening in the work surface. This panel must be positioned at a maximum distance of 150 mm below the upper surface of the work surface but, in no case less than 20 mm from the bottom of the hob. In the case that you intend to install an oven beneath the hob, make sure that it is equipped with a cooling system.

DIMENSIONS AND DISTANCES TO BE MAINTAINED



Before applying silicon, the cooktop should be centered in the cut-out

NOTE: if distance "A" between the kitchen cabinets is between 600 mm and 730 mm, height "B" must be at least 530 mm. If distance "A" between the kitchen cabinets is greater than the hob's width, height "B" must be at least 400 mm. If a hood is installed above the hob, refer to the hood's assembly instructions to see the necessary distance.

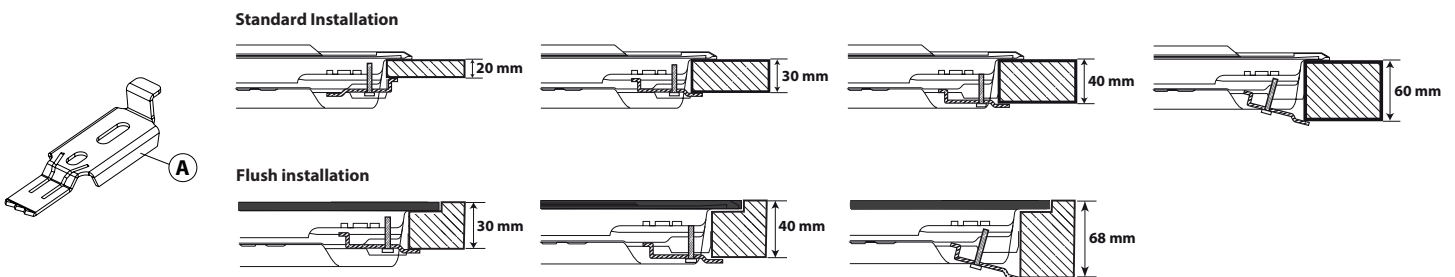
ASSEMBLY

After having cleaned the perimeter surface, apply the supplied gasket to the hob as shown in the figure.



Position the hob in the worktop opening made respecting the dimensions indicated in the Instruction.

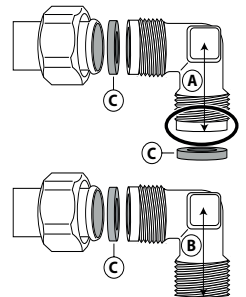
NOTE: the power supply cable must be long enough to permit its upward extraction.

To secure the hob, use the brackets (A) provided with it. Fit the brackets into the relevant bores shown by the arrow and fasten them by means of their screws in accordance with the thickness of the worktop (see the following figures).

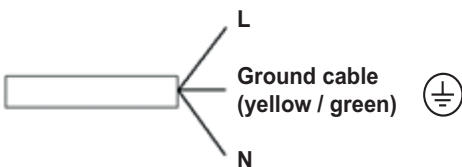


GAS CONNECTION

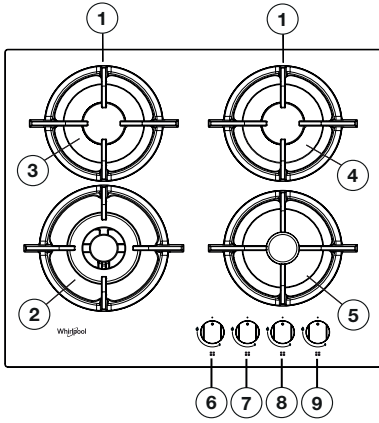
- Connect elbow (A)* or (B)* supplied with to the hob inlet main pipe and interpose the washer (C) supplied, in compliance with EN 549.
- * Use elbow (A) for France and elbow (B) for all other destinations.
- After connection to the gas supply, check for leaks with soapy water. Light up the burners and turn the knobs from maximum position  to minimum position  to check flame stability.



ELECTRICAL CONNECTION



PRODUCT DESCRIPTION



1. Removable panstand grids
2. 2 Ring burner
3. Semi-rapid burner
4. Semi-rapid burner
5. Auxiliary burner
6. 2 Ring burner control knob
7. Semi-rapid burner control knob
8. Semi-rapid burner control knob
9. Auxiliary burner control knob

Symbols

- Shaded circle ● Tap closed
- Large flame Maximum opening/delivery and electric ignition
- Small flame Minimum opening or reduced delivery



DAILY USE

HOW TO USE THE HOB

⚠ Do not let the burner flame extend beyond the edge of the pan.

IMPORTANT: when the hob is in use, the entire hob area may become hot.

- To ignite one of the burners, turn the relative knob anti-clockwise to the maximum flame setting.
- Press the knob against the control panel to ignite the burner.
- After the burner has ignited, keep the knob pressed for about 5-10 seconds to allow proper device operation.
- This burner safety device shuts off the gas supply to the burner if the flame goes out accidentally (because of sudden draught, an interruption in the gas delivery, boiling over liquids, etc.).
- **The knob must not be pressed for more than 15 sec. If, after that time has elapsed, the burner does not remain lit, wait at least one minute before trying to light it again.**

NOTE: should particular local conditions of the delivered gas make the ignition of burner difficult, it is advisable to repeat the operation with the knob turned to the small flame setting.

The burner might go out when the knob is released. This means that the safety device has not warmed up enough. In this case, repeat the operations described above.

If the burner flame is accidentally extinguished, switch off the burner control and do not try to ignite for at least 1 minute.

PRACTICAL ADVICE FOR USING THE BURNERS

This hob has burners of different diameters. For better burner performance, please stick to the following rules:

- use pots and pans with bottoms the same width as that of the burners or slightly larger (see table on the right);
- only use flat-bottomed pots and pans;
- use the correct amount of water for cooking foods and keep the pot covered;
- make sure pots on the grates do not protrude beyond the edge of the hob;
- In the case of pans with convex bottoms (WOK), use the support grille (not provided), which should be positioned only on the multi-ring burner;
- avoid accidentally knocking the hob with pans, racks or other kitchen utensils;
- do not leave empty steak grills over the lit burner for longer than 5 minutes.

IMPORTANT: improper use of the grids can damage the hob: do not position the grids upside down or slide them across the hob.

BURNER	POT Ø
2 Ring	From 24 to 26 cm
Semi-rapid	From 16 to 22 cm
Auxiliary	From 8 to 14 cm

Do not use:

- cast iron griddles, ollar stones, terracotta pots, and pans;
- heat diffusers such as metal mesh, or any other types;
- two burners simultaneously for one receptacle (e.g., fish kettle).

Liquids spilled on hot hob area can cause glass damage.

ADAPTING TO DIFFERENT TYPES OF GAS

⚠ This operation must be performed by a qualified technician.

If the appliance is intended to operate with a different gas from the gas type stated on the rating plate and information label on the top of the hob, change the injectors.

Remove the information label and keep it with the instructions booklet.

Use pressure regulators suitable for the gas pressure indicated in the Instruction:

- the gas injector must be changed by After Sales Service or a qualified technician;
- injector not supplied with the appliance must be ordered from After Sales Service;
- adjust the minimum setting of the taps.

NOTE: when liquid petroleum gas is used (G30/G31), the minimum gas setting screw must be tightened as far as it will go.

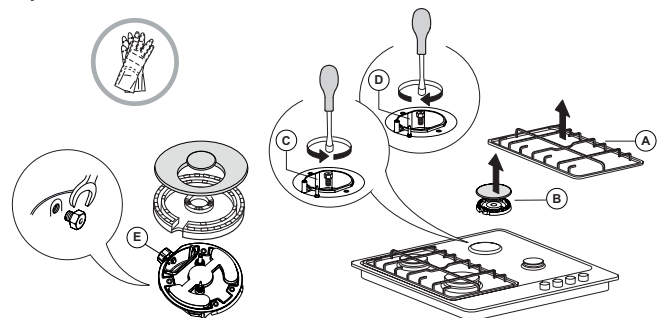
IMPORTANT: should you experience difficulty in turning the burners knobs, please contact the After Sales Service for the replacement of the burner tap if found to be faulty.

IMPORTANT: when gas cylinder is adopted, the gas cylinder or gas container must be properly settled (vertical orientation).

REPLACING THE INJECTORS (see the injector table in the Safety instructions)

⚠ This operation must be performed by a qualified technician.


- Remove grids (A).
- Extract burners (B).
- Using a socket spanner of the appropriate size unscrew the injector (C), to be replaced.
- Replace it with the injector suitable for the new type of gas.
- Re-assemble the injector in (D).
- If you have a multiple crown burner, use a side spanner to replace the injector (E).



Before installing the hob, remember to affix the gas calibration plate supplied with the injectors in such a way that it covers the existing information relating to gas calibration.

ADJUSTING MINIMUM GAS SETTING OF TAPS



! This operation must be performed by a qualified technician.

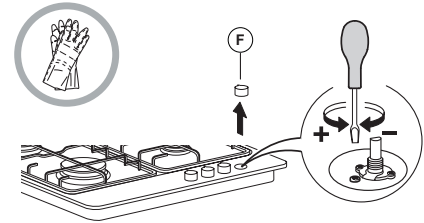
The adjustment must be performed with the tap in a minimum gas setting position  (small flame).

The primary air of the burners does not need to be adjusted.

To ensure that the minimum setting is correctly adjusted, remove the knob (F) and proceed as follows:

- tighten the screw to reduce the flame height (-);
- loosen the screw to increase the flame height (+).

At this stage, light up the burners and turn the knobs from maximum position  to minimum position  to check flame stability.



Upon completion of adjustment, reseal using sealing wax or an equivalent material.

MAINTENANCE AND CLEANING

! Disconnect the appliance from the power supply.

CLEANING THE HOB SURFACE

- All the enamelled and glass parts should be cleaned with warm water and a neutral solution.
- Stainless steel surfaces may be stained by calcareous water or aggressive detergents if left in contact for too long. Any food spills (water, sauce, coffee, etc.) should be wiped away before they dry.
- Clean with warm water and neutral detergent, and then dry with a soft cloth or chamois. Remove baked-on dirt with specific cleaners for stainless steel surfaces.

NOTE: clean stainless steel only with soft cloth or sponge.

- Do not use abrasive or corrosive products, chlorine-based cleaners or pan scourers.
- Do not use steam cleaning appliances.
- Do not use flammable products.
- Do not leave acid or alkaline substances, such as vinegar, mustard, salt, sugar or lemon juice on the hob.

CLEANING THE HOB PARTS

- Clean glass and enamelled parts only with soft cloth or sponge.
- Grids, burner caps and burners can be removed to be cleaned.
- Clean them by hand with warm water and non-abrasive detergent, removing any food residues and checking that none of the burner openings is clogged.
- Rinse and dry.
- **The cast-iron grates may be cleaned in the dishwasher. Remove any burnt-on food before placing the grates in the lowest rack in the dishwasher.**
- Refit burners and burner caps correctly in the respective housings.
- When replacing the grids, make sure that the panstand area is aligned with the burner.
- Models equipped with electrical ignition plugs and safety device require thorough cleaning of the plug end in order to ensure correct operation. Check these items frequently, and if necessary, clean them with a damp cloth. Any baked-on food should be removed with a toothpick or needle.

NOTE: to avoid damaging the electric ignition device, do not use it when the burners are not in their housing.

TROUBLESHOOTING

If the hob does not operate correctly, before calling the After-Sales Service, refer to the Troubleshooting Guide to determine the problem

1. The burner fails to ignite, or the flame is not even

Check that:

- the gas or electrical supplies are not shut off and especially that the gas supply tap is open;
- the gas cylinder (liquid gas) is not empty;
- the burner openings are not clogged;
- the plug end is not dirty;
- all the burner parts have been positioned correctly;
- there are no draughts near the hob.

2. The burner does not stay lit

Check that:

- when lighting the burner, the knob has been pressed for enough time to activate the protection device;
- the burner openings are not clogged near the thermocouple;
- the end of the safety device is not dirty;
- the minimum gas setting is correct (see relevant paragraph).

3. The containers are not stable

Check that:

- the bottom of the container is perfectly flat;
- the container is centred on the burner;
- the grids have not been exchanged or positioned incorrectly.

If after the above checks the fault still occurs, get in touch with the nearest After Sales Service.

AFTER-SALES SERVICE

In order to receive complete assistance, please register your product on www.whirlpool.eu/register.

BEFORE CALLING THE AFTER-SALES SERVICE:

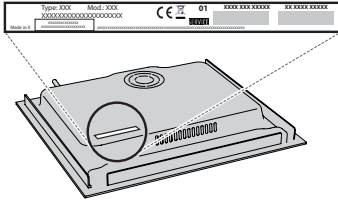
1. See if you can solve the problem by yourself with the help of the **TROUBLESHOOTING** suggestions.
2. Switch the appliance off and back on again to see if the fault persists.

IF AFTER THE ABOVE CHECKS THE FAULT STILL OCCURS, GET IN TOUCH WITH THE NEAREST AFTER-SALES SERVICE.

To receive assistance, call the number shown on the warranty booklet or follow the website's instructions on www.whirlpool.eu.

When contacting our Client After-sales service, always specify:

- a brief description of the fault;
- the type and exact model of the appliance;



- the serial number (number after the word SN on the rating plate located under the appliance). The serial number is also indicated in the documentation;



Mod. XXX XXX

Ind.C. XXXX XXXX XXXX

Prod.N. 86999XXXXXXXX S.N. XXXX XXXX XXXX

- your full address;
- your telephone number.

If any repairs are required, please contact an authorized after-sales service (to guarantee that original spare parts will be used and repairs carried out correctly).

WSKAZÓWKI DOTYCZĄCE BEZPIECZENSTWA

PRZECZYTAĆ I ŚCIŚLE PRZESTRZEGAĆ

Pobierz pełną instrukcję obsługi ze strony <http://docs.whirlpool.eu> lub zadzwoń na lokalny number telefonu podany w książeczce gwarancyjnej.

⚠ Niniejsze instrukcje obowiązują wyłącznie, jeśli na urządzeniu występuje oznaczenie danego kraju. Jeśli na urządzeniu brak tego oznaczenia, należy odnieść się do instrukcji technicznych, w których znajdują się niezbędne wskazówki w zakresie dostosowania urządzenia do warunków użytkowania w danym kraju.

⚠ **UWAGA:** Użytkowanie urządzenia do gotowania na gazie wiąże się z wytwarzaniem w pomieszczeniu, w którym jest ono zainstalowane, ciepła, wilgoci i pozostałych produktów spalania. Należy dopilnować, aby kuchnia była dobrze wentylowana, szczególnie w czasie użytkowania urządzenia: zadbać o drożność naturalnych otworów wentylacyjnych lub zamontować urządzenie do wentylacji mechanicznej (mechaniczny wyciąg kuchenny). Przedłużające się intensywne użytkowanie urządzenia może wymagać dodatkowej wentylacji, np. otwarcia okna, lub bardziej efektywnej wentylacji, np. zwiększenia poziomu wentylacji mechanicznej (jeśli to możliwe).

⚠ Nieprzestrzeganie dokładnie informacji zawartych w tej instrukcji może spowodować pożar lub wybuch, co może skutkować uszkodzeniem mienia lub obrażeniami ciała. Przed przystąpieniem do użytkowania urządzenia należy zapoznać się instrukcjami bezpieczeństwa. Przechowywać w podręcznym miejscu w celu korzystania z nich w przyszłości.

W instrukcji oraz na samym urządzeniu znajdują się ważne ostrzeżenia dotyczące bezpieczeństwa, których należy zawsze przestrzegać. Producent urządzenia nie ponosi odpowiedzialności za jakiegokolwiek szkody wynikłe z nieprzestrzegania niniejszej instrukcji bezpieczeństwa, nieprawidłowego użytkowania urządzenia lub niewłaściwego ustawienia elementów sterujących.

⚠ **OSTRZEŻENIE:** Jeśli powierzchnia płyty jest pęknięta, nie wolno używać urządzenia – ryzyko porażenia prądem.

⚠ **OSTRZEŻENIE:** Zagrożenie pożarem: na powierzchniach grzejnych nie należy przechowywać żadnych przedmiotów.

⚠ **OSTROŻNIE:** Proces gotowania musi być nadzorowany. Proces krótkiego gotowania musi być nadzorowany przez cały czas.

⚠ **OSTRZEŻENIE:** Pozostawienie urządzenia bez nadzoru podczas przyrządzania potraw z użyciem oleju i tłuszczu może spowodować zagrożenie i prowadzić do powstania pożaru. Pożaru NIGDY nie wolno gasić wodą! Należy wyłączyć urządzenie i przykryć ogień np. pokrywką lub kocem gaśniczym.

⚠ Nie używać płyty kuchennej jako powierzchni roboczej. Ścierki kuchenne i inne łatwopalne materiały powinny być przechowywane z dala od urządzenia, dopóki wszystkie jego podzespoły całkowicie nie ostygną – ryzyko pożaru.

⚠ Młodsze dzieci (0-3 lat) nie powinny przebywać w pobliżu urządzenia. Dzieci (3-8 lat) nie powinny przebywać w pobliżu urządzenia bez stałego nadzoru. Dzieci w wieku 8 lat i starsze, osoby o ograniczonej sprawności fizycznej, sensorycznej lub umysłowej oraz osoby bez odpowiedniego doświadczenia i wiedzy, mogą korzystać z urządzenia wyłącznie pod nadzorem lub po otrzymaniu odpowiednich instrukcji dotyczących bezpiecznego użytkowania urządzenia oraz pod warunkiem, że rozumieją zagrożenia związane z obsługą urządzenia. Dzieci nie mogą używać tego urządzenia do zabawy. Dzieci nie mogą czyścić ani konserwować urządzenia bez nadzoru.

⚠ **OSTROŻNIE:** W przypadku pęknięcia szklanej powierzchni płyty grzejnej natychmiast wyłączyć wszystkie palniki oraz elektryczne elementy grzejne i odłączyć urządzenie od zasilania; nie dotykać powierzchni urządzenia; nie korzystać z urządzenia. Szklana pokrywa może pęknąć, jeśli zostanie podgrzana. Należy wyłączyć wszystkie palniki oraz płyty elektryczne przed zamknięciem pokrywy. Nie zamykać pokrywy, jeśli palnik jest zapalony.

⚠ **OSTRZEŻENIE:** Urządzenie i jego łatwo dostępne części mogą nagrzewać się podczas pracy. Należy uważać, aby nie dotknąć elementów grzejnych. Dzieci do lat 8 nie mogą znajdować się w pobliżu urządzenia bez stałego nadzoru.

DOZWOLONE ZASTOSOWANIE
⚠ **OSTROŻNIE:** urządzenie nie zostało przeznaczone do obsługi za pomocą zewnętrznego urządzenia, np. timera, ani niezależnego systemu zdalnego sterowania.

⚠ To urządzenie jest przeznaczone do użytku w gospodarstwach domowych oraz do podobnych zastosowań takich jak: kuchnie dla pracowników w sklepach, biurach i innych środowiskach roboczych; gospodarstwa rolne; wykorzystanie przez klientów w hotelach, motelach oraz innych obiektach mieszkalnych.

⚠ Wszelkie inne zastosowania (np. ogrzewanie pomieszczeń) są zabronione.

⚠ To urządzenie nie jest przeznaczone do użytku przemysłowego. Urządzenia nie należy używać na zewnątrz.

⚠ Garnki lub patelnie powinny mieć średnicę dna równą lub nieco większą od palnika (patrz specjalna tabela). Upewnić się, że garnki postawione na ruszcie nie wystają poza krawędź płyty kuchennej.

⚠ Niewłaściwe użytkowanie rusztu może skutkować uszkodzeniem płyty kuchennej. Nie należy ustawiać rusztu do góry nogami lub przesuwać go po płycie kuchennej.

Nie dopuszczać, aby płomień palnika wychodził poza krawędź dna naczynia. Jeżeli powierzchnia płyty jest ze szkła, nie używać płyt żeliwnych, kamiennych grillów, garnków i patelni z terakoty.

Nie wolno używać: dyfuzorów ciepła takich jak siatki metalowe lub innych; dwóch palników jednocześnie dla jednego pojemnika (np. brytfanna do ryb). Jeśli zapalenie palnika będzie utrudnione z powodu szczególnych lokalnych warunków dostarczania gazu, zaleca się powtórzenie czynności przy pokrętle skręconym do uzyskania małego płomienia.

W przypadku montowania okapu nad płytą kuchenną należy odnieść się do instrukcji montowania okapu, aby sprawdzić prawidłową odległość między nim a płytą kuchenną.

Ochronne podkładki gumowe na rusztach mogą prowadzić do zadławienia małych dzieci. Po zdjęciu rusztu należy upewnić się, że wszystkie ochraniacze zostały prawidłowo założone.

INSTALACJA

⚠ Przemieszczanie i montaż urządzenia wymaga udziału co najmniej dwóch osób – ryzyko obrażeń. Podczas wypakowywania i instalacji stosować rękawice ochronne - ryzyko skaleczenia.

⚠ Połączenia elektryczne i gazowe muszą być wykonane zgodnie z lokalnymi przepisami.

⚠ Instalacje, np. wodne (jeżeli dotyczy), podłączenia elektryczne i wszelkie naprawy powinny być przeprowadzane przez wykwalifikowanego technika. Nie należy naprawiać ani wymieniać żadnej części urządzenia, jeśli nie jest to wyraźnie dozwolone w instrukcji obsługi. Nie należy pozwalać dzieciom zbliżać się do miejsca instalacji.

Po rozpakowaniu urządzenia należy sprawdzić, czy nie zostało ono uszkodzone podczas transportu. W przypadku problemów należy skontaktować się z najbliższym serwisem technicznym. Po zakończeniu instalacji niepotrzebne elementy opakowania (plastik, elementy ze styropianu, itd.) należy przechowywać poza zasięgiem dzieci - ryzyko uduszenia. Przed przystąpieniem do jakichkolwiek czynności montażowych urządzenie należy odłączyć od zasilania elektrycznego – ryzyko porażenia prądem. Podczas instalacji upewnić się, że urządzenie nie może uszkodzić przewodu zasilającego – ryzyko pożaru lub porażenia prądem. Urządzenie można uruchomić dopiero po zakończeniu instalacji.

⚠ OSTRZEŻENIE: Dla zapewnienia bezpiecznego i prawidłowego użytkowania urządzenia we wszystkich pozostałych krajach, niezbędne jest przeprowadzenie modyfikacji urządzenia i sposobu jego instalacji.

⚠ Używać regulatorów ciśnienia odpowiednich do ciśnienia gazu wskazanego w Instrukcji.

⚠ Pomieszczenie musi być wyposażone w system poboru powietrza, wydalający wszystkie możliwe spaliny.

⚠ Pomieszczenie musi również posiadać odpowiednią wentylację, ponieważ dopływ powietrza jest niezbędny do prawidłowego przebiegu procesu spalania. Przepływ powietrza nie może być mniejszy niż 2 m³/godz. na kW zainstalowanej mocy.

⚠ System cyrkulacji powietrza może pobierać powietrze bezpośrednio z zewnątrz, za pomocą przewodu o przekroju wewnętrznym o średnicy co najmniej 100 cm²; otwór nie może być podatny na żadnego rodzaju blokady.

⚠ System może również dostarczać powietrze potrzebne do spalania w sposób pośredni, np. z przyległych pokoi wyposażonych w opisane wyżej przewody cyrkulacji powietrza. Pokoje te nie mogą być jednak pokojami wspólnymi, sypialniami lub pokojami, w których występuje zagrożenie pożarowe.

⚠ Płynny gaz ziemny, jako cięższy od powietrza, opada na podłogę. Dlatego też pomieszczenia, w których znajdują się butle z gazem LPG, muszą być wyposażone w wentylację, umożliwiającą migrację gazu w przypadku wystąpienia

nieszczelności. Dlatego też, butle z gazem LPG, częściowo ani całkowicie pełne, nie mogą być instalowane ani przechowywane w pomieszczeniach ani obszarach przechowywania znajdujących się pod poziomem ziemi (w piwnicach itd.). Zaleca się przechowywanie wyłącznie butli użytkowanych w danym pomieszczeniu, umieszczonych w taki sposób, by nie były narażone na kontakt z zewnętrznymi źródłami ciepła (piekarnikiem, kominkiem, piecem itp.), co mogłyby doprowadzić do podniesienia temperatury butli powyżej 50°C.

W razie problemów z obracaniem pokręteł palników, należy skontaktować się z serwisem w celu wymiany zaworów palnika, jeżeli okażą się one wadliwe. Nigdy nie zakrywać otworów używanych do wentylacji i dyspersji ciepła.

⚠ Przed wstawieniem urządzenia przyciąć szafkę i usunąć trociny i wióry.

⚠ Jeśli urządzenie nie zostało zainstalowane nad piekarnikiem, w szafce pod urządzeniem należy zamontować panel oddzielający (brak w zestawie).

PODŁĄCZENIE GAZU

⚠ OSTRZEŻENIE: Przed przystąpieniem do montażu należy upewnić się, że lokalne warunki dystrybucji (rodzaj gazu i ciśnienie gazu) oraz konfiguracja urządzenia są zgodne.

⚠ Sprawdzić, czy ciśnienie zasilającego gazu jest zgodne z wartościami podanymi w Tabeli „Specyfikacje palników i dysz”.

⚠ OSTRZEŻENIE: Warunki dostosowania tego urządzenia określono w tabeli (lub na tabliczce znamionowej).

⚠ OSTRZEŻENIE: Urządzenie to nie jest podłączone do wyciągu produktów spalania. Musi być zamontowane i podłączone zgodnie z obowiązującymi przepisami instalacyjnymi. Szczególną uwagę należy zwrócić na odpowiednie wymagania dotyczące wentylacji.

⚠ Jeśli urządzenie jest podłączone do gazu płynnego, śruba regulacyjna powinna zostać dokręcona możliwie jak najmocniej.

⚠ WAŻNE: W przypadku montażu butli z gazem lub pojemnika z gazem należy je odpowiednio osadzić (orientacja pionowa).

⚠ OSTRZEŻENIE: Ta operacja powinna być przeprowadzona przez wykwalifikowanego technika.

⚠ Do podłączenia gazowego należy używać wyłącznie elastycznego lub sztywnego węża metalowego.

⚠ Połączenie ze sztywnym przewodem (miedzianym lub stalowym). Podłączenie do instalacji gazowej należy przeprowadzić tak, aby w żaden sposób nie obciążyć urządzenia. Na rampie zasilającej urządzenie znajduje się nastawne złącze przewodu w kształcie litery L a montuje się je razem z uszczelką, aby zapobiec przeciekom. Po obróceniu złącza przewodu, uszczelkę należy zawsze wymieniać (uszczelka jest dostarczona wraz z urządzeniem). Złącze przewodu zasilania gazem to gwintowane, męskie przyłącze gazowe 1/2.

⚠ Podłączenie giętkiego bezszwowego stalowego przewodu do gwintowanego przyłączenia. Złącze przewodu zasilania gazem to gwintowane, męskie przyłącze gazowe 1/2. Przewody te muszą zostać zainstalowane w taki sposób, by przy pełnym rozwinięciu nie przekraczały 2000 mm długości. Po wykonaniu

podłączeń należy upewnić się, że elastyczny przewód metalowy nie dotyka żadnych ruchomych części i nie jest poddawany naciskowi. Należy używać wyłącznie przewodów i uszczelek, które są zgodne z obowiązującymi przepisami krajowymi.

⚠ **WAŻNE:** W przypadku użycia węża ze stali nierdzewnej, należy go zainstalować w taki sposób, aby nie dotykał żadnej ruchomej części umeblowania (np. szafki). Musi on przechodzić przez obszar wolny od jakichkolwiek przeszkód i umożliwiającą kontrolę na całej długości.

⚠ Urządzenie należy podłączyć do źródła zasilania gazowego lub butli gazowej zgodnie z obowiązującymi przepisami krajowymi. Przed wykonaniem podłączenia, upewnić się, że urządzenie jest kompatybilne z zasilaniem gazu, jakie ma zostać użyte. W przeciwnym razie, należy postępować zgodnie z instrukcjami podanymi w rozdziale „Dostosowanie do różnych typów gazu”.

⚠ Po podłączeniu urządzenia do instalacji gazowej należy sprawdzić podłączenie pod kątem wycieków przy użyciu wody z mydłem. Zapalić palniki i przekręcić pokrętkę od pozycji maksymalnej 1* do pozycji minimalnej 2*, aby sprawdzić stabilność płomienia.

DOSTOSOWANIE DO RÓŻNYCH TYPÓW GAZU

(Ta operacja musi być wykonana przez wykwalifikowanego technika).

⚠ W celu dostosowania urządzenia do rodzaju gazu innego niż ten dla którego zostało wyprodukowane (zaznaczono na tabliczce znamionowej) należy postępować zgodnie ze wskazówkami umieszczonymi pod rysunkami dotyczącymi instalacji urządzenia.

OSTRZEŻENIA DOTYCZĄCE ELEKTRYCZNOŚCI

⚠ **WAŻNE:** Informacje dotyczące poboru prądu i napięcia są umieszczone na tabliczce znamionowej.

⚠ Musi istnieć możliwość odłączenia urządzenia od źródła zasilania przez wyjęcie wtyczki (jeśli wtyczka jest dostępna) lub za pomocą dostępnego przełącznika wielobiegowego, zainstalowanego w przewodzie do gniazda zasilania zgodnie z obowiązującymi normami krajowymi; urządzenie musi także posiadać uziemienie zgodne z obowiązującymi normami krajowymi dotyczącymi sprzętu elektrycznego.

⚠ Przewód zasilający powinien mieć wystarczającą długość, aby umożliwić podłączenie zabudowanego urządzenia do sieci. Nie ciągnąć za przewód zasilający.

⚠ Nie stosować przedłużaczy, rozdzielaczy ani adapterów. Po zakończeniu instalacji użytkownik nie powinien mieć dostępu do podzespołów elektrycznych urządzenia. Nie korzystać z urządzenia, będąc mokrym lub bez obuwia. Nie uruchamiać urządzenia, jeżeli kabel zasilający lub wtyczka są uszkodzone, jeśli urządzenie nie działa prawidłowo lub jeśli zostało ono uszkodzone bądź upuszczone.

⚠ Jeśli przewód zasilający jest uszkodzony, jego wymiana na identyczny powinna być przeprowadzona przez producenta, pracownika serwisu lub inną podobnie wykwalifikowaną osobę w celu uniknięcia niebezpieczeństwa – ryzyko porażenia prądem.


CZYSZCZENIE I KONSERWACJA

⚠ **OSTRZEŻENIE:** Sprawdzić, czy urządzenie zostało wyłączone i odłączone od źródła zasilania przed przystąpieniem do czynności konserwacyjnych; Nigdy nie należy stosować urządzeń czyszczących parą. Występuje ryzyko porażenia prądem.

⚠ Nie należy używać środków ściernych, żrących, środków na bazie chloru ani środków do szorowania.

⚠ Aby nie uszkodzić elektrycznego urządzenia zapłonowego, nie wolno go używać, gdy palniki nie są na swoich miejscach.


UTYLIZACJA OPAKOWANIA

Materiał, z którego zrobione jest opakowanie, w 100% nadaje się do recyklingu i jest oznaczony symbolem .

Części opakowania nie należy wyrzucać, lecz zutylizować zgodnie z przepisami określonymi przez lokalne władze.

UTYLIZACJA URZĄDZEŃ AGD

Urządzenie zostało wykonane z materiałów nadających się do recyklingu lub do ponownego użycia. Urządzenie należy utylizować zgodnie z miejscowymi przepisami dotyczącymi gospodarki odpadami. Aby uzyskać więcej informacji na temat utylizacji, odzyskiwania oraz recyklingu urządzeń AGD należy skontaktować się z lokalnym urzędem, punktem skupu złomu lub sklepem, w którym zakupiono urządzenie. To urządzenie jest oznaczone zgodnie z dyrektywą Unii Europejskiej 2012/19/UE w sprawie zużytego sprzętu elektrotechnicznego i elektronicznego (WEEE) oraz z przepisami dotyczącymi sprzętu elektrycznego i elektronicznego z 2013 r. (w brzmieniu zmienionym). Właściwa utylizacja urządzenia pomoże zapobiec ewentualnym negatywnym skutkom dla środowiska oraz zdrowia ludzkiego.

Symbol  na urządzeniu lub w dołączonej do niego dokumentacji oznacza, że urządzenia nie wolno traktować jak zwykłego odpadu domowego. Należy je przekazać do punktu zajmującego się utylizacją i recyklingiem urządzeń elektrycznych i elektronicznych.

WSKAZÓWKI DOTYCZĄCE OSZCZĘDZANIA ENERGII

Używać naczyń i patelni, których szerokość spodu jest równa szerokości strefy grzewczej.

Stosować tylko garnki i patelnie o płaskim dnie.

Jeśli to możliwe, podczas gotowania przykrywać naczynia pokrywkami.

Dzięki naczyńom ciśnieniowym można zmniejszyć zużycie energii i skrócić czas gotowania.

DEKLARACJA ZGODNOŚCI

To urządzenie spełnia wymagania: ekoprojektu z Rozporządzenia Komisji (UE) nr 66/2014 oraz rozporządzeń z 2019 r. dotyczących ekoprojektu dla produktów związanych z energią oraz informacji na temat energii (zmiana) (wyjście z UE), zgodnie z normą europejską EN 30-2-1.

Rodzaj stosowanego gazu	Rodzaj palnika	Oznakowanie dyszy	Znamionowa wydajność termiczna kW	Zużycie znamionowe	Znamionowa moc cieplna kW	Ciśnienie gazu mbar		
						min.	nom.	maks.
GAZ ZIEMNY (Metan) G20	Średni (SR)	97 A	1,65	157 l/h	0,40	17	20	25
	Pomocniczy (AUX)	78 A	100	95 l/h	0,40			
	2-Pierścieniowy (DC)	140 H1	3,50	333 l/h	2,20			
GAZ ZIEMNY G2.350	Średni (SR)	129 C	1,65	218 l/h	0,40	10	13	16
	Pomocniczy (AUX)	104	100	132 l/h	0,40			
	2-Pierścieniowy (DC)	200	3,50	463 l/h	2,20			
GAZ ZIEMNY G27	Średni (SR)	112	1,65	192 l/h	0,40	16	20	23
	Pomocniczy (AUX)	85 D	100	116 l/h	0,40			
	2-Pierścieniowy (DC)	160 H1	3,30	383 l/h	2,20			
GAZ LPG (Butan) G30	Średni (SR)	62	1,65	120 g/h	0,50	25	37	45
	Pomocniczy (AUX)	47	1,00	73 g/h	0,45			
	2-Pierścieniowy (DC)	88	3,30	240 g/h	2,20			
GAZ LPG (Propan) G31	Średni (SR)	62	1,65	118 g/h	0,50	25	37	45
	Pomocniczy (AUX)	47	1,00	71 g/h	0,45			
	2-Pierścieniowy (DC)	88	3,30	236 g/h	2,20			

Rodzaj stosowanego gazu	Konfiguracja modelu 4 PALNIKI	Znamionowa wydajność termiczna (kW)	Zużycie znamionowe całkowite	Objętość powietrza (m ³) wymagana do spalania 1m ³ gazu
G20 20 mbar	2SR - 1AUX - 1DC	7,80	743 l/h	9,52
G2.350 13 mbar	2SR - 1AUX - 1DC	7,60	882 l/h	6,85
G27 20 mbar	2SR - 1AUX - 1DC	7,80	1032 l/h	7,90
G30 37 mbar	2SR - 1AUX - 1DC	7,60	553 g/h	30,94
G31 37 mbar	2SR - 1AUX - 1DC	7,60	543 g/h	23,80

ZASILANIE ELEKTRYCZNE: 220-240 V ~ 50-60 Hz - 1,1 W

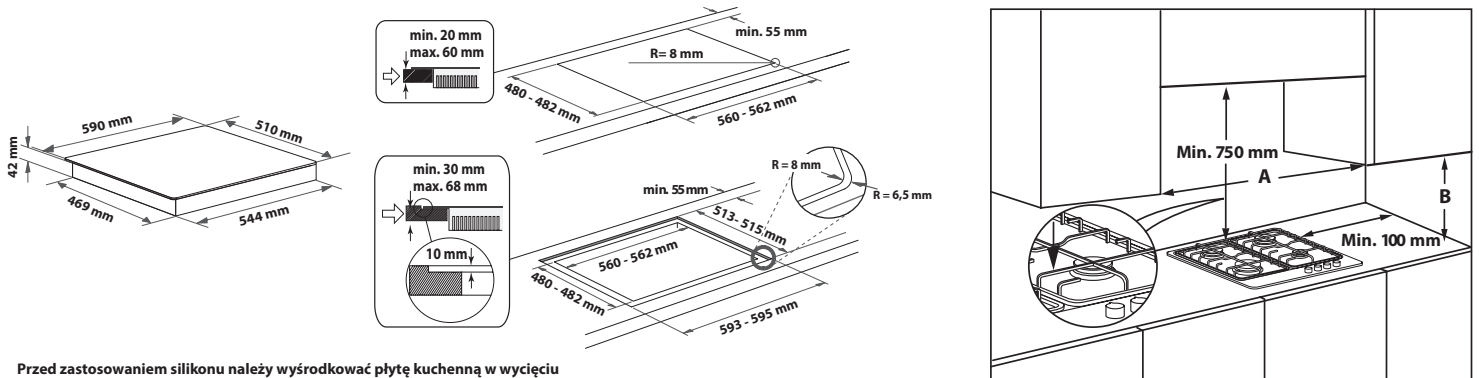


INSTALACJA (KLASA 3)

INFORMACJE TECHNICZNE DLA INSTALATORA

- Podczas przenoszenia, przygotowania i instalowania urządzenia należy używać rękawic ochronnych.
- Niniejsze urządzenie można osadzać w blatach roboczych o grubości od 20 do 60 mm, ze standardową instalacją. Do montażu na równi z blatem 30 ÷ 68 mm.
- Jeśli pod płytą kuchenną nie ma piekarnika, należy zainstalować płytę oddzielającą, której powierzchnia jest co najmniej równa otworowi w blacie roboczym. Odległość pomiędzy ww. płytą oddzielającą, która musi całkowicie pokrywać wycięcie, aby zapobiec kontaktowi ze spodem płyty kuchennej, a górną powierzchnią blatu roboczego nie może przekraczać 150 mm. W żadnym przypadku odległość pomiędzy płytą oddzielającą a dolną częścią płyty kuchennej nie może być mniejsza od 20 mm. Jeżeli użytkownik zamierza zainstalować piekarnik pod płytą kuchenną, powinno to być urządzenie wyposażone w układ chłodzenia.

OBLIGATORYJNE WYMIARY I ODLEGŁOŚCI



Przed zastosowaniem silikonu należy wyśrodkować płytę kuchenną w wycięciu

UWAGA: Jeśli odległość "A" pomiędzy szafkami ściennymi mieści się w przedziale od 600 mm do 730 mm, to wysokość "B" musi wynosić minimum 530 mm. Jeśli odległość "A" pomiędzy szafkami ściennymi jest większa od szerokości płyty, to wysokość "B" musi wynosić co najmniej 400 mm. W razie instalowania okapu nad płytą prawidłową odległość należy sprawdzić w instrukcji okapu.

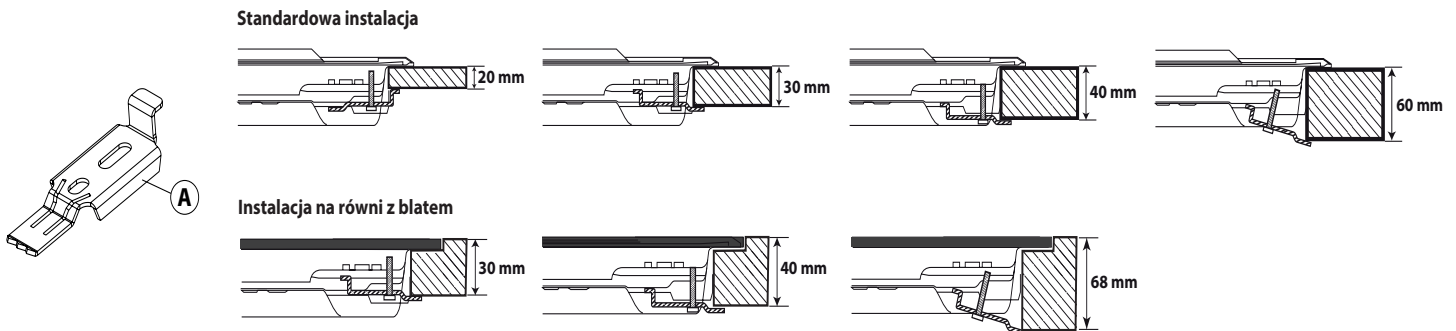
MONTAŻ

Po oczyszczeniu powierzchni na obwodzie należy zamontować dostarczoną uszczelkę na płycie kuchennej.

Ustawić płytę kuchenną w otworze blatu roboczego przestrzegając wymiarów podanych w karcie opisowej urządzenia.

Uwaga: Przewód zasilający musi być wystarczająco długi, aby umożliwić wyjęcie płyty do góry.

Aby zamocować płytę kuchenną, należy użyć dostarczonych w zestawie elementów mocujących (A). Przymocować elementy do odpowiednich otworów wskazanych strzałką, a następnie przykręcić wkrętami w zależności od grubości blatu roboczego (patrz poniższe rysunki).

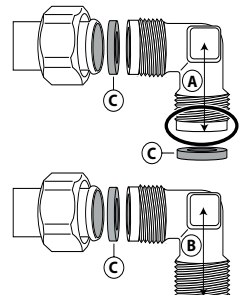


PODŁĄCZENIE GAZOWE

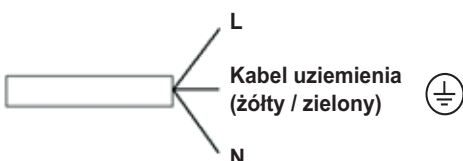
- Podłączyć kolanko (A)* lub (B)* dostarczone z główną rurą wlotową płyty, używając dołączonej podkładki (C), zgodnie z EN 549.

* We Francji należy użyć kolanka (A), natomiast w innych krajach należy użyć kolanka (B).

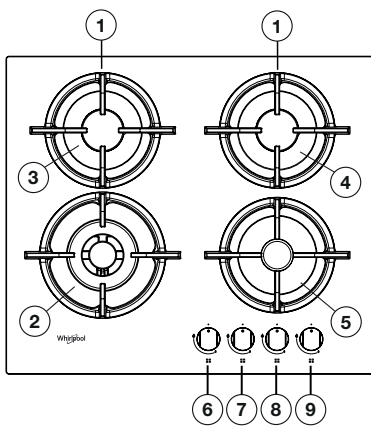
- Po podłączeniu do sieci gazowniczej należy sprawdzić szczelność za pomocą wody z mydłem. Zapalić palniki i przekręcić pokrętkę od pozycji maksymalnej do pozycji minimalnej aby sprawdzić stabilność płomienia.



PODŁĄCZENIE ELEKTRYCZNE



OPIS PRODUKTU



1. Zdejmowane kratki do stawiania naczyń
2. Palnik 2-Pierścieniowy
3. Palnik średni
4. Palnik średni
5. Palnik Pomocniczy
6. Pokrętło regulacji palnika 2-Pierścieniowego
7. Pokrętło regulacji palnika średniego
8. Pokrętło regulacji palnika średniego
9. Pokrętło regulacji palnika Pomocniczego

Symbole

- Wypełnione kółko ● Zawór zamknięty
- Duży płomień 🔥 Maksymalne otwarcie/podawanie i elektryczny zapłon
- Mały płomień 🔥 Minimalne otwarcie lub obniżone dostarczanie

CODZIENNA EKSPLOATACJA

JAK KORZYSTAĆ Z PŁYTY

⚠ Nie dopuszczać, aby płomień palnika wychodził poza krawędź dna naczynia.

WAŻNE: gdy płyta pracuje, cały jej obszar może być gorący.

- Aby zapalić jeden z palników, należy obrócić odpowiednie pokrętło przeciwnie do ruchu wskazówek zegara, w położenie maksymalnego płomienia.
- Nacisnąć pokrętło w kierunku do pulpitu sterującego, aby dokonać zapłonu palnika.
- Po zapłonie palnika trzymać pokrętło wciśnięte przez ok. 5-10 sekund, aby umożliwić prawidłowe zadziałanie mechanizmu.
- Zabezpieczenie, w które jest wyposażony palnik, zablokuje wypływ gazu w sytuacji przypadkowego zgaśnięcia (podmuchy powietrza, chwilowy brak gazu, wykipienie płynów itd.).
- **Nie wciskać pokrętła na dłużej niż 15 s. Jeżeli po upływie tego czasu palnik gaśnie, należy odczekać co najmniej jedną minutę przed podjęciem następnej próby zapłonu. W razie przypadkowego zgaszenia płomienia, wyłączyć pokrętło palnika i odczekać co najmniej minutę przed ponownym włączeniem.**

UWAGA: Jeżeli parametry gazu dostarczanego w danym regionie powodują, że zapłon palnika jest utrudniony, zaleca się wykonanie ponownego zapłonu, ale przy położeniu pokrętła na symbolu małego płomienia.

Palnik może zgasnąć po zwolnieniu pokrętła. Oznacza to, że mechanizm zabezpieczający nie rozgrzał się w wystarczającym stopniu. W takim przypadku należy powtórzyć czynności opisane powyżej.

W przypadku przypadkowego zgaśnięcia płomienia palnika, zakręcić pokrętło sterujące i ponowić próbę zapalenia po upływie przynajmniej 1 minutę.

PORADY PRAKTYCZNE UŻYTKOWANIA PALNIKÓW

Płyta została wyposażona w palniki o różnych średnicach. W celu zapewnienia optymalnej wydajności palników należy przestrzegać następujących zasad:

- korzystać z garnków i patelni o szerokości dna takiej samej lub nieco większej od szerokości palników (patrz tabela po prawej stronie),
- używać wyłącznie garnków i patelni z płaskim dnem;
- do gotowania używać odpowiedniej ilości wody i przykrywać garnek pokrywą;
- upewnić się, że garnki stojące na kratkach nie wystają poza krawędź płyty,
- w przypadku patelni z wypukłym dnem (woków) należy korzystać z kratki podpierającej (brak w komplecie), którą należy umieszczać wyłącznie na palniku 2-pierścieniowym,
- unikać przypadkowych uderzeń garnkami, rusztami lub innymi przyrządami kuchennymi;
- nie zostawiać pustej patelni grillowej na palniku na dłużej niż 5 minut.

WAŻNE: nieprawidłowe używanie kratki może powodować uszkodzenie płyty: nie kłaść kratki spodem do góry ani nie przesuwaj ich po powierzchni płyty.

PALNIK	Ø GARNKA
2-Pierścieniowy	Od 24 do 26 cm
Średni	Od 16 do 22 cm
Pomocniczy	Od 8 do 14 cm

Nie należy używać:

- Żeliwnych form do pieczenia, kamiennych płyt, garnków i patelni z terakoty.
- Rozpraszaczy ciepła takich jak siatki metalowe i inne.
- Jednocześnie dwóch palników do jednego naczynia (np. kocioł do gotowania ryb).

Płyny rozlane na gorącej powierzchni płyty mogą spowodować uszkodzenie szkła.

USTAWIANIE DO RÓŻNYCH RODZAJÓW GAZU

⚠ Ta czynność powinna być wykonana przez wykwalifikowanego technika.

Jeżeli urządzenie ma pracować z wykorzystaniem gazu innego typu niż podany na tabliczce znamionowej oraz naklejce informacyjnej znajdującej się na górze płyty kuchennej, należy wymienić dysze.

Naklejkę informacyjną należy zdjąć i przechowywać łącznie z instrukcją obsługi.

Należy zastosować reduktory gazu odpowiednie dla ciśnień podanych w instrukcji:

- Dyszegazowe muszą być wymieniane w serwisie lub przez wykwalifikowanego technika.
- Dysze, które nie zostały dostarczone wraz z urządzeniem, muszą być zamówione w serwisie.
- Regulacja minimalnego ustawienia zaworów.

UWAGA: Jeżeli używany jest gaz LPG (G30/G31), śruba regulacji minimalnego ustawienia gazu musi zostać wkręcona do oporu.

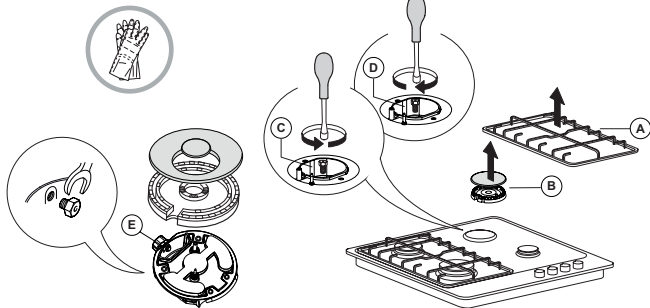
WAŻNE: W razie problemów z obracaniem pokręteł palników należy skontaktować się z serwisem w celu wymiany zaworów palnika, jeżeli okażą się one wadliwe.

WAŻNE: W przypadku korzystania z gazu w butlach należy zapewnić odpowiednie ustawienie butli (w pozycji pionowej).

WYMIANA DYSZ (patrz tabela dysz we Wskazówkach dotyczących bezpieczeństwa)

⚠ Ta czynność powinna być wykonana przez wykwalifikowanego technika.

- Zdjąć ruszt (A).
- Wyjąć palniki (B).
- Odpowiednim kluczem nasadowym odkręcić dyszę (C) do wymiany.
- Dokonać wymiany na dyszę odpowiednią dla nowego rodzaju gazu.
- Ponownie zamontować dyszę (D).
- W przypadku palnika z wieloma koronami należy użyć klucza płaskiego do wymiany dyszy (E).



Przed zainstalowaniem płyty kuchennej pamiętać o przymocowaniu płytki kalibracji gazu dostarczonej wraz z dyszami w taki sposób, aby przykryła ona obecną informację dotyczącą kalibracji gazu.

REGULACJA MINIMALNYCH USTAWIEŃ GAZU W ZAWORACH

⚠ Ta czynność powinna być wykonana przez wykwalifikowanego technika.

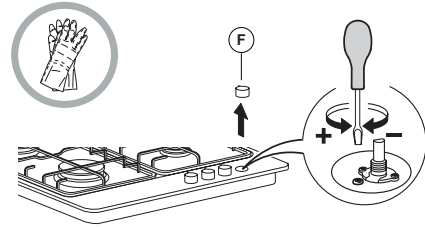
Regulacji należy dokonywać, gdy zawór jest ustawiony na pozycji minimalnego gazu (mały płomień) ⚡.

Powietrze pierwotne palników nie wymaga regulacji.

Aby upewnić się, że ustawienie minimalne jest prawidłowo wyregulowane, należy zdjąć pokrętło (F) i wykonać następujące czynności:

- dokręcić (-), aby zredukować wysokość płomienia;
- poluzować (+), aby zwiększyć wysokość płomienia.

Na tym etapie należy zapalić palniki i przekręcić pokrętła od pozycji maksymalnej ⚡ do pozycji minimalnej ⚡ aby sprawdzić stabilność płomienia.



Po zakończeniu regulacji, należy dokonać ponownego uszczelnienia używając kitu próżniowego lub równoważnego materiału.

KONSERWACJA I CZYSZCZENIE

⚠ Odłączyć urządzenie od zasilania.

CZYSZCZENIE POWIERZCHNI PŁYTY KUCHENNEJ

- Wszystkie części emaliowane i szklane należy czyścić ciepłą wodą z neutralnym roztworem.
- Powierzchnie ze stali nierdzewnej mogą ulec odbarwieniu w wyniku zbyt długiego kontaktu z zakamienioną wodą lub agresywnymi detergentami. Wszelkie rozlane resztki potraw (woda, sos, kawa, itp.) należy wytrzeć zanim zaschną.
- Czyścić ciepłą wodą z neutralnym detergentem, a następnie osuszyć miękką ściereczką lub irchą. Przypieczony brud należy usuwać przy pomocy specjalnych czyścików do powierzchni ze stali nierdzewnej.

Uwaga: Stal nierdzewną czyścić jedynie miękką ściereczką lub gąbką.

- Nie używać środków ściernych i żrących, czyścików na bazie chloru ani druciaków do patelni.
- Nie korzystać z urządzeń czyszczących parą.
- Nie stosować produktów łatwopalnych.
- Nie pozostawiać na płycie rozlanych substancji kwaśnych lub alkalicznych, jak np. octu, musztardy, soli, cukru lub soku cytrynowego.

CZYSZCZENIE ELEMENTÓW PŁYTY

- Ruszty, korony palników i palniki można zdemontować do czyszczenia.
- Należy je czyścić ręcznie ciepłą wodą z nieściernym detergentem. Ostrożnie usuwać wszelkie pozostałości żywności. Sprawdzić, czy żaden z otworów palników nie jest zatkany.
- Ostrożnie opłukać i wysuszyć.
- **Ruszty żeliwne można myć w zmywarce. Usunąć wszelkie przypalone potrawy przed umieszczeniem rusztów w najniższym koszu zmywarki.**
- Zainstalować palniki i grzybki palników w prawidłowy sposób, umieszczając je w odpowiednich miejscach.
- Przy zakładaniu kratki należy upewnić się, czy miejsca na naczynia są wyrównane z palnikami.
- Modele wyposażone w elektryczne świece zapłonowe oraz urządzenie zabezpieczające wymagają dokładnego czyszczenia końcówek świec, w celu zapewnienia ich prawidłowego działania. Elementy te należy często kontrolować i czyścić wilgotną ściereczką w miarę potrzeb. Przypieczoną żywność należy usuwać wykałaczką lub igłą.

Uwaga: Aby nie uszkodzić elektrycznego urządzenia zapłonowego, nie wolno go używać, gdy palniki nie są na swoich miejscach.

USUWANIE USTEREK

Jeśli płyta nie pracuje prawidłowo, przed wezwaniem serwisu należy zapoznać się z instrukcją wyszukiwania i usuwania usterek, aby ustalić na czym polega problem.

1. Nie można zapalić palnika lub płomień jest nierównomierny

Sprawdzić, czy:

- zasilanie gazowe lub elektryczne nie są odcięte, zwłaszcza jeżeli zawór na linii gazowej jest otwarty.
- butla gazowa (gaz LPG) nie jest pusta.
- otwory palników nie są zatkane.
- końcówka świecy nie jest brudna.
- wszystkie elementy palnika zostały prawidłowo ustawione.
- nie ma przeciągów w pobliżu kucharki.

2. Palnik gaśnie

Sprawdzić, czy:

- podczas zapalania palnika pokrętło zostało przytrzymane wystarczająco długo, aby uaktywnić zabezpieczenie.
- otwory palnika nie są zatkane w pobliżu termoelementu.
- końcówka urządzenia zabezpieczającego nie jest zanieczyszczona.
- ustawienie minimalne gazu jest prawidłowe (patrz stosowny rozdział).

3. Pojemniki nie są stabilne

Sprawdzić, czy:

- dno pojemnika jest idealnie płaskie
- pojemnik jest ustawiony centralnie nad palnikiem.
- ruszty nie zostały zamienione lub ustawione nieprawidłowo.

Jeśli pomimo powyższych zabiegów usterka wciąż się powtarza, należy skontaktować się z najbliższym serwisem technicznym.

SERWIS TECHNICZNY

W celu uzyskania kompleksowej pomocy prosimy zarejestrować urządzenie na stronie www.whirlpool.eu/register.

PRZED SKONTAKTOWANIEM SIĘ Z SERWISEM NALEŻY:

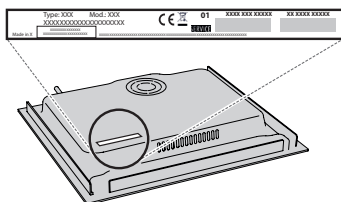
1. Sprawdzić, czy nie można samodzielnie rozwiązać problemu, zgodnie z zaleceniami opisanymi w paragrafie **USUWANIE USTEREK**.
2. Wyłączyć i ponownie włączyć urządzenie, aby sprawdzić, czy usterka nie ustąpiła.

JEŚLI PO PRZEPROWADZENIU POWYŻSZYCH CZYNNOŚCI URZĄDZENIE NADAL NIE DZIAŁA PRAWIDŁOWO, NALEŻY SKONTAKTOWAĆ SIĘ Z NAJBLIŻSZYM AUTORYZOWANYM SERWISEM TECHNICZNYM.

Aby otrzymać pomoc, należy zadzwonić pod numer znajdujący się w karcie gwarancyjnej lub postępować zgodnie z instrukcjami zamieszczonymi na stronie www.whirlpool.eu.

Kontaktując się z naszym serwisem posprzedażnym, należy zawsze podać:

- krótki opis usterki;
- dokładny typ i model urządzenia;



- numer seryjny (numer po literach „SN” na tabliczce znamionowej znajdującej się pod urządzeniem). Numer seryjny jest również podany w dokumentacji;



Mod. XXX XXX

Ind.C. XXXX XXXX XXXX

Prod.N. 86999XXXXXXXX S.N. XXXX XXXX XXXX

- dokładny adres;
- numer telefonu

Jeśli konieczna będzie naprawa, należy zwrócić się do autoryzowanego serwisu technicznego (zapewni to gwarancję zastosowania oryginalnych części zamiennych oraz właściwie przeprowadzonej naprawy).

Laadige alla täielik juhend veebisaidilt <http://docs.whirlpool.eu> või helistage garantiivoldikus toodud telefoninumbril.

⚠ Juhised kehtivad riigis, mille sümbol on näha seadmel. Kui seadmel riiki tähistav sümbol puudub, tuleb uurida tehnilisi juhiseid, mis annavad vajalikku informatsiooni seadme muutmiseks, et see vastaks riigispetsiifilistele tingimustele.

⚠ **ETTEVAATUST:** Gaasil töötava küpsetusseadme kasutamine toob kaasa kuumuse, niiskuse ja põlemissaaduste sattumise seadme paiknemisruumi. Kindlustage köögi piisav õhuvahetus seadme kasutamisel: Hoidke naturaalsed õhutusavad lahti või paigaldage mehhaaniline ventilatsiooniseade (mehhaaniline tõmbekapp). Seadme pikaajaline, intensiivne kasutamine võib kaasa tuua suurenenud õhuvahetuse vajaduse, näiteks akna avamise või efektiivse ventilatsioonisüsteemi (mehaanilise õhuvahetuse suurendamise) näol.

⚠ Kui selles juhendis toodud teavet täpselt ei järgita, võib see põhjustada tulekahju või plahvatuse, millega võivad kaasnedä varaline kahju ja kehavigastused.

Enne seadme kasutamist lugege see ohutusjuhend hoolikalt läbi. Hoidke see hilisemaks läbivaatamiseks käepärast.

Nendes juhendites ja seadmel endal on olulised hoiatused, mida tuleb pidevalt järgida. Tootja ei vastuta, kui ohutusjuhendeid ei järgita, seadet kasutatakse valesti või määratakse sobimatud seaded.

⚠ **HOIATUS!** Kui pliidiplaat on pragunenud, ei tohi seadet kasutada, sest tekib elektrilöögioht.

⚠ **HOIATUS!** Süttimisohu: ärge hoidke toiduvalmistamispindadel esemeid.

⚠ **ETTEVAATUST!** Küpsetamist tuleb jälgida. Lühidat küpsetamist tuleb jälgida pidevalt.

⚠ **HOIATUS!** Rasva või õliga toidu küpsemine pliidiil ilma järelevalveta võib olla ohtlik, sest tekib tuleoht. ÄRGE proovige kustutada tuld veega, vaid lülitage seade välja ning katke seejärel leek katte, näiteks kaane või tulekustutustekiga.

⚠ Ärge kasutage pliidiplaati töö- või abipinnana. Hoidke riided ja muud tuleohtlikud materjalid seadmest eemal, kuni kõik selle osad on täielikult maha jahtunud, vastasel juhul võib tekkida tuleoht.

⚠ Väikelapsed (vanuses 0–3 aastat) tuleb seadmest eemal hoida. Lapsed (vanuses 3–8 aastat) tuleb seadmest eemal hoida, kui nende järele ei valvata. Lapsed alates 8 eluaastast ja piiratud füüsiliste, sensoorsete või vaimsete võimete või kogemuste või teadmisteta isikud võivad seadet kasutada ainult siis, kui nende tegevust jälgitakse või neid on seadme ohutuks kasutamiseks juhendatud ja kui nad mõistavad sellega seotud ohtusid. Jälgige, et lapsed seadmega ei mängiks. Lapsed ei tohi seadet ilma järelevalveta puhastada ega hooldada.

⚠ **ETTEVAATUST!** Kui pliidiplaadi klaas puruneb, lülitage kohe kõik põletid ja elektrilised kütteelemendid

välja ning isoleerige seade elektritoitest; ärge puudutage seadme pinda; ärge kasutage seadet.

Klaasist kaas võib puruneda, kui see kuumaks läheb. Lülitage kõik põletid ja elektriplaadid enne kaane sulgemist välja. Ärge sulgege kaant, kui põleti põleb.

⚠ **HOIATUS!** Seade ja selle ligipääsetavad osad muutuvad kasutamisel kuumaks. Vältige kütteelementide puudutamist. Nooremad kui 8 aastased lapsed tuleb seadmest eemal hoida, kui nende tegevust pidevalt ei jälgita.

LUBATUD KASUTUS

⚠ **ETTEVAATUST!** Seade ei ole mõeldud kasutamiseks välise lülitusseadmega, nagu taimer või eraldi kaugjuhtimissüsteem.

⚠ Seade on ettenähtud kasutamiseks kodumajapidamises ja teistes sarnastes kohtades, nagu: kaupluste, kontorite ja teiste töökeskkondade töötajate köögipiirkondades; talumajapidamistes; hotellides, motellides, kodumajutusasutustes ja teistes sarnastes kohtades.

⚠ Muud kasutusviisid (nt ruumide soojendamine) pole lubatud.

⚠ See seade ei ole mõeldud professionaalseks kasutuseks. Ärge kasutage seadet välitingimustes.

⚠ Kasutage potte ja panne, mille põhi on sama põletitega lai või pisut laiem (vt vastavat tabelit). Veenduge, et restidel olevad potid ei ulatuks üle pliidiplaadi serva.

⚠ Restide vale kasutus võib pliidiplaati kahjustada: ärge paigutage reste tagurpidi ega lohistage neid pliidiplaadil.

Ärge laske põleti leegil ulatuda panni servast kaugemale.

Kui pliidi pind on valmistatud klaasist, ärge kasutage malmpanne, küpsetuskive, terrakotapotte ja -panne.

Ärge kasutage: soojushajuteid, nagu metallvõrk jmt. kahte põletid korraga ühe anuma kuumutamiseks (nt kala küpsetusalus).

Kui kohalikud gaasivarustuse tingimused muudavad põleti süütamise keeruliseks, on soovitatav toimingut korrata madalale leegitugevusele seatud nupuga.

Kui pliidi kohale paigaldatakse õhupuhasti, vaadake õiget vahekaugust õhupuhasti juhendist.

Restide kaitsvad kummijalad kujutavad lastele lämbumisohtu. Pärast restide eemaldamist kontrollige, et kõik jalad oleksid õigel kohtadel.

PAIGALDAMINE

⚠ Seadet tuleb paigaldada ja käsitseda kahe või enama inimesega - vigastusohu. Kasutage lahtipakkimiseks ja paigaldamiseks kaitsekindaid - sisselõikamise oht.

⚠ Elektrilised ja gaasipõhised ühendused peavad vastama kohalikele nõuetele.

⚠ Paigaldamine, k.a veevarusuts (kui olemas) ja elektriühendused, ja remonditööd tuleb teostada kvalifitseeritud tehniku poolt. Ärge parandage ega asendage mõnda seadme osa, kui seda kasutusjuhendis otseselt ei soovitata. Hoidke lapsed paigalduskohast eemal. Veenduge pärast seadme lahtipakkimist, et see ei ole transportimisel kahjustada saanud. Probleemide esinemisel võtke ühendust edasimüüja või lähima teenindusega. Kui seade on paigaldatud, tuleb pakendijäätmed (plastik, stüroplastist osad jne) paigutada lastele kättesaamatusse kohta - lämbumisoht. Enne paigaldamist tuleb seade vooluvõrgust lahti ühendada - elektrilöögi oht. Jälgige paigaldamise ajal, et seade ei

kahjustaks toitejuhet - tulekahju või elektrilöögi oht. Aktiveerige seade alles siis, kui paigaldamine on lõpetatud.

⚠ HOIATUS! Seadme muudatused ja paigaldusmeetod on olulised seadme ohutul ja korrektsel kasutamisel kõigis muudes riikides.

⚠ Kasutage juhises märgitud rõhuregulaatoreid seadme gaasirõhu reguleerimiseks.

⚠ Ruumis peab olema õhueraldussüsteem, mis eemaldab põlemisel tekkinud suitsu.

⚠ Ruumis peab olema ka korrektne õhuringlus, kuna hapnik on vajalik normaalseks süütetegevuseks. Õhuvool ei tohiks olla väiksem kui 2 m³/h ühe seadme jõuühiku kW kohta.

⚠ Õhuringluse süsteem võib õhkuda saada ka õuest toruga, mille sisediameeter on vähemalt 100 cm²; Toru avale ei tohi tekkida takistust.

⚠ Süsteem võib olla seadistatud kaudselt nii, et süütetegevuseks vajalik õhk saadakse kõrvalolevatest ruumidest, mis on varustatud eelpool nimetatud õhuringlustorudega. Samas ei tohi nimetatud ruumid olla magamistoas, avalikud või tuleohuga ruumid.

⚠ Vedelgaas vajub põrandale, kuna on õhust raskem gaas. Seetõttu peab LGP silindritega varustatud ruumides olema ka õhuvahetussüsteem, mis aitab lekke korral gaasil ruumist pääseda. LPG silindrid tuleb seetõttu paigaldada või hoiustada kas osaliselt või täielikult ruumides või pindadel, mis on allpool merepinda (kelder vms). Soovituslik on hoida seadmeruumis ainult kasutuses olev silinder, mis ei puutu kokku välisallikatest tekkiva võimaliku kuumusega (ahjud, tulekolded, pliidid vms), mis võiks silindri temperatuuri tõsta üle 50°C.

Kui teil peaks esinema raskusi põletinuppude keeramisega, võtke ühendust müüjajärgse klienditeenindusega vigase (leiu korral) põletikraani vahetamiseks. Õhuvahetuseks ja kuumuse hajutamiseks kasutatavaid avasid ei tohi kunagi kinni katta.

⚠ Tehke mööblis kõik vajalikud sisselõiked enne seadme paigaldamist ja eemaldage puulaastud ja saepuru.

⚠ Kui seadet EI paigaldada ahju kohale, tuleb seadme all olevasse ruumi paigaldada eralduspaneel (ei ole komplektis).

GAASIÜHENDUS

⚠ HOIATUS! Enne paigaldamist tehke kindlaks, et kohalikud energia jaotustingimused (naturaalne maagaas või rõhkgaas) ja seadme ühilduvustingimused.

⚠ Kontrollige tabelis „Põleti ja düüsi andmed“ toodud gaasi väärtuste vastavust tootja gaasirõhuga.

⚠ HOIATUS! Seadme reguleerimistingimused on toodud sildil (või andmeplaadil).

⚠ HOIATUS! Seade pole ühendatud põlemissaaduste väljutusseadmega. See paigaldatakse ja ühendatakse praeguste paigaldusnõuete kohaselt. Erilist tähelepanu tuleb pöörata ventilatsiooni puudutavatele asjakohastele nõudmistele.

⚠ Vedelgaasi kasutamisel seadmes tuleb regulatsioonikruvi kinnitada võimalikult tihedalt.

⚠ OLULINE! Gaasisilindri kasutamisel tuleb see või gaasikonteiner seadistada korrektselt (vertikaalsuunas).

⚠ HOIATUS! Seda peab tegema kvalifitseeritud tehnik.

⚠ Kasutage gaasiühenduse jaoks ainult painduvat või jäika metalltoru.

⚠ Ühendus jäiga toruga (vask või teras). Ühendus gaasisüsteemiga tuleb luua nii, et seadmele ei rakenduks mingit pinget. Seadme varustusastmel on L-kujuline torukinnitus, millel on tihend lekete ärahoidmiseks. Tihendi peab alati välja vahedama peale toru paigaldusvahendi keeramist (tihend on koos seadmega). Gaasitoitetoru paigaldusvahend on 1/2 keermestatud gaasisilindri pistikühendus.

⚠ Painduva liitmiketa roostevabast terasest toru ühendamine keermestatud kinnituse külge. Gaasivarustustoru kinnitus on keermestatud 1/2 gaasi silindrikujuline isane kinnitus. Torud tuleb paigaldada nii, et nende täispikkus poleks kunagi üle 2000 mm. Pärast ühendamist kontrollige, et painduv metalltoru ei puutuks kokku liikuvate osadega ja ei oleks kokku surutud. Kasutage ainult riiklikele nõuetele vastavaid torusid ja tihendeid.

⚠ OLULINE! Roostevabast terasest toru kasutamisel ei tohi see paigaldamisel kokku puutuda mööbli liikuvate osadega (nt sahtel). Toru peab tarnima takistusteta alas, kus saaks kontrollida ka vajadusel seda täispikkuses.

⚠ Seadetuleksühendada peamiselt gaasitoitetorusse või –silindrisse riiklike nõuete kohaselt. Enne igasuguse ühenduse loomist kontrollige, et seade vastaks kasutatava tootjagaasi nõuetega. Vastavuse puudumisel vaadake juhiseid paragrahvis „Erinevatele gaasitüüpidele kohandamine“.

⚠ Pärast gaasivarustuse ühendamist kontrollige seebivett kasutades võimalike lekete olemasolu. Süüdake põletid ja keerake nuppu maksimaalsest asendist 1* minimaalsesse asendisse 2*, et kontrollida leegi stabiilsust.

ERINEVATELE GAASITÜÜPIDELE KOHALDAMINE

(Selle toimingu peab tegema kvalifitseeritud tehnik).

⚠ Seadme kohandamiseks gaasitüübiga, mis erineb ettenähtud gaasitüübist (näidatud andmesildil), järgige paigaldusjooniste järel toodud üksikasjalikke juhiseid.

ELEKTRIGA SEOTUD HOIATUSED

⚠ OLULINE! Voolu- ja pingetarbimise teave on toodud andmesildil.

⚠ Toitekaabel peab olema piisavalt pikk, et see ulatuks pärast seadme korpuse paigaldamist toiteallikani. Ärge tõmmake toitejuhet.

⚠ Seadet peab olema võimalik vooluvõrgust lahutada kas pistikut pesast välja tõmmates, kui pistik on juurdepääsetav, või ligipääsetava mitmepooluselise lüliti abil, mis on paigaldatud pistikupesast ülesvoolu kooskõlas riiklike ohutuseeskirjadega. Seade peab olema maandatud vastavalt riiklikele elektriõhusstandarditele.

⚠ Ärge kasutage pikendusjuhtmeid, mitmikpesi ega adaptereid. Elektrilised komponendid ei tohi pärast paigaldamist olla kasutajale ligipääsetavad. Ärge kasutage seadet märjana ega paljajalu. Ärge kasutage seadet, kui selle toitejuhe või pistik on vigane, kui see ei tööta korralikult või kui see on kahjustatud või maha kukkunud.

⚠ Kui toitejuhe on kahjustatud, peab tootja, teenindus või muu kvalifitseeritud isik selle ohtude, näiteks elektrilöögiohu vältimiseks asendama.

PUHASTAMINE JA HOOLDUS

⚠ HOIATUS! Enne hooldustööde tegemist veenduge, et seade on välja lülitatud ja toitevõrgust lahti ühendatud; ärge kunagi kasutage aurpuhastusseadmeid, sest nendega tekib elektrilöögioht.

⚠ Ärge kasutage abrasiivseid ega söövitavaid tooteid, klooripõhiseid puhastusvahendeid ega traatnuustikuid.

⚠ Elektrilise süüteseadme kahjustamise vältimiseks ärge kasutage seda ajal, kui põletid ei asu oma kohal.

PAKKEMATERJALIDE ÄRAVISKAMINE

Pakkematerjal on 100% ringlussevõetav ja märgistatud ringlussevõtusümboliga




Pakendi osad tuleb ära visata vastutustundlikult ja täies vastavuses kohalike jäätmekäitlusnõuetega.

KODUMASINATE JÄÄTMEKÄITLUS

See seade on toodetud taaskäideldavatest või taaskasutatavatest materjalidest. Kõrvaldage seade vastavalt kohalikele jäätmekäitluseeskirjadele. Elektriliste majapidamisseadmete jäätmekäitluse kohta saate täpsemat teavet kohalikest omavalitsustest, majapidamisseadmete kogumispunktist või poest, kust seadme ostsite. Seade on tähistatud vastavuses Euroopa Parlamendi ja nõukogu direktiiviga 2012/19/EL elektri- ja elektroonikaseadmetest tekkinud jäätmete kohta (WEEE) ja elektri- ja elektroonikaseadmetest tekkinud jäätmete 2013. aasta määrustega (uuendatud sõnastus).

Tagades seadme korrektse utiliseerimise, aitate hoida ära potentsiaalseid negatiivseid mõjusid keskkonnale ja inimeste tervisele.

Sümbol  seadmel või seadmega kaasapandud dokumentatsioonis näitab, et seadet ei tohi käidelda olmejäätmena, vaid et see tuleb toimetada lähimasse elektri- ja elektroonikaseadmete kogumispunkti.

ENERGIASÄÄSTUNIPID

Kasutage potte ja panne, mille põhja läbimõõt on võrdne keedualaga.

Kasutage ainult lamedapõhjalisi potte ja panne.

Võimaluse korral valmistage toitu kaane all.

Kiirkeedupoti abil säästate veel rohkem aega ja energiat.

VASTAVUSDEKLARATSIOON

Seade on vastavuses komisjoni määruse (EL) 66/2014 ökodisaininõuetega, energiamõjuga toodete ökodisaini ja energiateabe (muudatus) (EL-ist väljaastumine) määrustega 2019, mis on kooskõlas Euroopa standardiga EN 30-2-1.

Kasutatava gaasi tüüp	Põleti tüüp	Düüsi tähis	Nominaalne termiline vooluhulk kW	Nominaalne tarbimus	Vähendatud soojusvõimsus kW	Gaasirõhk mbar		
						min.	rat.	max.
MAAGAAS (Metaan) G20	Poolkiire (SR)	97 A	1,65	157 l/h	0,40	17	20	25
	Täiendav (AUX)	78 A	1,00	95 l/h	0,40			
	2 Rõngaga (DC)	140 H1	3,50	333 l/h	2,20			
VEELDATUD NAFTAGAAS (Butaan) G30	Poolkiire (SR)	66 A	1,65	120 g/h	0,40	20	30	35
	Täiendav (AUX)	50	1,00	73 g/h	0,40			
	2 Rõngaga (DC)	91	3,30	240 g/h	2,20			
VEELDATUD NAFTAGAAS (Propaan) G31	Poolkiire (SR)	66 A	1,65	118 g/h	0,40	20	30	35
	Täiendav (AUX)	50	1,00	71 g/h	0,40			
	2 Rõngaga (DC)	91	3,30	236 g/h	2,20			

Kasutatava gaasi tüüp	Mudeli konguratsioon 4 PÖLETI	Nominaalne termiline vooluhulk (kW)	Nominaalne kogutarbimus	Vajalik õhukogus (m ³) 1m ³ gaasi põletamiseks
G20 20 mbar	2SR - 1AUX - 1DC	7,80	743 l/h	9,52
G30 30 mbar	2SR - 1AUX - 1DC	7,60	553 g/h	30,94
G31 30 mbar	2SR - 1AUX - 1DC	7,60	543 g/h	23,80

VOOLUVARUSTUS: 220-240 V ~ 50-60 Hz - 1,1 W

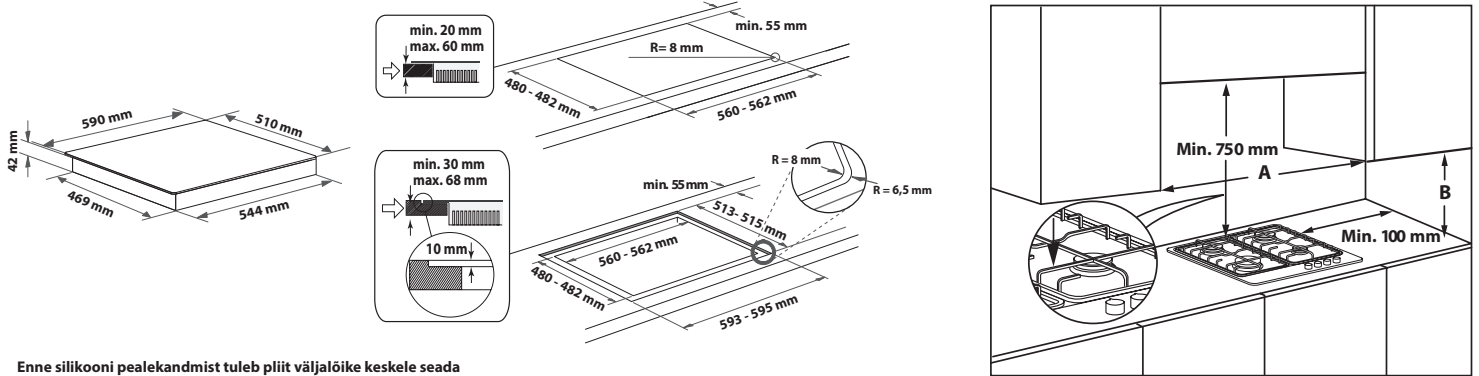


PAIGALDAMINE (KLASS 3)

PAIGALDAJALE MÕELDUD TEHNILINE TEAVE

- Kandke toote käsitlemisel, ettevalmistamisel ja paigaldamisel kaitsekindaid.
- Antud toodet saab integreerida 20 kuni 60 mm paksu tööpinna sisse, standardse paigaldusega. Masti paigaldamiseks 30 ÷ 68 mm.
- Kui pliidiplaadi all ei ole ahju, sisestage eraldustahvel, mille pindala on vähemalt võrdne tööpinna tehtud avausega. Selline eraldustahvel peab olema paigaldatud maksimaalselt 150 mm tööpinna ülemise pinna alla, kuid mitte mingil juhul pliidi põhjale lähemale kui 20 mm. Juhul, kui soovite paigaldada pliidiplaadi alla ahju, veenduge et see oleks varustatud jahutussüsteemiga.

MÕÖTMED JA KOHUSTUSLIKUD VAHEKAUGUSED



Enne silikooni pealekandmist tuleb pliit väljalõike keskele seada

MÄRKUS kui seinakappide vaheline vahekaugus „A“ on 600 kuni 730mm, peab kõrgus „B“ olema vähemalt 530 mm. Kui seinakappide vaheline vahekaugus „A“ on suurem kui pliidiplaadi laius, peab kõrgus „B“ olema vähemalt 400 mm. Pliidi kohale tõmbekapi paigaldamisel järgige tõmbekapi juhendis toodud õiget vahekaugust.

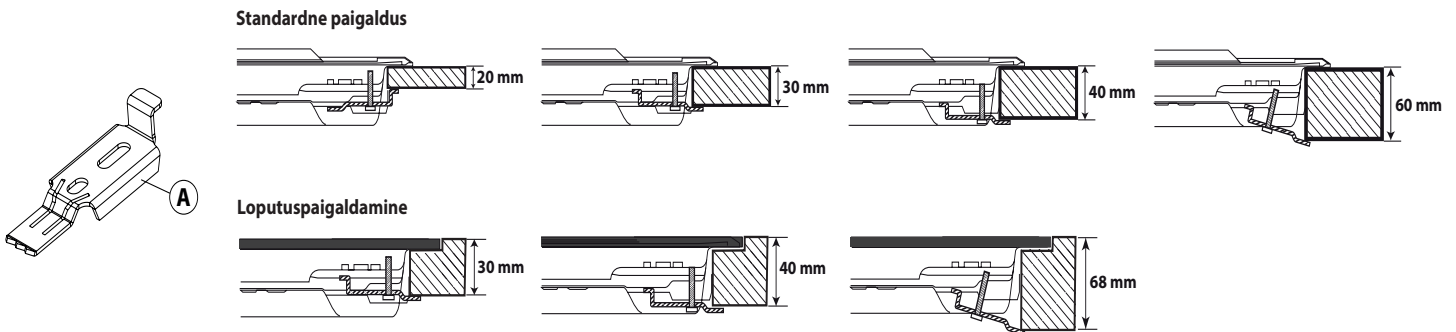
KOKKUPANEMINE

Pärast ümbrispinna puhastamist kinnitage pliidile joonisel näidatud moel tihend.

Asetage pliidiplaat juhendis märgitud mõõtmete alusel tööpinna tehtud avasse.

MÄRKUS toitekaabel peab olema piisavalt pikk, et võimaldada ülespoole väljavõtmist.

Pliidiplaadi kinnitamiseks kasutage kaasasolevaid klambreid (A). Asetage klambrid noolega tähistatud avadesse ja kinnitage nende kruvidega vastavalt tööpinna paksusele (vt järgnevat jooniseid).

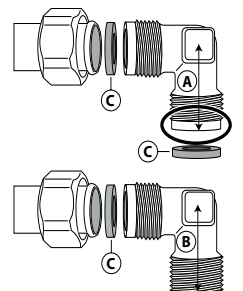


GAASIÜHENDUS

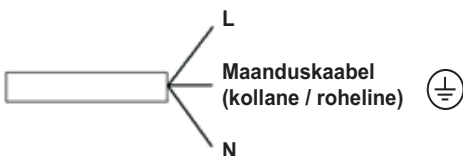
- Ühendage kaasasolev põlv (A)* või (B)* pliidi peasisselasketoruga ja asetage vahele kaasasolev seib (C) vastavalt standardile EN 549.

* Kasutage Prantsusmaal põlve (A) ja kõikide teiste sihtkohtade puhul põlve (B).

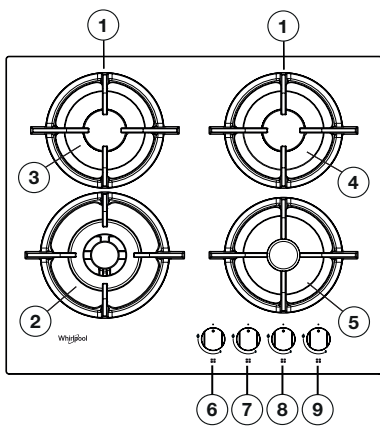
- Pärast gaasivarustuse ühendamist kontrollige seebivett kasutades võimalike lekete olemasolu. Süüdake põletid ja pöörake nupud leegi stabiilsuse kontrollimiseks maksimaalsest asendist minimaalsesse asendisse.



ELEKTRIÜHENDUSED



TOOTE KIRJELDUS



1. Eemaldatavad toidunõu alusrestid
2. 2 Rõngaga põleti
3. Poolkiire põleti
4. Poolkiire põleti
5. Täiendav põletiga
6. 2 Rõngaga põleti juhtnupp
7. Poolkiire põleti juhtnupp
8. Poolkiire põleti juhtnupp
9. Täiendav põletiga juhtnupp

Sümbolid

- Tume ring ● Kraan suletud
- Maksimaalne leek 🔥 Maksimaalne ava/etteanne ja elektrisüüde
- Minimaalne leek 🔥 Minimaalne ava või vähendatud etteanne



IGAPÄEVANE KASUTAMINE

KUIDAS PLIITI KASUTADA

⚠ Ärge laske põleti leegil ulatuda üle panni ääre.

NB! pliidi kasutamise ajal võib kogu pliidi ala muutuda kuumaks.

- Ühe põletitest süütamiseks keerake vastavat nuppu vastupäeva maksimaalse leegi asendisse.
- Põleti süütamiseks vajutage nuppu vastu juhtpaneeli.
- Kui põleti on süttinud, hoidke nuppu umbes 5-10 sekundit alla surutuna, et seade saaks korralikult tööle hakata.
- Põleti turvaseade katkestab põleti gaasivarustuse, kui leek peaks juhuslikult kustuma (ootamatu tõmbetuule, gaasivarustuse katkemise, vedeliku ülekeemise vms tõttu).
- **Nuppu ei tohi vajutada kauem kui 15 sekundit. Kui selle möödumise järel põleti ei jää põlema, oodake vähemalt üks minut enne, kui proovite uuesti süüdata.**

MÄRKUS peaks konkreetsed kohalikud gaasitarne tingimused muutma põleti süütamise raskeks, soovime korrata toimingut keerates nupu väikese leegi seadistuse peale.

Nupu vabastamisel võib leek kustuda. See tähendab, et turvaseade ei ole veel piisavalt üles soojenenud. Sellisel juhul korrake toimingut ülal kirjeldatud moel. Kui leek peaks juhuslikult kustuma, lülitage põleti välja ja oodake enne uuesti sisse lülitamist vähemalt 1 minut.

PRAKILINE NÕUANNE PÕLETITE KASUTAMISEKS

Sellel pliidil on erineva suurusega põletid. Põletite paremaks toimimiseks pidage kinni järgmistest reeglitest.

- Kasutage potte ja panne, mille põhjad on põletitega sama suured või neist kergelt suuremat (vt paremal asuvat tabelit).
- Kasutage ainult lamedapõhjalisi potte ja panne.
- Kasutage toiduvalmistamiseks õiget kogust vett ja hoidke potil kaas peal.
- Jälgige, et restid asuvad potid ei ulatuks üle pliidiplaadi serva.
- Convex-põhjaga pannide puhul (WOK) kasutage tugiresti (ei kuulu komplekti), mida võib asetada ainult kahe rõngaga põletile.
- Vältige juhuslikke lööke pliidiplaadile pannide, restide või muude köögitarvikutega.
- Ärge jätke tühja lihigrilli sisse lülitatud põletile kauemaks kui 5 minutit.

NB! restide vale kasutamine võib kahjustada pliiti: ärge asetage reste alumine külg üles poole ega lohistage neid üle pliidi.

PÕLETI	POTI Ø
2 Rõngaga	24 kuni 26 cm
Poolkiire	16 kuni 22 cm
Täiendav	8 kuni 14 cm

Ärge kasutage:

- Malmrestid, ääriskivid, põletatud savist potid ja pannid.
- Soojushajutid, nagu metallvõrk või mõni teine tüüp.
- Kaks põletid üheaegselt ühele kuumutatavale esemele (näiteks katlale).

Keedualale mahaläänud vedelikud võivad põhjustada klaasi purunemise.

REGULEERIMINE VASTAVALT ERINEVATELE GAASITÜÜPIDELE

⚠ Seda toimingut võivad teostada ainult kvalifitseeritud tehnikud.

Kui seadet kavatsetakse asuda kasutama nimiplaadil ja pliidiplaadi peal asuval infosildil märgitud gaasist erineva gaasiga, tuleb düüsid välja vahetada. Eemaldage infosilt ja hoidke see koos juhendiga alles.

Kasutage juhendis märgitud gaasirõhule sobivaid rõhuregulaatoreid.

- Gaasidüüsi peab vahetama garantiiremonditeenindus või kvalifitseeritud tehnik.
- Seadmega kaasas mitte olevad düüsid tuleb tellida garantiiremonditeenindusest.
- Reguleerige vastavalt kraanide miinimumseadistusele.

MÄRKUS veeldatud naftagaasi kasutamisel (G30/G31), tuleb minimaalse gaasiseade kruvi lõpuni kinni keerata.

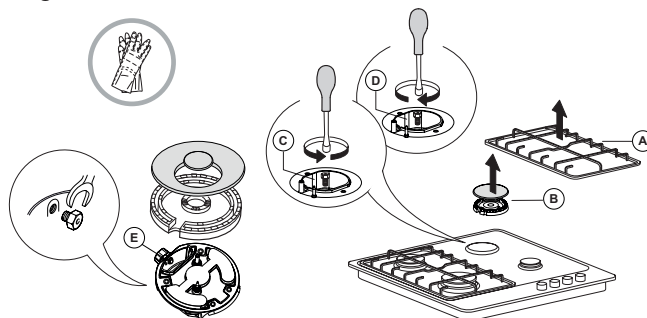
NB! kui põleti nuppude keeramine on muutunud raskeks, võtke palun ühendust garantiiremonditeenindusega, et vajaduse korral põleti kraan välja vahetada.

NB! gaasiballoon kasutamisel peab gaasiballoon või -mahuti olema korralikult oma kohale paigutatud (vertikaalses asendis).

DÜÜSIDE VAHETAMINE (vt Ohutusjuhend düüside tabelit)

⚠ Seda toimingut võivad teostada ainult kvalifitseeritud tehnikud.

- Eemaldage võred (A).
- Võtke välja põletid (B).
- Sobiva suurusega padrunvõtit kasutades kruvige lahti eemaldatav düüs (C).
- Asendage see uuele gaasitüübile sobiva düüsiga.
- Paigaldage düüs oma kohale (D).
- Kui teil on mitme krooniga põleti, kasutage düüsi (E) vahetamiseks külgmuttervõtit.



Enne pliidi paigaldamist kinnitage kindlasti düüsidega kaasasolev gaasi kalibreerimisplaat. Kinnitage see selliselt, et see kataks kinni olemasoleva gaasi kalibreerimisega seotud teabe.

KRAANIDE MINIMAALSE GAASISEADISTUSE REGULEERIMINE

⚠ Seda toimingut võivad teostada ainult kvalifitseeritud tehnikud.

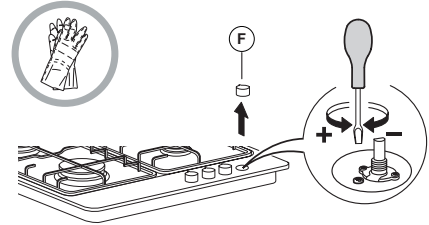
Reguleerimise ajal peab kraan olema minimaalses gaasiseadistuse asendis (väike leek) 🔥.

Põletite primaarõhku ei ole vaja reguleerida.

Selleks, et minimaalse seadistus oleks õigesti reguleeritud, eemaldage nupp (F) ja tegutsege järgmiselt:

- pingutage kruvi leegi kõrguse vähendamiseks (-);
- vabastage kruvi leegi kõrguse suurendamiseks (+);

Süüdake selles etapis põletid ja pöörake nupud leegi stabiilsuse kontrollimiseks maksimaalsest asendist 🔥 minimaalsesse asendisse 🔥.



Reguleerimise lõpul tihendage uuesti tihendusvaha või sellega võrdväärse materjaliga.

HOOLDAMINE JA PUHASTAMINE

⚠ Võtke pistik seinakontaktist välja.

PLIIDIPINNA PUHASTAMINE

- Kõik emailleeritud ja klaasist osad tuleb puhastada sooja vee ja neutraalse pesulahusega.
- Kareda vee või agressiivsete pesuvahenditega pikaajalise kokkupuute tulemusel võivad roostevabast terasest pinnad määrduda. Maha läinud vesi, kaste, kohvi jms tuleb enne kuivamist ära pühkida.
- Puhastage sooja vee ja neutraalse pesuvahendiga ning kuivatage seejärel pehme lapi või seemisnahaga. Eemaldage kinni kõrbenud mustus spetsiaalsete roostevabast terasest pindadele mõeldud puhastusvahenditega.

MÄRKUS puhastage roostevaba terast ainult pehme lapi või švammiga.

- Ärge kasutage abrasiivseid või korrodeerivaid tooteid, klooripõhiseid puhastusvahendeid ega pannide küürimisvahendeid.
- Ärge kasutage auruga puhastamise seadmeid.
- Ärge kasutage süttivaid tooteid.
- Ärge jätke pliidiplaadile happelisi või leeliselisi aineid, näiteks äädikat, sinepit, soola, suhkrut või sidrunimahla.

PLIIDI OSADE PUHASTAMINE

- Puhastage klaasi ja emailleeritud osi ainult pehme lapi või švammiga.
- Restid, põletikatted ja põletid saab puhastamise ajaks ära võtta.
- Puhastage neid käsitsi sooja vee ja mitteabrasiivse puhastusvahendiga eemaldades kõik toidujäägid ja kontrollides, et ükski põletiavadest ei oleks ummistunud.
- Loputage ja kuivatage.
- **Malmist reste võib pesta nõudepesumasinas. Eemaldage neilt enne nõudepesumasina alumisele riulile paigaldamist kõrbenud toit.**
- Pange põletid ja põletikatted õigesti oma vastavatesse kohtadesse tagasi.
- Restide tagasipanemisel jälgige, et toidunõu toetumisala oleks põletiga samal joonel.
- Elektriliste süüteküünalde ja turvaseadmega varustatud mudelid nõuavad korrektse töötamise tagamiseks küünla otsa põhjalikku puhastamist.

MÄRKUS: elektrilise süüteseadme kahjustamise vältimiseks ärge kasutage seda ajal, kui põletid ei asu oma kohal.

RIKKEOTSING

Kui pliidiplaat ei tööta korralikult, tutvuge enne garantiiremonditeenindusse helistamist probleemi kindlakstegemiseks järgneva tõrgete kõrvaldamise juhiseiga.

1. Põleti ei sütti või leek ei ole ühtlane

Kontrollige järgmist:

- Gaasi või elektrivarustus ei ole katkestatud ja et gaasivarustuskraan on avatud.
- Gaasiballoon (vedelgaas) ei ole tühi.
- Põleti avad ei ole ummistunud.
- Süüteküünla ots ei ole määrdunud.
- Kõik põleti osad on õigetes kohtades.
- Pliidiplaadi lähedal ei ole tõmbetuult.

2. Põleti ei jää põlema

Kontrollige järgmist:

- Põleti süütamisel vajutati nupule piisavalt kaua, et aktiveerida kaitseseade.
- Põleti avad ei ole termoliitmiku juures ummistunud.
- Ohutusseadme ots ei ole määrdunud.
- Minimaalne gaasiseadistus on õige (vt asjakohast jaotist).

3. Toidunõu ei ole stabiilselt

Kontrollige järgmist:

- Toidunõu põhi on täiesti sile.
- Toidunõu asub põleti keskel.
- Reste ei ole vahetatud ega valesti oma kohale paigutatud.

Kui pärast eeltoodud kontrolli ei ole tõrge kadunud, pöörduge lähima garantiiremonditeeninduse poole.

MÜÜGIJÄRGNE TEENINDUS

Parema tugiteenuse saamiseks registreerige oma seade aadressil www.whirlpool.eu/register.

ENNE MÜÜGIJÄRGSESSSE TEENINDUSSE HELISTAMIST:

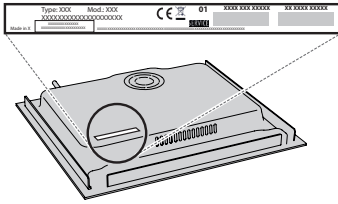
1. Proovige probleemi ise **VEAOTSINGU JUHENDIS** olevate näpunäidete abil lahendada.
2. Lülitage seade välja ja uuesti sisse, et näha, kas probleem on kõrvaldatud.

KUI VIGA JÄÄB PÜSIMA KA PÄRAST ÜLALKIRJELDATUD KONTROLLIMISI, VÕTKE ÜHENDUST LÄHIMA TEENINDUSEGA.

Abi saamiseks helistage garantiijuhendis toodud numbril või järgige juhiseid veebilehelt www.whirlpool.eu.

Kui võtate ühendust meie klientidele mõeldud müügijärgse teenindusega, olge valmis esitama järgmisi andmeid:

- tõrke lühike kirjeldus;
- seadme tüüp ja täpne mudel;



- seerianumber (number, mis järgneb seadme all oleval andmesildil tähisele SN). Seerianumber on toodud ka dokumentatsioonis;



Mod. XXX XXX

Ind.C. XXXX XXXX XXXX

Prod.N. 86999XXXXXXXX S.N. XXXX XXXX XXXX

- teie täielik aadress;
- teie telefoninumber.

Kui seadet on vaja ükskõik millisel viisil remontida, pöörduge volitatud teenindusse (see garanteerib originaalvaruosade kasutamise ja kvaliteetse remondi).

Išsamias naudotojo instrukcijas galite atsisiųsti iš svetainės <http://docs.whirlpool.eu> arba skambinkite telefonu, kuris nurodytas garantijos knygelėje.

⚠ Šios instrukcijos taikomos, jei ant prietaiso yra šalies simbolis. Jei ant prietaiso simbolio nėra, būtina vadovautis techninėmis instrukcijomis, kuriose pateikiami su prietaiso modifikacijomis susiję nurodymai, kad prietaisą būtų galima naudoti atitinkamoje šalyje.

⚠ **ĮSPĖJIMAS.** Kambaryje, kuriame įrengta ir naudojama dujinė viryklė, generuojama šiluma, drėgmė ir degimo produktai. Būtina užtikrinti, kad virtuvės ventilacija būtų tinkama, ypač, kai naudojamas prietaisas: pasistenkite, kad natūralios ventiliavimo angos būtų atviros arba sumontuokite mechaninę ventiliacijos sistemą (mechaninę ištraukimo sistemą). Jei prietaisas naudojamas ilgai ir intensyviai, gali būti reikalinga papildoma ventiliacija; pavyzdžiui, būtina atidaryti langą arba naudoti efektyvesnes ventiliavimo priemones padidinant mechaninio ventiliavimo lygį (jei įmanoma).

⚠ Tiksliai nesilaikant šiame vadove pateiktos informacijos gali kilti gaisras arba įvykti sprogimas, kuris gali sukelti asmeninių sužalojimų arba sugadinti nuosavybę.

Prieš naudodami prietaisą, perskaitykite šią saugos instrukciją. Išsaugokite jas ateičiai.

Šiame vadove ir ant prietaiso pateikti svarbūs saugos perspėjimai, kuriuos būtina perskaityti ir visada laikytis. Gamintojas neprisiima atsakomybės, jei nesilaikoma šioje saugos instrukcijoje pateiktų nurodymų, prietaisas naudojamas netinkamai arba neteisingai nustatomi valdymo įtaisai.

⚠ **ĮSPĖJIMAS.** Jei kaitlentės paviršius įskilęs, prietaiso nenaudokite – kyla elektros smūgio pavojus.

⚠ **ĮSPĖJIMAS.** Ugnies pavojus: Nelaikykite daiktų ant gaminimo paviršiaus.

⚠ **ĮSPĖJIMAS.** Stebėkite visą gaminimo procesą. Negalima palikti be priežiūros net trumpo gaminimo proceso.

⚠ **ĮSPĖJIMAS.** Jei ant kaitlentės neprižiūrint verda riebalai arba aliejus, tai gali būti pavojinga – kyla gaisro pavojus. **JOKIU BŪDU** nebandykite liepsnos gesinti vandeniui; prietaisą išjunkite ir liepsną uždenkite, pavyzdžiui, dangčiu arba liepsnai gesinti skirtu audiniu.

⚠ Kaitlentės nenaudokite kaip darbo stalo ar atramos. Kol visi prietaiso komponentai visiškai neatvės, stenkitės nepisiliesti prie prietaiso drabužiais arba kitomis lengvai užsiliepsnojančiomis medžiagomis – kyla gaisro pavojus.

⚠ Labai maži vaikai (0–3 metų) turi būti saugiu atstumu nuo prietaiso. Vyresni vaikai (3–8 metų) turi būti saugiu atstumu nuo prietaiso, nebent visą laiką yra prižiūrimi. Šį prietaisą gali naudoti vaikai nuo 8 metų ir vyresni bei asmenys, turintys psichinį, jutiminį ar protinį neįgalumą arba tie, kuriems trūksta patirties arba žinių, jeigu jie yra prižiūrimi ir instruktuojami apie saugų prietaiso naudojimą ir supranta su tuo susijusius pavojus. Neleiskite vaikams

žaisti su prietaisu. Neprižiūrimi vaikai neturėtų valyti ir prižiūrėti prietaiso.

⚠ **ĮSPĖJIMAS.** Jei sudužtų įkaitusios kaitvietės stiklas: nedelsdami išjunkite visus degiklius, elektrinius kaitinimo elementus ir atjunkite prietaisą nuo elektros maitinimo; nelieskite prietaiso paviršiaus; prietaiso nenaudokite.

Stiklinis dangtis gali įlūžti, jei jis užkaitinamas. Prieš nuleisdami dangtį išjunkite visus degiklius ir elektrines kaitvietes. Neuždarykite dangčio, jei dega degiklis.

⚠ **ĮSPĖJIMAS.** Naudojimo metu prietaisas ir pasiekiamos dalys gali įkaisti. Būkite atsargūs ir neprisilieskite prie kaitinimo elementų. Prietaisą reikia saugoti nuo jaunesnių nei 8 metų vaikų, jeigu jie nėra nuolat prižiūrimi.

LEISTINAS NAUDOJIMAS

⚠ **ĮSPĖJIMAS.** Prietaisas nėra pritaikytas valdyti naudojant išorinį perjungimo įtaisą, pvz., laikmatį, arba atskirą nuotolinio valdymo sistemą.

⚠ Šis prietaisas skirtas naudoti namuose ir panašiose patalpose, pavyzdžiui: parduotuvių, biurų ir kitų įstaigų darbuotojų virtuvėse; gyvenamuosiuose namuose-ūkiuose; viešbučiuose, moteliuose, nakvynės vietose, kur patiekiami pusryčiai (angl. „Bed and Breakfast“), bei kitose apgyvendinimo įstaigose.

⚠ Kitoks naudojimas draudžiamas (pvz., kambariams šildyti).

⚠ Šis prietaisas nėra skirtas profesionaliam naudojimui. Prietaiso nenaudokite lauke.

⚠ Naudokite puodus ir keptuves, kurių dugnas tokio paties pločio kaip degikliai arba šiek tiek didesnis (žr. toliau esančią lentelę). Žiūrėkite, kad ant grotelių padėti puodai neišsikištų už kaitlentės krašto.

⚠ Netinkamai naudodami groteles galite pažeisti kaitlentę: nedėkite grotelių atvirkščiai ir nestumkite jų per kaitlentę.

Stebėkite, kad degiklio liepsna nebūtų aukštesnė už prikaistuvio kraštą.

Jei kaitlentės paviršius pagamintas iš stiklo, nenaudokite ketaus kepimo plokščių, ollar akmenų, terakotos puodų ir keptuvių.

Nenaudokite: karščio difuzorių, pvz., metalinių tinkelių ir pan.; dviejų degiklių vienam indui (pvz., žuvies katilui).

Jei dėl konkrečiai vietai būdingų tiekiamų dujų ypatumų degikliai blogai užsidega, rekomenduojama pakartoti veiksmą nustačius mažos liepsnos nustatymą.

Jei virš viryklės montuojamas gartraukis, tinkamas jo atstumas bus nurodytas gartraukio instrukcijoje.

Maži vaikai gali užspringti apsauginiais guminiiais grotelių padeliais. Nuėmę groteles įsitikinkite, kad padeliai tinkamai uždėti.

ĮRENGIMAS

⚠ Prietaisą perkelti ir įrengti turi du ar daugiau žmonių. Priešingu atveju galite susižeisti. Mūvėkite apsaugines pirštines, kai išpakuojate ir montuojate prietaisą. Priešingu atveju galite įsipjauti.

⚠ Elektros ir dujų jungtys turi atitikti vietos reglamentus.

⚠ Įrengimą, taip pat prijungimo prie vandentiekio bei elektros tinklo darbus bei remontą turi atlikti kvalifikuotas technikas. Prietaisą remontuoti ar jo dalis keisti galima tik tuo atveju, jei tai nurodyta naudotojo vadove. Pasirūpinkite, kad įrengimo vietoje nebūtų vaikų. Išpakavę prietaisą, patikrinkite, ar jis nebuvo pažeistas pervežant. Jei kyla problemų, kreipkitės į prekybos atstovą arba artimiausią

techninės priežiūros centrą. Įrengus prietaisą, pakuotes medžiagas (plastiką, polistireno dalis ir pan.) būtina laikyti vaikams nepasiekiamoje vietoje – kyla uždusimo pavojus. Prieš vykdant bet kokius įrengimo darbus, prietaisą būtina išjungti iš elektros tinklo – elektros smūgio pavojus. Pasirūpinkite, kad įrengiant prietaisą nepažeistų maitinimo laidu – gaisro ar elektros smūgio pavojus. Prietaisą įjungti galima tik baigus įrengimo darbus.

⚠ **ĮSPĖJIMAS.** Labai svarbu tinkamai modifikuoti ir sumontuoti prietaisą, kad jį būtų galima saugiai ir tinkamai naudoti visose papildomose šalyse.

⚠ Naudokite instrukcijoje nurodytą dujų slėgiui tinkamus slėgio reguliatorius.

⚠ Patalpoje turi būti sumontuota oro ištraukimo sistema, kuri pašalintų visus degimo metu išsiskiriančius garus.

⚠ Patalpoje turi būti užtikrinta tinkama oro cirkuliacija, nes oras yra būtinas normaliam degimui. Oro srautas neturi būti mažesnis nei 2 m³/h vienam kW.

⚠ Oro cirkuliacijos sistema gali imti orą tiesiogiai iš lauko; tam gali būti naudojamas vamzdis, kurio vidinis skersmuo yra bent 100 cm²; anga turi būti apsaugota, kad jos niekas neužblokuotų.

⚠ Degimui būtina orą sistema gali tiekti ir netiesiogiai, t. y. iš gretimų patalpų, kuriose (kaip buvo nurodyta anksčiau) yra sumontuoti oro cirkuliacijos vamzdžiai. Tai negali būti gyvenamieji kambariai, miegamieji arba patalpos, kuriose didelė gaisro grėsmė.

⚠ Suskystintos naftos dujos yra sunkesnės už orą, todėl leidžiasi žemyn prie grindų. Patalpose, kuriose yra LPG talpyklos, turi būti įrengta ventiliacija, kad esant nutekėjimui dujos galėtų išeiti. Dėl šios priežasties LPG talpyklos (pusiau arba visiškai pilnos) negali būti įrengiamos arba laikomos po žeme esančiose patalpose arba sandėliuose (rūsiuose ir pan.) Patalpoje rekomenduojame turėti tik tuo metu naudojamą talpyklą ir ji turi būti laikoma atokiau nuo karštų generuojančių šaltinių (orkaičių, židinių, viryklių ir pan.), dėl kurių talpyklos temperatūra galėtų pakilti daugiau nei 50 °C. Jei sunkiai sukiojasi degiklių rankenėlės, kreipkitės į techninės priežiūros centrą, kad defektų turinti rankenėlė būtų pakeista. Draudžiama uždengti ventiliacijai ir šilumos išleidimui naudojamą angą.

⚠ Spintelės pjovimo darbus atlikite prieš montuodami orkaitę į baldus ir gerai nuvalykite visas medienos drožles bei pjuvenas.

⚠ Jei prietaisas nėra montuojamas virš orkaitės, po prietaisu reikia įstatyti skiriamąją plokštę (nepriedama).

DUJŲ PRIJUNGIMAS

⚠ **ĮSPĖJIMAS:** Prieš pradėdami montavimą įsitinkite, kad vietinės skirstymo sąlygos (dujų rūšis ir dujų slėgis) ir prietaiso suregulavimai yra suderinami.

⚠ Patikrinkite, ar tiekiamų dujų slėgis atitinka lentelėje „Degiklio ir antgalio techniniai duomenys“ nurodytas reikšmes.

⚠ **ĮSPĖJIMAS:** Šio prietaiso reguliavimo sąlygos nurodomos etiketėje (arba duomenų lentelėje).

⚠ **ĮSPĖJIMAS:** Šis prietaisas neprijungtas prie dūmų ištraukimo įrenginio. Jis turi būti montuojamas ir prijungiamas laikantis galiojančių montavimo reikalavimų.

Atkreipkite ypatingą dėmesį į reikalavimus, susijusius su vėdinimu.

⚠ Jei prietaisas jungiamas prie suskystintų dujų, reguliavimo varžtas turi būti užveržtas kuo tvirčiau.

⚠ **SVARBU.** Įdedamas dujų cilindras ar dujų balionas turi būti tinkamai įstatytas (vertikaliajoje padėtyje).

⚠ **ĮSPĖJIMAS.** Šią procedūrą turi atlikti kvalifikuotas specialistas.

⚠ Naudokite tik dujų jungtims skirtas lankščias arba kietas metalines žarnas.

⚠ Prijungimas prie kieto vamzdelio (varinio arba plieninio) Prijungimas prie dujų sistemos turi būti atliktas taip, kad jokia prietaiso dalis nepatirtų apkrovos. Prietaisas pristatomas su reguliuojamu L formos vamzdžio detale, kuri naudojama kaip sandariklis, apsaugantis nuo nutekėjimo. Pasukus vamzdžio detalę, būtina visada pakeisti sandariklį (sandariklis pateikiamas kartu su prietaisu). Dujų tiekimo vamzdžio detalė – srieginis 1/2 dujų talpyklos cilindrinis priedas.

⚠ Lankstaus vientiso nerūdijančio plieno vamzdelio prijungimas prie srieginio priedo. Dujų tiekimo vamzdžio detalė – srieginis 1/2 dujų talpyklos cilindrinis priedas. Šie vamzdžiai turi būti prijungti taip, kad juos ištiesus jie nebūtų ilgesni nei 2000 mm. Prijungę patikrinkite, ar lankstus metalinis vamzdis nesiliečia su jokiais judančiomis dalimis ir nėra suspaustas. Naudokite tik vietinių įstatymų reikalavimus atitinkančius vamzdžius ir sandariklius.

⚠ **SVARBU.** Jei naudojama nerūdijančiojo plieno žarna, ją reikia sumontuoti taip, kad ji nesiliestų prie jokios judančios baldo dalies (pvz., stalčiaus). Ji turi būti nutiesta taip, kad nebūtų kliūčių ir, kiek įmanoma, būtų galima prieiti patikrinti ją per visą ilgį.

⚠ Prie pagrindinės dujų tiekimo sistemos arba dujų talpyklos prietaisas turi būti prijungtas taip, kaip tai numatoma vietiniuose įstatymų reikalavimuose. Prieš prijungdami įsitinkite, ar prietaisas yra suderinamas su norima naudoti dujų tiekimo sistema. Jei ne, vadovaukitės nurodymais, kurie pateikiami skyriuje „Pritaikymas įvairių tipų dujoms“.

⚠ Po prijungimo prie dujotiekio su muilinu vandeniu patikrinkite, ar nėra nuotėkio. Uždekite degiklį, pasukite rankenėlę iš maksimalios liepsnos padėties 1* į minimalios liepsnos padėtį 2* ir patikrinkite liepsnos stabilumą.

PRITAIKYMAS ĮVAIRIŲ TIPŲ DUJOMS

(Šią procedūrą turi atlikti kvalifikuotas specialistas).

⚠ Jei prietaisą reikia pritaikyti kitokioms dujoms, nei jis buvo sukurtas (nurodoma duomenų plokštelėje), atlikite veiksmus, kurie yra nurodyti po montavimo brėžiniais.

ĮSPĖJIMAI DĖL ELEKTROS

⚠ **SVARBU.** Informacija apie srovės ir įtampos sąnaudas pateikiama duomenų lentelėje.

⚠ Prietaisą reikia sumontuoti taip, kad jį būtų galima išjungti iš elektros tinklo ištraukus maitinimo laidu kištuką arba kielektroslizdo pagal sujungimų taisyklės sumontuotu daugiapoliu jungikliu ir prietaisas turi būti žemintas pagal nacionalinius elektros saugos standartus.

⚠ Maitinimo laidas turi būti pakankamai ilgas, kad įstačius į korpusą, jo ilgio pakaktų norint įjungti į elektros lizdą. Netempkite prietaiso maitinimo laido.

⚠ Nenaudokite ilginamųjų laidų, tinklo lizdo skirstytuvų ir adapterių. Prietaisą įrengus, jo elektros komponentai turi būti nepasiekiami naudotojui. Prietaiso nenaudokite, jei jūsų kūnas yra drėgnas arba esate basi. Šio prietaiso nenaudokite, jei pažeistas jo maitinimo laidas arba kištukas, jei prietaisas veikia netinkamai arba jei jis yra pažeistas ar buvo numestas.

⚠ Jei maitinimo laidas pažeistas, jį tokiu pačiu turi pakeisti gamintojas, jo įgaliotas techninės priežiūros darbuotojas ar kitas kvalifikuotas asmuo – taip išvengsite elektros šoko pavojaus.


VALYMAS IR PRIEŽIŪRA

⚠ ĮSPĖJIMAS. Prieš atlikdami bet kokius techninės priežiūros darbus, prietaisą išjunkite ir atjunkite nuo elektros tinklo, kad nekiltų elektros smūgio pavojus; jokių būdų nenaudokite valymo garais įrenginių – kyla elektros smūgio pavojus.

⚠ Nenaudokite abrazyvių arba koroziją sukeliančių medžiagų, chloro valiklių ir metalinių šveistukų keptuvėms.

⚠ Kad nepažeistumėte elektros degimo įtaiso, nenaudokite jo, kai degikliai nėra įstatyti.

PAKAVIMO MEDŽIAGŲ IŠMETIMAS


Pakavimo medžiagos yra 100 % perdirbamos ir pažymėtos perdirbimo simboliu .

Todėl įvairias pakuotės medžiagas reikia išmesti labai atsakingai ir griežtai laikantis vietos institucijų reglamentų, reguliuojančių atliekų išmetimą.

BUITINIŲ PRIETAISŲ ŠALINIMAS

Šis prietaisas pagamintas naudojant perdirbamas arba pakartotinai naudojamas medžiagas. Prietaisą išmeskite paisydami vietos atliekų išmetimo reglamentų. Dėl išsamesnės informacijos apie buitinių elektrinių prietaisų apdorojimą, utilizavimą ir perdirbimą kreipkitės į įgaliotą vietos instituciją, buitinių atliekų surinkimo įmonę arba parduotuvę, kurioje pirkote prietaisą. Šis prietaisas paženklintas pagal Europos direktyvos 2012/19/ES dėl elektros ir elektronikos įrangos atliekų (EEJA) reikalavimus ir pagal elektros ir elektronikos įrangos atliekų 2013 m. reikalavimus (pataisas).

Tinkamai utilizuodami šį gaminį apsaugosite aplinką ir sveikatą nuo galimo neigiamo poveikio.

Ant prietaiso arba pridedamų dokumentų esantis simbolis  nurodo, kad su šiuo prietaisu negalima elgtis kaip su buitinėmis šiukšlėmis. Jį reikia atiduoti į atitinkamą surinkimo skyrių, kad elektros ir elektronikos įranga būtų perdirbta.

ENERGIJOS TAUPYMO PATARIMAI

Naudokite puodus arba keptuves, kurių dugnai kaitviečių dydžio.

Naudokite tik plokščiadugnius puodus ir keptuves.

Jeigu įmanoma, puodus visada uždenkite dangčiais.

Naudokite greitpuodį ir taupykite energiją ir laiką.

ATITIKTIES DEKLARACIJA

Šis prietaisas atitinka ekologinio projektavimo reikalavimus, numatytus Europos reglamente Nr. 66/2014 ir ekologinio projektavimo reikalavimus su energija susijusiems gaminiams ir energijos informacijos (pataisa) (išėjimas iš ES) 2019 m. reglamentą, vadovaujantis Europos standartu EN 30-2-1.

Tipas Duju Naudojamas	Tipo Degikliui	Purkštuko	Nominali Šildymo Galia kW	Nominali Vartojimas	Sumažinta Šilumos Galia kW	Duju slegis mbar		
						maži.	nomin.	didži.
GAMTINES DUJOS (Metanas) G20	Pusinio greičio (SR)	97 A	1,65	157 l/val.	0,40	17	20	25
	Papildomas (AUX)	78 A	1,00	95 l/val.	0,40			
	2 Žiedų(DC)	140 H1	3,50	333 l/val.	2,20			
SUSKYSTINTOS NAFTOS DUJOS (Butanas) G30	Pusinio greičio (SR)	66 A	1,65	120 g/val.	0,40	20	30	35
	Papildomas (AUX)	50	1,00	73 g/val.	0,40			
	2 Žiedų(DC)	91	3,30	240 g/val.	2,20			
SUSKYSTINTOS NAFTOS DUJOS (Propanas) G31	Pusinio greičio (SR)	66 A	1,65	118 g/val.	0,40	20	30	35
	Papildomas (AUX)	50	1,00	71 g/val.	0,40			
	2 Žiedų(DC)	91	3,30	236 g/val.	2,20			

Tipas Duju Naudojamas	Modelis konfigūracija 4 DEGIKLIAI	Nominali Šildymo galia (kW)	Total nominali vartojimas	Reikalingas oras (m ³) duju degimo 1m ³
G20 20 mbar	2SR - 1AUX - 1DC	7,80	743 l/val.	9,52
G30 30 mbar	2SR - 1AUX - 1DC	7,60	553 g/val.	30,94
G31 30 mbar	2SR - 1AUX - 1DC	7,60	543 g/val.	23,80

MAITINIMO ŠALTINIS: 220-240 V ~ 50-60 Hz - 1,1 W

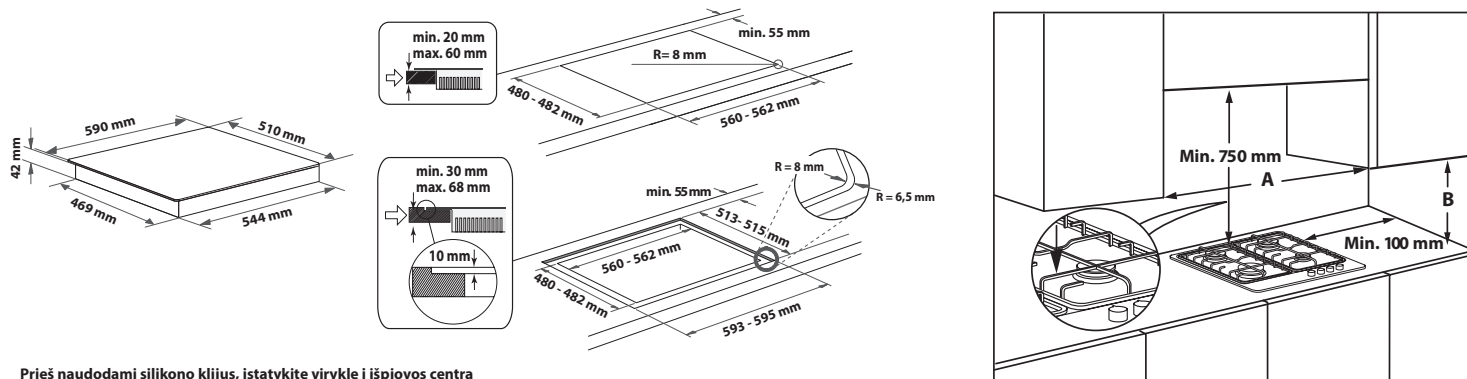


ĮRENGIMAS (3 KLASĖ)

TECHNINĖ INFORMACIJA MONTUOTOJUI

- Naudokite apsaugines pirštines gaminio tvarkymui, paruošimui ir montavimui.
- Šį gaminį galima įrengti 20–60 mm storio stalviršyje, su standartine instaliacija. Dėl nuleidimo įrenginį 30 ± 68 mm.
- Jeigu viryklė orkaitės nėra, įkiškite skiriamąją plokštę, kurios paviršiaus plotas būtų bent jau toks pat, kaip ir darbinio paviršiaus angos plotas. Ši plokštė turi būti ne didesniu negu 150 mm atstumu žemiau viršutinio darbinio paviršiaus, tačiau jokia būdu ne mažesniu negu 20 mm atstumu nuo viryklės viršaus. Jei po virykle planuojate sumontuoti orkaitę, įsitikinkite, kad joje yra įrengta aušinimo sistema.

MATMENYS IR ATSTUMAI, KURIŲ BŪTINA PAISYTI



Prieš naudodami silikono klijuos, įstatykite viryklę į išpjovos centrą

PASTABA: jei atstumas „A“ tarp sieninių spintelių yra nuo 600mm iki 730 mm, aukštis B turi būti mažiausiai 530 mm. Jei atstumas „A“ tarp sieninių spintelių yra didesnis nei viryklės plotis, aukštis „B“ turi būti mažiausiai 400 mm. Jei virš viryklės montuojamas gartraukis, tinkamų atstumų ieškokite gartraukio instrukcijoje.

MONTAVIMAS

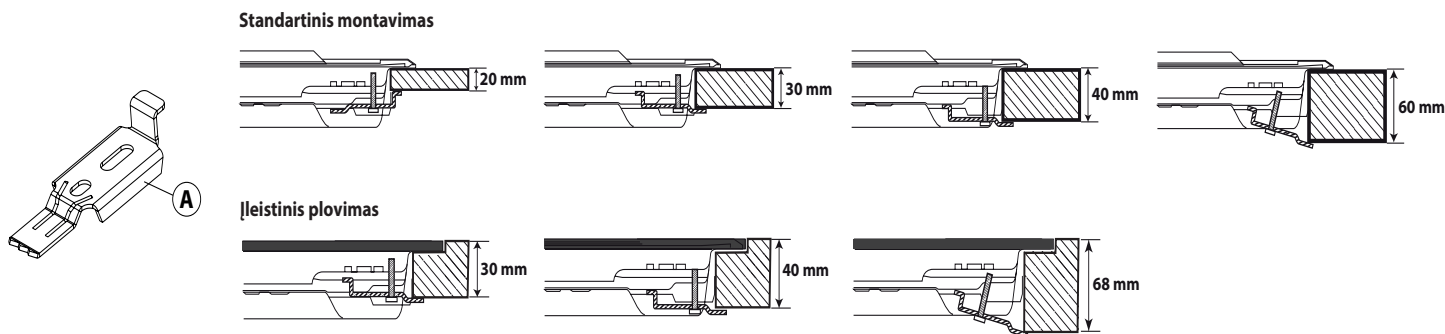
Naualę paviršių, ant viryklės uždėkite pateikiamą tarpiklį, kaip pavaizduota paveikslėlyje.

Viryklę įrenkite stalviršio išpjovoje; išpjova turi būti išpjauta pagal instrukcijose pateiktus matmenis.

PASTABA: elektros maitinimo kabelis turi būti pakankamai ilgas, kad jį būtų galima traukti aukštyn.

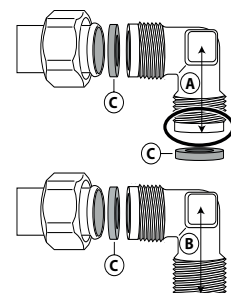


Viryklei sutvirtinti naudokite su ja pateikiamus kronšteinus (A). Kronšteinus sumontuokite atitinkamose angose, kurias nurodo rodyklės, ir juos priveržkite jiems skirtais varžtais atsivėldami į stalviršio storį (žr. toliau pateiktas vertes).

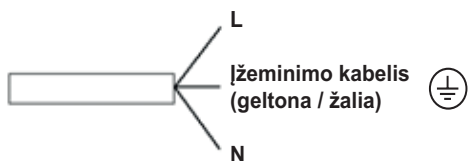


DUJŲ PRIJUNGIMAS

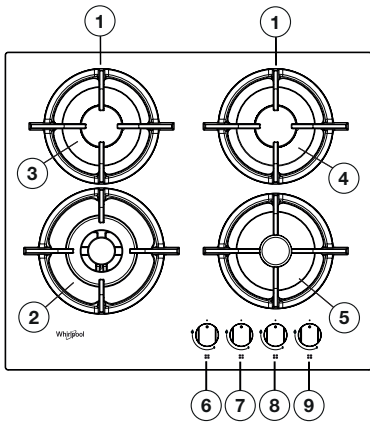
- Pateikiamą alkūnę (A)* arba (B)* prijunkite prie viryklės įleidžiamojo tinklo vamzdžio ir tarp jų naudokite pateikiamą tarpiklį (C) paisydami EN 549 standarto.
- * Prancūzijoje naudokite alkūnę (A), o kitose šalyse – alkūnę (B).
- Prijungę dujų tiekimą, naudodami muiluotą vandenį patikrinkite, ar nėra pratekėjimo. Uždekite degiklius ir rankenėles sukite nuo maksimalios padėties iki minimalios padėties kad patikrintumėte liepsnos stabilumą.



ELEKTROS JUNGTYS



VALDYMO SKYDELIS



1. Nuimamos grotelės puodams ir keptuvėms
2. 2 Žiedų degiklis
3. Pusinio greičio degiklis
4. Pusinio greičio degiklis
5. Papildomas degiklis
6. 2 Žiedų degiklio valdymo rankenėlė
7. Pusinio greičio degiklio valdymo rankenėlė
8. Pusinio greičio degiklio valdymo rankenėlė
9. Papildomo degiklio valdymo rankenėlė

Simboliai

- Pritemdytas apskritimas ● Uždarytas čiaupas
- Didžiausia liepsna Maksimaliai atidaryta/tiekimas ir Elektrinis uždegiklis
- Mažiausia liepsna Minimaliai atidaryta arba tiekimas ribojamas

KASDIENIS NAUDOJIMAS

KAIP NAUDOTI VIRYKLĘ

! Pasirūpinkite, kad degiklio liepsna nebūtų aukštesnė už prikaistuvio kraštą.

SVARBU: kai viryklė naudojama, gali įkaisti visas viryklės plotas.

- Norėdami uždegti vieną iš degiklių, prieš laikrodžio rodyklę pasukite atitinkamą rankenėlę ir ją nustatykite ties maksimalaus dydžio liepsnos simboliu.
- Degiklis užsidegs šią rankenėlę paspaudus į valdymo skydelį.
- Užsidegus degikliui, rankenėlę palaikykite nuspaudę apytikriai 5–10 sekundžių, kad prietaisas tinkamai veiktų.
- Jei liepsna atsitiktinai užgesta (dėl staigaus skersvėjo, dujų tiekimo pertrūkio, išsiliejusio verdančio skysčio ir pan.), šis apsauginis degiklio įtaisas atjungia dujų tiekimą.
- Rankenėlės negalima laikyti nuspaudus ilgiau nei 15 sekundžių. Jei šiam laikui pasibaigus degiklis nedega, prieš mėgindami jį uždegti dar kartą palaukite mažiausiai vieną minutę.**

PASTABA: jei dėl konkrečiai vietai būdingų tiekiamų dujų ypatumų degikliai blogai užsidega, rekomenduojama bandyti uždegti rankenėlę nustačius ties mažos liepsnos nuostata.

Rankenėlę atleidus degiklis gali užgesti. Tai reiškia, kad apsauginis įtaisas nepakankamai įšilo. Tokiu atveju pakartokite anksčiau aprašytus veiksmus. Jei liepsna netyčia užgestų, išjunkite degiklį ir prieš degdami pakartotinai palaukite bent 1 minutę.

PRAKTIŠKI PATARIMAI DĖL DEGIKLIŲ NAUDOJIMO

Šios viryklės degiklių diametrai skirtingi. Tam, kad degikliai kuo geriau veiktų, paisykite šių taisyklių:

- Naudokite tokius puodus ir keptuves, kurių dugnas yra tokio paties pločio kaip ir degikliai arba šiek tiek didesni už juos (žr. dešinėje pusėje esančią lentelę).
- Naudokite tik plokščiadugnius puodus ir keptuves.
- Maistui gaminti naudokite tinkamą kiekį vandens ir puodą uždenkite.
- Žiūrėkite, kad ant grotelių padėti puodai neišsikištų už viryklės krašto.
- Jei prikaistuvio dugnai išgaubti (WOK), naudokite pateikiamas atramines grotelės; jas reikia dėti tik ant 4 žiedų degiklio.
- Saugokitės, kad nesutrenktumėte kaitlentės su kaistuvais, grotelėmis ir kt. virtuvės reikmenimis.
- Nepalikite tuščių kepsniams skirtų grotelių ant uždegto degiklio ilgiau nei 5 minutes.

SVARBU: netinkamai naudojant grotelės, viryklę galima pažeisti: grotelių nedėkite atvirščiai, jų ant viryklės netraukykite.

DEGIKLIS	Ø PUODO
2 Žiedų	Nuo 24 iki 26 cm
Pusinio greičio	Nuo 16 iki 22 cm
Papildomas	Nuo 8 iki 14 cm

Nenaudokite:

- ketaus keptuvių, muilo akmens, terakotos prikaistuvių ir keptuvių;
- šilumos sklaidytuvų, pavyzdžiui, metalinių tinklėlių ar kitokio tipo priemonių;

- dviejų degiklių vienam virduliui (pvz., žuvies virduliui).

Skysčiai išsiliejo ant karšto viryklės srityje gali sukelti stiklo žalą.

PRITAIKYMAS ĮVAIRIEMS DUJŲ TIPAMS

! Šį darbą turi atlikti kvalifikuotas technikas.

Jei prietaise ketinama naudoti kito tipo dujas, o ne to tipo, kuris nurodytas duomenų plokštelėje ir informacinėje etiketėje, kuri yra ant viryklės viršaus, pakeiskite purkštukus.

Nuimkite informacinę etiketę ir ją laikykite kartu su instrukcijų knygele.

Naudokite slėgio reguliatorius, kurie tinka instrukcijoje nurodytam dujų slėgiui:

- dujų antgalių pakeitimą turi atlikti techninės priežiūros po pardavimo tarnyba arba kvalifikuotas specialistas;
- dėl antgalių, kurie nepateikiami su prietaisu, užsakymo kreipkitės techninės priežiūros po pardavimo tarnyba;
- sureguliuokite minimalų čiaupų nustatymą.

PASTABA: jei naudojamos skystos naftos dujos (G30/G31), minimalaus dujų tiekimo nustatymo varžtą būtina priveržti kuo stipriau.

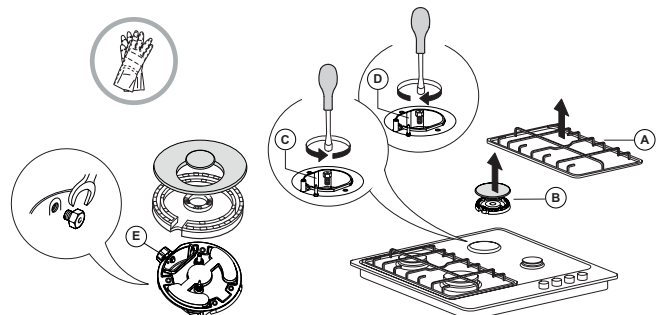
SVARBU: jei sunku pasukti degiklių rankenėles, kreipkitės į techninės priežiūros po pardavimo tarnybą, kad būtų pakeistas degiklio čiaupas (jei nustatoma, kad jis sugedęs).

SVARBU: įdedamas dujų cilindras ar dujų balionas turi būti tinkamai įstatytas (vertikaliajame padėtyje).

PURKŠTUKŲ PAKEITIMAS (žr. Saugos instrukcijų esančią purkštukų lentelę)

! Šį darbą turi atlikti kvalifikuotas technikas.


- Nuimkite grotelės (A).
- Ištraukite degiklius (B).
- Tinkamo dydžio lizdiniu veržliarakčiu išsukite purkštuką (C), kurį norite pakeisti.
- Jį pakeiskite purkštuku, tinkančiu naujam dujų tipui.
- Vėl sumontuokite purkštuką (D).
- Jei naudojamas kelių karūnėlių degiklis, naudokite šoninį veržliarakčių purkštukui (E) pakeisti.



Prieš įrengdami viryklę nepamirškite pritvirtinti su purkštukais pateiktos dujų kalibravimo plokštelės; ją pritvirtinkite taip, kad plokštelė uždengtų dabar matomą informaciją apie dujų kalibravimą.

KAIP SUREGULIUOTI ČIAUPŲ MINIMALŲ DUJŲ TIEKIMO NUSTATYMĄ



⚠ Šį darbą turi atlikti kvalifikuotas technikas.

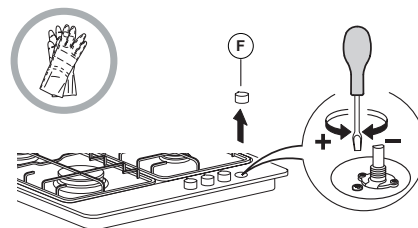
Reguliuoti reikia čiaupui esant nustatytam minimalaus dujų tiekimo nustatymo padėtyje (maža liepsna) .

Pirminio degiklių oro reguliuoti nereikia.

Norėdami patikrinti, ar teisingai sureguliuotas minimalus nustatymas, nuimkite rankenėlę (F) ir atlikite tokius veiksmus:

- varžtą priveržkite liepsnos aukščiui sumažinti (-);
- varžtą atveržkite liepsnos aukščiui padidinti (+).

Dabar uždekite degiklius ir rankenėles iš maksimalios padėties  pasukite į minimalią padėtį , kad patikrintumėte liepsnos stabilumą.



Baigę reguliuoti, vėl sandarinkite naudodami sandarinimo laką arba tolygią medžiagą.

PRIEŽIŪRA IR VALYMAS

⚠ Nuo prietaiso atjunkite elektros maitinimą.

KAIP VALYTI VIRYKLĖS PAVIRŠIŲ

- Visas emaliuotas ir stiklines dalis valykite šiltu vandeniu ir neutraliu tirpalu.
- Kalkingas vanduo arba stipraus poveikio valomosios priemonės ant nerūdijančio plieno paviršių gali palikti dėmių, jei šis paviršius turės ilgalaikį kontaktą su tokiais skysčiais. Išsiliejusį maistą (vandenį, padažą, kavą ir kt.) reikia nuvalyti prieš jam išdžiūvant.
- Valykite šiltu vandeniu ir neutraliu plovikliu, po to nusausinkite minkštu audiniu arba zomša. Prikepusius nešvarumus valykite specialiais valikliais, skirtais valyti nerūdijančio plieno paviršius.

PASTABA: nerūdijantį plieną valykite tik minkštu audiniu arba kempinėle.

- Nenaudokite abrazyvinių ar korozinių medžiagų, chloro pagrindo valiklių ir metalinių šveistukų prikaistuvams valyti.
- Nenaudokite valymo garais prietaisų.
- Nenaudokite degių medžiagų.
- Ant viryklės nepalikite rūgšties arba šarminių medžiagų, pavyzdžiui, acto, garstyčių, druskos, cukraus ar citrinų sulčių.

KAIP VALYTI VIRYKLĖS DALIS

- Stiklines ir emaliuotas detales valykite tik minkštu skudurėliu ar kempine.
- Groteles, degiklio antgalius ir degiklius galima nuimti ir nuvalyti.
- Valykite rankomis, su šiltu vandeniu ir nebraižančiu plovikliu, nuvalykite maisto likučius ir patikrinkite, ar neužsikimšusios degiklių angos.
- Nuskalaukite ir išdžiovinkite.
- **Ketaus grotelės galima plauti indaplovėje. Pašalinkite nuo grotelių pridegusius maisto likučius, tada įdėkite grotelės į indaplovę ant pačios žemiausios lentynos.**
- Vėl teisingai uždėkite degiklius ir antgalius ant jų korpusų.
- Kai uždedate grotelės, įsitikinkite, kad keptuvės padėklų sritis yra išlygiuota su degikliu.
- Modelius su elektriniais degimo kištukais ir apsauginiu įtaisu reikia atidžiai nuvalyti ties kištuko galu, kad jie veiktų tinkamai. Juos dažnai patikrinkite, prireikus nuvalykite drėgnu skudurėliu. Prikepusį maistą reikia pašalinti su dantų krapštuku ar adata.

PASTABA: kad nepažeistumėte elektros degimo įtaiso, nenaudokite jo, kai degikliai nėra įstatyti.

TRIKČIŲ ŠALINIMAS

Jei viryklė blogai veikia, prieš skambindami techninės priežiūros po pardavimo tarnybai perskaitykite trikčių šalinimo vadovą problemai nustatyti.

1. Degiklis neužsidega arba liepsna netolygi

Patikrinkite:

- ar neatjungtas dujų tiekimas arba elektros maitinimas, ar neužsuktas dujų tiekimo čiaupas;
- ar netuščias dujų balionas (susystintų dujų);
- ar neužsikimšusios degiklių angos;
- ar neužsiteršęs kištuko galas;
- ar visos degiklių dalys yra teisingoje padėtyje;
- ar arti viryklės nekyla skersvėjai.

2. Degiklis užgęsta

Patikrinkite:

- ar degiklio uždegimo metu rankenėlė laikoma nuspausta pakankamai ilgai, kad suveiktų apsauginis įtaisas;
- ar neužsikimšusios degiklių angos ties termoelementu;
- ar neužsiteršė apsauginio įtaiso galas;
- ar teisingai nustatyta minimalaus dujų tiekimo nuostata (skaitykite atitinkamą skyrių).

3. Indai stovi nestabiliai

Patikrinkite:

- ar puodo dugnas visiškai lygus;
- ar puodas stovi degiklio centre;
- ar nesukeistos grotelės, ar jos pastatytos teisingoje padėtyje.

Jei po aukščiau minėtų patikrinimų problemos nėra išspręstos, kreipkitės į artimiausią techninės priežiūros po pardavimo tarnybą.

TECHNINĖS PRIEŽIŪROS CENTRAS

Kad galėtumėte tinkamai pasinaudoti pagalba, užregistruokite gaminį svetainėje www.whirlpool.eu/register.

PRIEŠ KREIPDAMIESI Į TECHNINĖS PRIEŽIŪROS CENTRĄ:

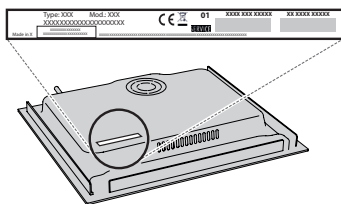
1. Vadovaudamiesi skyriaus **TRIKČIŲ ŠALINIMAS** patarimais pamėginkite problemą pašalinti patys.
2. Prietaisą išjunkite ir vėl įjunkite, kad patikrintumėte, ar triktis nepašalinama.

JEI ATLIKUS ŠIAS PATIKRAS TRIKTIS NEPAŠALINAMA, KREIPKITĖS Į ARTIMIAUSIĄ TECHNINĖS PRIEŽIŪROS CENTRĄ.

Jei reikia pagalbos, skambinkite garantiniame lankstinuke nurodytu numeriu arba vykdykite nurodymus, pateikiamus svetainėje www.whirlpool.eu.

Kreipdamiesi į techninės priežiūros centrą visada nurodykite:

- trumpą gedimo aprašymą;
- prietaiso tipą ir tikslų modelį;



- serijos numeris (numeris nurodomas po žodžio SN techninių duomenų plokštelėje). Serijos numeris taip pat yra nurodytas dokumentacijoje;



Mod. XXX XXX

Ind.C. XXXX XXXX XXXX

Prod.N. 86999XXXXXXX S.N. XXXX XXXX XXXX

- savo tikslų adresą;
- savo telefono numerį.

Jei reikalingas remontas, kreipkitės į įgaliotą techninės priežiūros centrą (tada turėsite garantiją, jog bus naudojamos originalios atsarginės dalys ir remontas bus atliktas tinkamai).

DROŠĪBAS NORĀDĪJUMI

Lejupielādējiet pilno instrukciju rokasgrāmatu vietnē <http://docs.whirlpool.eu> vai piezvaniet uz tālruna numuru, kas norādīts garantijas bukletā.

⚠ Šie norādījumi ir spēkā, ja uz ierīces redzams valsts simbols. Ja uz ierīces simbola nav, jāapskata tehniskie norādījumi, kuros sniegtas nepieciešamās instrukcijas attiecībā uz ierīces modificēšanu atbilstoši valstī noteiktajiem lietošanas nosacījumiem.

⚠ **UZMANĪBU:** Gāzes ierīces ēdiena gatavošanai lietošanas rezultātā telpā, kurā tā uzstādīta, rodas siltums, mitrums un degšanas produkti. Nodrošiniet, ka virtuve ierīces lietošanas laikā tiek labi ventilēta: turiet dabiskās ventilācijas atveres atvērtas vai uzstādiet mehāniskās ventilācijas ierīci (mehānisko velkmes ventilatoru). Ilgstoši intensīvi lietojot šo ierīci, var būt nepieciešama papildu ventilācija, piemēram, atverot logu, vai efektīvāka ventilācija, palielinot jaudu mehāniskajai ventilācijai, ja tāda ir.

⚠ Ja netiek ievērota šajā rokasgrāmatā sniegtā informācija, var izcelties ugunsgrēks vai sprādziens, kas var izraisīt bojājumus īpašumam vai miesas bojājumus. Pirms ierīces lietošanas izlasiet šos drošības norādījumus. Saglabājiet šos norādījumus, lai vēlāk varētu tos pārlasīt. Šī rokasgrāmata un pati ierīce sniedz svarīgus drošības brīdinājumus, kas ir jāizlasa un vienmēr jāievēro. Ražotājs neuzņemas atbildību par bojājumiem, kas radušies nepiemērotas lietošanas vai nepareizu vadības elementu iestāšanās dēļ.

⚠ **BRĪDINĀJUMS!** Neizmantojiet ierīci, ja plīts virsma ir saplaisājusi – pastāv strāvas trieciena risks.

⚠ **BRĪDINĀJUMS!** Aizdegšanās risks: neglabājiet piederumus uz gatavošanas virsmām.

⚠ **UZMANĪBU!** Gatavošanas process ir jāuzrauga. Neilgs gatavošanas process ir nepārtraukti jāuzrauga.

⚠ **BRĪDINĀJUMS!** Gatavošana uz plīts virsmas bez uzraudzības, izmantojot taukvielas vai eļļu, var būt bīstama – pastāv aizdegšanās risks. **NEKĀDĀ GADĪJUMĀ** nedzēsiet uguni ar ūdeni, bet izslēdziet ierīci un aplājiat liesmu, piemēram, ar vāku vai ugunsdzēsības segu.

⚠ Neizmantojiet plīti kā darbvirsmu vai atbalstu. Neļaujiet ierīcei saskarties ar audumu vai citiem viegli uzliesmojošiem materiāliem, kamēr visas detaļas nav pilnīgi atdzisušas – pastāv aizdegšanās risks.

⚠ Ļoti maziem bērniem (0–3 gadi) jāatrodas drošā attālumā no ierīces. Maziem bērniem (3–8 gadi) jāatrodas drošā attālumā no ierīces, ja vien tie netiek nepārtraukti uzraudzīti. Bērni no 8 gadu vecuma un personas ar fiziskiem, jušanas vai garīgiem traucējumiem vai bez pieredzes un zināšanām var lietot šo ierīci, ja tās tiek uzraudzītas vai instruētas par ierīces drošu lietošanu un izprot ar to saistītos riskus. Bērni nedrīkst spēlēties ar ierīci. Ierīces tīrīšanu un apkopi nedrīkst veikt bērni bez pieaugušo uzraudzības.

⚠ **UZMANĪBU!** Ja saplīst plīts sildvirsmas stikls: nekavējoties izslēdziet visus degļus un visus elektriskos

NOTEIKTI JĀIZLASA UN JĀIEVĒRO

sildelementus, kā arī izolējiet ierīci no barošanas avota; neskarieties pie ierīces virsmas; neizmantojiet ierīci.

Stikla vāks var saplīst, ja tas ir sakarsis. Pirms vāka aizvēršanas izslēdziet visus degļus un elektriskās sildvirsmas. Neaizveriet vāku, kad ir iedegts deglis.

⚠ **BRĪDINĀJUMS!** Lietošanas laikā ierīce un tās atklātās daļas uzkarst. Nepieskarieties sildelementiem. Bērniem līdz 8 gadu vecumam ir jāatrodas drošā attālumā no ierīces, ja vien tie netiek nepārtraukti uzraudzīti.

ATĻAUTĀ LIETOŠANA

⚠ **UZMANĪBU!** Ierīci nav paredzēts darbināt ar ārēju slēdža ierīci, piemēram, taimeri vai atsevišķu tālvadības sistēmu.

⚠ Šo ierīci ir paredzēts izmantot sadzīvē un tamlīdzīgi, piemēram: personāla virtuves zonās veikalos, birojos un citās darba vidēs; zemnieku saimniecībās; klientu istabās viesnīcās, motelos, pansijās un citās naktsmītnēs.

⚠ Neizmantojiet to citiem nolūkiem (piemēram, telpu apsildei).

⚠ Šī ierīce nav paredzēta profesionālai lietošanai. Neizmantojiet ierīci ārpus telpām.

⚠ Izmantojiet katlus un pannas, kuru pamatnes platums ir tāds pats kā degļiem vai nedaudz lielāks (skatiet attiecīgo tabulu). Raugieties, lai uz restēm novietotie katli neizvirzītos pāri plīts malai.

⚠ Nepareiza režģu izmantošana var izraisīt plīts bojājumus: nenovietojiet režģus otrādi un nebīdīet tos pāri plītij.

Neļaujiet degļa liesmai pārsniegt pannas malu.

Ja plīts virsma ir no stikla materiāla, neizmantojiet čuguna pannas, akmens pamatnes, terakotas katlus un pannas.

Neizmantojiet: siltuma izkļaidētājus, piemēram, metāliskus sietus un citu veidu izstrādājumus; vienlaicīgi divus degļus vienam traukam (piemēram, zivju katlam).

Ja konkrēti piegādātās gāzes vietējie aspekti apgrūtina degļa aizdegšanu, ieteicams atkārtot darbību, pagriežot slēdzi uz iestatījumu ar mazu liesmu.

Ja tvaika nosūcējs ir uzstādīts virs gatavošanas virsmas, lūdzu, skatiet informāciju par piemērotu attālumu tvaika nosūcēja instrukcijās.

Režģu gumijas aizsargelementi rada aizrīšanās risku maziem bērniem. Pēc režģu noņemšanas, lūdzu, pārlicinieties, vai visi aizsargelementi ir pareizi uzstādīti.

MONTĀŽA

⚠ Ierīces pārvietošana un uzstādīšana jāveic vismaz diviem cilvēkiem – pastāv savainojumu risks. Izmantojiet aizsargcimdus visos izsaiņošanas un uzstādīšanas darbos – pastāv sagriešanās risks.

⚠ Elektrības un gāzes savienojumiem ir jāatbilst vietējiem normatīviem.

⚠ Montāžu, tajā skaitā ūdens sistēmas (ja tāda ir) un elektrosavienojumu uzstādīšanu, un remontu drīkst veikt tikai kvalificēts tehniķis. Nelabojiet un nemainiet ierīces detaļas, ja vien tas nav tieši norādīts lietotāja rokasgrāmatā. Neļaujiet bērniem būt tuvumā ierīces montāžas vietā. Pēc ierīces izsaiņošanas pārlicinieties, vai pārvadāšanas laikā tā nav bojāta. Problēmu gadījumā sazinieties ar izplatītāju vai tuvāko pēcpārdošanas apkopes centru. Pēc ierīces montāžas novietojiet iepakojuma materiālus (plastmasas un polistirola daļas) bērniem nepieejamā vietā - pastāv nosmakšanas risks. Pirms ierīces uzstādīšanas tai jābūt

atvienotai no elektrotīkla - pastāv strāvas trieciena risks. Uzstādīšanas laikā sekojiet, lai ierīce nesabojātu barošanas kabeli - pastāv aizdegšanās un strāvas trieciena risks. Ieslēdziet ierīci tikai tad, kad montāža ir pabeigta.

⚠ **BRĪDINĀJUMS!** Ierīces modificēšana un montāžas metode ir ārkārtīgi būtiska, lai droši un pareizi izmantotu šo ierīci visās papildus valstīs.

⚠ Izmantojiet instrukcijā norādītajam gāzes spiedienam piemērotus spiediena regulatorus.

⚠ Telpai jābūt aprīkotas ar gaisa velces sistēmu, kas izvada visus degšanas dūmus.

⚠ Telpā jābūt atbilstoši gaisa cirkulācijai, jo degšanai ir nepieciešams skābeklis. Gaisa plūsmai jābūt ne mazākai par 2 m³/h uz katru uzstādītās jaudas kW.

⚠ Gaisa cirkulācijas sistēma var ņemt gaisu tieši no ārpuses ar cauruli, kuras iekšējais šķērsgriezums ir vismaz 100 cm²; atvērumsam jābūt nodrošinātam pret jebkāda veida nosprostojumiem.

⚠ Sistēma var netieši nodrošināt degšanai vajadzīgo gaisu, proti, no blakus esošajām telpām, kas aprīkotas ar iepriekš minētajām gaisa cirkulācijas caurulēm. Taču šī telpas nedrīkst būt koplietošanas telpas, guļamistabas vai telpas, kuras rada ugunsgrēka briesmas.

⚠ Sašķidrinātā naftas gāze nogulstas uz grīdas, jo tā ir smagāka par gaisu. Tāpēc telpas, kurās ir sašķidrinātās naftas gāzes baloni, arī jāaprīko ar ventilācijas atverēm, lai ļautu gāzei izplūst, rodoties noplūdei. Tāpēc sašķidrinātās gāzes balonus, gan pustukšus, gan pilnus, neatkarīgi no tā, vai tie atrodas telpās vai uzglabāšanas zonās, kas atrodas zem grīdas līmeņa (pagrabos u.c.). Telpā ieteicams turēt tikai to balonu, kurš pašlaik tiek izmantots, tam jābūt novietotam tā, lai tas nebūtu pakļauts karstuma iedarbībai, ko rada ārēji avoti (krāsnis, kamīni, plītis u.c.), kas varētu paaugstināt balona temperatūru virs 50 °C.

Ja degļu pogu pagriešana ir apgrūtināta, lūdzu, sazinieties ar pēcpalīdzības dienestu par degļa krāna nomainīšanu, ja konstatēts, ka tas ir bojāts.

Nekādā gadījumā nedrīkst neseģt atvērumus, kurus izmanto ventilācijai un karstuma izkliedēšanai.

⚠ Uzmanīgi veiciet skapja zāģēšanas darbus pirms ierīces uzstādīšanas vietā un rūpīgi noslaukiet visas koka skaidas un zāģskaidas.

⚠ Ja ierīci neuzstāda virs krāsns, atdalošais panelis (nav iekļauts komplektācijā) jāuzstāda nodalījumā zem ierīces.

GĀZES PIESLĒGUMS

⚠ **BRĪDINĀJUMS:** Pirms uzstādīšanas pārliecinieties, ka vietējie gāzes piegādes apstākļi (gāzes veids un gāzes spiediens) un ierīces regulējums ir saderīgi.

⚠ Pārbaudiet, vai gāzes padeves spiediens ir saderīgs ar vērtībām, kas norādītas tabulā "Degļa un sprauslas specifiskācija".

⚠ **BRĪDINĀJUMS:** Šīs ierīces regulēšanas nosacījumi norādīti uz etiķetes (vai datu plāksnītes).

⚠ **BRĪDINĀJUMS:** Šī ierīce nav savienota ar degšanas produktu nosūkšanas ierīci. Tā ir jāuzstāda un jāpievieno atbilstoši spēkā esošajiem uzstādīšanas noteikumiem. Īpaša uzmanība jāpievērš saistītajām prasībām par ventilāciju.

⚠ Ja ierīcēm pievienota sašķidrinātā gāze, regulēšanas skrūve jāieskrūvē pēc iespējas ciešāk.

⚠ **SVARĪGI!** Ja tiek izmantots gāzes balons, balons vai gāzes tvertne pareizi jāuzstāda (vertikāli).

⚠ **BRĪDINĀJUMS!** Šī darbība jāveic kvalificētam tehniskajam speciālistam.

⚠ Gāzes savienojumam izmantojiet tikai elastīgu vai neelastīgu metāla šļūteni.

⚠ Savienojums ar nelokāmu cauruli (vara vai tērauda) Savienojums ar gāzes sistēmu jāizveido tā, lai uz ierīci netiktu izdarīta nekāda slodze. Uz ierīces padeves paliktņa ir pielāgojams L veida caurules savienotājelements, un tas ir aprīkots ar blīvi, lai novērstu noplūdes. Blīvējums vienmēr jānomaina pēc cauruļu savienotājelementa pagriešanas (blīvējums iekļauts ierīces komplektācijā). Gāzes padeves savienotājelements ir 1/2 gāzes stiprinājums ar ārēju vītņi.

⚠ Elastīgas tērauda caurules bez savienotājelementiem pievienošana vītņveida stiprinājumam Gāzes padeves savienotājelements ir 1/2 gāzes stiprinājums ar ārēju vītņi. Šīs caurules jāuzstāda tā, lai tās, pilnīgi nostieptas, nebūtu garākas par 2000 mm. Kad savienojums ir izveidots, pārliecinieties, ka elastīgā metāla caurule nepieskaras nekādām kustīgajām daļām un netiek saspiesta. Izmantojiet tikai valsts noteikumiem atbilstošas caurules un blīvējumu.

⚠ **SVARĪGI!** Izmantojot nerūsējošā tērauda šļūteni, tā jāuzstāda tā, lai neaizskartu nevienu mēbeļu kustīgā daļa (piemēram, atvilktni). Tā jāizvieto zonā, kurā nav šķēršļu un kurā to var pārbaudīt visā garumā.

⚠ Ierīce jāpievieno gāzes padevei vai gāzes balonam atbilstoši aktuālajiem valsts noteikumiem. Pirms veikt savienojumu, pārliecinieties, ka ierīce ir saderīga ar to gāzes padeves veidu, ko vēlaties izmantot. Ja tā nav, rīkojieties atbilstoši instrukcijai, kas norādīta sadaļā "Pielāgošana dažādiem gāzes veidiem".

⚠ Pēc pievienošanas gāzes padevei ar ziepjūdeni pārbaudiet, vai nav noplūžu. Ieddziet degļus un pagrieziet slēdžus no maksimālās pozīcijas 1* līdz minimālajai 2*, lai pārbaudītu liesmas stabilitāti.

PIELĀGOŠANA DAŽĀDIEM GĀZES VEIDIEM

(Šī darbība jāveic kvalificētam tehniskajam speciālistam).

⚠ Lai pielāgotu ierīci gāzes veidam, kas atšķiras no veida, kuram tā tika ražota (norādīts nominālo parametru plāksnītē), veiciet attiecīgās darbības, kas norādītas pēc uzstādīšanas ilustrācijām.

ELEKTRISKIE BRĪDINĀJUMI

⚠ **SVARĪGI!** Informācija par strāvas un sprieguma patēriņu ir sniegta nominālo parametru plāksnītē.

⚠ Elektrības kabelim jābūt pietiekami garam, lai jau iebūvētu ierīci varētu ērti pievienot elektrotīklam. Nevelciet aiz ierīces elektroapgādes kabeļa.

⚠ Jānodrošina iespēja atvienot ierīci no strāvas padeves, to vienkārši atslēdzot, ja pieejama kontaktdakša, vai ar divpolu slēdzi, kas uzstādīts pirms kontaktligzdas pēc elektroinstalācijas noteikumiem, un ierīcei jābūt zemētai atbilstoši valsts elektrības drošības standartiem.

⚠ Neizmantojiet pagarinātājus, vairāku spraudņu kontaktligzdas un adapterus. Pēc ierīces uzstādīšanas tās elektriskie komponenti nedrīkst būt pieejami. Neizmantojiet ierīci ar mitrām rokām vai basām kājām. Nelietojiet šo ierīci,

ja bojāts tās strāvas kabelis vai kontaktdakša, ja tā nedarbojas pareizi, ir bojāta vai tikusi nomesta.

⚠ Ja padeves kabelis ir bojāts, tas jāaizvieto ar identisku, nomaiņa jāveic ražotājam, tā servisa aģentam vai līdzīgas kvalifikācijas personai, lai izvairītos no bīstamības – strāvas trieciena riska.


TĪRĪŠANA UN APKOPE

⚠ **BRĪDINĀJUMS!** Pirms apkopes darbību veikšanas pārliecinieties, vai ierīce ir izslēgta un atvienota no strāvas padeves; nekādā gadījumā nelietojiet tvaika tīrīšanas aprīkojumu – pastāv strāvas trieciena risks.

⚠ Nelietojiet abrazīvus vai kodīgus izstrādājumus, tīrīšanas līdzekļus uz hlora bāzes vai pannu tīrīšanas piederumus.

⚠ Lai nesabojātu elektriskās aizdedzes ierīci, neizmantojiet to, ja degļi neatrodas tiem paredzētajās vietās.

IEPAKOJUMA MATERIĀLU UTILIZĀCIJA


Iepakojuma materiāls ir 100 % pārstrādājams un tiek apzīmēts ar otrreizējās pārstrādes simbolu .

Tādēļ dažādas iepakojuma daļas jāutilizē atbildīgi un saskaņā ar vietējiem atkritumu apsaimniekošanas noteikumiem.

MĀJSAIMNIECĪBAS IERĪČU UTILIZĀCIJA

Šī ierīce ir izgatavota no pārstrādājamiem un atkārtoti izmantojamiem materiāliem. Utilizējiet to saskaņā ar vietējiem atkritumu apsaimniekošanas noteikumiem. Plašāku informāciju par lietotu mājsaimniecības ierīču apstrādi, atjaunošanu un pārstrādi varat iegūt vietējās varas iestādes, pie atkritumu savākšanas pakalpojumu sniedzējiem vai veikalā, kur ierīci iegādājāties. Šī ierīce ir marķēta saskaņā ar Eiropas Savienības Direktīvu 2012/19/ES par elektrisko un elektronisko iekārtu atkritumiem (EEIA) un saskaņā ar 2013. gada Regulu par elektrisko un elektronisko iekārtu atkritumiem (un tās grozījumiem).

Nodrošinot šīs ierīces pareizu utilizāciju, varat novērst iespējamo negatīvo vides un cilvēka veselības apdraudējumu.

 simbols uz izstrādājuma vai komplektācijā iekļautajiem dokumentiem norāda, ka šo ierīci nevar izmest sadzīves atkritumos, bet tā ir jānodod pārstrādei elektrisko un elektronisko ierīču savākšanas centrā.

IETEIKUMI ENERĢIJAS TAUPIŠANAI

Izmantot katlus un pannas, kuru pamatnes platums ir vienāds ar gatavošanas zonu.

Izmantot tikai katlus un pannas ar plakanām pamatnēm.

Ja iespējams, gatavošanas laikā izmantot katlu vākus.

Izmantojiet ātrvārāmo katlu, lai ietaupītu vēl vairāk enerģijas un laika.

PAZIŅOJUMS PAR ATBILSTĪBAS DEKLARĀCIJU

Šī ierīce atbilst Eiropas Regulas 66/2014 ekodizaina prasībām un 2019. gada noteikumiem saistībā ar ekodizaina prasībām ar enerģiju saistītiem ražojumiem un enerģijas informāciju (grozījums) (ES izvešana) saskaņā ar Eiropas standartu EN 30-2-1.

Izmantotās gāzes veids	Degļa veids	Inžektora marķējums	Siltuma plūsmas nominālais ātrums kW	Aprēķinātais patēriņš	Samazinātas kapacitātes siltums kW	Gāzes spiediens mbar		
						min.	rat.	max.
DABASGĀZE (Metans) G20	Vidējas intensitātes (SR)	97 A	1,65	157 l/h	0,40	17	20	25
	Papildu (AUX)	78 A	1,00	95 l/h	0,40			
	2 Riņķu (DC)	140 H1	3,50	333 l/h	2,20			
SAŠĶIDRINĀTĀ NAFTAS GĀZE (Butāns) G30	Vidējas intensitātes (SR)	66 A	1,65	120 g/h	0,40	20	30	35
	Papildu (AUX)	50	1,00	73 g/h	0,40			
	2 Riņķu (DC)	91	3,30	240 g/h	2,20			
SAŠĶIDRINĀTĀ NAFTAS GĀZE (Propāns) G31	Vidējas intensitātes (SR)	66 A	1,65	118 g/h	0,40	20	30	35
	Papildu (AUX)	50	1,00	71 g/h	0,40			
	2 Riņķu (DC)	91	3,30	236 g/h	2,20			

Izmantotās gāzes veids	Modeļa konfigurācija 4 DEĢĻA	Siltuma plūsmas nominālais ātrums (kW)	Kopējais nominālais patēriņš	Nepieciešamais gaiss (m ³) gāzes degšanai 1m ³
G20 20 mbar	2SR - 1AUX - 1DC	7,80	743 l/h	9,52
G30 30 mbar	2SR - 1AUX - 1DC	7,60	553 g/h	30,94
G31 30 mbar	2SR - 1AUX - 1DC	7,60	543 g/h	23,80

ELEKTROAPGĀDE: 220-240 V ~ 50-60 Hz - 1,1 W

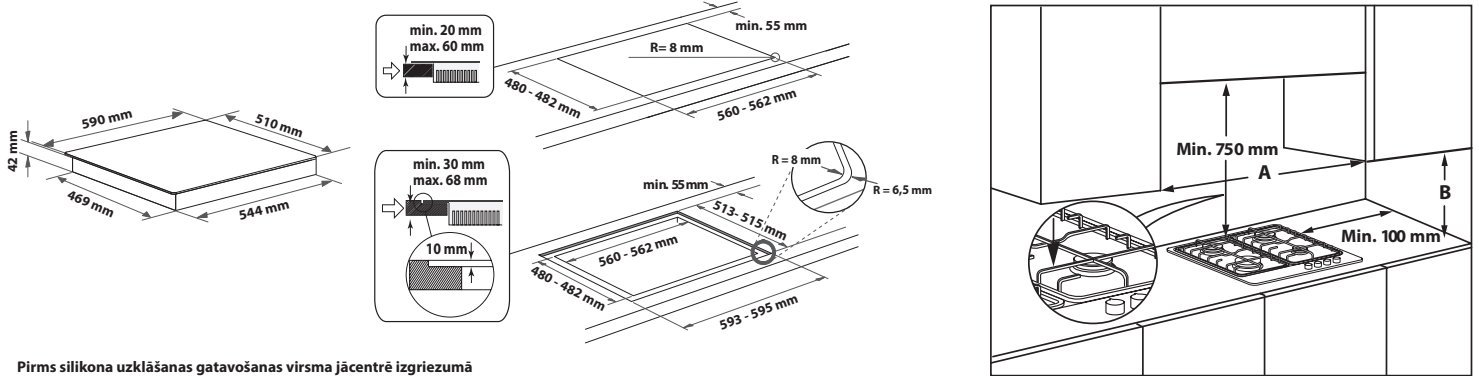


UZSTĀDĪŠANA (3 KLASE)

TEHNISKA INFORMĀCIJA PLĪTS VIRSMAS UZSTĀDĪTĀJAM

- Apkopjot, sagatavojot un uzstādot izstrādājumu, lietojiet aizsargcimdus.
- Šo ierīci var iebūvēt virtuves darbvirsnā, kas ir 20–60 mm bieza, ar standarta instalāciju. Flush uzstādīšanai $30 \div 68$ mm.
- Ja zem šīs plīts virsmas nav cepeškrāsns, ievietojiet starppaneli, kura virsma ir vismaz tikpat liela, kā darbvirsmas atvērums. Šis panelis jānovieto ne zemāk par 150 mm no augšējās darbvirsmas, taču ne tuvāk par 20 mm no šīs plīts virsmas apakšējās virsmas. Ja zem plīts virsmas ir plānots uzstādīt cepeškrānsi, tai ir jābūt aprīkotai ar dzesēšanas sistēmu.

IZMĒRI UN ATTĀLUMI, KAS JĀIEVĒRO



Pirms silikona uzklāšanas gatavošanas virsma jācentrē izgriezumā

PIEZĪME: Ja atstātums „A” starp sienas nodalījumiem ir 600 mm un 730 mm, minimālajam augstumam „B” ir jābūt vismaz 530 mm. Ja atstātums „A” starp sienas nodalījumiem pārsniedz plīts virsmas platumu, minimālajam augstumam „B” ir jābūt vismaz 400 mm. Ja virs plīts virsmas tiek uzstādīts pārsegs, lūdzu, skatiet pareizo atstatumu pārsega instrukcijās.

MONTĀŽA

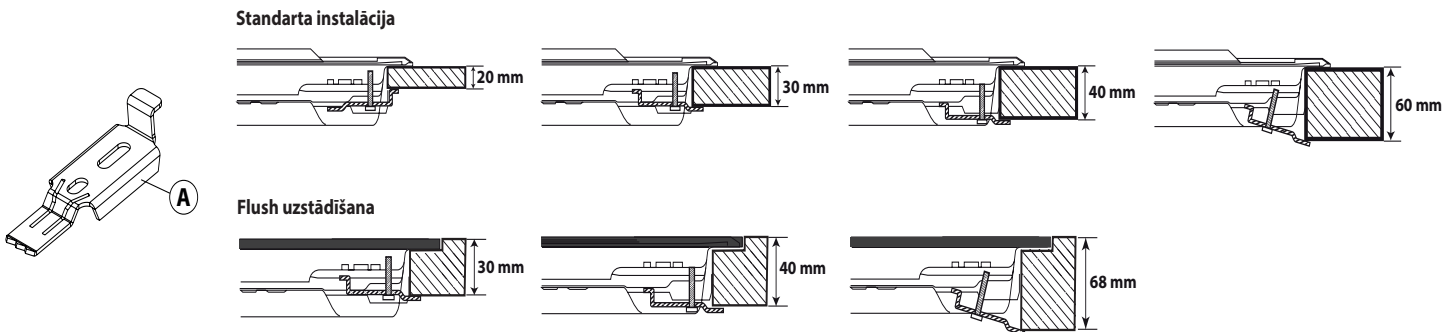
Vispirms notīriet ierīces virsmu un tad pievienojiet tai komplektā iekļauto starpliku, kā parādīts attēlā.

Ievietojiet ierīci darbvirsmas atvērumā, kas izveidota, ņemot vērā norādījumos minētos izmērus.

PIEZĪME. Strāvas kabelim jābūt pietiekami garam, lai to varētu izvilk uz augšu.



Plīts virsmas nostiprināšanai izmantojiet komplektācijā iekļautos kronšteinus (A). Ievietojiet kronšteinus attiecīgajās atverēs, kas parādītas ar bultiņu, un nostipriniet tos, izmantojot darbvirsmas biežumam atbilstošas skrūves (skatiet turpmākos skaitļus).

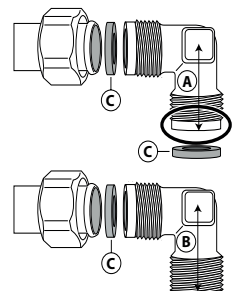


GĀZES PIESLĒGUMS

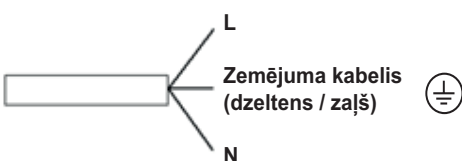
- Pievienojiet plīts virsmas komplektācijā iekļauto likuma elementu (A)* vai (B)* plīts virsmas attiecīgajai ieejai, izmantojot starpliku (C)— atbilstoši standartam EN 549.

* Izmantojiet likuma elementu (A), ja ierīce jāuzstāda Francijā, un (B)— citās valstīs.

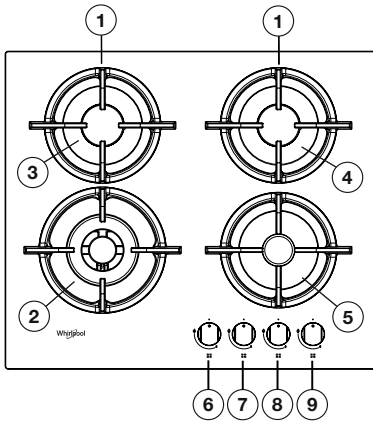
- Kad gāzes pieslēgums paveikts, pārbaudiet, vai tajā nav noplūdes, izmantojot ziepjūdeni. Iedegiet degļus un pagrieziet slēdžus no maksimālās pozīcijas līdz minimālai, lai pārbaudītu liesmas stabilitāti.



ELEKTRĪBAS PIESLĒGUMS



IZSTRĀDĀJUMA APRAKSTS



1. Noņemami pannu novietošanas režģi
2. 2 Riņķu deglis
3. Vidējas intensitātes deglis
4. Vidējas intensitātes deglis
5. Papildu deglis
6. 2 Riņķu degļa vadības poga
7. Vidējas intensitātes degļa vadības poga
8. Vidējas intensitātes degļa vadības poga
9. Papildu degļa vadības poga

Simboli

- | | | |
|------------------|---|--|
| Melns aplis | ● | Aizvērts krāns |
| Maksimālā liesma | 🔥 | Maksimālais atvērums/padeve un Elektriskā aizdedze |
| Minimālā liesma | 🔥 | Minimāls atvērums vai samazināta pideve |



IKDIENAS IZMANTOŠANA

KĀ IZMANTOT PLĪTS VIRSMU

⚠️ Neļaujiet degļa liesmai izplatīties aiz pannas malām.

SVARĪGI! lietojot plīts virsmu, tā visa var sakarst.

- Lai iedegtu degli, pagrieziet atbilstošo regulatoru pretēji pulksteņrādītāju kustības virzienam līdz maksimālās liesmas stāvoklim.
- Piespiediet regulatoru pret vadības paneli, lai aizdegta liesma.
- Pēc degļa aizdegšanas turiet regulatoru nospiestu vēl apmēram 5–10 sekundes, lai nodrošinātu pareizu ierīces darbību.
- Ja liesma nejauši tiek nodzēsta (pēkšņa caurvēja, gāzes piegādes pārtraukuma, vārāmajam šķidrums pārilstot trauka malām un tamlīdzīgos gadījumos), degļa drošības ietaise noslēdz gāzes piegādi deglim.
- **Regulatoru nedrīkst turēt piespiestu ilgāk par 15 sekundēm. Ja arī pēc tam degli neizdodas aizdegt, uzgaidiet vismaz vienu minūti, un tikai tad atkārtoti mēģiniet to iedegt.**

PIEZĪME. Ja gāzes piegādes apstākļi dēļ ir grūti aizdegt degli, ieteicams atkārtot darbību, pagriežot regulatoru līdz mazas liesmas iestatījumam.

Atlaižot regulatoru, liesma var nodzist. Tas nozīmē, ka drošības ierīce nav pietiekami uzsilusi. Šādā gadījumā atkārtojiet iepriekš minētās darbības. Ja liesma nejauši izdziest, nogrieziet vadības slēdzi un pagaidiet vismaz vienu minūti, pirms mēģināt to iedegt atkal.

PRAKTISKI PADOMI DEGLŪ LIETOŠANĀ

Šai plīts virsmai ir dažāda diametra degļi. Lai panāktu labāku degļu veiktspēju, lūdzu, ievērojot šādus noteikumus:

- Izmantojiet katlus un pannas, kuru apakšējo daļu izmēri ir tādi paši kā degļiem vai nedaudz lielāki (skatiet tabulu pa labi).
- Izmantojiet tikai katlus un pannas ar plakaniem dibieniem.
- Lietojiet tieši tik daudz ūdens, cik nepieciešams ēdiena pagatavošanai, un uzlieciet katlam vāku.
- Pārliedcinieties, vai uz režģiem novietotie katli neizvirzās pāri plīts virsmas malai.
- Ja izmantojat pannas ar izliektiem dibieniem (VOK panna), lietojiet komplektācijā iekļautās atbalsta restes, kuras jānovieto tikai uz 4. degļa.
- Uzmanieties, lai pret plīts virsmu nejauši neatsistu pannas, statīvus vai citus virtuves piederumus.
- Neatstājiet tukšas steika restes virs aizdedzināta degļa ilgāk par piecām minūtēm.

SVARĪGI! Nepareiza režģu lietošana var izraisīt plīts virsmas bojājumus: nenovietojiet tos otrādi un nebīdīet pāri ierīces virsmai.

DEGLIS	Ø KATLA
2 Riņķu	No 24 līdz 26 cm
Vidējas intensitātes	No 16 līdz 22 cm
Papildu	No 8 līdz 14 cm

Neizmantojiet:

- čuguna trauku paliktņus, apdedzināta māla katlus un pannas;
- karstuma izkliedētājus, piemēram, metāla sietus u.c.;
- divus degļus vienlaikus, lai sildītu vienu trauku (piemēram, zivju pannu).

Uz karstās plīts zonas izšļakstītie šķidrums var sabojāt stiklu.

PIELĀGOŠANA DAŽĀDIEM GĀZES VEIDIEM

⚠️ Šo darbu drīkst veikt tikai kvalificēts tehniķis.

Ja plīts virsmai tiks izmantota gāze, kas atšķiras no tās, kuras parametri minēti tehnisko datu plāksnītē un ierīces augšpusē uzstādītajā informācijas uzlīmē, nomainiet sprauslas.

Noņemiet informācijas uzlīmi un saglabājiet to kopā ar norādījumu bukletu.

Izmantojiet spiediena regulatorus, kas piemēroti norādījumos minētajam gāzes spiedienam:

- Sprauslu nomaiņu drīkst veikt tikai klientu apkalpošanas centra darbinieki vai kvalificēts tehniķis.
- Sprauslas, kuras nav iekļautas ierīces komplektācijā, ir jāpasūta klientu apkalpošanas centrā.
- Noregulējiet krāniem minimālo iestatījumu.

PIEZĪME. Ja izmantojat šķidru naftas gāzi (G30/G31), minimālās plūsmas iestatījuma skrūvei ir jābūt pievilktai līdz galam.

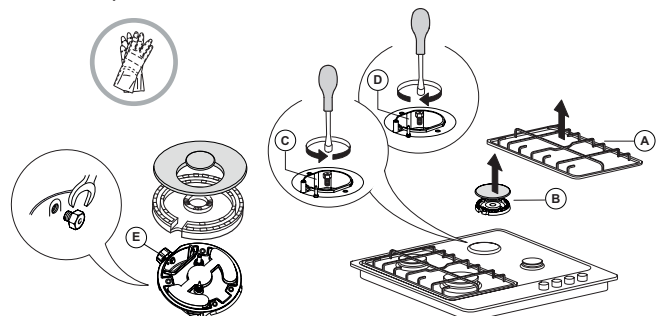
SVARĪGI! Ja degļu regulatoru pagriešana ir apgrūtināta, lūdzu, sazinieties ar klientu apkalpošanas centru un pieprasiet nomainīt krānu, ja tas ir bojāts.

SVARĪGI! ja tiek izmantots gāzes balons, balons vai gāzes tvertne pareizi jāuzstāda (vertikāli).

SPRAUSLU NOMAIŅA (skatiet Drošības norādījumos minēto sprauslu tabulu)

⚠️ Šo darbu drīkst veikt tikai kvalificēts tehniķis.


- Noņemiet režģus (A).
- Izņemiet degļus (B).
- Izmantojot piemērota lieluma galatslēgu, noskrūvējiet sprauslu (C).
- Nomainiet to pret jaunajam gāzes veidam piemērotu sprauslu.
- Uzstādiet atpakaļ sprauslu (D).
- Ja jums ir vairāku elementu deglis, izmantojiet uzgriežatslēgu, lai uzstādītu sprauslu (E).



Pirms plīts virsmas uzstādīšanas vēl ir jāpiestiprina plāksnīte ar gāzes kalibrācijas parametriem, kas nosedz līdzšinējo gāzes kalibrācijas informāciju.

KRĀNU MINIMĀLĀS PLŪSMAS IESTATĪŠANA



⚠ Šo darbu drīkst veikt tikai kvalificēts tehniķis.

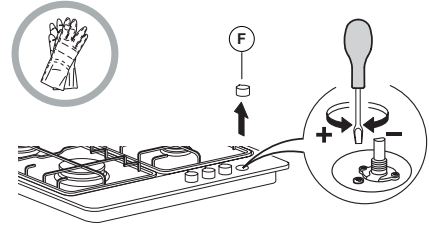
Šo regulēšanu veicot, krānam ir jābūt pagriezta minimālas gāzes plūsmas stāvoklī (maza liesma) .

Degļu primārais gaiss nav jāregulē.

Lai pareizi iestatītu minimālo plūsmu, noņemiet regulatoru (F) un rīkojieties šādi:

- pievelciet skrūvi, lai samazinātu liesmas augstumu (–);
- atlaidiet skrūvi, lai palielinātu liesmas augstumu (+).

Iedegiet degļus un pagrieziet regulatorus no maksimālās plūsmas stāvokļa  līdz minimālās liesmas stāvoklim , lai pārbaudītu liesmas stabilitāti.



Pēc regulēšanas veiciet atkārtotu blīvēšanu ar tam paredzētu vasku vai līdzvērtīgu materiālu.

APKOPE UN TĪRĪŠANA

⚠ Atvienojiet ierīci no elektrotīkla.

PLĪTS VIRSMAS TĪRĪŠANA

- Stikla un emaljētās daļas jātīra ar siltu ūdeni un neitrālu mazgāšanas līdzekli.
- Uz nerūsējoša tērauda virsmām var pakāpeniski parādīties traipi, ko veido kaļķains ūdens un kodīgi tīrīšanas līdzekļi. Noslaukiet izlijušo ūdeni, mērces, kafiju un citus produktus, pirms tie sakalst.
- Nomazgājiet virsmas ar siltu ūdeni un neitrālu mazgāšanas līdzekli un tas nosusiniet tās ar mīkstu drānu vai zamšādu. Notīriet piekaltušus netīrumus ar tīrīšanas līdzekļiem, kas paredzēti nerūsējoša tērauda virsmu tīrīšanai.

PIEZĪME. Nerūsējošā tērauda virsmas tīriet tikai ar mīkstu drānu vai sūkli.

- Neizmantojiet abrazīvus un koroziju izraisošus līdzekļus, tādus, kas satur hloru, vai pannu skrāpjus.
- Neizmantojiet tvaika tīrīšanas ierīces.
- Neizmantojiet viegli uzliesmojošus līdzekļus.
- Uz plīts virsmas nedrīkst palikt skābas vai sārmainas vielas, piemēram, etiķis, sinepes, sāls, cukurs vai citronu sula.

PLĪTS VIRSMAS SASTĀVDAĻU TĪRĪŠANA

- Tīriet stiklu un emaljētās daļas tikai ar mīkstu drānu vai sūkli.
- Režģus, degļu vāciņus un degļus tīrīšanas nolūkos var noņemt.
- Notīriet tos manuāli, izmantojot siltu ūdeni un neabrazīvu tīrīšanas līdzekli, noņemot visus pārtikas pārpalikumus un pārbaudot, vai neviena degļa atvere nav nosprostota.
- Noskalojiet un nosusiniet.
- **Čuguna režģus drīkst mazgāt trauku mazgājamajā mašīnā.**
Pirms režģu ievietošanas trauku mazgājamās mašīnas zemākajā statīvā notīriet piedegušās ēdiena paliekas.
- Degļus un to vāciņus uzstādiet atpakaļ pareizi attiecīgajos korpusos.
- Uzliekot atpakaļ režģus, pārlicinieties, vai pannu novietošanas zona ir salāgota ar degli.
- Modeļiem ar elektriskās aizdedzes spraudņiem un drošības ierīci nepieciešama pamatīga spraudņa gala tīrīšana, lai nodrošinātu pareizu darbību.
- Bieži pārbaudiet šos elementus un pēc nepieciešamības notīriet ar mitru drānu. Piedegusi pārtika jānoņem ar zobu bakstāmā vai adatas palīdzību.

PIEZĪME. Lai nesabojātu elektriskās aizdedzes ierīci, neizmantojiet to, ja degļi neatrodas tiem paredzētajās vietās.

PROBLĒMU RISINĀŠANA

Ja plīts virsma nedarbojas pareizi, pirms sazināties ar klientu apkalpošanas centru, skatiet problēmu novēršanas pamācību

1. Nevar aizdegt degļi vai nevienmērīga liesma

Pārbaudiet, vai:

- nav atslēgta gāzes un elektrības piegāde un, vai ir atgriezts gāzes krāns;
- nav tukšs sašķidrinātās gāzes balons;
- nav aizsērējušas degļu atveres;
- nav netīrs spraudņa gals;
- visas degļa detaļas ir pareizi uzstādītas;
- plīts virsmas tuvumā nav caurvēja

2. Degļa liesma nodziest

Pārbaudiet, vai:

- iediedzot degli, regulators tika nospiešs pietiekami ilgi, lai aktivizētos aizsardzības ierīce;
- nav aizsērējušas termoelementa tuvumā esošās degļa atveres;
- nav netīrs drošības ierīces gals;
- ir pareizi iestatīta minimālā gāzes plūsma (skatiet attiecīgo sadaļu).

3. Novietotie trauki ir nestabili

Pārbaudiet, vai:

- trauka apakšpuse ir pilnīgi plakana;
- trauks atrodas degļa centrā;
- režģi nav samainīti vietām un vai tie novietoti pareizi.

Ja pēc iepriekš minētajām pārbaudēm kļūme netiek novērsta, sazinieties ar tuvāko klientu apkalpošanas centru.

PĒCPĀRDOŠANAS SERVISS

Lai saņemtu pilnvērtīgu palīdzību, lūdzu, reģistrējiet savu ierīci vietnē www.whirlpool.eu/register.

PIRMS SAZINĀTIES AR PĒC-PĀRDOŠANAS APKALPOŠANAS DIENESTU:

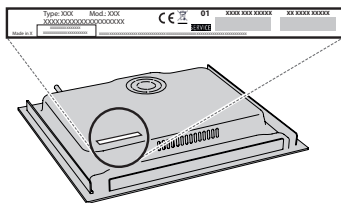
1. Mēģiniet atrisināt problēmu saviem spēkiem, izmantojot šeit atrodamo **PROBLĒMU RISINĀŠANA**.
2. Izslēdziet ierīci un ieslēdziet to vēlreiz, lai pārlicinātos, vai problēma ir novērsta.

JA PĒC IEPRIEKŠMINĒTAJĀM PĀRBAUDĒM PROBLĒMA NAV NOVĒRSTA, SAZINIETIES AR TUVĀKO PĒC-PĀRDOŠANAS APKALPOŠANAS DIENESTU.

Lai saņemtu palīdzību, zvaniet uz garantijas grāmatiņā norādīto numuru vai sekojiet norādījumiem tīmekļa vietnē www.whirlpool.eu.

Sazinoties ar klientu pēc-pārdošanas apkalpošanas dienestu, vienmēr norādiet:

- īsu kļūmes aprakstu;
- precīzu ierīces veidu un modeli;



- sērijas numurs (skaitlis pēc vārda SN uz tehnisko datu plāksnes zem ierīces). Sērijas numurs ir norādīts arī dokumentācijā;



Mod. XXX XXX

Ind.C. XXXX XXXX XXXX

Prod.N. 86999XXXXXXXX S.N. XXXX XXXX XXXX

- savu pilno adresi;
- savu tālruņa numuru.

Ja nepieciešams remonts, lūdzu, sazinieties ar pilnvarotu Pēc-pārdošanas apkopes centru (lai būtu garantija, ka tiek izmantotas tikai oriģinālās rezerves daļas un remonts tiktu veikts pareizi).

Whirlpool Management EMEA S.r.l.
via Carlo Pisacane n.1,
20016 Pero (MI), ITALY



400011670711

Whirlpool