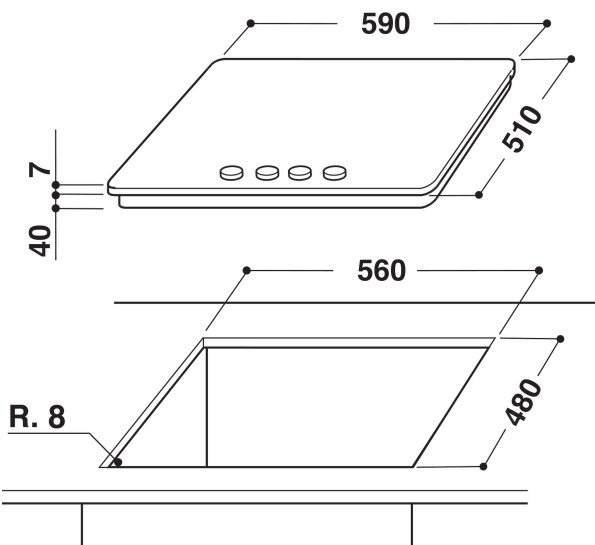


# KHMD4 60510

12NC: 851349538000

GTIN (EAN) code: 8003437831898

**KitchenAid**



## MAIN FEATURES

|                                       |               |
|---------------------------------------|---------------|
| Product group                         | Hob           |
| Construction type                     | Built-in      |
| Type of control                       | Mechanical    |
| Type of control settings              | -             |
| Number of gas burners                 | 4             |
| Number of electric cooking zones      | 0             |
| Number of electric plates             | 0             |
| Number of radiant plates              | 0             |
| Number of halogen plates              | 0             |
| Number of induction plates            | 0             |
| Number of electric warming zones      | 0             |
| Location of control panel             | Front         |
| Basic surface material                | Inoxclearcoat |
| Main colour of product                | Inox          |
| Electrical connection rating (W)      | 0             |
| Gas connection rating (W)             | 8300          |
| Current (A)                           | 0,2           |
| Voltage (V)                           | 230           |
| Frequency (Hz)                        | 50            |
| Length of Electrical Supply Cord (cm) | 85            |
| Plug type                             | No            |
| Gas connection                        | Conic         |
| Width of the product                  | 590           |
| Height of the product                 | 41            |
| Depth of the product                  | 510           |
| Minimum niche height                  | 38            |
| Minimum niche width                   | 560           |
| Niche depth                           | 480           |
| Net weight (kg)                       | 10.5          |
| Automatic programmes                  | No            |

## TECHNICAL FEATURES

|                         |           |
|-------------------------|-----------|
| Power on indicator      | No        |
| Number of indicators    | 0         |
| Type of regulation      | Semirapid |
| Type of lid             | Without   |
| Residual heat indicator | Without   |
| Main on/off switch      | No        |
| Safety device           | -         |
| Timer                   | No        |

## PERFORMANCES

|              |     |
|--------------|-----|
| Energy input | Gas |
|--------------|-----|