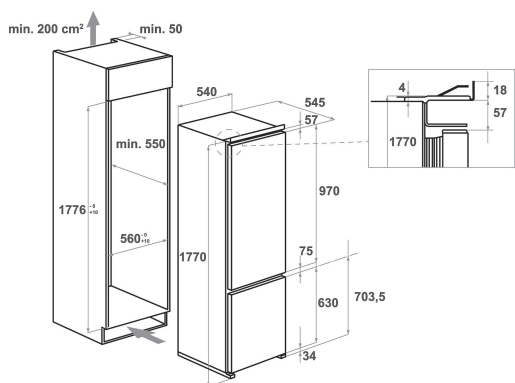


KCBDR 18602

12NC: 851302296010

GTIN (EAN) code: 8003437041020

KitchenAid



MAIN FEATURES

| Product group | Fridge/freezer combination |
|---------------------------------------|----------------------------|
| Installation type | Built-in |
| Type of control | Electronic |
| Construction type | built-in |
| Main colour of product | White |
| Electrical connection rating (W) | 140 |
| Current (A) | 16 |
| Voltage (V) | 220-240 |
| Frequency (Hz) | 50 |
| Number of compressors | 1 |
| Length of Electrical Supply Cord (cm) | 240 |
| Plug type | Schuko |
| Total unit net capacity (l) | 267 |
| Star Rating | 4 |
| Height of the product | 1770 |
| Width of the product | 540 |
| Depth of the product | 545 |
| Maximum adjustability feet | 0 |
| Net weight (kg) | 50.6 |

TECHNICAL FEATURES

| | |
|---|--------------------|
| Defrost process fridge section | Automatic |
| Defrost process freezer section | Manual |
| Fast cooling possibility | No |
| Fast freezing function | Yes |
| Door opened indicator freezer | No |
| Temperature adjustable | Yes |
| Temperature adjustable freezer | Yes |
| Interior ventilator fridge section | Yes |
| Number of freezing drawers | 3 |
| Automatic motor-driven ice-maker | N/A |
| Number of shelves in fridge compartment | 4 |
| Material of the shelves | Glass With Profile |
| Thermometer fridge section | None |
| Thermometer freezer section | None |
| Number of temperature zones | 2 |

PERFORMANCES

| | |
|--|------|
| Energy efficiency class - NEW (2010/30/EU) | A++ |
| Energy consumption annual (kWh/annum) - NEW (2010/30/EU) | 231 |
| Refrigerator Net capacity (l) - NEW (2010/30/EU) | 188 |
| Freezer Net capacity (l) - NEW (2010/30/EU) | 79 |
| Freezing capacity (kg/24h) - NEW (2010/30/EU) | 6 |
| Climate class | SN-T |
| Noise level (dB(A) re 1 pW) | 35 |
| Frost free system | No |