

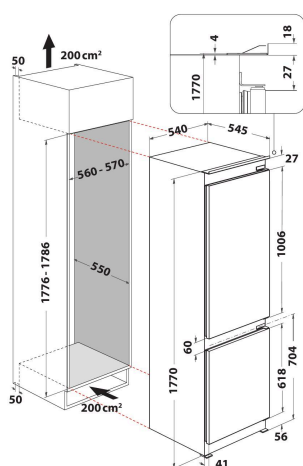
# ART 20163 NF 0

12NC: 859991621760

GTIN (EAN) code: 8003437047428

Whirlpool

SENSING THE DIFFERENCE



- Energy class A+
- 6TH Sense FreshControl
- Total net capacity: 264 l (201 l refrigerator + 63 l freezer)
- Product dimensions (HxWxD): 1770x540x545 mm
- Reversible door
- Noise level: 38 dB(A)
- No frost
- Climatic class SN-T
- Freezing capacity: 6 Kg/24 h
- Automatic defrost system in fridge compartment
- Temperature rise time 16 h
- Temperature adjustable
- Ventilation System
- LED lighting
- Cooling System for Fridge Compartment: No Frost
- Freezing System for Freezer Compartment: NoFrost
- 4 adjustable balconies

## Whirlpool built in fridge freezer: frost free - ART 20163 NF 0

This Whirlpool built in Fridge Freezer features: white color. No frost, frost free technology, that effectively prevents ice build-up in your Freezer, by reducing humidity levels. Glass shelves, providing both robustness and elegance. A fan that provides a smooth and even flow of air in your appliance's cavity, for enhanced ventilation. Unique 6th SENSE FreshControl technology, that automatically adjusts temperature and humidity levels inside your appliance, ensuring long-lasting freshness.

### Fresh Control

Fresher, for longer. The unique 6TH SENSE Fresh Control technology dynamically adjusts the humidity levels and temperature inside your freezer, to ensure long-lasting freshness (up to 4 times longer).

### Fresh Box

Creates ideal conditions to store fruit and vegetables. A drawer to store your fruits and vegetables.

### Electronic control system

Pitch-perfect performance. This Whirlpool Fridge Freezer features an Electronic control system that ensures correct parameter settings at all times, providing the ideal performance and temperature control.

### Space Management

All the space you need. This Whirlpool Fridge Freezer's innovative design provides all the space and flexibility you need to comfortably and easily store your food and drink.

### Ventilation

This Whirlpool Fridge Freezer features a fan that provides a smooth and even flow of air in your appliance's cavity, for enhanced ventilation.

### Energy class A+

Outstanding energy efficiency. With its A+ energy rating, this Whirlpool appliance will allow you to enjoy both ideal performance and excellent energy consumption.

### Glass shelves

A passion for beauty in every detail. This Whirlpool Refrigerator includes glass shelves designed to combine beauty and functionality, and providing you the most fulfilling user experience imaginable.

### LED lighting

Perfect illumination. Energy-efficient LEDs spread light evenly throughout the refrigerator cavity, making it easier to find what you're looking for.

# ART 20163 NF 0

12NC: 859991621760

GTIN (EAN) code: 8003437047428

**Whirlpool**

SENSING THE DIFFERENCE

## MAIN FEATURES

Product group	Fridge/freezer combination
Installation type	Built-in
Type of control	Electronic
Construction type	Built-in
Main colour of product	White
Electrical connection rating (W)	160
Current (A)	16
Voltage (V)	220-240
Frequency (Hz)	50
Number of compressors	1
Length of Electrical Supply Cord (cm)	200
Plug type	UK
Total unit net capacity (l)	264
Star Rating	4
Height of the product	177
Width of the product	54
Depth of the product	55
Maximum adjustability feet	0
Net weight (kg)	58

## TECHNICAL FEATURES

Defrost process fridge section	Automatic
Defrost process freezer section	Frost-free
Fast cooling possibility	No
Fast freezing function	No
Door opened indicator freezer	No
Temperature adjustable	Yes
Temperature adjustable freezer	Yes
Interior ventilator fridge section	Yes
Number of freezing drawers	3
Automatic motor-driven ice-maker	No
Number of shelves in fridge compartment	5
Material of the shelves	Glass
Thermometer fridge section	None
Thermometer freezer section	None
Number of temperature zones	1

## PERFORMANCES

Energy efficiency class - NEW (2010/30/EU)	A+
Energy consumption annual (kWh/annum) - NEW (2010/30/EU)	297
Refrigerator Net capacity (l) - NEW (2010/30/EU)	201
Freezer Net capacity (l) - NEW (2010/30/EU)	63
Freezing capacity (kg/24h) - NEW (2010/30/EU)	6
Climate class	SN-T
Noise level (dB(A) re 1 pW)	38
Frost free system	Freezer

