

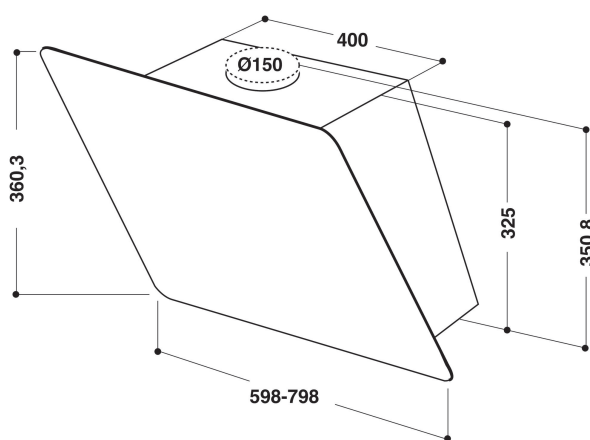
AKR 038 G BL

12NC: 857803801000

EAN code: 8003437219375



SENSING THE DIFFERENCE



MAIN FEATURES

Product group	Hood
Colour body	Black
Material body	Glass
Colour chimney	Black
Material chimney	Metal
Typology	Manual
Installation type	Free-standing
Type of control	Electronic
Type of control setting and signalling devices	-
Decor panel options	N/A
Motor location	Integrated motor in hood body
Operating Mode	Convertible
Connection rating (W)	272
Current (A)	1,2
Voltage (V)	220-240
Frequency (Hz)	50-60
Length of Electrical Supply Cord (cm)	150
Plug type	Schuko
Height of the chimney (mm)	370-700
Height of product, without chimney (mm)	325
Height of the product	360
Width of the product	598
Depth of the product	326
Minimum niche height	0
Minimum niche width	0
Niche depth	0
Net weight (kg)	12

TECHNICAL FEATURES

Type of manual control devices	Touch control
Type of automatic control devices	-
Number of motors	1
Total power of the motors (W)	270
Number of speed settings	3
Boost position	Yes
Maximum output air extraction (m3/h)	629
Boost position air extraction (m3/h)	713
Maximum output recirculating air (m3/h)	438
Boost position output recirculating (m3/h)	458
Light Control Type	On/off
Number of lights	2
Type of lamps used	LED
Total power of the lamps (W)	2
Diameter of air outlet (mm)	150
No-return airflow flap	No
Grease filter material	Washable aluminium
Odour filter	No

ENERGY LABEL

Sound power at min. speed (2010/30/EC)	60
Sound power at max. speed (2010/30/EC)	60
Noise level with boost position (dB(A) re 1 pW)	0