

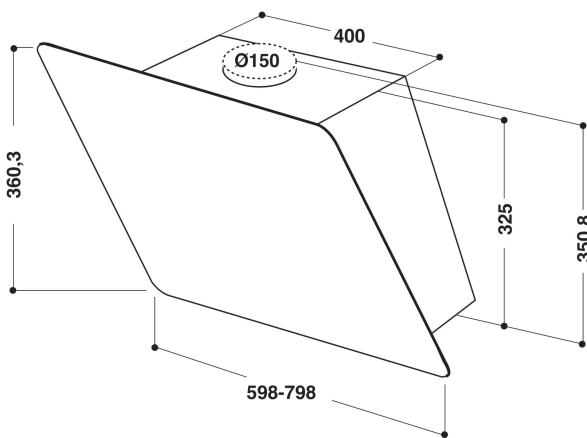
# AKR 038 G BL

12NC: 857803801000

EAN code: 8003437219375



SENSING THE DIFFERENCE



## MAIN FEATURES

|  |                               |
|--|-------------------------------|
| Product group                                  | Hood                          |
| Colour body                                    | Black                         |
| Material body                                  | Glass                         |
| Colour chimney                                 | Black                         |
| Material chimney                               | Metal                         |
| Typology                                       | Manual                        |
| Installation type                              | Free-standing                 |
| Type of control                                | Electronic                    |
| Type of control setting and signalling devices | -                             |
| Decor panel options                            | N/A                           |
| Motor location                                 | Integrated motor in hood body |
| Operating Mode                                 | Convertible                   |
| Connection rating (W)                          | 272                           |
| Current (A)                                    | 1,2                           |
| Voltage (V)                                    | 220-240                       |
| Frequency (Hz)                                 | 50-60                         |
| Length of Electrical Supply Cord (cm)          | 150                           |
| Plug type                                      | Schuko                        |
| Height of the chimney (mm)                     | 370-700                       |
| Height of product, without chimney (mm)        | 325                           |
| Height of the product                          | 360                           |
| Width of the product                           | 598                           |
| Depth of the product                           | 326                           |
| Minimum niche height                           | 0                             |
| Minimum niche width                            | 0                             |
| Niche depth                                    | 0                             |
| Net weight (kg)                                | 12                            |

## TECHNICAL FEATURES

|  |                    |
|--|--------------------|
| Type of manual control devices             | Touch control      |
| Type of automatic control devices          | -                  |
| Number of motors                           | 1                  |
| Total power of the motors (W)              | 270                |
| Number of speed settings                   | 3                  |
| Boost position                             | Yes                |
| Maximum output air extraction (m3/h)       | 629                |
| Boost position air extraction (m3/h)       | 713                |
| Maximum output recirculating air (m3/h)    | 438                |
| Boost position output recirculating (m3/h) | 458                |
| Light Control Type                         | On/off             |
| Number of lights                           | 2                  |
| Type of lamps used                         | LED                |
| Total power of the lamps (W)               | 2                  |
| Diameter of air outlet (mm)                | 150                |
| No-return airflow flap                     | No                 |
| Grease filter material                     | Washable aluminium |
| Odour filter                               | No                 |

## ENERGY LABEL

|   |    |
|---|----|
| Sound power at min. speed (2010/30/EC)          | 60 |
| Sound power at max. speed (2010/30/EC)          | 60 |
| Noise level with boost position (dB(A) re 1 pW) | 0  |