

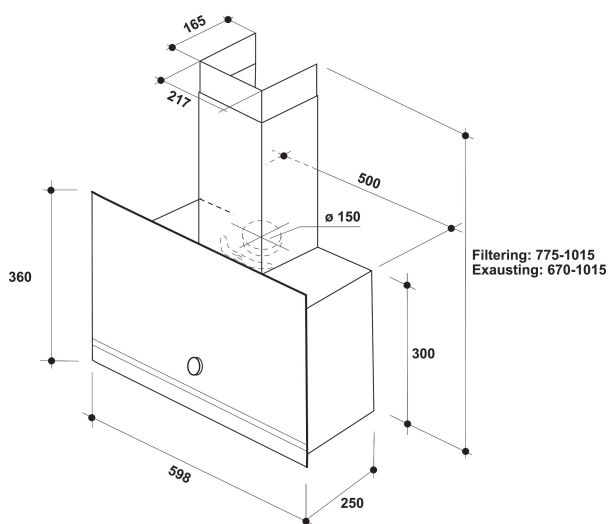
# WHVA 62F LM K

12NC: 859991639320

GTIN (EAN) code: 8003437627590

**Whirlpool**

SENSING THE DIFFERENCE



## MAIN FEATURES

|   |                               |
|---|-------------------------------|
| Product group                           | Napa                          |
| Colour body                             | Crna                          |
| Material body                           | Metal / glass                 |
| Colour chimney                          | Crna                          |
| Material chimney                        | Metal                         |
| Typology                                | Manual                        |
| Installation type                       | Samostojeći                   |
| Type of control                         | Mechanical                    |
| Type of control settings                | -                             |
| Decor panel options                     | -                             |
| Motor location                          | Integrated motor in hood body |
| Operating Mode                          | Convertible                   |
| Electrical connection rating (W)        | 233                           |
| Current (A)                             | 1                             |
| Voltage (V)                             | 220-240                       |
| Frequency (Hz)                          | 50                            |
| Length of Electrical Supply Cord (cm)   | 150                           |
| Plug type                               | Schuko                        |
| Chimney height (mm)                     | -                             |
| Height of product, without chimney (mm) | 360                           |
| Height of the product                   | 775                           |
| Width of the product                    | 598                           |
| Depth of the product                    | 250                           |
| Minimum niche height                    | 0                             |
| Minimum niche width                     | 0                             |
| Niche depth                             | 0                             |
| Net weight (kg)                         | 13.1                          |

## TECHNICAL FEATURES

|   |                    |
|---|--------------------|
| Type of manual control devices                          | Monoknob           |
| Type of automatic control devices                       | -                  |
| Number of motors  | 1                  |
| Total power of the motors (W)                           | 230                |
| Number of speed settings: boost option availability     | 3                  |
| Boost presence  | Ne                 |
| Maximum output air extraction (m <sup>3</sup> /h)       | 485                |
| Boost position air extraction (m <sup>3</sup> /h)       | 0                  |
| Maximum output recirculating air (m <sup>3</sup> /h)    | 490                |
| Boost position output recirculating (m <sup>3</sup> /h) | 0                  |
| Light Control Type                                      | On/Off             |
| Number of lights  | 1                  |
| Type of lamps used                                      | Strip LED          |
| Total power of the lamps (W)                            | 3                  |
| Diameter of air outlet (mm)                             | 150                |
| No-return airflow flap                                  | Yes                |
| Grease filter material                                  | Washable aluminium |
| Odour filter  | Yes                |

## ENERGY LABEL

|   |    |
|---|----|
| Sound power at min. speed (2010/30/EU)          | 51 |
| Sound power at max. speed (2010/30/EU)          | 65 |
| Noise level with boost position (dB(A) re 1 pW) | 0  |