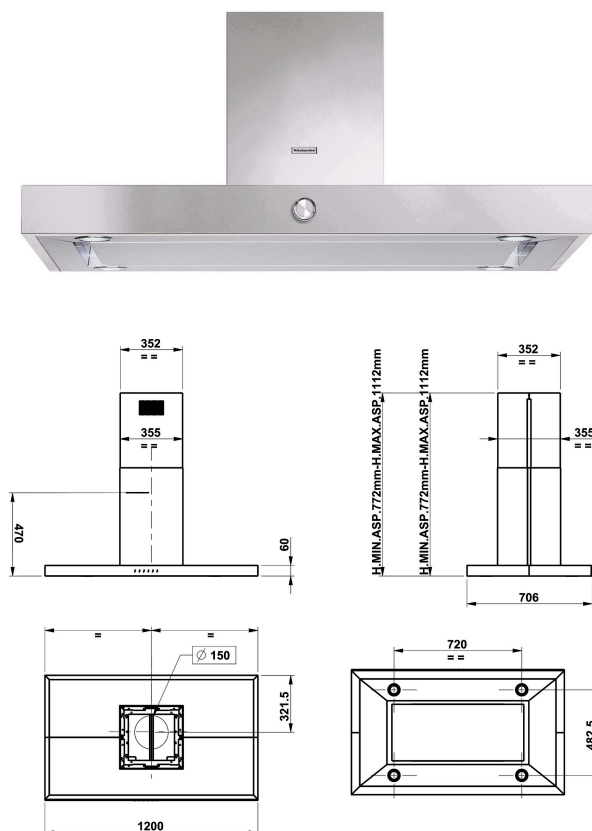


KEIPP 12020

12NC: 851351001000

GTIN (EAN) code 8003437220951

KitchenAid



MAIN FEATURES

Product group	Hood
Colour body	Inox
Material body	Stainless steel antifinger print
Colour chimney	Inox
Material chimney	Stainless steel
Typology	Built-in/Built-under
Installation type	Free-standing
Type of control	Electronic
Type of control settings	-
Decor panel options	N/A
Motor location	Integrated motor in hood chimney
Operating Mode	Convertible
Electrical connection rating (W)	310
Current (A)	0,7
Voltage (V)	220-240
Frequency (Hz)	50
Length of Electrical Supply Cord (cm)	150
Plug type	Schuko
Chimney height (mm)	530-1125
Height of product, without chimney (mm)	470
Height of the product	643
Width of the product	1200
Depth of the product	706
Minimum niche height	0
Minimum niche width	0
Niche depth	0
Net weight (kg)	40.8

TECHNICAL FEATURES

Type of manual control devices	Knob
Type of automatic control devices	-
Number of motors	1
Total power of the motors (W)	300
Number of speed settings: boost option availability	4
Boost presence	Yes
Maximum output air extraction (m ³ /h)	779
Boost position air extraction (m ³ /h)	779
Maximum output recirculating air (m ³ /h)	416
Boost position output recirculating (m ³ /h)	416
Light Control Type	On/Off
Number of lights	4
Type of lamps used	LED
Total power of the lamps (W)	10
Diameter of air outlet (mm)	150
No-return airflow flap	Yes
Grease filter material	Washable aluminium
Odour filter	No

PERFORMANCES

Sound power at min. speed (2010/30/EU)	56
Sound power at max. speed (2010/30/EU)	66
Noise level with boost position (dB(A) re 1 pW)	0