

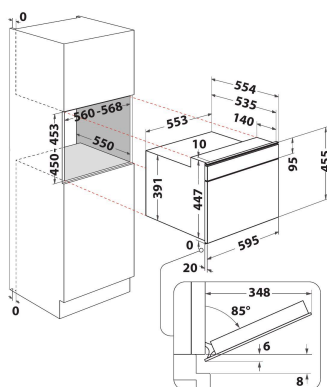
W9I MW261

12NC: 859991542280

GTIN (EAN) code: 8003437396090

Whirlpool

SENSING THE DIFFERENCE



PÕHIOMADUSED

Product group	Microwave
Commercial code	W9I MW261
Main colour of product	Dark grey
Type of micro-wave oven	MW-Combi
Construction type	Built-in
Type of control	Electronic
Type of control settings	LCD
Additional cooking method Grill	Yes
Crisp	Yes
Steam	Yes
Additional cooking method Fan cooking	Yes
Clock	Yes
Automatic programmes	Yes
Height of the product	455
Width of the product	595
Depth of the product	560
Minimum niche height	450
Minimum niche width	556
Niche depth	550
Net weight (kg)	29.7
Cavity capacity (l)	40
Turntable	Yes
Turntable diameter (mm)	400
Integrated Cleaning system	No

TEHNILISED OMADUSED

Current (A)	16
Voltage (V)	230
Frequency (Hz)	50
Length of Electrical Supply Cord (cm)	135
Plug type	Schuko
Timer	Yes
Grill power (W)	1600
Type of grill	Heating element
Cavity material	Stainless steel
Interior light	Yes
Additional cooking method Grill	Yes
Position of interior lights of the cavity	Right side

ENERGIAMÄRGIS

6th Sense / Dynamic Intelligence	6th Sense
Number of power levels	7
Maximum micro-wave power (W)	900
Bread defrost	Yes
Jet defrost	Yes
Jet start	Yes