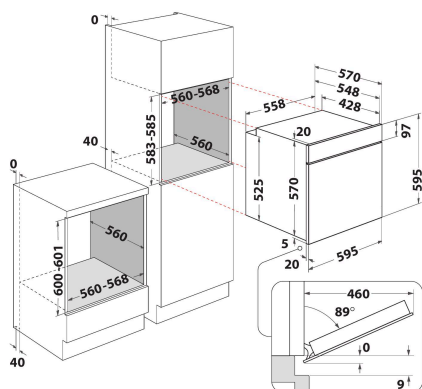


IFWS 4841 JH BL

12NC: F159754

GTIN (EAN) code: 8050147597545

Indesit
Life proof.



MAIN FEATURES

| | |
|---------------------------------------|-----------------|
| Product group | Oven |
| Commercial code | IFWS 4841 JH BL |
| Main colour of product | Черен |
| Construction type | Built-in |
| Type of control | Electronic |
| Type of control settings | - |
| Are any hobs controls integrated? | No |
| Which kind of hobs can be controlled? | - |
| Automatic programmes | Yes |
| Current (A) | 13 |
| Voltage (V) | 220-240 |
| Frequency (Hz) | 50/60 |
| Length of Electrical Supply Cord (cm) | 100 |
| Plug type | No |
| Depth with open door 90 degree (mm) | - |
| Height of the product | 595 |
| Width of the product | 595 |
| Depth of the product | 551 |
| Minimum niche height | 0 |
| Minimum niche width | 0 |
| Niche depth | 0 |
| Net weight (kg) | 26.9 |
| Usable volume (of cavity) | 71 |
| Integrated Cleaning system | Hydrolytic |
| Grids of the cavity | 1 |
| Trays | 2 |

TECHNICAL FEATURES

| | |
|---|------------|
| Timer | Yes |
| Time control | Electronic |
| Time-setting options | Stop |
| Safety device | - |
| Interior light | Yes |
| Number of interior lights of the cavity | 1 |
| Position of interior lights of the cavity | Front left |
| Oven guides of the cavity | Grids |
| Probe of the cavity | No |

ENERGY LABEL

| | |
|---|--------------|
| Energy input | Electric |
| Type of energy of the cavity | електрически |
| Energy efficiency class - NEW (2010/30/EU) | A+ |
| Energy consumption per cycle conventional - NEW (2010/30/EU) | 0.89 |
| Energy consumption per cycle forced air convection - NEW (2010/30/EU) | 0.69 |