

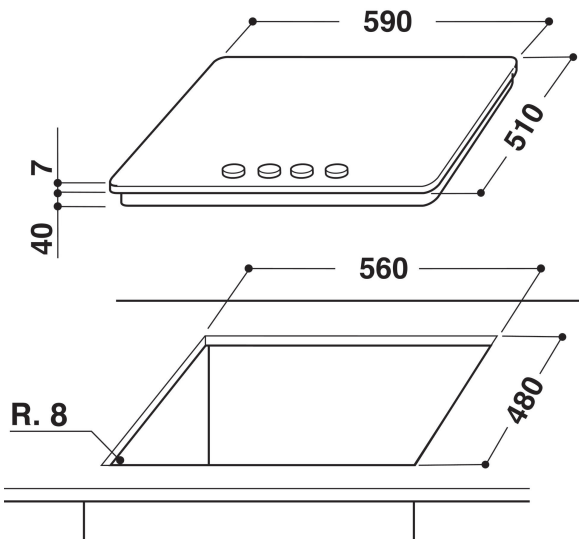
GMA 6410/IX

12NC: 852441910000

EAN code: 8003437829420



SENSING THE DIFFERENCE



MAIN FEATURES

Product group	Hob
Construction type	Вбудована
Type of control	Mechanical
Type of control setting and signalling devices	-
Number of gas burners	4
Number of electric cooking zones	0
Number of electric plates	0
Number of radiant plates	0
Number of halogen plates	0
Number of induction plates	0
Number of electric warming zones	0
Location of control panel	Hob Front
Basic surface material	Inox
Main colour of product	Inox
Electrical connection rating (W)	0
Gas connection rating (W)	7800
Current (A)	0,2
Voltage (V)	220-240
Frequency (Hz)	50-60
Length of Electrical Supply Cord (cm)	85
Plug type	Hi
Gas connection	Cilindric
Width of the product	560
Height of the product	30
Depth of the product	480
Minimum niche height	38
Minimum niche width	560
Niche depth	480
Net weight (kg)	7.50
Automatic programmes	Hi

TECHNICAL FEATURES

Power on indicator	Hi
Plate on indicator	0
Type of regulation	Semirapid
Type of lid	Without
Residual heat indicator	without
Main on/off switch	Hi
Safety device	-
Timer	Hi

ENERGY LABEL

Energy input	Gas
--------------	-----