

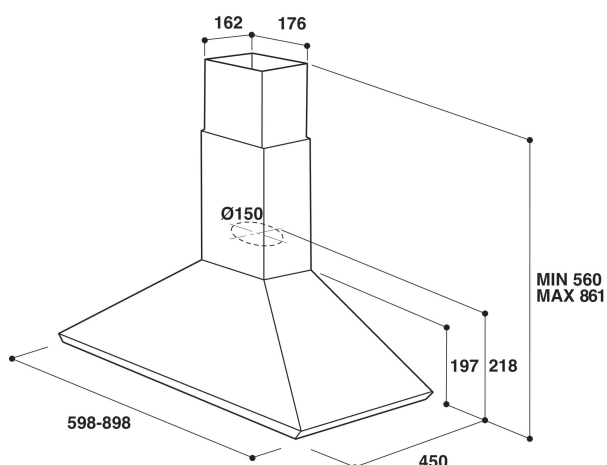
AKR 672 IX

12NC: 857867201000

EAN code: 8003437797682

Whirlpool

SENSING THE DIFFERENCE



MAIN FEATURES

| | |
|--|-------------------------------|
| Product group | Hood |
| Colour body | Inox |
| Material body | Stainless steel |
| Colour chimney | - |
| Material chimney | - |
| Typology | Chimney |
| Installation type | Wall-mounted |
| Type of control | Mechanical |
| Type of control setting and signalling devices | - |
| Decor panel options | N/A |
| Motor location | Integrated motor in hood body |
| Operating Mode | Convertible |
| Connection rating (W) | 176 |
| Current (A) | 0,8 |
| Voltage (V) | 220-240 |
| Frequency (Hz) | 50-60 |
| Length of Electrical Supply Cord (cm) | 150 |
| Plug type | Europlug |
| Height of the chimney (mm) | 259-560 |
| Height of product, without chimney (mm) | 197 |
| Height of the product | 861 |
| Width of the product | 598 |
| Depth of the product | 450 |
| Minimum niche height | 0 |
| Minimum niche width | 0 |
| Niche depth | 0 |
| Net weight (kg) | 6.70 |

TECHNICAL FEATURES

| | |
|--|--------------------|
| Type of manual control devices | Slider |
| Type of automatic control devices | - |
| Number of motors | 1 |
| Total power of the motors (W) | 120 |
| Number of speed settings | 3 |
| Boost position | No |
| Maximum output air extraction (m3/h) | 416 |
| Boost position air extraction (m3/h) | 0 |
| Maximum output recirculating air (m3/h) | 347 |
| Boost position output recirculating (m3/h) | 0 |
| Light Control Type | Steps |
| Number of lights | 2 |
| Type of lamps used | Halogene bulb |
| Total power of the lamps (W) | 56 |
| Diameter of air outlet (mm) | 150 |
| No-return airflow flap | Yes |
| Grease filter material | Washable aluminium |
| Odour filter | No |

ENERGY LABEL

| | |
|---|----|
| Sound power at min. speed (2010/30/EC) | 45 |
| Sound power at max. speed (2010/30/EC) | 61 |
| Noise level with boost position (dB(A) re 1 pW) | 0 |