

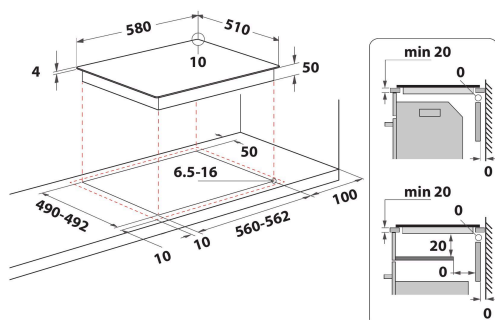
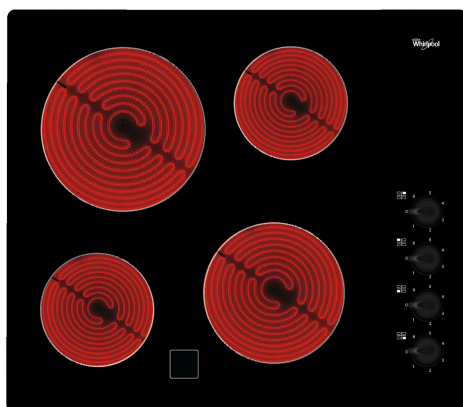
AKM 9010/NE

12NC: 859990964250

GTIN (EAN) code: 8003437829536

Whirlpool

SENSING THE DIFFERENCE



MAIN FEATURES

Product group	Ploča za kuhanje
Construction type	Ugradbeni
Type of control	Mechanical
Type of control settings	-
Number of gas burners	0
Number of electric cooking zones	4
Number of electric plates	0
Number of radiant plates	4
Number of halogen plates	0
Number of induction plates	0
Number of electric warming zones	0
Location of control panel	Lateral
Basic surface material	Glass
Main colour of product	Crna
Electrical connection rating (W)	5700
Gas connection rating (W)	0
Gas type	-
Current (A)	24,8
Voltage (V)	220-240/380-415
Frequency (Hz)	50/60
Length of Electrical Supply Cord (cm)	0
Plug type	Ne
Gas connection	-
Width of the product	580
Height of the product	50
Depth of the product	510
Minimum niche height	50
Minimum niche width	560
Niche depth	490
Net weight (kg)	8
Automatic programmes	Ne

TECHNICAL FEATURES

Power on indicator	Ne
Number of indicators	4
Type of regulation	Radiant
Type of lid	Without
Residual heat indicator	Separate
Main on/off switch	Yes
Safety device	-
Timer	Ne

ENERGY LABEL

Energy input

Electric