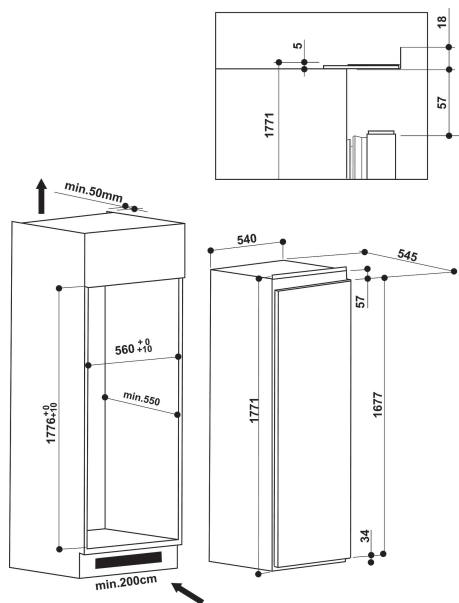


INF 1841F A+ EX

12NC: F157800

GTIN (EAN) code: 8050147578001

Indesit
Life proof.



MAIN FEATURES

Product group	Freezer
Commercial code	INF 1841F A+ EX
GTIN (EAN) code	8050147578001
Construction type	Built-in
Installation type	Full-integrated
Type of control	Electronic
Main colour of product	White
Electrical connection rating (W)	130
Current (A)	13
Voltage (V)	220-240
Frequency (Hz)	50
Length of Electrical Supply Cord (cm)	200
Plug type	UK
Total unit net capacity (l)	209
Height of the product	1771
Width of the product	540
Depth of the product	545
Maximum adjustability feet	0
Net weight (kg)	57
Gross weight (kg)	59
Door hinge	-

TECHNICAL FEATURES

Defrost process	Frost-free
Fast freezing function	Yes
Refrigerator section with thaw water drainage system	Yes
Number of drawers/baskets	8
Lockable door	No
Thermometer freezer section	N/A
Interior light	-

PERFORMANCES

Energy efficiency class - NEW (2010/30/EU)	A+
Freezing capacity (kg/24h) - NEW (2010/30/EU)	19
Temperature rise time (h)	23
Climate class	SN-T
Frost free system	Freezer
Freezer Net capacity (l) - NEW (2010/30/EU)	209