

Instructions for use

WASHING MACHINE

GB

GB

English,1

CZ

Český,13

SK

Slovensky,25

HU

Magyar,37

RO

Română,49

UA

Українська,61

EWSD 51051

Contents

Installation, 2-3

Unpacking and levelling
Connecting the electricity and water supplies
The first wash cycle
Technical data

Care and maintenance, 4

Cutting off the water or electricity supply
Cleaning the washing machine
Cleaning the detergent dispenser drawer
Caring for the door and drum of your appliance
Cleaning the pump
Checking the water inlet hose

Precautions and tips, 5

General safety
Disposal

Description of the washing machine and starting a wash cycle, 6-7

Control panel
Indicator lights
Starting a wash cycle

Wash cycles, 8

Table of wash cycles
Fast daily cycles

Personalisation, 9

Setting the temperature
Setting the spin speed
Functions

Detergents and laundry, 10

Detergent dispenser drawer
Preparing the laundry
Special wash cycles
Load balancing system

Troubleshooting, 11

Service, 12

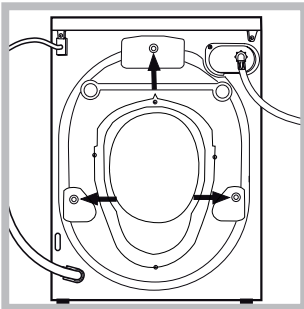
Installation

GB ! This instruction manual should be kept in a safe place for future reference. If the washing machine is sold, transferred or moved, make sure that the instruction manual remains with the machine so that the new owner is able to familiarise himself/herself with its operation and features.
! Read these instructions carefully: they contain vital information relating to the safe installation and operation of the appliance.

Unpacking and levelling

Unpacking

1. Remove the washing machine from its packaging.
2. Make sure that the washing machine has not been damaged during the transportation process. If it has been damaged, contact the retailer and do not proceed any further with the installation process.



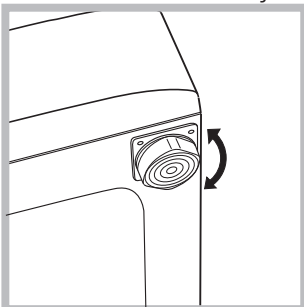
3. Remove the 3 protective screws (used during transportation) and the rubber washer with the corresponding spacer, located on the rear part of the appliance (see figure).

4. Close off the holes using the plastic plugs provided.
5. Keep all the parts in a safe place: you will need them again if the washing machine needs to be moved to another location.

! Packaging materials should not be used as toys for children.

Levelling

1. Install the washing machine on a flat sturdy floor, without resting it up against walls, furniture cabinets or anything else.

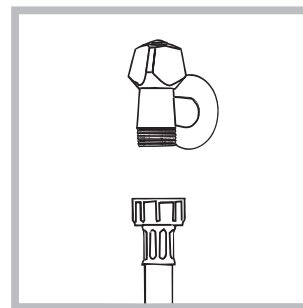


2. If the floor is not perfectly level, compensate for any unevenness by tightening or loosening the adjustable front feet (see figure); the angle of inclination, measured in relation to the worktop, must not exceed 2°.

Levelling the machine correctly will provide it with stability, help to avoid vibrations and excessive noise and prevent it from shifting while it is operating. If it is placed on carpet or a rug, adjust the feet in such a way as to allow a sufficient ventilation space underneath the washing machine.

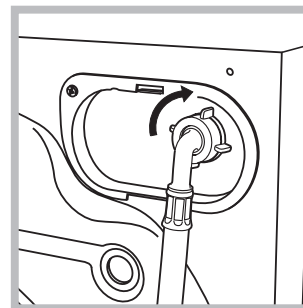
Connecting the electricity and water supplies

Connecting the water inlet hose



1. Connect the supply pipe by screwing it to a cold water tap using a $\frac{3}{4}$ gas threaded connection (see figure).

Before performing the connection, allow the water to run freely until it is perfectly clear.



2. Connect the inlet hose to the washing machine by screwing it onto the corresponding water inlet of the appliance, which is situated on the top right-hand side of the rear part of the appliance (see figure).

3. Make sure that the hose is not folded over or bent.

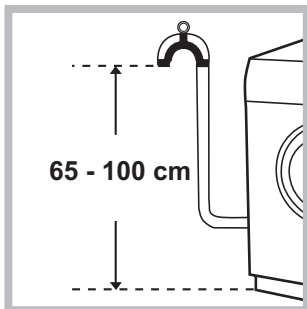
! The water pressure at the tap must fall within the values indicated in the Technical details table (see next page).

! If the inlet hose is not long enough, contact a specialised shop or an authorised technician.

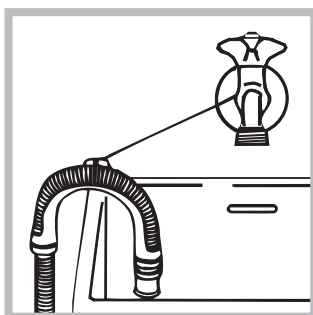
! Never use second-hand hoses.

! Use the ones supplied with the machine.

Connecting the drain hose



Connect the drain hose, without bending it, to a drainage duct or a wall drain located at a height between 65 and 100 cm from the floor;



alternatively, rest it on the side of a washbasin or bathtub, fastening the duct supplied to the tap (see figure). The free end of the hose should not be underwater.

! We advise against the use of hose extensions; if it is absolutely necessary, the extension must have the same diameter as the original hose and must not exceed 150 cm in length.

Electrical connections

Before plugging the appliance into the electricity socket, make sure that:

- the socket is earthed and complies with all applicable laws;
- the socket is able to withstand the maximum power load of the appliance as indicated in the Technical data table (see opposite);
- the power supply voltage falls within the values indicated in the Technical data table (see opposite);
- the socket is compatible with the plug of the washing machine. If this is not the case, replace the socket or the plug.

! The washing machine must not be installed outdoors, even in covered areas. It is extremely dangerous to leave the appliance exposed to rain, storms and other weather conditions.

! When the washing machine has been installed, the electricity socket must be within easy reach.

! Do not use extension cords or multiple sockets.



! The cable should not be bent or compressed.

! The power supply cable must only be replaced by authorised technicians.

Warning! The company shall not be held responsible in the event that these regulations are not respected.

The first wash cycle

Once the appliance has been installed, and before you use it for the first time, run a wash cycle with detergent and no laundry, using the wash cycle 2.

Technical data	
Model	EWSD 51051
Dimensions	width 59.5 cm height 85 cm depth 42,4 cm
Capacity	from 1 to 5 kg
Electrical connections	please refer to the technical data plate fixed to the machine
Water connection	maximum pressure 1 MPa (10 bar) minimum pressure 0.05 MPa (0.5 bar) drum capacity 40 litres
Spin speed	up to 1000 rotations per minute
Test wash cycles in accordance with regulations 1061/2010 and 1015/2010	Programme 15: Eco Cotton 60°C. Programme 15: Eco Cotton 40°C.
 	This appliance conforms to the following EC Directives: - 2004/108/EC (Electromagnetic Compatibility) - 2012/19/EU - WEEE - 2006/95/EC Low Voltage)

Care and maintenance

GB

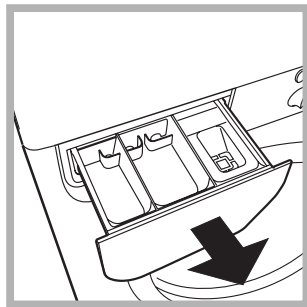
Cutting off the water and electricity supplies

- Turn off the water tap after every wash cycle. This will limit wear on the hydraulic system inside the washing machine and help to prevent leaks.
- Unplug the washing machine when cleaning it and during all maintenance work.

Cleaning the washing machine

The outer parts and rubber components of the appliance can be cleaned using a soft cloth soaked in lukewarm soapy water. Do not use solvents or abrasives.

Cleaning the detergent dispenser drawer



Remove the dispenser by raising it and pulling it out (see figure). Wash it under running water; this operation should be repeated frequently.

Caring for the door and drum of your appliance

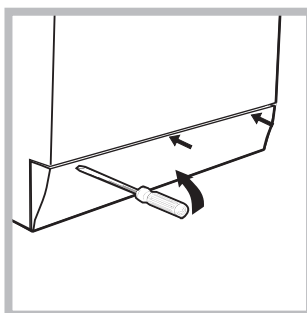
- Always leave the porthole door ajar in order to prevent unpleasant odours from forming.

Cleaning the pump

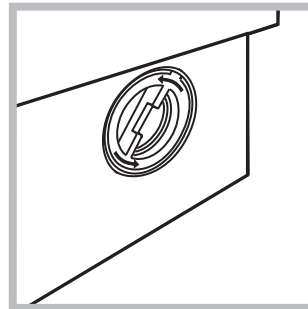
The washing machine is fitted with a self-cleaning pump which does not require any maintenance. Sometimes, small items (such as coins or buttons) may fall into the pre-chamber which protects the pump, situated in its bottom part.

- ! Make sure the wash cycle has finished and unplug the appliance.

To access the pre-chamber:



1. using a screwdriver, remove the cover panel on the lower front part of the washing machine (see figure);



2. unscrew the lid by rotating it anti-clockwise (see figure): a little water may trickle out. This is perfectly normal;

3. clean the inside thoroughly;
4. screw the lid back on;
5. reposition the panel, making sure the hooks are securely in place before you push it onto the appliance.

Checking the water inlet hose

Check the inlet hose at least once a year. If there are any cracks, it should be replaced immediately: during the wash cycles, water pressure is very strong and a cracked hose could easily split open.

- ! Never use second-hand hoses.

! This washing machine was designed and constructed in accordance with international safety regulations. The following information is provided for safety reasons and must therefore be read carefully.

Consumers should contact their local authority or retailer for information concerning the correct disposal of their old appliance.

GB

General safety

- This appliance was designed for domestic use only.
- This appliance can be used by children aged from 8 years and above and persons with reduced physical, sensory or mental capabilities or lack of experience and knowledge if they have been given supervision or instruction concerning use of the appliance in a safe way and understand the hazards involved. Children shall not play with the appliance. Cleaning and user maintenance shall not be made by children without supervision.
- Do not touch the machine when barefoot or with wet or damp hands or feet.
- Do not pull on the power supply cable when unplugging the appliance from the electricity socket. Hold the plug and pull.
- Do not open the detergent dispenser drawer while the machine is in operation.
- Do not touch the drained water as it may reach extremely high temperatures.
- Never force the porthole door. This could damage the safety lock mechanism designed to prevent accidental opening.
- If the appliance breaks down, do not under any circumstances access the internal mechanisms in an attempt to repair it yourself.
- Always keep children well away from the appliance while it is operating.
- The door can become quite hot during the wash cycle.
- If the appliance has to be moved, work in a group of two or three people and handle it with the utmost care. Never try to do this alone, because the appliance is very heavy.
- Before loading laundry into the washing machine, make sure the drum is empty.

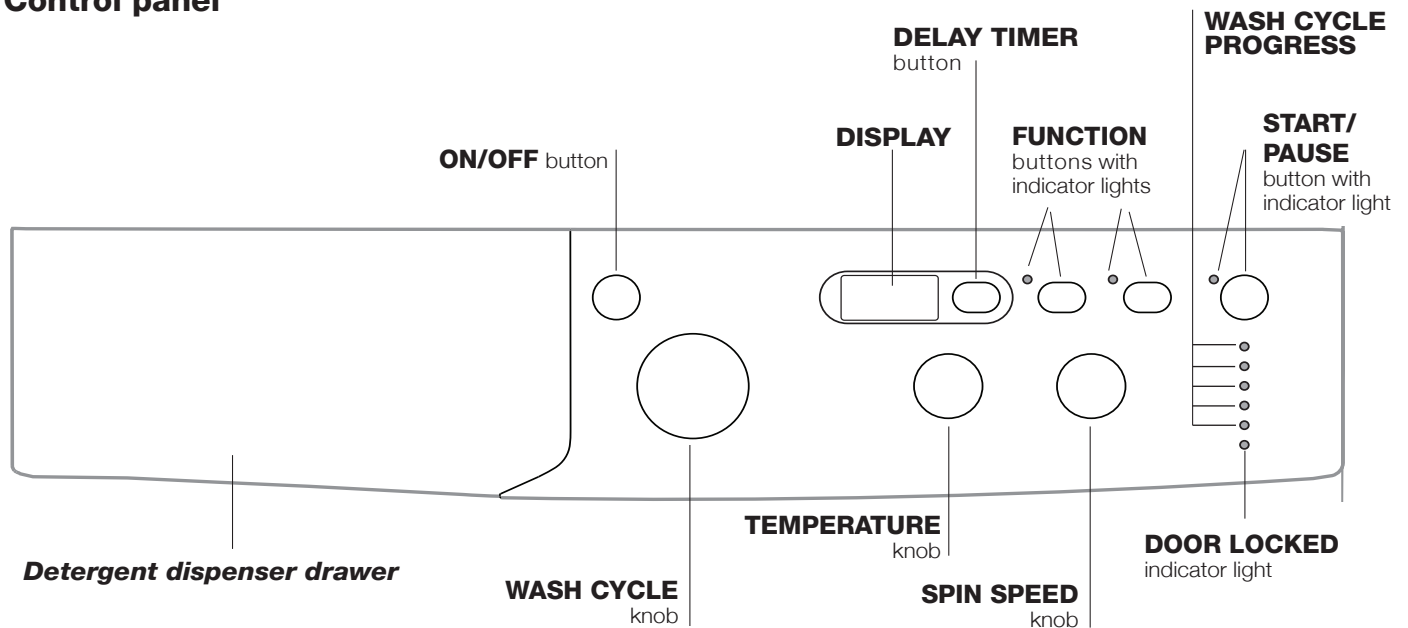
Disposal

- Disposing of the packaging materials: observe local regulations so that the packaging may be re-used.
- The European Directive 2012/19/EU - WEEE on Waste Electrical and Electronic Equipment, requires that old household electrical appliances must not be disposed of in the normal unsorted municipal waste stream. Old appliances must be collected separately in order to optimise the recovery and recycling of the materials they contain and reduce the impact on human health and the environment. The crossed out "wheeled bin" symbol on the product reminds you of your obligation, that when you dispose of the appliance it must be separately collected.

Description of the washing machine and starting a wash cycle

GB

Control panel



Detergent dispenser drawer: used to dispense detergents and washing additives (see “Detergents and laundry”).

ON/OFF button: switches the washing machine on and off.

WASH CYCLE knob: programmes the wash cycles. During the wash cycle, the knob does not move.

FUNCTION buttons with indicator light: used to select the available functions. The indicator light corresponding to the selected function will remain lit.

TEMPERATURE knob: sets the temperature or the cold wash cycle (see “Personalisation”).

SPIN SPEED knob: sets the spin speed or exclude the spin cycle completely (see “Personalisation”).


DISPLAY: used to view the duration of the various cycles available and the remaining time of a cycle in progress; if the DELAY TIMER option has been selected, the countdown to the start of the selected cycle will appear.

DELAY TMER button : press to set a delayed start time for the selected wash cycle. The delay time will be shown on the display.

WASH CYCLE PROGRESS indicator lights: used to monitor the progress of the wash cycle. The illuminated indicator light shows which phase is in progress.

DOOR LOCKED indicator light: indicates whether the door may be opened or not (see next page).

START/PAUSE button with indicator light: starts or temporarily interrupts the wash cycles.

N.B. To pause the wash cycle in progress, press this button; the corresponding indicator light will flash orange, while the indicator light for the current wash cycle phase will remain lit in a fixed manner. If the DOOR LOCKED  indicator light is switched off, the door may be opened (wait approximately 3 minutes). To start the wash cycle from the point at which it was interrupted, press this button again.

Standby mode


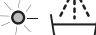


This washing machine, in compliance with new energy saving regulations, is fitted with an automatic standby system which is enabled after about 30 minutes if no activity is detected. Press the ON-OFF button briefly and wait for the machine to start up again.

Indicator lights

The indicator lights provide important information. This is what they can tell you:

Wash cycle phase indicator lights

Once the desired wash cycle has been selected and has begun, the indicator lights switch on one by one to indicate which phase of the cycle is currently in progress.

Wash	○ 
Rinse	○ 
Spin	○ 
Drain	○ 
End of wash cycle	○ END

Function buttons and corresponding indicator lights

When a function is selected, the corresponding indicator light will illuminate.

If the selected function is not compatible with the programmed wash cycle, the corresponding indicator light will flash and the function will not be activated.

If the selected function is not compatible with another function which has been selected previously, the indicator light corresponding to the first function selected will flash and only the second function will be activated; the indicator light corresponding to the enabled option will remain lit.


Door locked indicator light

When the indicator light is on, the porthole door is locked to prevent it from being opened; make sure the indicator light is off before opening the door (wait approximately 3 minutes). To open the door during a running wash cycle, press the START/PAUSE button; the door may be opened once the DOOR LOCKED indicator light turns off.

Starting a wash cycle

1. Switch the washing machine on by pressing the ON/OFF button. All indicator lights will switch on for a few seconds, then they will switch off and the START/PAUSE indicator light will pulse.
2. Load the laundry and close the door.
3. Set the WASH CYCLE knob to the desired programme.
4. Set the washing temperature (see "Personalisation").
5. Set the spin speed (see "Personalisation").
6. Measure out the detergent and washing additives (see "Detergents and laundry").
7. Select the desired functions.
8. Start the wash cycle by pressing the START/PAUSE button and the corresponding indicator light will remain lit in a fixed manner, in green.

To cancel the set wash cycle, pause the machine by pressing the START/PAUSE button and select a new cycle.

9. At the end of the wash cycle the **END** indicator light will switch on. The door can be opened once the DOOR LOCK  indicator light turns off (wait approximately 3 minutes). Take out your laundry and leave the appliance door ajar to make sure the drum dries completely. Switch the washing machine off by pressing the ON/OFF button.

Wash cycles

Table of wash cycles

Wash cycles	Description of the wash cycle	Max. temp. (°C)	Max. speed (rpm)	Detergents			Max. load (kg)	Residual dampness %	Energy consumption kWh	Total water lt	Cycle duration
				Pre-wash	Wash	Fabric softener					
EVERYDAY FAST											
1	Colour Mix 59'	40°	1000	-	●	●	5	-	-	-	59'
2	Cotton 59'	60°	1000	-	●	●	5	-	-	-	59'
3	Cotton 45'	40°	1000	-	●	●	2,5	-	-	-	45'
4	Synthetics 59' (3)	40° (Max. 60°)	1000	-	●	●	3	44	0.72	36	59'
5	Mix 30'	30°	800	-	●	●	3	71	0.16	27	30'
6	Express 20'	20°	800	-	●	●	1,5	-	-	-	20'
Special & Partial											
7	Gym Kit	40°	600	-	●	●	2,5	-	-	-	**
8	Sport Shoes	30°	600	-	●	●	Max. 1 pairs	-	-	-	**
9	Baby: Heavily soiled delicate colours.	40°	800	-	●	●	2	-	-	-	**
10	Rinse	-	1000	-	-	●	5	-	-	-	**
11	Spin + Drain	-	1000	-	-	-	5	-	-	-	**
11	Only Drain *	-		-	-	-	5	-	-	-	**
Dedicated											
12	Duvet: for down-stuffed garments.	30°	1000	-	●	●	1	-	-	-	**
13	Wool: for wool, cashmere, etc.	40°	800	-	●	●	1	-	-	-	**
14	Silk/Curtains: for garments in silk and viscose, lingerie.	30°	0	-	●	●	1	-	-	-	**
15	Eco Cotton 60° (1): heavily soiled whites and resistant colours.	60°	1000	-	●	●	5	62	0,92	47,5	220'
15	Eco Cotton 40° (2): lightly soiled whites and delicate colours.	40°	1000	-	●	●	5	62	0,66	66	215'
16	Cotton with prewash: extremely soiled whites.	90°	1000	●	●	●	5	-	-	-	**

* If you select programme 11 and exclude the spin cycle, the machine will drain only.

** The duration of the wash cycle can be checked on the display.

The length of cycle shown on the display or in this booklet is an estimation only and is calculated assuming standard working conditions. The actual duration can vary according to factors such as water temperature and pressure, the amount of detergent used, the amount and type of load inserted, load balancing and any wash options selected.

1) Test wash cycle in compliance with regulations 1061/2010: set wash cycle 15 with a temperature of 60°C.

This cycle is designed for cotton loads with a normal soil level and is the most efficient in terms of both electricity and water consumption; it should be used for garments which can be washed at 60°C. The actual washing temperature may differ from the indicated value.

2) Test wash cycle in compliance with regulations 1061/2010: set wash cycle 15 with a temperature of 40°C.

This cycle is designed for cotton loads with a normal soil level and is the most efficient in terms of both electricity and water consumption; it should be used for garments which can be washed at 40°C. The actual washing temperature may differ from the indicated value.

For all Test Institutes:

2) Long wash cycle for cottons: set wash cycle 15 with a temperature of 40°C.

3) Long programme for synthetics: set programme 4, then select the "Extra Wash" option.

Fast daily cycles

A complete set of fast programmes to wash the most commonly used fabrics - even with a full load - and to remove the most frequent daily dirt in less than 1 hour.

Colour Mix 59': to wash mixed and coloured items together.

Cotton 59': cycle designed to wash cotton garments - mainly white items. It can be used with powder detergent too.

Cotton 45': short cycle designed to wash delicate cotton items.

Synthetics 59': specific for synthetic items. If the dirt is difficult to remove, the temperature can be increased up to 60° and powder detergent can be used too.

Mix 30': short cycle designed to wash a mixed load of cotton and synthetic fabrics - white and coloured items together.

Express 20': this programme refreshes your items, making them perfumed again in just 20 minutes.

Setting the temperature

Turn the TEMPERATURE knob to set the wash temperature (see *Table of wash cycles*).

The temperature may be lowered, or even set to a cold wash .

The washing machine will automatically prevent you from selecting a temperature which is higher than the maximum value set for each wash cycle.


! Exception: if the **4** programme is selected, the temperature can be increased up to a value of 60°C.

Setting the spin speed

Turn the SPIN SPEED knob to set the spin speed for the selected wash cycle.

The maximum spin speeds available for each wash cycle are as follows:

Wash cycles	Maximum spin speed
Cottons	1000 rpm
Synthetics	1000 rpm
Wool	800 rpm
Silk	drain only

The spin speed may be lowered, or the spin cycle can be excluded altogether by selecting the symbol .

The washing machine will automatically prevent you from selecting a spin speed which is higher than the maximum speed set for each wash cycle.

Functions

The various wash functions available with this washing machine will help to achieve the desired results, every time.


To activate the functions:

1. Press the button corresponding to the desired function;
2. the function is enabled when the corresponding indicator light is illuminated.

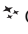
Note:

- If the selected function is not compatible with the programmed wash cycle, the corresponding indicator light will flash and the function will not be activated.
- If the selected function is not compatible with another function which has been selected previously, the indicator light corresponding to the first function selected will flash and only the second function will be activated; the indicator light corresponding to the enabled option will remain lit.


Delay timer

To set a delayed start for the selected programme, press the corresponding button repeatedly until the required delay period has been reached. When this option is enabled, the  symbol lights up on the display. To remove the delayed start option press the button until the text "OFF" appears on the display.

Extra Wash

Enable the **Extra Wash**  option for very dirty items, where compatible. Press this option to let the cycle automatically re-adjust all wash parameters through a longer lasting cycle. The option always leaves the temperature unchanged, while the spin cycle is automatically brought back to maximum levels. The user can set the spin cycle back to the desired value at any time.

Energy Saver

The **Energy Saver**  option washes cotton and synthetic items, saving energy and helping the environment. Energy saving is due to a cold wash cycle, while an enhanced mechanical action and optimised water use make it possible to reach the desired result. Recommended for slightly soiled garments. Use of liquid detergent recommended.

Detergents and laundry

GB

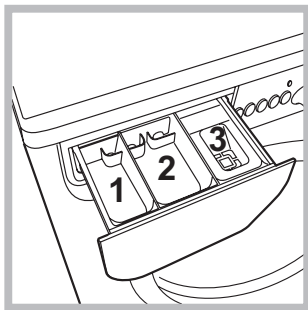
Detergent dispenser drawer

Good washing results also depend on the correct dose of detergent: adding too much detergent will not necessarily result in a more efficient wash, and may in fact cause build up on the inside of your appliance and contribute to environmental pollution.

! Do not use hand washing detergents because these create too much foam.

! Use powder detergent for white cotton garments, for pre-washing, and for washing at temperatures over 60°C.

! Follow the instructions given on the detergent packaging.



Open the detergent dispenser drawer and pour in the detergent or washing additive, as follows.

compartment 1: Pre-wash detergent (powder)
compartment 2: Detergent for the wash cycle (powder or liquid)

Liquid detergent should only be poured in immediately prior to the start of the wash cycle.

compartment 3: Additives (fabric softeners, etc.)

The fabric softener should not overflow the grid.

Note: If a "tablet detergent" is used, always follow the manufacturer's instructions.

Preparing the laundry

- Divide the laundry according to:
 - the type of fabric/the symbol on the label
 - the colours: separate coloured garments from whites.
- Empty all garment pockets and check the buttons.
- Do not exceed the values listed in the "Table of wash cycles", which refer to the weight of the laundry when dry.

How much does your laundry weigh?

- 1 sheet 400-500 g
- 1 pillow case 150-200 g
- 1 tablecloth 400-500 g
- 1 bathrobe 900-1200 g
- 1 towel 150-250 g

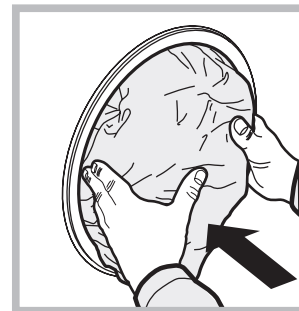
Special wash cycles


Gym Kit: cycle suitable to wash all sports items together, including gym towels, while respecting their fibres (follow the instructions in the garment labels).

Sport Shoes: is for washing sports shoes; for best results, do not wash more than 1 pairs simultaneously. We recommend fastening any strings before introducing the shoes into the drum.

Baby: cycle designed for dirt typical of children's garments in that it effectively removes any traces of residual detergent.

Duvet: to wash single duvets (the weight of which should not exceed 1 kg), cushions or clothes padded with goose down such as puffer jackets, use the special wash cycle number **12**. We recommend that duvets are placed in the drum with their edges folded inwards (see figure) and that no more than $\frac{3}{4}$ of the total volume of the drum is used. To achieve the best results, we recommend that a liquid detergent is used and placed inside the detergent dispenser drawer.



Wool: all wool garments can be washed using programme **13**, even those carrying the "hand-wash only"  label. For best results, use special detergents and do not exceed 1 kg of laundry.

Silk: use special wash cycle **14** to wash all silk garments. We recommend the use of special detergent which has been designed to wash delicate clothes.

Curtains: fold curtains and place them in a pillow case or mesh bag. Use wash cycle **14**.

Load balancing system

Before every spin cycle, to avoid excessive vibrations and to distribute the load in a uniform manner, the drum rotates continuously at a speed which is slightly greater than the washing rotation speed. If, after several attempts, the load is not balanced correctly, the machine spins at a reduced spin speed. If the load is excessively unbalanced, the washing machine performs the distribution process instead of spinning. To encourage improved load distribution and balance, we recommend small and large garments are mixed in the load.

Your washing machine could fail to work. Before contacting the Technical Assistance Centre (see "Assistance"), make sure that the problem cannot be not solved easily using the following list.

Problem:

Possible causes / Solutions:

The washing machine does not switch on.

- The appliance is not plugged into the socket fully, or is not making contact.
- There is no power in the house.

The wash cycle does not start.

- The washing machine door is not closed properly.
- The ON/OFF button has not been pressed.
- The START/PAUSE button has not been pressed.
- The water tap has not been opened.
- A delayed start has been set (see "Personalisation").

The washing machine does not take in water ("H2O" will flash on the display).

- The water inlet hose is not connected to the tap.
- The hose is bent.
- The water tap has not been opened.
- There is no water supply in the house.
- The pressure is too low.
- The START/PAUSE button has not been pressed.

The washing machine continuously takes in and drains water.

- The drain hose is not fitted at a height between 65 and 100 cm from the floor (see "Installation").
- The free end of the hose is under water (see "Installation").
- The wall drainage system is not fitted with a breather pipe.

If the problem persists even after these checks, turn off the water tap, switch the appliance off and contact the Assistance Service. If the dwelling is on one of the upper floors of a building, there may be problems relating to water drainage, causing the washing machine to fill with water and drain continuously. Special anti-draining valves are available in shops and help to avoid this inconvenience.

The washing machine does not drain or spin.

- The wash cycle does not include draining: some wash cycles require the drain phase to be started manually.
- The drain hose is bent (see "Installation").
- The drainage duct is clogged.

The washing machine vibrates a lot during the spin cycle.

- The drum was not unlocked correctly during installation (see "Installation").
- The washing machine is not level (see "Installation").
- The washing machine is trapped between cabinets and walls (see "Installation").

The washing machine leaks.

- The water inlet hose is not screwed on properly (see "Installation").
- The detergent dispenser drawer is blocked (for cleaning instructions, see "Care and maintenance").
- The drain hose is not fixed properly (see "Installation").

The "function" indicator lights and the "start/pause" indicator light flash, while one of the "phase in progress" indicator lights and the "door locked" indicator light will remain lit in a fixed manner.

- Switch off the machine and unplug it, wait for approximately 1 minute and then switch it back on again.
If the problem persists, contact the Technical Assistance Service.

There is too much foam.

- The detergent is not suitable for machine washing (it should display the text "for washing machines" or "hand and machine wash", or the like).
- Too much detergent was used.

Service

GB

Before calling for Assistance:

- Check whether you can solve the problem alone (see "Troubleshooting");
- Restart the programme to check whether the problem has been solved;
- If this is not the case, contact an authorised Technical Assistance Centre using the telephone number provided on the guarantee certificate.

! Always request the assistance of authorised technicians.

Have the following information to hand:

- the type of problem;
- the appliance model (Mod.);
- the serial number (S/N).

This information can be found on the data plate applied to the rear of the washing machine, and can also be found on the front of the appliance by opening the door.

COMMISSION DELEGATED REGULATION (EU) No 1061/2010	
Brand	INDESIT
Model	EWS D 51051 W EU
Rated capacity in kg of cotton	5
Energy efficiency class on a scale from A+++ (low consumption) to G (high consumption)	A+
Energy consumption per year in kWh ¹⁾	166
Energy consumption of the standard 60 °C cotton programme at full load in kWh ²⁾	0.92
Energy consumption of the standard 60 °C cotton programme at partial load in kWh ²⁾	0.635
Energy consumption of the standard 40 °C cotton programme at partial load in kWh ²⁾	0.54
Power consumption of the off-mode in W	0.5
Power consumption of the left-on mode in W	8
Water consumption per year in litres ³⁾	7550
Spin-drying efficacy class on a scale from G (minimum efficacy) to A (maximum efficacy)	C
Maximum spin speed attained ⁴⁾	1000
Remaining moisture content ⁵⁾	62.0%
Programme time of the "standard 60 °C cotton" at full load in minutes	220
Programme time of the "standard 60 °C cotton" at partial load in minutes	165
Programme time of the "standard 40°C cotton" at partial load in minutes	160
Duration of the left-on mode in minutes	30
Noise in dB(A) re 1 pW washing ⁶⁾	60
Noise in dB(A) re 1 pW spinning ⁶⁾	80
Built-in model	

¹⁾ The "standard 60°C cotton" at full and partial load and the "standard 40°C cotton" at partial load are the standard washing programmes to which the information in the label and the fiche relates. Standard 60°C cotton and standard 40°C cotton are suitable to clean normally soiled cotton laundry and are the most efficient programmes in terms of combined energy and water consumption. Partial load is half the rated load.

²⁾ Based on 220 standard washing cycles for cotton programmes at 60°C and 40°C at full and partial load, and the consumption of the low-power modes. Actual energy consumption will depend on how the appliance is used.

³⁾ Based on 220 standard washing cycles for cotton programmes at 60°C and 40°C at full and partial load. Actual water consumption will depend on how the appliance is used.

⁴⁾ For the standard 60 °C at full and partial load or the 40°C at partial whichever is lower.

⁵⁾ Attained for 60 °C cotton at full and partial load or the 40°C at partial whichever is higher.

⁶⁾ Based on washing and spinning phases for the standard 60°C cotton programme at full load.

CZ

Česky

EWSD 51051

Obsah

Instalace, 14-15

Rozbalení a vyrovnaní do vodorovné polohy
Připojení k elektrické a k vodovodní síti
První prací cyklus
Technické údaje

Údržba a péče, 16

Uzavření přívodu vody a vypnutí elektrického napájení
Čištění pračky
Čištění dávkovače pracích prostředků
Péče o dvířka a buben
Čištění čerpadla
Kontrola přítokové hadice na vodu

Opatření a rady, 17

Základní bezpečnostní pokyny
Likvidace

Popis pračky a zahájení pracího programu, 18-19

Ovládací panel
Kontrolky
Zahájení pracího programu

Prací programy, 20

Tabulka pracích programů
Každodenní rychlé cykly

Uživatelská nastavení, 21

Nastavení teploty
Nastavení rychlosti odstředování
Funkce

Prací prostředky a prádlo, 22

Dávkovač pracích prostředků
Příprava prádla
Oděvy vyžadující zvláštní péči
Systém automatického vyvážení náplně

Poruchy a způsob jejich odstranění, 23

Servisní služba, 24

Instalace

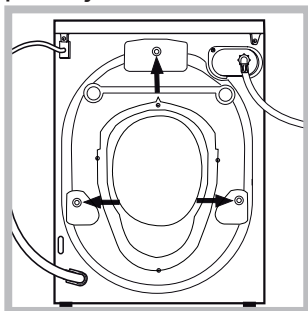
CZ ! Je důležité uschovat tento návod tak, abyste jej mohli kdykoli konzultovat. V případě prodeje, darování nebo přestěhování pračky se ujistěte, že zůstane uložen v blízkosti pračky, aby mohl posloužit novému majiteli při seznámení s její činností a s příslušnými upozorněními.

! Pozorně si přečtěte uvedené pokyny: obsahují důležité informace týkající se instalace, použití a bezpečnosti při práci.

Rozbalení a vyrovnaní do vodorovné polohy

Rozbalení

1. Rozbalte pračku.
2. Zkontrolujte, zda během přepravy nedošlo k jejímu poškození. V případě, že je poškozena, ji nezapojujte a obraťte se na prodejce.



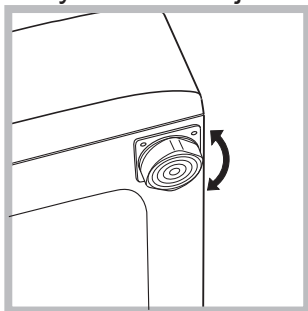
3. Odstraňte 3 šrouby chránící před poškozením během přepravy a gumovou podložku s příslušnou rozpěrkou, které se nacházejí v zadní části (viz obrázek).

4. Uzavřete otvory po šroubech plastovými krytkami z příslušenství.
5. Uschovejte všechny díly: v případě opětovné přepravy pračky je bude třeba namontovat zpět.

! Obaly nejsou hračky pro děti!

Vyrovnaní do vodorovné polohy

1. Pračku je třeba umístit na rovnou a pevnou podlahu, aniž by se opírala o stěnu, nábytek či něco jiného.

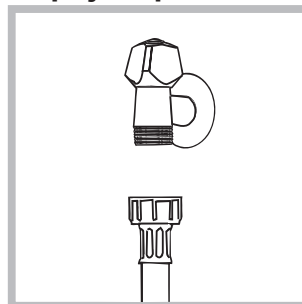


2. V případě, že podlaha není dokonale vodorovná, mohou být případné rozdíly vykompenzovány šroubováním předních nožek (viz obrázek); Úhel sklonu, naměřený na pracovní ploše, nesmí přesáhnout 2°.

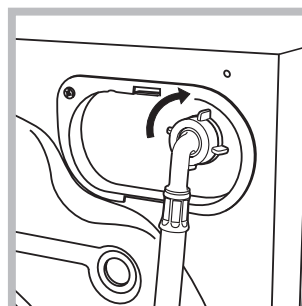
Dokonalé vyrovnaní do vodorovné polohy zabezpečí stabilitu zařízení a zamezí vzniku vibrací a hluku během činnosti. V případě instalace na podlahovou krytinu nebo na koberec nastavte nožky tak, aby pod pračkou zůstal dostatečný volný prostor pro ventilaci.

Připojení k elektrické a k vodovodní síti

Připojení přítokové hadice vody



1. Připojte přívodní hadici jejím zašroubováním ke kohoutku studené vody s hrdlem se závitem 3/4" (viz obrázek). Před připojením hadice nechte vodu odtékat, dokud nebude čirá.



2. Připojte přítokovou hadici k pračce prostřednictvím příslušné přípojky na vodu, umístěné vpravo nahoře (viz obrázek).

3. Dbejte na to, aby hadice nebyla příliš ohnutá ani stlačená.

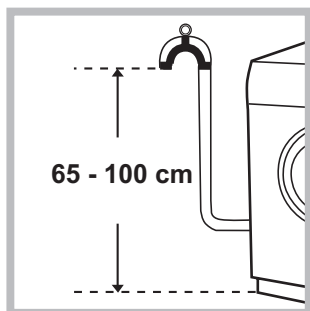
! Tlak v rozvodu vody se musí pohybovat v rozmezí hodnot uvedených v tabulce s technickými údaji (viz vedlejší strana).

! V případě, že délka přítokové hadice nebude dostatečná, obraťte se na specializovanou prodejnu nebo na autorizovaný technický personál.

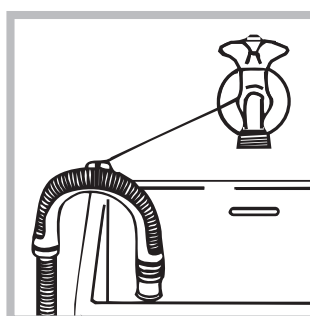
! Nikdy nepoužívejte již použité hadice.

! Používejte hadice z příslušenství zařízení.

Připojení vypouštěcí hadice



Připojte vypouštěcí hadici, aniž byste ji ohýbali, k odpadovému potrubí nebo k odpadu ve stěně, který se nachází od 65 do 100 cm nad zemí;



nebo ji uchyťte k okraji umývadla či vany a připevněte vodící držák z příslušenství ke kohoutu (viz obrázek). Volný konec vypouštěcí hadice nesmí zůstat ponořený do vody.

! Použití prodlužovacích hadic se nedoporučuje; je-li však nezbytné, prodlužovací hadice musí mít stejný průměr jako originální hadice a její délka nesmí přesáhnout 150 cm.

Připojení k elektrické síti

Před zasunutím zástrčky do zásuvky se ujistěte, že:

- Je zásuvka uzemněna a že vyhovuje normám;
- je zásuvka schopna snést maximální zátěž odpovídající jmenovitému příkonu zařízení, uvedenému v tabulce s technickými údaji (viz vedle);
- hodnota napájecího napětí odpovídá údajům uvedeným v tabulce s technickými údaji (viz vedle);
- je zásuvka kompatibilní se zástrčkou pračky. V opačném případě je třeba vyměnit zásuvku nebo zástrčku.

! Pračka nesmí být umístěna venku – pod širým nebem, a to ani v případě, že by se jednalo o místo chráněné před nepřízní počasí, protože je velmi nebezpečné vystavit ji působení deště a bouří.

! Po definitivní instalaci pračky musí zásuvka zůstat snadno přístupná.

! Nepoužívejte prodlužovací kabely a rozvodky.

! Kabel nesmí být ohnutý ani stlačený.



! Výměna kabelu musí být svěřena výhradně autorizovanému technickému personálu.

Upozornění! Výrobce neponese žádnou odpovědnost za následky nerespektování uvedených předpisů.

První prací cyklus

Po instalaci zařízení je třeba ještě předtím, než je použijete na praní prádla, provést jeden zkušební cyklus s pracím prostředkem a bez náplně prádla nastavením pracího programu 2.

Technické údaje

Model	EWSD 51051	
Rozměry	šířka	59,5 cm
	výška	85 cm
	hloubka	42,4 cm
Kapacita	od 1 do 5 kg	
Napájení	Viz štítek s technickými údaji, aplikovaný na zařízení.	
Připojení k rozvodu vody	maximální tlak 1 MPa (10 bar) minimální tlak 0.05 MPa (0.5 bar) kapacita bubnu 40 litrů	
Rychlost odstředování	až do 1000 otáček za minutu	
Kontrolní programy podle předpisy 1061/2010 a 1015/2010	program 15; Eco bavlnu 60°C. program 15; Eco bavlnu 40°C.	
	Toto zařízení odpovídá následujícím normám Evropské unie:	
	- 2004/108/CE (Elektromagnetická kompatibilita)	
	- 2006/95/CE (Nízké napětí)	
	- 2012/19/EU - WEEE	

Údržba a péče

CZ

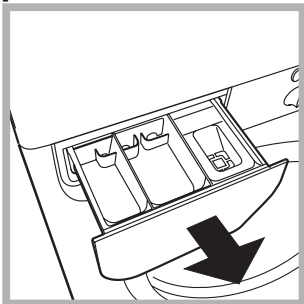
Uzavření přívodu vody a vypnutí elektrického napájení

- Po každém praní uzavřete přívod vody. Tímto způsobem dochází k omezení opotřebení pračky a ke snížení nebezpečí úniku vody.
- Před zahájením čištění pračky a během operací údržby vytáhněte zástrčku napájecího kabelu z elektrické zásuvky.

Čištění pračky

Vnější části a části z gumy se mohou čistit hadrem navlhčeným ve vlažné vodě a saponátu. Nepoužívejte rozpouštědla ani abrazivní látky.

Čištění dávkovače pracích prostředků



Vytáhněte dávkovač jeho nadzvednutím a vytažením směrem ven (viz obrázek). Umyjte jej pod proudem vody; tento druh vyčištění je třeba provádět pravidelně.

Péče o dvířka a buben

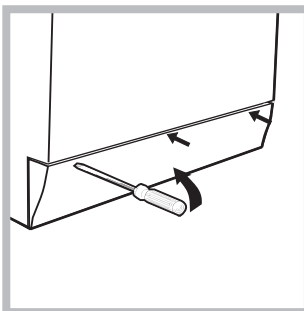
- Dvířka ponechte pokaždé pootevřená, aby se zabránilo tvorbě nepříjemných zápachů.

Čištění čerpadla

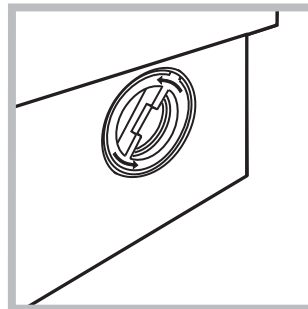
Součástí pračky je samočisticí čerpadlo, které nevyžaduje údržbu. Může se však stát, že se v jeho vstupní části, určené k jeho ochraně a nacházející se v jeho spodní části, zachytí drobné předměty (mince, knoflíky).

! Ujistěte se, že byl prací cyklus ukončen, a vytáhněte zástrčku ze zásuvky.

Přístup ke vstupní části čerpadla:



1. pomocí šroubováku odstraňte krycí panel nacházející se v přední části pračky (viz obrázek);



2. odšroubujte víko jeho otáčením proti směru hodinových ručiček (viz obrázek): vytečení malého množství vody je zcela běžným jevem;

3. dokonale vyčistěte vnitřek;
4. zašroubujte zpět víko;
5. namontujte zpět panel, přičemž se před jeho přisunutím k zařízení ujistěte, že došlo ke správnému zachycení háčků do příslušných podélných otvorů.

Kontrola přítokové hadice na vodu

Stav přítokové hadice je třeba kontrolovat alespoň jednou ročně. Jsou-li na ní viditelné praskliny nebo trhliny, je třeba ji vyměnit: silný tlak působící na hadici během pracího cyklu by mohl způsobit její náhlé roztržení.

! Nikdy nepoužívejte již použité hadice.

! Pračka byla navržena a vyrobena v souladu s platnými mezinárodními bezpečnostními předpisy. Tato upozornění jsou uváděna z bezpečnostních důvodů a je třeba si je pozorně přečíst.

Základní bezpečnostní pokyny

- Toto zařízení bylo navrženo výhradně pro použití v domácnosti.
- Toto zařízení mohou používat děti od 8 let a osoby se sníženými fyzickými, sensorickými nebo duševními schopnostmi nebo osoby s nedostatečnými zkušenostmi a znalostmi, když se nacházejí pod náležitým dohledem nebo když byly náležitě vyškoleny ohledně bezpečného použití zařízení a uvědomují si související nebezpečí. Děti si nesmí hrát se zařízením. Děti nesmí provádět operace údržby a čištění bez dohledu.
- Nedotýkejte se zařízení bosí nebo v případě, že máte mokré ruce či nohy.
- Nevytahujte zástrčku ze zásuvky tahem za kabel, ale uchopením za zástrčku.
- Neotvírejte dávkovač pracích prostředků během činnosti zařízení.
- Nedotýkejte se odčerpávané vody, protože může mít velmi vysokou teplotu.
- Nepokoušejte se o násilné otevření dvířek: mohlo by dojít k poškození bezpečnostního uzávěru, který zabraňuje náhodnému otevření.
- Při výskytu poruchy se v žádném případě nepokoušejte o opravu vnitřních částí zařízení.
- Vždy mějte pod kontrolou děti a zabraňte tomu, aby se přibližovaly k zařízení během pracovního cyklu.
- Během pracovního cyklu mají dvířka tendenci ohřát se.
- V případě potřeby přemístujte pračku ve dvou nebo ve třech a věnujte celé operaci maximální pozornost. Nikdy se nepokoušejte zařízení přemísťovat sami, je totiž velmi těžké.
- Před zahájením vkládání prádla zkontrolujte, zda je buben prázdný.

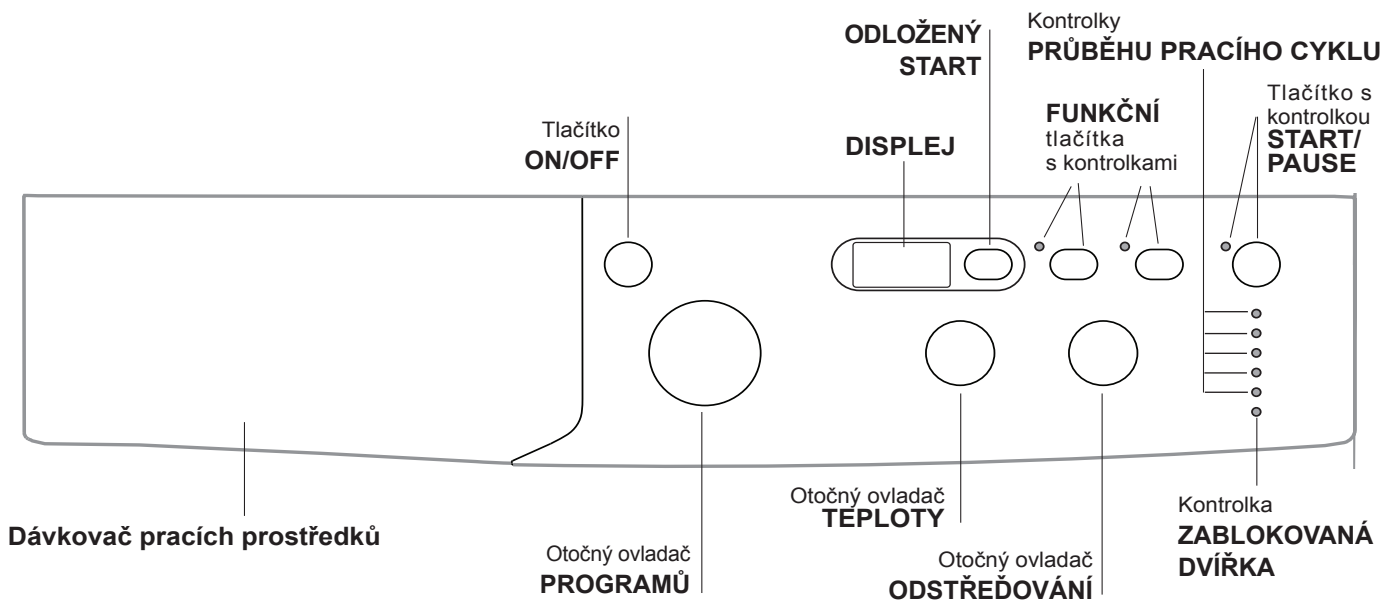
Likvidace

- Likvidace obalových materiálů: při jejich odstranění postupujte v souladu s místními předpisy a dbejte na možnou recyklaci.
- Evropská směrnice 2012/19/EU - WEEE o odpadních elektrických a elektronických zařízeních stanovuje, že staré domácí elektrické spotřebiče nesmí být odkládány do běžného netříděného domovního odpadu. Staré spotřebiče musí být odevzdány do odděleného sběru, a to za účelem recyklace a optimálního využití materiálů, které obsahují, a z důvodu předcházení negativním dopadům na lidské zdraví a životní prostředí. Symbol "přeškrtnuté popelnice" na výrobku vás

upozorňuje na povinnost odevzdat zařízení po skončení jeho životnosti do odděleného sběru. Spotřebitelé by měli kontaktovat příslušné místní úřady nebo svého prodejce ohledně informací týkajících se správné likvidace starého zařízení.

Popis pračky a zahájení pracího programu

Ovládací panel



Dávkovač pracích prostředků: slouží k dávkování pracích prostředků a přídatných prostředků (viz „Prací prostředky a prádlo“).

Tlačítko **ON/OFF**: slouží k zapnutí a vypnutí pračky.


Otočný ovladač **PROGRAMŮ**: pro nastavení pracích programů. Během pracího programu zůstane ve stejné poloze.

FUNKČNÍ tlačítka s kontrolkami: slouží k volbě jednotlivých dostupných funkcí. Kontrolka zvolené funkce zůstane rozsvícena.

Otočný ovladač **ODSTŘEĐOVÁNÍ**: slouží k nastavení odstřeďování nebo k jeho vyloučení (viz „Uživatelská nastavení“).

Otočný ovladač **TEPLOTY**: slouží k nastavení teploty praní nebo praní ve studené vodě (viz „Uživatelská nastavení“).


DISPLEJ: slouží k zobrazení doby trvání různých programů, které jsou k dispozici, a po zahájení cyklu i zbývající doby ukončení probíhajícího programu; v případě nastavení **ODLOŽENÝ START** bude zobrazena doba chybějící do zahájení zvoleného programu.

ODLOŽENÝ START : stiskněte za účelem nastavení odloženého startu zvoleného programu. Doba, o kterou bude start odložen, bude zobrazena na displeji.

Kontrolky **PRŮBĚHU PRACÍHO CYKLU**: slouží ke kontrole průběhu pracího programu. Rozsvícená kontrolka poukazuje na probíhající fázi.

Kontrolka **ZABLOKOVANÁ DVÍŘKA**: informuje o tom, zda je možné otevřít dvířka (viz *vedlejší strana*).

Tlačítko s kontrolkou **START/PAUZA**: Slouží ke spuštění nebo dočasnému přerušení programů.

POZN.: Stisknutí tohoto tlačítka slouží k přerušení probíhajícího praní; příslušná kontrolka bude blikat oranžovým světlem, zatímco kontrolka probíhající fáze zůstane rozsvícena stálým světlem. Když bude kontrolka **ZABLOKOVANÁ DVÍŘKA**  zhasnuta, bude možné otevřít dvířka (vyčkejte přibližně 3 minuty).

Za účelem opětovného zahájení praní z bodu, ve kterém bylo přerušeno, znovu stiskněte toto tlačítko.

Pohotovostní režim

Za účelem shody s novými předpisy souvisejícími s energetickou úsporou je tato pračka vybavena systémem automatického vypnutí (přechodu do pohotovostního režimu – standby), který je aktivován po uplynutí 30 minut, když se pračka nepoužívá. Krátce stiskněte tlačítko **ON/OFF** a vyčkejte na obnovení činnosti zařízení.

Kontrolky

Kontrolky jsou zdrojem důležitých informací. Informují nás o následujících skutečnostech:

Kontrolka aktuální fáze pracího programu:

Po zvolení a zahájení požadovaného pracího cyklu dojde k postupnému rozsvícení kontrolky informující o jeho průběhu.

Praní	● 
Máchání	● 
Odstředování	● 
Odčerpání vody	● 
Ukončení praní	● END

Funkční tlačítka a příslušné kontrolky

Po zvolení konkrétní funkce dojde k rozsvícení příslušné kontrolky.


V případě, že zvolená funkce není kompatibilní s nastaveným pracím programem, příslušná kontrolka začne blikat a funkce nebude aktivována.

V případě, že zvolená funkce není kompatibilní s jinou předem zvolenou funkcí, kontrolka první funkce bude blikat a bude aktivována pouze druhá, přičemž kontrolka zvolené funkce se rozsvítí stálým světlem.

Kontrolka zablokovaných dvířek

Rozsvícení této kontrolky poukazuje na to, že dvířka jsou zajištěna kvůli zamezení náhodnému otevření; aby se zabránilo poškození dvířek, před jejich otevřením je třeba vyčkat, dokud uvedená kontrolka nezhasne; (vyčkejte přibližně 3 minuty). Za účelem otevření dvířek v průběhu pracího cyklu stiskněte tlačítko START/PAUSE; když bude kontrolka ZABLOKOVANÁ DVÍŘKA zhasnutá, bude možné otevřít dvířka.

Zahájení pracího programu

1. Zapněte pračku stisknutím tlačítka ON/OFF. Všechny kontrolky se rozsvítí na několik sekund, poté se zhasnou a bude blikat kontrolka START/PAUSE.
2. Naplňte pračku a zavřete dvířka.
3. Otočným ovladačem PROGRAMŮ nastavte požadovaný prací program.
4. Nastavte teplotu praní (viz „Uživatelská nastavení“).
5. Nastavte rychlost odstředování (viz „Uživatelská nastavení“).
6. Nadávkujte prací prostředek a přídatné prostředky (viz „Prací prostředky a prádlo“).
7. Zvolte požadované funkce.
8. Zahajte prací program stisknutím tlačítka START/PAUSE a příslušná kontrolka zůstane rozsvícena stálým světlem zelené barvy. Zrušení nastaveného pracího cyklu se provádí přerušením činnosti zařízení stisknutím tlačítka START/PATA a volbou nového cyklu.
9. Po ukončení pracího programu se rozsvítí kontrolka END. Po zhasnutí kontrolky ZABLOKOVANÁ DVÍŘKA  bude možné otevřít dvířka (vyčkejte přibližně 3 minuty). Vytáhněte prádlo a nechte dvířka pootevřená, aby bylo umožněno vysušení bubny. Vypněte pračku stisknutím tlačítka ON/OFF.

Prací programy

CZ

Tabulka pracích programů

Programy	Popis programu	Max. teplota (°C)	Max. rychlost (otáčky za minu-tu)	Prací prostředky			Max. náplň (kg)	Zbytková vlhkost %	Spotřeba energie kWh	Celkové množství vody lit	Cycle duration
				Předpraní	Praní	Aviváz					
EVERYDAY FAST											
1	Smíšené Barevné 59'	40°	1000	-	●	●	5	-	-	-	59'
2	Bavlna 59'	60°	1000	-	●	●	5	-	-	-	59'
3	Bavlna 45'	40°	1000	-	●	●	2,5	-	-	-	45'
4	Syntetika 59' (3)	40° (Max. 60°)	1000	-	●	●	3	44	0.72	36	59'
5	Smíšené 30'	30°	800	-	●	●	3	71	0.16	27	30'
6	Expres 20'	20°	800	-	●	●	1,5	-	-	-	20'
Special & Partial											
7	Sportovní oděv	40°	600	-	●	●	2,5	-	-	-	**
8	Sportovní obuv	30°	600	-	●	●	Max. 1 páry.	-	-	-	**
9	Dětské Prádlo	40°	800	-	●	●	2	-	-	-	**
10	Máchání	-	1000	-	-	●	5	-	-	-	**
11	Odstrěďování + Odčerpání vody	-	1000	-	-	-	5	-	-	-	**
11	Samostatné odčerpání vody *	-		-	-	-	5	-	-	-	**
Dedicated											
12	Přikrývky: pro prádlo plněné husím peřím.	30°	1000	-	●	●	1	-	-	-	**
13	Vlna: pro vlnu, kašmír atd.	40°	800	-	●	●	1	-	-	-	**
14	Hedvábí/Záclony: pro prádlo z hedvábí, viskózy, spodní prádlo.	30°	0	-	●	●	1	-	-	-	**
15	Eco bavlnu 60°C (1): silně znečištěné bílé a barevné prádlo z odolných tkanin.	60°	1000	-	●	●	5	62	0,92	47,5	220'
15	Eco bavlnu 40°C (2): silně znečištěné bílé a barevné choulostivé prádlo.	40°	1000	-	●	●	5	62	0,66	66	215'
16	Bavlna + předpraní: mimořádně znečištěné bílé prádlo.	90°	1000	●	●	●	5	-	-	-	**

* V případě volby programu 11 a vyloučení odstředování zařízení provede pouze odčerpání vody.

** Je možné kontrolovat dobu trvání pracích programů na displeji.

Doba trvání cyklu uvedená na displeji nebo v návodu představuje odhad vypočítaný na základě standardních podmínek. Skutečná doba se může měnit v závislosti na četných faktorech, jako je např. teplota a tlak vody na vstupu, teplota prostředí, množství pracího prostředku, množství a druh náplně, vyvážení náplně a zvolené volitelné funkce.

1) Kontrolní program podle předpisů 1061/2010: nastavte program 15 s teplotou 60°C.

Tento cyklus je vhodný pro praní běžně znečištěné bavlny a jedná se o nejúčinnější cyklus z hlediska kombinované spotřeby energie a vody určený pro prádlo, které lze prát při teplotě do 60 °C. Skutečná teplota praní se může lišit od uvedené.

2) Kontrolní program podle předpisů 1061/2010: nastavte program 15 s teplotou 40°C.

Tento cyklus je vhodný pro praní běžně znečištěné bavlny a jedná se o nejúčinnější cyklus z hlediska kombinované spotřeby energie a vody určený pro prádlo, které lze prát při teplotě do 40°C. Skutečná teplota praní se může lišit od uvedené.

Pro všechny Kontrolní ústavy:

2) Dlouhý program na praní bavlny: nastavte program 15 s teplotou 40°C.

3) Dlouhý program pro syntetiku: nastavte program 4 a poté zvolte možnost „Extra Wash“

Každodenní rychlé cykly

Kompletní sada rychlých programů pro praní nejběžnějších tkanin i při plné náplni a pro odstranění nejběžnějšího každodenního znečištění v průběhu méně než 1 hodiny.

Smíšené Barevné 59': pro společné praní smíšeného a barevného prádla.

Bavlna 59': cyklus navržený pro praní bavlněného, převážně bílého prádla. Lze jej používat i s pracím práškem.

Bavlna 45': krátký cyklus pro praní choulostivého bavlněného prádla.

Syntetika 59': specifický cyklus pro praní oblečení ze syntetických tkanin. U odolnějších nečistot lze zvýšit teplotu až do 60° a použít také prací prášek.

Smíšené 30': krátký cyklus pro společné praní bílého i barevného bavlněného i syntetického prádla.

Expres 20': program, který osvěží vaše prádlo a provoní jej v průběhu pouhých 20 minut.

Nastavení teploty

Otáčením otočného ovladače TEPLoty se nastavuje teplota praní (viz *Tabulka programů*).

Teplota může být postupně snižována až po praní ve studené vodě (☼).

Zařízení automaticky zabrání nastavení vyšší teploty, než je maximální teplota pro každý prací program.

! Výjimka: při volbě programu 4 bude možné zvýšit teplotu až na 60°C.

Nastavení odstředování

Otáčením otočného ovladače ODSTŘEDOVÁNÍ se nastavuje rychlost odstředování zvoleného pracího programu.

Maximální rychlosti pro jednotlivé prací programy jsou:

Programy	Maximální rychlost
Bavlna	1000 otáček za minutu
Syntetika	1000 otáček za minutu
Vlna	800 otáček za minutu
Hedvábí	pouze odčerpání vody

Rychlost odstředování může být snížena nebo může být odstředování vyloučeno volbou symbolu (⊘).

Zařízení automaticky zabrání odstředování vyšší rychlostí, než je maximální rychlost pro každý prací program.

Funkce

Jednotlivé funkce, kterými pračka disponuje, umožňují dosáhnout požadovaného stupně čistoty a bělosti praného prádla.

Způsob aktivace jednotlivých funkcí:

1. stiskněte příslušné tlačítko požadované funkce;
2. rozsvícení příslušné kontrolky signalizuje, že došlo k aktivaci zvolené funkce.

Poznámka:

- V případě, že zvolená funkce není kompatibilní s nastaveným pracím programem, příslušná kontrolka začne blikat a funkce nebude aktivována.
- V případě, že zvolená funkce není kompatibilní s jinou předem zvolenou funkcí, kontrolka první funkce bude blikat a bude aktivována pouze druhá, přičemž kontrolka zvolené funkce se rozsvítí stálým světlem.

Odložený start

Pro nastavení odloženého startu zvoleného programu stiskněte příslušné tlačítko až do dosažení požadované doby odložení. Po zvolení této volitelné funkce se zobrazí symbol . Zrušení odloženého startu se provádí stisknutím tlačítka až do zobrazení nápisu OFF.

Extra Wash [★]

Pro velmi znečištěné prádlo aktivujte možnost Extra Wash [★] v případech, kdy je kompatibilní. Po stisknutí tlačítka této možnosti cyklus automaticky přizpůsobí všechny parametry praní a přejde na delší cyklus. Tato možnost ponechá nezměněnou teplotu, zatímco odstředování bude automaticky nastaveno na maximální úroveň. Uživatel může vždy změnit nastavení odstředování na požadovanou hodnotu.

Energy Saver [⚡]

Možnost Energy Saver [⚡] vám umožňuje prát bavlněné a syntetické prádlo s ušetřením energie, tedy s pomocí životního prostředí. Úspora vzniká tím, že se praní provádí zastudena, ale intenzivnějším mechanickým působením a optimalizovaným použitím vody je i navzdory nízké teplotě dosaženo požadovaného výsledku. Tato možnost je vhodná pro praní mírně znečištěného prádla. Doporučuje se použití tekutého pracího prostředku.

Prací prostředky a prádlo

CZ

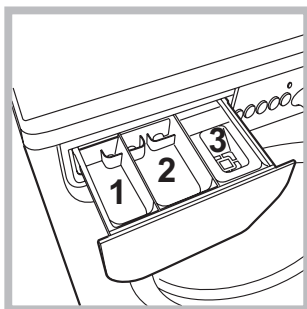
Dávkovač pracích prostředků

Dobry výsledek praní závisí také na správném dávkování pracího prostředku: použití jeho nadměrného množství snižuje efektivitu praní a napomáhá tvorbě vodního kamene na vnitřních částech pračky a zvyšuje znečištění životního prostředí.

! Nepoužívejte prací prostředky určené pro ruční praní, protože způsobují tvorbu nadměrného množství pěny.

! Pro předpírku a praní při teplotě vyšší než 60 °C použijte práškové prací prostředky pro bílé bavlněné prádlo.

! Dodržujte pokyny uvedené na obalu pracího prostředku.



Při vytahování dávkovače pracích prostředků a při jeho plnění pracími nebo přídatnými prostředky postupujte následovně.

příhrádka 1: Prací prostředek (práškový) pro předpírku
příhrádka 2: Prací prostředek (v prášku nebo tekutý)

Tekutý prací prostředek se nalévá teprve těsně před zahájením pracího cyklu.

příhrádka 3: Přídatné prostředky (aviváž atd.)

Aviváž nesmí vytékat z mřížky.

Poznámka: V případě použití „pracích tablet“ se doporučuje vždy dodržovat pokyny výrobce.

Příprava prádla

- Roztřídte prádlo podle:
 - druhu tkaniny / symbolu na visačce.
 - barvy: oddělte barevné prádlo od bílého.
- Vyprázdněte kapsy a zkontrolujte knoflíky.
- Nepřekračujte hodnoty povolené náplně, uvedené v „*Tabulka programů*“, vztahující se na hmotnost suchého prádla.

Kolik váží prádlo?

- 1 prostěradlo 400-500 g
 - 1 povlak na polštář 150-200 g
 - 1 ubrus 400-500 g
 - 1 župan 900-1.200 g
 - 1 ručník 150-250 g
- Speciální programy

Oděvy vyžadující zvláštní péči

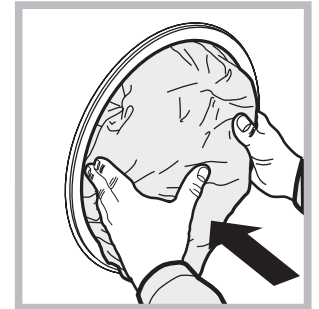
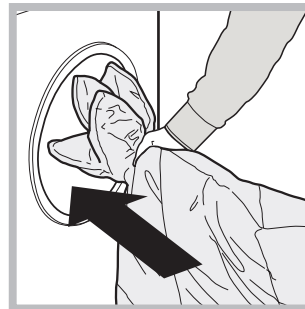
Sportovní oděv: cyklus vhodný pro společné praní sportovního prádla, včetně ručníku z tělocvičny, s ohledem na vlákna (vycházejte z pokynů uvedených na visačkách na oblečení).


Sportovní obuv: cyklus navržený pro bezpečné praní až do 1 páru sportovní obuvi současně.

Před vložením obuvi do koše se doporučuje zavázat tkaničky.

Dětské Prádlo: yklus, který byl navržen pro typické znečištění dětského oblečení i pro účinné odstranění případných stop zbyvajících pracího prostředku.

Příkrývky: při praní prádla plněného husím peřím, jako jsou například samostatné peřiny (nepřesahující hmotnost 1 kg), polštáře, větrovky, používejte příslušný program **12**. Doporučujeme vkládat peřiny do bubnu tak, že se jejich oba okraje složí směrem dovnitř (viz obrázky), a nepřekročit přitom ¼ celkového objemu samotného bubnu. Za účelem optimálního praní se doporučuje použít tekutý prací prostředek a dávkovat jej prostřednictvím dávkovače pracích prostředků.



Vlna: S programem **13** je možné prát v pračce všechny druhy vlněného prádla, také ty, které jsou označeny visačkou „prát pouze v ruce“ . Pro dosažení optimálních výsledků používejte specifický prací prostředek a nepřekračujte 1 kg prádla.

Hedvábí: použijte příslušný program **14** pro praní všeho prádla z hedvábí. Doporučujeme použití pracího prostředku pro choulostivé prádlo.

Záclony: přehnout je a uložit dovnitř povlaku na polštář anebo do sáčku ze síťoviny. Použijte program **14**.

Systém automatického vyvážení náplně

Před každým odstředováním bubne provede otáčení rychlostí lehce převyšující rychlost praní, aby se odstranily vibrace a aby se náplň rovnoměrně rozložila. V případě, že po několikanásobných pokusech o vyvážení prádlo ještě nebude správně vyváženo, zařízení provede odstředování nižší rychlostí, než je přednastavená rychlost. Za přítomnosti nadměrného nevyvážení pračka provede namísto odstředování vyvážení. Za účelem dosažení rovnoměrnějšího rozložení náplně a jejího správného vyvážení se doporučuje mchat velké a malé kusy prádla.

Může se stát, že pračka nebude fungovat. Dříve, než zatelefonujete na Servisní službu (viz „*Servisní služba*“), zkontrolujte, zda se nejedná o problém, který lze snadno vyřešit s pomocí následujícího seznamu.

Poruchy:

Možné příčiny / Způsob jejich odstranění:

Pračku nelze zapnout.

- Zástrčka není zasunuta v zásuvce nebo není zasunuta natolik, aby došlo ke spojení kontaktů.
- V celém domě je vypnutý proud.

Nedochází k zahájení pracího cyklu.

- Nejsou řádně zavřená dvířka.
- Nebylo stisknuto tlačítko ON/OFF.
- Nebylo stisknuto tlačítko START/PAUSE.
- Nebyl otevřen kohout přívodu vody.
- Byl nastaven odložený start (viz „*Uživatelská nastavení*“).

Pračka nenapouští vodu (Na displeji se zobrazí blikající nápis „H2O“).

- Přívodní hadice není připojena k vodovodnímu kohoutu.
- Hadice je příliš ohnutá.
- Nebyl otevřen kohout přívodu vody.
- V celém domě je uzavřený přívod vody.
- V rozvodu vody není dostatečný tlak.
- Nebylo stisknuto tlačítko START/PAUSE.

Dochází k nepřetržitému napouštění a odčerpávání vody.

- Vypouštěcí hadice se nachází mimo určené rozmezí od 65 do 100 cm nad zemí (viz „*Instalace*“).
 - Koncová část vypouštěcí hadice je ponořena ve vodě (viz „*Instalace*“).
 - Odpad ve stěně není vybaven odvzdušňovacím otvorem.
- Když ani po uvedených kontrolách nedojde k odstranění problému, uzavřete přívod vody, vypněte pračku a přivolejte Servisní službu. V případě, že se byt nachází na jednom z nejvyšších poschodí, je možné, že dochází k sifonovému efektu, jehož následkem pračka nepřetržitě napouští a odčerpává vodu. Pro odstranění uvedeného efektu jsou v prodeji běžně dostupné speciální protisifonové ventily.

Nedochází k vyčerpání vody nebo k odstředování.

- Odčerpání vody netvoří součást nastaveného programu: u některých programů je třeba jej aktivovat manuálně.
- Vypouštěcí hadice je ohnutá (viz „*Instalace*“).
- Odpadové potrubí je ucpáno.

Během odstředování je možné pozorovat silné vibrace pračky.

- Během instalace nebyl buben odjištěn předepsaným způsobem (viz „*Instalace*“).
- Pračka není dokonale vyrovnaná do vodorovné polohy (viz „*Instalace*“).
- Pračka je stlačena mezi nábytkem a stěnou (viz „*Instalace*“).

Dochází k úniku vody z pračky.

- Přítoková hadice není správně zašroubována (viz „*Instalace*“).
- Dávkovač pracích prostředků je ucpán (způsob jeho vyčištění je uveden v části „*Údržba a péče*“).
- Vypouštěcí hadice není upevněna předepsaným způsobem (viz „*Instalace*“).

Kontrolky „volitelné funkce“ a kontrolka „START/PAUSE“ blikají a jedna z kontrolkek „probíhající fáze“ a „zablokovaná dvířka“ se rozsvítí stálým světlem.

- Vypněte zařízení a vytáhněte zástrčku ze zásuvky, vyčkejte přibližně 1 minutu a opětovně jej zapněte.
- Když porucha přetrvává, obraťte se na Servisní službu.

Dochází k tvorbě nadměrného množství pěny.

- Použitý prací prostředek není vhodný pro použití v automatické pračce (musí obsahovat označení „pro praní v pračce“, „pro ruční praní nebo pro praní v pračce“ nebo podobné označení).
- Bylo použito jeho nadměrné množství.

Servisní služba

CZ

Před přivoláním Servisní služby:

- Zkontrolujte, zda nejste schopni poruchu odstranit sami (viz „Poruchy a způsob jejich odstranění“);
- Opětovně uveďte do chodu prací program, abyste ověřili, zda byla porucha odstraněna;
- V opačném případě se obraťte na Centrum servisní služby na telefonním čísle uvedeném na záručním listu.

! Nikdy se neobracejte s žádostí o pomoc na techniky, kteří nejsou k výkonu této činnosti oprávněni.

Při hlášení poruchy uveďte:

- druh poruchy;
- model zařízení (Mod.);
- výrobní číslo (S/N).

Tyto informace jsou uvedeny na štítku aplikovaném na zadní části pračky a v její přední části, dostupné po otevření dvířek.

NAŘÍZENÍ KOMISE V PŘENESENÉ PRAVOMOCI (EU) č. 1061/2010	
Značka	INDESIT
Model	EWSD 51051 W EU
Jmenovitá kapacita bavlněné látky v kg	5
Třída energetické účinnosti na stupnici A+++ (nejnižší spotřeba) až G (vysoká spotřeba)	A+
Roční spotřeba energie v kWh ¹⁾	166
Spotřeba energie standardního programu pro bavlnu pro praní při 60 °C s celou náplní v kWh ²⁾	0.92
Spotřeba energie standardního programu pro bavlnu pro praní při 60 °C s poloviční náplní v kWh ²⁾	0.635
Spotřeba energie standardního programu pro bavlnu pro praní při 40 °C s poloviční náplní v kWh ²⁾	0.54
Vážená spotřeba energie ve vypnutém stavu ve W	0.5
Vážená spotřeba energie v režimu ponechání v zapnutém stavu ve W	8
Roční spotřeba vody v litrech ³⁾	7550
Třída účinnosti sušení odstředováním na stupnici od G (nejmenší účinnost) do A (nejvyšší účinnost)	C
Maximální otáčky při odstředování ⁴⁾	1000
Zbytkový obsah vlhkosti v % ⁵⁾	62.0%
Trvání „standardního programu pro bavlnu pro praní při 60 °C“ s celou náplní v minutách.	220
Trvání „standardního programu pro bavlnu pro praní při 60 °C“ s poloviční náplní v minutách.	165
Trvání „standardního programu pro bavlnu pro praní při 40 °C“ s poloviční náplní v minutách.	160
Trvání režimu ponechání v zapnutém stavu v minutách	30
Emise hluku v dB(A) re 1 pW během praní ⁶⁾	60
Emise hluku v dB(A) re 1 pW během odstředování ⁶⁾	80
Vestavný spotřebič	

¹⁾ "Standardní program pro bavlnu pro praní při 60 °C" s celou náplní a poloviční náplní a standardní program pro bavlnu pro praní při 40 °C s poloviční náplní jsou standardní prací programy, na které se vztahují informace uvedené na energetickém štítku a v informačním listu. Tyto programy jsou vhodné pro praní běžně znečištěného bavlněného prádla a jedná se o nejúčinnější programy z hlediska kombinované spotřeby energie a vody.

²⁾ Na základě 220 standardních pracích cyklů s programy pro bavlnu pro praní při 60 °C a 40 °C s celou a poloviční náplní a spotřeba v režimech s nízkou spotřebou energie. Skutečná spotřeba energie bude záviset na tom, jak je spotřebič používán.

³⁾ Na základě 220 standardních pracích cyklů s programy pro bavlnu pro praní při 60 °C a 40 °C s celou a poloviční náplní. Skutečná spotřeba vody bude záviset na tom, jak je spotřebič používán.

⁴⁾ U standardního programu pro bavlnu pro praní při 60 °C s celou náplní nebo u standardního programu pro bavlnu pro praní při 40 °C s poloviční náplní podle toho, která hodnota je menší.

⁵⁾ U standardního programu pro bavlnu pro praní při 60 °C s celou náplní nebo u standardního programu pro bavlnu pro praní při 40 °C s poloviční náplní podle toho, která hodnota je větší.

⁶⁾ Během fází praní a odstředování u standardního programu pro bavlnu pro praní při 60 °C s celou náplní.

SK

Slovensky

EWSD 51051

Obsah

Inštalácia, 26-27

Rozbalenie a vyrovnanie do vodorovnej polohy
Pripojenie k elektrickej a k vodovodnej sieti
Prvý prací cyklus
Technické údaje

Údržba a starostlivosť, 28

Uzavretie prívodu vody a vypnutie elektrického napájania
Čistenie práčky
Čistenie dávkovača pracích prostriedkov
Starostlivosť o dvierka a bubon
Čistenie čerpadla
Skontrolujte prítokovú hadicu vodu

Opatrenia a rady, 29

Základné bezpečnostné pokyny
Likvidácia

Popis práčky a zahájenie pracieho programu, 30-31

Ovládací panel
Kontrolky
Zahájenie pracieho programu

Pracie programy, 32

Tabuľka pracích programov
Každodenné rýchle cykly

Užívateľské nastavenia, 33

Nastavenie teploty
Nastavenie odstreďovania
Funkcie

Pracie prostriedky a prádlo, 34

Dávkovač pracích prostriedkov
Príprava prádla
Prádlo vyžadujúce osobitnú starostlivosť
Systém automatického vyváženia náplne

Poruchy a spôsob ich odstránenia, 35

Servisná služba, 36

Inštalácia

SK

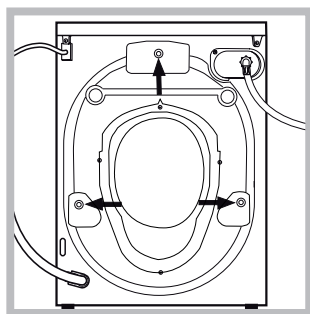
! Je veľmi dôležité uschovať tento návod kvôli prípadnému ďalšiemu použitiu. V prípade predaja, darovania alebo presťahovania práčky sa uistite, že zostane uložený v jej blízkosti, aby mohol poslúžiť novému majiteľovi pri oboznámení sa s činnosťou a s príslušnými upozoreniami.

! Pozorne si prečítajte uvedené pokyny: obsahujú dôležité informácie, týkajúce sa inštalácie, použitia a bezpečnosti pri práci.

Rozbalenie a vyrovnanie do vodorovnej polohy

Rozbalenie

1. Rozbaľte práčku.
2. Skontrolujte, či počas prepravy nedošlo k jej poškodeniu. V prípade, že je poškodená, nezapájajte ju a obráťte sa na predajcu.



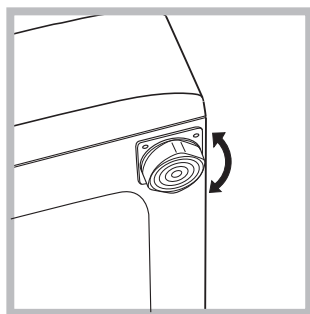
3. Odstráňte 3 skrutky slúžiace na ochranu počas prepravy a gumovú podložku s príslušným dištančným členom, ktoré sa nachádzajú v zadnej časti (vid' obrázok).

4. Uzatvorte otvory po skrutkách plastovými krytkami z príslušenstva.
5. Uschovajte všetky diely: v prípade opätovnej prepravy práčky ich bude potrebné opätovne namontovať.

! Obaly nie sú hračky pre deti!

Vyrovnanie do vodorovnej polohy

1. Práčku je potrebné umiestniť na rovnú a pevnú podlahu tak, aby nebola opretá o stenu, nábytok alebo o niečo iné.

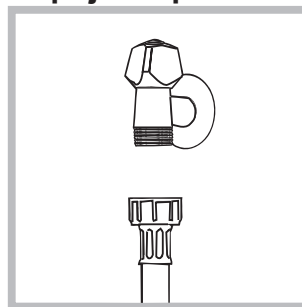


2. V prípade, že podlaha nie je dokonale vodorovná, môžu byť prípadné rozdiely vykompenzované skrútkovaním predných nožičiek (vid' obrázok); Uhol sklonu, nameraný na pracovnej ploche, nesmie presiahnuť 2°.

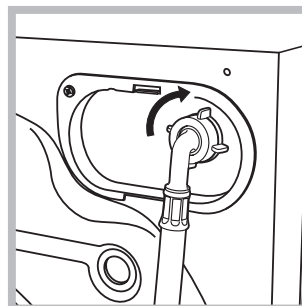
Dokonalé vyrovnanie do vodorovnej polohy zabezpečí stabilitu zariadenia a zamedzí vzniku vibrácií a hluku počas činnosti. V prípade inštalácie na podlahovú krytinu alebo na koberec, nastavte nožičky tak, aby pod práčkou zostal dostatočný voľný priestor na ventiláciu.

Pripojenie k elektrickej a k vodovodnej sieti

Pripojenie prítokovej hadice vody



1. Pripojte prívodnú hadicu jej zaskrutkovaním ku kohútiku so studenou vodou s hrdlom so závitom 3/4" (vid' obrázok). Pred pripojením hadice nechajte vodu odtiecť, až kým nebude číra.



2. Pripojte prítokovú hadicu k práčke, jej zaskrutkovaním k príslušnej prípojke na vodu, umiestnenej vpravo hore (vid' obrázok).

3. Zabezpečte, aby hadica nebola príliš ohnutá alebo stlačená.

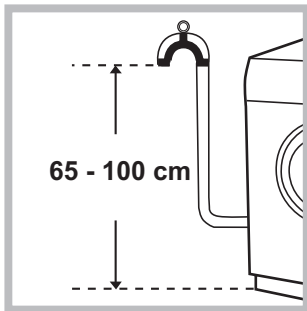
! Tlak v rozvode vody sa musí pohybovať v rozmedzí hodnôt uvedených v tabuľke s technickými údajmi (vid' vedľajšia strana).

! V prípade, že dĺžka prítokovej hadice nebude dostatočná, obráťte sa na špecializovanú predajňu alebo na autorizovaný technický personál.

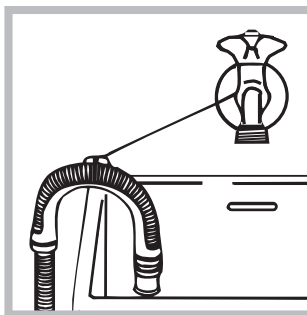
! Nikdy nepoužívajte už použité hadice.

! Používajte hadice z príslušenstva zariadenia.

Pripojenie vypúšťacej hadice



Pripojte vypúšťaciu hadicu, bez toho aby ste ju ohli, k odpadovému potrubiu alebo k odpadu v stene, ktorý sa nachádza od 65 do 100 cm nad zemou;



alebo ju uchyťte k okraju umývadla či vane, a pripevnite vodiaci držiak z príslušenstva ku kohútu (vid' obrázok). Voľný koniec vypúšťacej hadice nesmie zostať ponořený do vody.

! Použitie predlžovacích hadíc sa neodporúča; ak je však nevyhnutné, predlžovacia hadica musí mať rovnaký priemer ako originálna hadica a jej dĺžka nesmie presiahnuť 150 cm.

Pripojenie k elektrickej sieti

Pred zasunutím zástrčky do zásuvky sa uistite, že:

- zásuvka je uzemnená a že vyhovuje normám;
- zásuvka je schopná uniesť maximálnu záťaž odpovedajúcu menovitému príkonu zariadenia, uvedenému v tabuľke s technickými údajmi (vid' vedľa);
- hodnota napájacieho napätia odpovedá údajom uvedeným v tabuľke s technickými údajmi (vid' vedľa);
- zásuvka je kompatibilná so zástrčkou práčky. V opačnom prípade je potrebné vymeniť zásuvku alebo zástrčku.

! Práčka nesmie byť umiestnená vonku – pod holým nebom, a to ani v prípade, keby sa jednalo o miesto chránené pred nepriazňou počasia, pretože je veľmi nebezpečné vystaviť ju dažďu a búrkam.

! Po ukončení inštalácie musí zásuvka zostať ľahko prístupná.

! Nepoužívajte predlžovacie káble a rozvodky.

! Kábel nesmie byť ohnutý alebo pritlačený.


! Výmena kábla musí byť zverená výhradne autorizovanému technickému personálu.

Upozornenie! Výrobca neponesie žiadnu zodpovednosť za následky spôsobené nerešpektovaním týchto pokynov.

Prvý prací cyklus

Po inštalácii zariadenia je potrebné ešte pred jeho použitím vykonať jeden skúšobný cyklus s prácim prostriedkom a bez náplne prádla, nastavením pracieho programu 2.

Technické údaje

Model	EWSD 51051
Rozmery	šírka 59,5 cm výška 85 cm hĺbka 42,4 cm
Kapacita	od 1 do 5 kg
Elektrické zapojení	Vid' štítok s technickými údajmi, aplikovaný na zariadení.
Pripojenie k rozvodu vody	maximálny tlak 1 MPa (10 bar) maximálny tlak 0,05 MPa (0.5 bar) kapacita bubna 40 litrov
Rýchlost odstredovania	Až do 1000 otáčok za minútu
Kontrolné programy podľa smerníc 1061/2010 a 1015/2010	Program 15: Eco bavlnu 60°C. Program 15: Eco bavlnu 40°C.
 	Toto zariadenie je v zhode s nasledujúcimi smernicami Európskej únie: - 2004/108/CE (Elektromagnetická kompatibilita) - 2006/95/CE (Nízke napätie) - 2012/19/EU - WEEE

Údržba a starostlivosť

SK

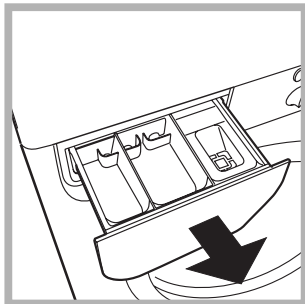
Uzavretie prívodu vody a vypnutie elektrického napájania

- Po každom praní uzatvorte prívod vody. Týmto spôsobom sa znižuje opotrebenie rozvodu vody zariadenia a znižuje sa nebezpečenstvo úniku vody.
- Pred zahájením čistenia práčky a počas údržby je potrebné vytiahnuť zástrčku prívodného kábla zo zásuvky.

Čistenie práčky

Vonkajšie časti a časti z gumy môžu byť čistené utierkou navlhčenou vo vlažnej vode a saponáte. Nepoužívajte rozpúšťadlá alebo abrazívne prostriedky.

Čistenie dávkovača pracích prostriedkov



Vytiahnite dávkovač jeho nadvihnutím a vytiahnutím smerom von (vid' obrázok). Dávkovač umyte pod prúdom vody; toto čistenie je potrebné vykonávať pravidelne.

Starostlivosť o dvierka a bubon

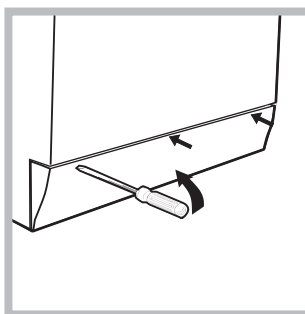
- Dvierka ponechajte zakaždým pootvorené, aby sa zabránilo tvorbe nepríjemných zápachov.

Čistenie čerpadla

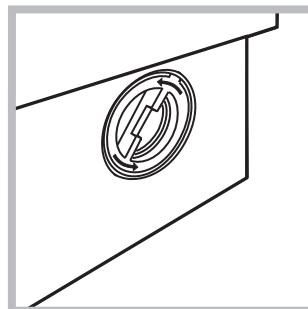
Súčasťou práčky je samočistiace čerpadlo, ktoré nevyžaduje údržbu. Môže sa však stať, že sa v jeho vstupnej ochrannej časti, nachádzajúcej na spodku, zachytia drobné predmety (mince, gombíky).

! Uistite sa, že prací cyklus bol ukončený a vytiahnite zástrčku zo zásuvky.

Prístup k vstupnej časti čerpadla:



1. pomocou skrutkovača odstráňte krycí panel, nachádzajúci sa v prednej časti práčky (vid' obrázok);



2. odskrutkujte veko otáčaním proti smeru hodinových ručičiek (vid' obrázok): vytečenie malého množstva vody je úplne bežným javom;

3. dokonale vyčistite vnútro;
4. nasadte naspäť veko;
5. namontujte naspäť krycí panel, pričom sa pred jeho prisunutím k práčke uistite, že došlo k správnej zachyteniu háčikov do príslušných otvorov.

Skontrolujte prítokovú hadicu vodu

Stav prítokovej hadice je potrebné skontrolovať aspoň raz ročne. Ak sú na nej viditeľné praskliny alebo trhliny, je potrebné ju vymeniť: silný tlak v hadici počas pracieho cyklu by mohol spôsobiť jej náhle roztrhnutie.

! Nikdy nepoužívajte už použité hadice.

! Práčka bola navrhnutá a vyrobená v súlade s platnými medzinárodnými bezpečnostnými predpismi. Tieto upozornenia sú uvádzané z bezpečnostných dôvodov a je potrebné si ich pozorne prečítať.

Základné bezpečnostné pokyny

- Toto zariadenie bolo navrhnuté výhradne na použitie ako spotrebič.
- Toto zariadenie smú používať deti od 8 rokov, osoby náležite vyškolené ohľadne bezpečného použitia zariadenia, ktoré si uvedomujú súvisiace nebezpečenstvo a v prípade dozoru aj osoby so zníženými fyzickými, senzorickými alebo duševnými schopnosťami alebo osoby s nedostatočnými skúsenosťami a znalosťami. Deti sa so zariadením nesmú hrať. Operácie údržby a čistenia nesmú vykonávať deti bez dohľadu.
- Nedotýkajte sa zariadenia bosí, alebo v prípade, keď máte mokré ruky alebo nohy.
- Nevyťahujte zástrčku zo zásuvky ťahaním za kábel, ale uchopením za zástrčku.
- Neotvárajte dávkovač pracích prostriedkov počas činnosti zariadenia.
- Nedotýkajte sa odčerpávanej vody, pretože môže mať veľmi vysokú teplotu.
- V žiadnom prípade sa nepokúšajte o násilné otvorenie dvierok: mohlo by dôjsť k poškodeniu bezpečnostného uzáveru, ktorý zabraňuje náhodnému otvoreniu.
- Pri výskyte poruchy sa v žiadnom prípade nepokúšajte o opravu vnútorných častí zariadenia.
- Vždy majte pod kontrolou deti a zabráňte tomu, aby sa približovali k zariadeniu počas pracieho cyklu.
- Počas pracieho cyklu majú dvierka tendenciu zohrievať sa.
- Ak je potrebné ju presunúť, je dobré poveriť dve alebo tri osoby a vykonať to s maximálnou pozornosťou. Nikdy sa nepokúšajte zariadenie premiestňovať sami, pretože je veľmi ťažké.
- Pred zahájením vkladania prádla skontrolujte, či je bubon prázdny.

Likvidácia

- Likvidácia obalových materiálov: pri ich odstránení postupujte v súlade s miestnymi predpismi a dbajte na možnú recykláciu.
- Európska smernica 2012/19/EU - WEEE o odpadových elektrických a elektronických zariadeniach stanovuje, že staré domáce elektrické spotrebiče nesmú byť odkladané do bežného netriedeného domového odpadu. Staré spotrebiče musia byť odovzdané do oddeleného zberu a to za účelom recyklácie a optimálneho využitia materiálov, ktoré obsahujú, z dôvodu prevencie negatívneho dopadu na ľudské zdravie a životné prostredie.

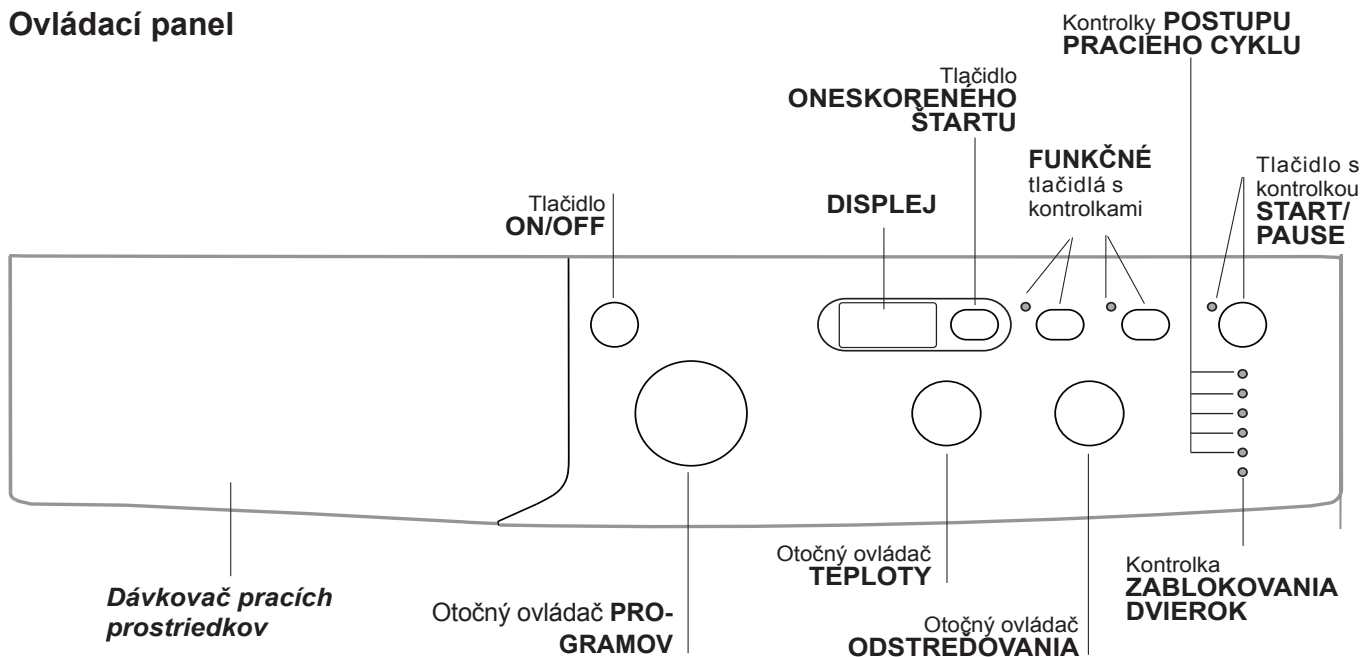
Symbol “prečiarknutej popolnice” na výrobku Vás upozorňuje na povinnosť odovzdať zariadenie po skončení jeho životnosti do oddeleného zberu.

Spotrebitelia majú povinnosť kontaktovať ich lokálny úrad alebo maloobchod kvôli informáciám týkajúcich sa správneho odovzdaniu a likvidácie ich starých spotrebičov.

Popis práčky a zahájenie pracieho programu

SK

Ovládací panel



Dávkovač pracích prostriedkov: slúži na dávkovanie pracích prostriedkov a prídavných prostriedkov (vid' „Pracie prostriedky a prádlo“).

Tlačidlo **ON/OFF:** slúži na zapnutie a vypnutie práčky.


Otočný ovládač **PROGRAMOV:** pre nastavenie pracích programov. Počas pracieho programu zostane v rovnakej polohe.

FUNKČNÉ tlačidlá s kontrolkami: Slúžia na voľbu jednotlivých dostupných funkcií. Kontrolka zvolenej funkcie zostane rozsvietená.

Otočný ovládač **ODSTREĐOVANIA:** slúži na nastavenie odstredovania alebo na jeho vylúčenie (vid' „Užívateľské nastavenia“).

Otočný ovládač **TEPLoty:** slúži na nastavenie teploty alebo prania alebo prania v studenej vode (vid' „Užívateľské nastavenia“).


DISPLEJ: pre zobrazenie doby trvania rôznych programov a po zahájení činnosti aj pre zobrazenie doby zostávajúcej do jeho ukončenia; v prípade nastavenia ONESKORENÉHO ŠTARTU bude zobrazená doba zostávajúca do zahájenia zvoleného programu.

Tlačidlo **ONESKORENÉHO ŠTARTU** : stlačte za účelom nastavenia oneskoreného štartu zvoleného programu. Doba, o ktorú bude štart oneskorený, bude zobrazená na displeji.

Kontrolky **POSTUPU PRACIEHO CYKLU:** slúžia na kontrolu postupu pracieho programu. Rozsvietená kontrolka poukazuje na prebiehajúcu fázu.

Kontrolka **ZABLOKOVANIA DVIEROK:** informuje o tom, či je možné otvoriť dverka (vid' vedľajšia strana).

Tlačidlo s kontrolkou **START/PAUSE:** slúži na zahájenie alebo na dočasné prerušenie programov.

POZN.: Stlačenie tohoto tlačidla slúži na prerušenie prebiehajúceho prania; príslušná kontrolka bude blikať oranžovým svetlom, zatiaľ čo kontrolka prebiehajúcej fázy zostane rozsvietená stálym svetlom. Keď bude kontrolka ZABLOKOVANIA DVIEROK  zhasnutá, bude možné otvoriť dverka (vyčkajte približne 3 minúty). Pre opätovné zahájenie prania z bodu, v ktorom bolo prerušené, opätovne stlačte toto tlačidlo.

Pohotovostný režim


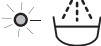


Po skončení cyklu alebo v case, keď nie je spustený žiaden cyklus, po 30 minútach dôjde k vypnutiu zariadenia kvôli energetickej úspore. Na obnovenie činnosti zariadenia, nachádzajúceho sa v pohotovostnom režime, stačí stlačiť tlačidlo ON/OFF.

Kontrolky

Kontrolky sú zdrojom dôležitých informácií. Informujú o nasledujúcich skutočnostiach:

Kontrolky prebiehajúcej fázy

Po zvolení a zahájení požadovaného pracovného cyklu dôjde k postupnému rozsvetovaniu kontroliek informujúcich o jeho postupe.

Pranie	● 
Plákanie	● 
Odstreďovanie	● 
Odčerpanie vody	● 
Ukončenie prania	● END

Funkčné tlačidlá a príslušné kontrolky


Po zvolení konkrétnej funkcie dôjde k rozsvieteniu príslušnej kontrolky.

Keď zvolenú funkciu nie je možné zaradiť do nastaveného programu, príslušná kontrolka bude blikať, budete počuť akustický signál a funkcia nebude aktivovaná. V prípade, že zvolená funkcia nie je kompatibilná s inou predtým zvolenou funkciou, kontrolka prvej voľiteľnej funkcie bude blikať a bude aktivovaná len druhá, pričom kontrolka zvolenej funkcie sa rozsvieti stálym svetlom.

Kontrolka zablokovania dvierok

Rozsvietenie tejto kontrolky signalizuje, že dvierka sú zaistené kvôli zamedzeniu ich náhodnému otvoreniu; aby sa dvierka nepoškodili, pred ich otvorením je potrebné vyčkať, kým uvedená kontrolka nezhasne; (vyčkajte približne 3 minúty). Na otvorenie dvierok v priebehu pracovného cyklu stlačte tlačidlo START/PAUSE; keď bude kontrolka ZABLOKOVANIA DVIEROK zhasnutá, bude možné dvierka otvoriť.

Zahájenie pracovného programu

1. Zapnite práčku stlačením tlačidla ON/OFF. Všetky kontrolky sa rozsvetia na niekoľko sekúnd, potom zhasnú a bude blikať kontrolka START/PAUSE.
2. Naplňte práčku a zatvorte dvierka.
3. Otočným ovládačom PROGRAMOV zvolte požadovaný prací program.
4. Nastavte teplotu prania (vid' „Užívateľské nastavenia“).
5. Nastavte rýchlosť odstreďovania (vid' „Užívateľské nastavenia“).
6. slúži na dávkovanie pracovného prostriedku a prídavných prostriedkov (vid' „Pracie prostriedky a prádlo“).
7. Zvolte požadované funkcie.
8. Zahajte prací program stlačením tlačidla START/PAUSE a príslušná kontrolka zostane rozsvietená stálym svetlom zelenej farby. Zrušenie nastaveného pracovného cyklu sa vykonáva prerušením činnosti zariadenia stlačením tlačidla START/PAUSE a voľbou nového cyklu.
9. Po ukončení pracovného programu sa rozsvieti kontrolka END. Po zhasnutí kontrolky ZABLOKOVANIA DVIEROK  bude možné dvierka otvoriť (vyčkajte približne 3 minúty). Vytiahnite prádlo a nechajte dvierka pootvorené, aby bolo umožnené vysušenie bubna. Zapnite práčku stlačením tlačidla ON/OFF.

Pracie programy

SK

Tabuľka pracích programov

Pracie programy	Popis programu	Max. Teplota (°C)	Max. rýchlosť (otáčky za minútu)	Pracie prostriedky			Max. náplň (kg)	Zvýšková vlhkosť %	Spotreba energie kWh	Voda celkom lit	Doba trvania cyklu
				Predpranie	Pranie	Avivaz					
EVERYDAY FAST											
1	Zmiešané Farebné 59'	40°	1000	-	●	●	5	-	-	-	59'
2	Bavlna 59'	60°	1000	-	●	●	5	-	-	-	59'
3	Bavlna 45'	40°	1000	-	●	●	2,5	-	-	-	45'
4	Syntetika 59' (3)	40° (Max. 60°)	1000	-	●	●	3	44	0.72	36	59'
5	Zmiešané 30'	30°	800	-	●	●	3	71	0.16	27	30'
6	Expres 20'	20°	800	-	●	●	1,5	-	-	-	20'
Special & Partial											
7	Športový odev	40°	600	-	●	●	2,5	-	-	-	**
8	Športová obuv	30°	600	-	●	●	Max. 1 pairs	-	-	-	**
9	Detský program	40°	800	-	●	●	2	-	-	-	**
10	Plákanie	-	1000	-	-	●	5	-	-	-	**
11	Odstred'ovanie + Odčerpanie vody	-	1000	-	-	-	5	-	-	-	**
11	Samostatné odčerpanie vody *	-		-	-	-	5	-	-	-	**
Dedicated											
12	Prádlo plnené perím: Pre prádlo plnené husím perím.	30°	1000	-	●	●	1	-	-	-	**
13	Vlna: Pre vlnu, kašmír, atd.	40°	800	-	●	●	1	-	-	-	**
14	HODVÁB/ZÁCLONY: Pre prádlo z hodvábu, viskózy, spodné prádlo.	30°	0	-	●	●	1	-	-	-	**
15	Eco bavlnu 60°C (1): Znacne špinavé biele a farebné prádlo z odolných tkanín.	60°	1000	-	●	●	5	62	0,92	47,5	220'
15	Eco bavlnu 40°C (2): Znacne špinavé biele a farebné prádlo z chúlolistivých tkanín.	40°	1000	-	●	●	5	62	0,66	66	215'
16	Bavlna + Predpranie: Mimoriadne špinavé biele prádlo.	90°	1000	●	●	●	5	-	-	-	**

* V prípade voľby programu 11 a vylúčenia odstred'ovania, zariadenie vykoná len odčerpanie vody.

** Je možné kontrolovať dobu trvania pracích programov na displeji.

Doba trvania cyklu, uvedená na displeji alebo v návode, je stanovená na základe štandardných podmienok. Skutočná doba sa môže meniť v závislosti na mnohých faktoroch, ako sú napr. teplota a tlak vody na vstupe, teplota prostredia, množstvo pracieho prostriedku, množstvo a druh náplne, vyvázenie náplne a zvolené funkcie.

1) Kontrolný program podľa predpisu 1061/2010: nastavte program 15 s teplotou 60°C.

Tento cyklus je vhodný pre pranie bežne znečisteného bavlneného prádla a jedná sa o najúčinnejší cyklus z hľadiska kombinovanej spotreby energie a vody, určený pre prádlo, ktoré je možné prať pri teplote do 60°C. Skutočná teplota prania sa môže líšiť od uvedenej.

2) Kontrolný program podľa predpisu 1061/2010: nastavte program 15 s teplotou 40°C.

Tento cyklus je vhodný pre pranie bežne znečisteného bavlneného prádla a jedná sa o najúčinnejší cyklus z hľadiska kombinovanej spotreby energie a vody, určený pre prádlo, ktoré je možné prať pri teplote do 40°C. Skutočná teplota prania sa môže líšiť od uvedenej.

Pre všetky Test Institutes:

2) Dlhý program na pranie bavlny: nastavte program 15 s teplotou 40°C.

3) Dlhý program pre syntetiku: nastavte program 4 a potom zvolte možnosť "Extra Wash

Každodenné rýchle cykly

Kompletná rada rýchlych programov na pranie najbežnejších tkanín aj pri max. náplni a na odstránenie najbežnejšieho každodenného znečistenia v priebehu menej ako 1 hodiny.

Zmiešané Farebné 59': na pranie zmiešaného i farebného prádla spolu.

Bavlna 59': cyklus navrhnutý na pranie bavlneného, prevažne bieleho prádla. Je možné ho používať i s pracím práškom.

Bavlna 45': krátky cyklus navrhnutý na pranie chúlolistivého bavlneného prádla.

Syntetika 59': špecifický cyklus na pranie oblečenia zo syntetických tkanín. V prípade odolnejších nečistôt je možné zvýšiť teplotu až do 60° a použiť aj prací prášok.

Zmiešané 30': krátky cyklus navrhnutý pre spoločné pranie bavlneného i syntetického prádla, bieleho i farebného.

Expres 20': program, po ktorom bude vaše prádlo svieže a voňavé v priebehu 20 minút.

Nastavenie teploty

Otáčaním otočného ovládača TEPLOTY sa nastavuje teplota prania (viď *Tabuľka programov*).

Teplota môže byť postupne znižovaná až po pranie v studenej vode (❄).

Zariadenie automaticky zabráni nastaveniu vyššej teploty ako je maximálna teplota pre každý prací program.


! Výnimka: pri voľbe programu **4** bude možné zvýšiť teplotu až na 60°C.

Nastavenie odstredovania

Otáčaním otočného ovládača Odstredovania sa nastavuje rýchlosť odstredovania zvoleného pracieho programu.

Maximálne rýchlosti pre jednotlivé prací programy sú:

Prací programy	Maximálna rýchlosť
Bavlna	1000 otáčok za minútu
Syntetické tkaniny	1000 otáčok za minútu
Vlna	800 otáčok za minútu
Hodváb	len odčerpanie vody

Rýchlosť odstredovania môže byť znížená, alebo odstredovanie môže byť vylúčené voľbou symbolu .

Zariadenie automaticky zabráni nastaveniu vyššej rýchlosti odstredovania ako je maximálna rýchlosť pre každý prací program.

Funkcie

Jednotlivé funkcie, ktorými práčka disponuje, umožňujú dosiahnuť požadovaný stupeň čistoty a belosti praného prádla.


Spôsob aktivácie jednotlivých funkcií:

1. stlačte príslušné tlačidlo požadovanej funkcie;
2. rozsvietenie príslušnej kontrolky signalizuje, že došlo k aktivácii zvolenej funkcie.


Poznámka:

- Keď zvolenú funkciu nie je možné zaradiť do nastaveného programu, príslušná kontrolka bude blikať, budete počuť akustický signál a funkcia nebude aktivovaná.
- V prípade, že zvolená funkcia nie je kompatibilná s inou predtým zvolenou funkciou, kontrolka prvej voliteľnej funkcie bude blikať a bude aktivovaná len druhá, pričom kontrolka zvolenej funkcie sa rozsvieti stálym svetlom.


Oneskoreného štartu

Pre nastavenie oneskoreného štartu zvoleného programu stlačajte príslušné tlačidlo, až kým nenastavíte požadovanú dobu oneskorenia. Keď je táto funkcia zvolená, na displeji sa rozsvieti symbol . Na zrušenie oneskoreného štartu je potrebné stláčať tlačidlo, až kým sa na displeji nezobrazí symbol "OFF".

Extra Wash

Pre veľmi znečistené prádlo aktivujte možnosť Extra Wash , ak je táto funkcia dostupná. Po stlačení tohto tlačidla cyklus automaticky prispôsobí všetky parametre prania a prejde na dlhší cyklus. Táto možnosť ponechá nezmenenú teplotu, zatiaľ čo odstredovanie bude automaticky nastavené na maximálnu úroveň. Užívateľ môže vždy prestaviť odstredovanie na požadovanú hodnotu.

Energy Saver

Možnosť  Energy Saver vám umožňuje prať bavlnené a syntetické prádlo s ušetrením energie a teda šetriť aj životné prostredie. Úspora vzniká tým že pranie prebieha za studena, zatiaľ čo zintenzívnením mechanického pôsobenia a optimalizáciou spotreby vody je aj napriek nízkej teplote dosiahnutý požadovaný výsledok. Táto možnosť je vhodná na pranie mierne znečisteného prádla. Odporúča sa použitie tekutého pracieho prostriedku.

Pracie prostriedky a prádlo

SK

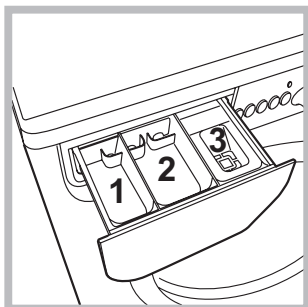
Dávkovač pracích prostriedkov

Dobry výsledok prania závisí aj od správneho dávkovania pracieho prostriedku: použitie nadmerného množstva znižuje efektivitu prania a napomáha tvorbe vodného kameňa na vnútorných častiach práčky a zvyšuje znečistenie životného prostredia.

! Nepoužívajte pracie prostriedky určené na pranie v rukách, pretože spôsobujú tvorbu nadmerného množstva peny.

! Používajte práškové pracie prostriedky pre biele bavlnené prádlo a pre predpieranie a pre pranie pri teplote vyššej ako 60 °C.

! Dodržujte pokyny uvedené na obale pracieho prostriedku.



Pri vyťahovaní dávkovača pracích prostriedkov a pri jeho plnení pracími alebo prídavnými prostriedkami postupujte nasledovne.

priehradka 1: Prací prostriedok na predpieranie (práškový)

priehradka 2: Prací prostriedok na pranie (práškový alebo tekutý)

Tekutý prací prostriedok sa nalieva len tesne pred zahájením pracieho cyklu.

priehradka 3: Prídavné prostriedky (aviváž, atď.)

Aviváž nesmie vytekať z mriežky.

Poznámka: V prípade použitia „pracích tabliet“ sa odporúča vždy dodržiavať pokyny výrobcu.

Príprava prádla

- Roztriedte prádlo podľa:
 - druhu tkaniny / symbolu na visačke.
 - farby: oddelte farebné prádlo od bieleho.
- Vyprázdňte vrecká a skontrolujte gombíky.
- Neprekračujte hodnoty povolenej náplne uvedenej v „Tabuľka pracích programov“, vzťahujúce sa na hmotnosť suchého prádla:

Koľko váži prádlo?

- 1 plachta 400-500 g
- 1 obliečka 150-200 g
- 1 obrus 400-500 g
- 1 župan 900-1.200 g
- 1 uterák 150-250 g

Prádlo vyžadujúce osobitnú starostlivosť

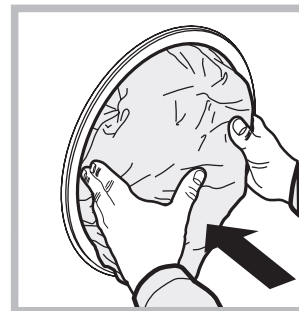
Športový odev: cyklus vhodný pre spoločné pranie športového prádla, vrátane uteráka z telocvične, s ohľadom na vlákna (vychádzajte z pokynov uvedených na visačkách na oblečenie).


Športová obuv: cyklus navrhnutý na bezpečné pranie až do 1 párov športovej obuvi súčasne.

Pred vložením obuvi do koša sa odporúča zaviazať šnúrky.

Detský program: cyklus, ktorý bol navrhnutý pre typické znečistenie detského oblečenia i pre účinné odstránenie prípadných stôp zvyšného pracieho prostriedku.

Prádlo plnené perím: na pranie prádla plneného husacím perím, ako napríklad samostatné periny (nepresahujúce hmotnosť 1 kg), hlavnice, vetrovky, používajte príslušný program 12. Odporúča sa vkladať periny do bubna tak, že sa ich obidva okraje zložia smerom dovnútra (viď obrázky) a nesmiete pritom prekročiť ¼ celkový objem samotného bubna. Za účelom optimálneho prania sa odporúča použiť tekutý prací prostriedok a dávkovať ho prostredníctvom dávkovača pracích prostriedkov.



Vlna: S programom 13 je možné prať v práčke všetky druhy vlneného prádla, aj tie, ktoré sú označené visačkou „prať len v rukách“ . Pre dosiahnutie optimálnych výsledkov používajte špecifický prací prostriedok a neprekračujte náplň 1 kg.

Hodváb: použite príslušný program 14 na pranie všetkého prádla z hodvábu. Odporúča sa použitie pracieho prostriedku pre chĺstovité prádlo.

Záclony: odporúča sa ich poskladať a vložiť do sáčku dodaného v rámci príslušenstva. Použite program 14.

Systém automatického vyváženia náplne

Pred každým odstredovaním bubon vykoná otáčanie rýchlosťou o málo prevyšujúcou rýchlosť prania, aby sa tak odstránili vibrácie a aby sa náplň rovnomerne rozložila. V prípade, že po niekoľko násobných pokusoch o vyváženie prádlo ešte nebude správne vyvážené, zariadenie vykoná odstredovanie nižšou rýchlosťou, ako je prednastavená rýchlosť. Ak je práčka nadmerne nevyvážená, vykoná namiesto odstredovania vyváženie. Za účelom dosiahnutia rovnomernejšieho rozloženia náplne a jej správneho vyváženia, odporúča sa pomiešať veľké a malé kusy prádla.

Môže sa stať, že práčka nebude fungovať. Skôr, ako zatelefonujete na Servisnú službu *vid' „Servisná služba“*) skontrolujte, či sa nejedná o problém ľahko odstrániteľný pomocou nasledujúceho zoznamu.

Poruchy:

Možné príčiny / Spôsob ich odstránenia:

Pračku nie je možné zapnúť.

- Zástrčka nie je zasunutá v elektrickej zásuvke, alebo nie je zasunutá dostatočne, aby došlo k spojeniu kontaktov.
- V celom dome je vypnutý prúd.

Nedochádza k zahájeniu pracovného cyklu.

- Nie sú riadne zatvorené dverka.
- Nebolo stlačené tlačidlo ON/OFF.
- Nebolo stlačené tlačidlo START/PAUSE.
- Nebol otvorený kohútik prívodu vody.
- Bol nastavený oneskorený štart (*vid' „Užívateľské nastavenia“*).

Do práčky nie je napúšťaná voda (Na displeji je zobrazený blikajúci nápis „H2O“).

- Prítoková hadica nie je pripojená k vodovodnému kohútiku.
- Hadica je príliš ohnutá.
- Nebol otvorený kohútik prívodu vody.
- V celom dome je uzatvorený prívod vody.
- V rozvode vody nie je dostatočný tlak.
- Nebolo stlačené tlačidlo START/PAUSE.

Práčka nepretržite napúšťa a odčerpáva vodu.

- Vypúšťacia hadica sa nachádza mimo určeného rozmedzia od 65 do 100 cm nad zemou (*vid' „Inštalácia“*).
 - Koncová časť vypúšťacej hadice je ponorená vo vode (*vid' „Inštalácia“*).
 - Odpadové potrubie v stene nie je vybavené odvzdušňovacím otvorom.
- Ak po týchto kontrolách nedôjde k odstráneniu problému, zatvorte vodovodný kohútik, vypnite práčku a zavolajte Servisnú službu. V prípade, že sa byt nachádza na jednom z najvyšších poschodí je možné, že dochádza k sifónovému efektu, následkom ktorého práčka nepretržite napúšťa a odčerpáva vodu. Na odstránenie uvedeného efektu sú v predaji bežne dostupné špeciálne „protisifónové“ ventily.

Práčka neodčerpáva vodu alebo neodstredzuje.

- Odčerpanie vody netvorí súčasť nastaveného programu: pri niektorých programoch je potrebné aktivovať ho manuálne.
- Vypúšťacia hadica je ohnutá (*vid' „Inštalácia“*).
- Odpadové potrubie je upchaté.

Práčka vo fáze odstredovania veľmi vibruje.

- Počas inštalácie nebol bubon odistený predpísaným spôsobom (*vid' „Inštalácia“*).
- Práčka nie je dokonale vyrovnaná do vodorovnej polohy (*vid' „Inštalácia“*).
- Zariadenie je stlačené medzi nábytkom a stenou (*vid' „Inštalácia“*).

Z práčky uniká voda.

- Prítoková hadica nie je správne zaskrutkovaná (*vid' „Inštalácia“*).
- Dávkovač pracích prostriedkov je upchatý (spôsob jeho vyčistenia je uvedený v časti *„Údržba a starostlivosť“*).
- Vypúšťacia hadica nie je dobre pripevnená (*vid' „Inštalácia“*).

Kontrolky „voliteľné funkcie“ a kontrolka „štart/pauza“ blikajú a jedna z kontroliek „prebiehajúca fáza“ a „ZABLOKOVANIA DVIEROK“ sa rozsvieti stálym svetlom.

- Vypnite zariadenie a vytiahnite zástrčku zo zásuvky, vyčkajte 1 minútu a opätovne ho zapnite.
- Ak porucha pretrváva, obráťte sa na Servisnú službu.

Dochádza k tvorbe nadmerného množstva peny.

- Použitý prací prostriedok nie je vhodný na použitie v automatickej práčke (musí obsahovať označenie „pre pranie v práčke“, „pre pranie v rukách alebo v práčke“ alebo podobné označenie).
- Bolo použité jeho nadmerné množstvo.

Servisná služba

SK

Pred obrátením sa na Servisnú službu:

- Skontrolujte, či nie ste schopní poruchu odstrániť sami (vid' „Poruchy a spôsob ich odstránenia“);
- Opätovne uveďte do chodu prací program, s cieľom overiť, či bola porucha odstránená;
- V opačnom prípade sa obráťte na Centrum servisnej služby, na telefónnom čísle uvedenom na záručnom liste.

! Nikdy sa neobracajte so žiadosťou o pomoc na technikov, ktorí nie sú na vykonávanie tejto činnosti oprávnení.

Pri hlásení poruchy uveďte:

- druh poruchy;
- model zariadenia (Mod.);
- výrobné číslo (S/N).

Tieto informácie sú uvedené na štítku aplikovanom na zadnej časti práčky a v jej prednej časti, dostupnej po otvorení dvierok.

DELEGOVANÉ NARIADENIE KOMISIE (EÚ) č. 1061/2010	
Značka	INDESIT
Model	EWSD 51051 W EU
Menovitá kapacita bavlnenej látky v kg	5
Trieda energetickej účinnosti na stupnici A+++ (najnižšia spotreba) až G (vysoká spotreba)	A+
Ročná spotreba energie v kWh ¹⁾	166
Spotreba energie štandardného programu na bavlnu pre pranie pri 60 °C s celou náplňou v kWh ²⁾	0.92
Spotreba energie štandardného programu na bavlnu pre pranie pri 60 °C s polovičnou náplňou v kWh ²⁾	0.635
Spotreba energie štandardného programu na bavlnu pre pranie pri 40 °C s polovičnou náplňou v kWh ²⁾	0.54
Vážená spotreba energie vo vypnutom stave vo W	0.5
Vážená spotreba energie v režime ponechania v zapnutom stave vo W	8
Ročná spotreba vody v litroch ³⁾	7550
Trieda účinnosti sušenia odstredovaním na stupnici od G (najmenšia účinnosť) do A (najvyššia účinnosť)	C
Maximálne otáčky pri odstredovaní ⁴⁾	1000
Zostatkový obsah vlhkosti v % ⁵⁾	62.0%
Trvanie štandardného programu na bavlnu pre pranie pri 60 °C s celou náplňou v minútach.	220
Trvanie štandardného programu na bavlnu pre pranie pri 60 °C s polovičnou náplňou v minútach.	165
Trvanie štandardného programu na bavlnu pre pranie pri 40 °C s polovičnou náplňou v minútach.	160
Trvanie režimu ponechania v zapnutom stave v minútach	30
Emisia hluku v dB(A) re 1 pW počas prania ⁶⁾	60
Emisia hluku v dB(A) re 1 pW počas odstredovania ⁶⁾	80
Vstavany spotrebič	

¹⁾ Štandardný program na bavlnu pre pranie pri 60 °C s celou náplňou a polovičnou náplňou a štandardný program na bavlnu pre pranie pri 40°C s polovičnou náplňou sú štandardné prací programy, na ktoré sa vzťahujú informácie uvedené na energetickom štítku a v informačnom liste. Tieto programy sú vhodné na pranie bežne znečistenej bavlnenej bielizne a jedná sa o najúčinnnejšie programy z hľadiska kombinovanej spotreby energie a vody.

²⁾ Na základe 220 štandardných pracích cyklov s programami na bavlnu pre pranie pri 60 °C a 40 °C s celou a polovičnou náplňou a spotreba v režimoch s nízkou spotrebou energie. Skutočná spotreba energie bude závisieť na tom, ako je spotrebič používaný.

³⁾ Na základe 220 štandardných pracích cyklov s programami na bavlnu pre pranie pri 60 °C a 40 °C s celou a polovičnou náplňou. Skutočná spotreba vody bude závisieť na tom, ako je spotrebič používaný.

⁴⁾ U štandardného programu na bavlnu pre pranie pri 60 °C s celou náplňou alebo u štandardného programu na Uavlnu pre pranie pri 40 °C s polovičnou náplňou podľa toho, ktorá hodnota je menšia.

⁵⁾ U štandardného programu na bavlnu pre pranie pri 60 °C s celou náplňou alebo u štandardného programu na bavlnu pre pranie pri 40 °C s polovičnou náplňou podľa toho, ktorá hodnota je väčšia.

⁶⁾ Počas fázy prania a odstredovania u štandardného programu na bavlnu pre pranie pri 60 °C s celou náplňou.

HU

Magyar

EWSD 51051

Összefoglalás

Üzembe helyezés, 38-39

Kicsomagolás és vízszintbe állítás
Víz- és elektromos csatlakozás
Első mosási ciklus
Műszaki adatok

Karbantartás és ápolás, 40

A víz elzárása és az elektromos áram kikapcsolása
A mosógép tisztítása
A mosószer-adagoló fiók tisztítása
Az ajtó és a forgódob ápolása
A szivattyú tisztítása
A vízbevezető cső ellenőrzése

Óvintézkedések és tanácsok, 41

Általános biztonság
Hulladékelhelyezés

A mosógép leírása és program elindítása, 42-43

Kezelőpanel
Jelzőlámpák
Program elindítása

Programok, 44

Programtáblázat
Mindennapi gyors ciklusok

Egyéni beállítások, 45

A hőmérséklet beállítása
A centrifugálás beállítása
Funkciók

Mosószerek és mosandók, 46

Mosószer-adagoló fiók
A mosandó ruhák előkészítése
Különleges bánásmódot igénylő ruhadarabok
A bepakolt ruhák kiegyensúlyozására szolgáló rendszer

Rendellenességek és elhárításuk, 47

Szerviz, 48

Üzembe helyezés

HU

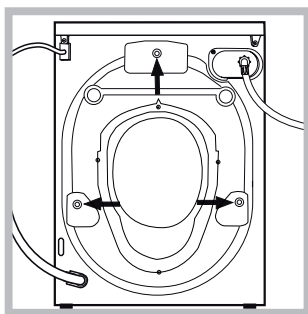
! Fontos, hogy megőrizze ezt a kézikönyvet, hogy mindig kéznél legyen. Ha a mosógépet eladná, átadná vagy másnál helyezné el, gondoskodjon arról, hogy e kézikönyv a mosógéppel együtt maradjon, hogy az új tulajdonos is megismerhesse a készülék funkcióit és az ezekre vonatkozó figyelmeztetéseket.

! Figyelmesen olvassa el az utasításokat: fontos információkat tartalmaznak az üzembe helyezésről, a használatról és a biztonságról.

Kicsomagolás és vízszintbe állítás

Kicsomagolás

1. Csomagolja ki a mosógépet.
2. Ellenőrizze, hogy a mosógép nem sérült-e meg a szállítás során. Ha a gépen sérülést talál, ne csatlakoztassa, és forduljon a viszonteladóhoz.



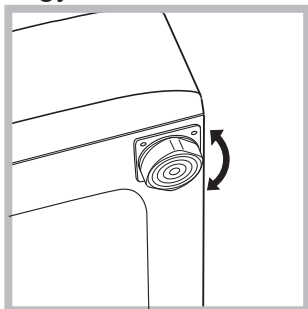
3. Csavarozza ki a gép hátsó részén található, a szállításhoz szükséges 3 védőcsavart, és távolítsa el a gumi-bakot (lásd ábra).

4. Zárja le a furatokat a mellékelt műanyag dugókkal.
5. Minden darabot őrizzen meg: ha a mosógépet szállítani kell, előtte ezeket vissza kell szerelni.

! A csomagolóanyag nem gyermekjáték!

Vízszintbe állítás

1. A mosógépet sík és kemény padlóra állítsa, úgy, hogy ne érjen falhoz, bútorhoz vagy máshoz.

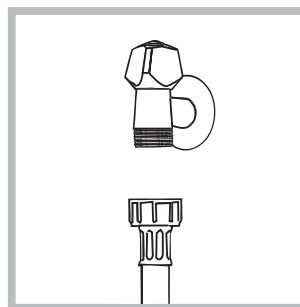


2. Ha a padló nem tökéletesen vízszintes, azt az első lábak be-, illetve kicsavarásával kompenzálhatja (lásd ábra). A gép felső burkolatán mért dőlés nem haladhatja meg a 2°-ot.

A pontos vízszintezés biztosítja a gép stabilitását, így az a működés során nem fog rezegni, zajt okozni, illetve elmozdulni. Szőnyegpadló vagy szőnyeg esetén a lábakat úgy állítsa be, hogy a mosógép alatt elegendő hely maradjon a szellőzésre.

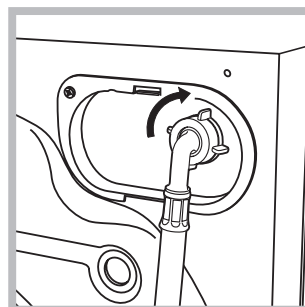
Víz- és elektromos csatlakozás

Vízbevezető cső csatlakoztatása



1. A vízbevezető cső csatlakoztatásához csavarozza fel a csövet egy 3/4"-os külső menettel rendelkező hidegvíz csapra (lásd ábra). A csatlakoztatás előtt eressze meg a csapot addig, amíg a víz teljesen átlátszóvá

nem válik.



2. A vízbevezető cső csatlakoztatásához csavarozza a csövet a mosógép hátoldalán jobbra fent található vízbemeneti csonkra (lásd ábra)!

3. Ügyeljen arra, hogy a csövön ne legyen törés vagy szűkület!

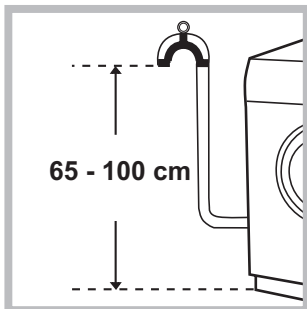
! A csap víznyomásának a műszaki adatok táblázatában szereplő határértékek között kell lennie (lásd a szemben lévő oldalt).

! Amennyiben a vízbevezető cső nem elég hosszú, forduljon szakülethez vagy engedéllyel rendelkező szakemberhez.

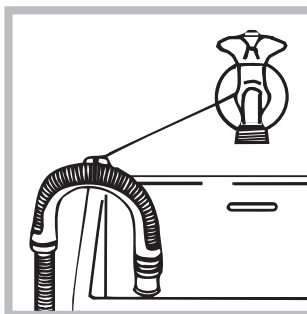
! Soha ne használjon korábban már használt csöveket.

! Használja a készülékhez mellékelteket.

A leeresztőcső csatlakoztatása



Csatlakoztassa a leeresztőcsövet a lefolyóhoz vagy a padlótól 65 és 100 cm közötti magasságban lévő fali szifonhoz anélkül, hogy megtörné;



illetve akassza a mosdó vagy a kád szélére úgy, hogy a mellékelt csővezető ívet a csaphoz erősíti (lásd ábra). A leeresztőcső szabad végének nem szabad vízbe merülnie.

! Toldások használata nem javasolt. Amennyiben feltétlenül szükséges, a toldás átmérője egyezzen meg az eredeti csőével és semmiképpen se legyen 150 cm-nél hosszabb.

Elektromos csatlakoztatás

Mielőtt a csatlakozódugót az aljzatba dugná, bizonyosodjon meg arról, hogy:

- az aljzat földelése megfelel a törvény által előírtak;
- az aljzat képes elviselni a készülék műszaki adatait tartalmazó táblázatban megadott maximális teljesítményfelvételt (lásd szemben);
- a hálózat feszültsége a műszaki adatokat tartalmazó táblázatban szereplő értékek közé esik (lásd szemben);
- az aljzat kompatibilis a mosógép csatlakozódugójával. Ellenkező esetben cserélje ki az aljzatot vagy a csatlakozódugót!

! A mosógép nem állítható fel nyílt téren, még akkor sem, ha tető van fölötte, mivel nagyon veszélyes, ha a gép esőnek vagy zivataroknak van kitéve.

! A csatlakozódugónak a mosógép üzembe helyezett állapotában is könnyen elérhető helyen kell lennie.

! Ne használjon hosszabbítót vagy elosztót.

! A kábel ne legyen se megtörve, se összenyomva.

! A tápkábelt csak engedéllyel rendelkező szakember cserélheti.

Figyelem! A fenti előírások figyelmen kívül hagyása esetén a gyártó elhárít minden felelősséget.

Első mosási ciklus

Üzembe helyezés után – mielőtt a mosógépet használni kezdené – mosószerrel, mosandó ruha nélkül futtassa le az 2-es mosási programot.

Műszaki adatok

Modell EWSD 51051

Méret szélesség 59,5 cm
magasság 85 cm
mélység 42,4 cm

Ruhatöltet: 1-től 5 kg-ig

Elektromos csatlakozás lásd a készüléken található, műszaki jellemzőket tartalmazó adattáblát!

Vízcsatlakozások maximális nyomás 1 MPa (10 bar)
minimális nyomás 0,05 MPa (0,5 bar)
dob űrtartalma 40 liter

Centrifuga fordulatszám 1000 fordulat/perc-ig

Az 1061/2010 és 1015/2010 rendeletek szerinti vizsgálati programok. 15-as program; Eco pamut 60 °C-os.
15-as program; Eco pamut 40 °C-os.



Ez a berendezés megfelel a következő Uniós Előírásoknak:
- 2004/108/CE előírás (Elektromágneses összeférhetőség)
- 2012/19/EU - WEEE
- 2006/95/CE (Alacsony feszültség)

Karbantartás és ápolás

HU

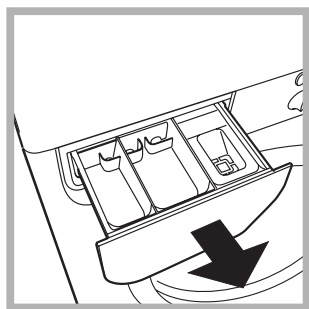
A víz elzárása és az elektromos áram kikapcsolása

- Minden mosás után zárja el a vízcsapot. Így kíméli a mosógép vízrendszerét és megszünteti a vízszivárgás kockázatát.
- A mosógép tisztításakor, illetve karbantartásakor húzza ki a hálózati csatlakozódugót az aljzatból.

A mosógép tisztítása

A külső részeket és a gumirészeket langyos, szappanos vizes ronggyal tisztíthatja. Ne használjon oldószert vagy súrolószert!

A mosószer-adagoló fiók tisztítása



A fiók felemelésével és kifelé húzásával vegye ki a fiókot (lásd ábra). Folyó víz alatt mossa ki! Ezt a tisztítást gyakran el kell végezni.

Az ajtó és a forgódob ápolása

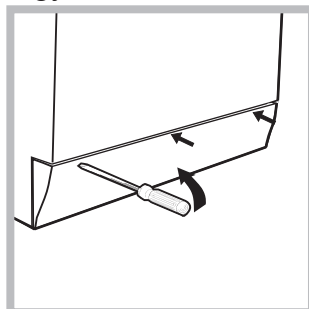
- Az ajtót hagyja mindig részre nyitva, nehogy rossz szagok keletkezzenek.

A szivattyú tisztítása

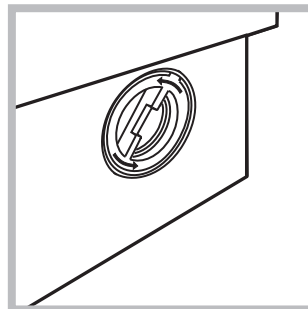
A mosógép öntisztító szivattyúval van felszerelve, melynek nincs szüksége tisztítási és karbantartási műveletekre. Előfordulhat azonban, hogy apró tárgyak (aprópénz, gomb) esnek a szivattyú alsó részén található szivattyúvédő előkamrába.

! Győződjön meg róla, hogy a mosóprogram véget ért, és húzza ki a hálózati csatlakozót.

Az előkamrához való hozzáférés érdekében tegye a következőket:



1. Egy csavarhúzó segítségével távolítsa el a burkolópanelt a készülék elejéről (lásd ábra);



2. Órairánnyal elmentélesen forgatva csavarja le a fedelet (lásd ábra). Természetes, hogy egy kevés víz kifolyik;

3. Gondosan tisztítsa ki az üreg belsejét;
4. Csavarja vissza a fedelet;
5. Szerelje vissza a panelt – mielőtt a gép felé nyomná, győződjön meg arról, hogy a horgok a hozzájuk tartozó furatokba illeszkednek.

A vízbevezető cső ellenőrzése

Évente legalább egyszer ellenőrizze a vízbevezető csövet. Ha repedezett vagy hasadozott, ki kell cserélni – a mosás során a nagy nyomás hirtelen szakadást okozhat.

! Soha ne használjon korábban már használt csöveket.

! A mosógép a nemzetközi biztonsági szabványoknak megfelelően lett tervezve és gyártva. Ezeket a figyelmeztetéseket biztonsági okokból írjuk le, kérjük, olvassa el őket figyelmesen!

Általános biztonság

- Ez a készüléket háztartási használatra lett tervezve.
- Ezt a készüléket a 8 éves kort betöltött gyermekek, valamint a testileg, érzékszervileg vagy szellemileg korlátozott, nem hozzáértő, illetve a terméket nem ismerő személyek csak megfelelő felügyelet mellett, vagy a készülék biztonságos használatával kapcsolatos alapvető utasítások és a kapcsolódó veszélyek ismeretében használhatják. A gyerekek nem játszhatnak a készülékkel. A karbantartási és tisztítási munkákat felügyelet nélkül hagyott gyerekek nem végezhetik.
- Ne érjen a géphez mezítláb, illetve vizes vagy nedves kézzel vagy lábbal!
- A csatlakozódugót az aljzatból ne a kábelnél, hanem a csatlakozónál fogva húzza ki!
- Működés közben ne nyissa ki a mosószer-adagoló fiókot.
- Ne nyúljon a leeresztett vízbe, mert forró lehet!
- Semmiképpen ne feszegesse az ajtót: megsérülhet a véletlen nyitást megakadályozó biztonsági retesz.
- Hiba esetén semmiképpen se nyúljon a gép belső részeihez, és ne próbálja megjavítani!
- Mindig ügyeljen arra, hogy gyermekek ne mehessenek a működő gép közelébe.
- A mosás során az ajtó meleg lehet.
- Amennyiben a gépet át kell helyezni, az áthelyezést két vagy három személy végezze, maximális odafigyeléssel. Soha ne próbálja egyedül elmozdítani, mert a készülék nagyon nehéz.
- A mosandó berakása előtt ellenőrizze, hogy a forgódob üres-e.

Hulladékelhelyezés

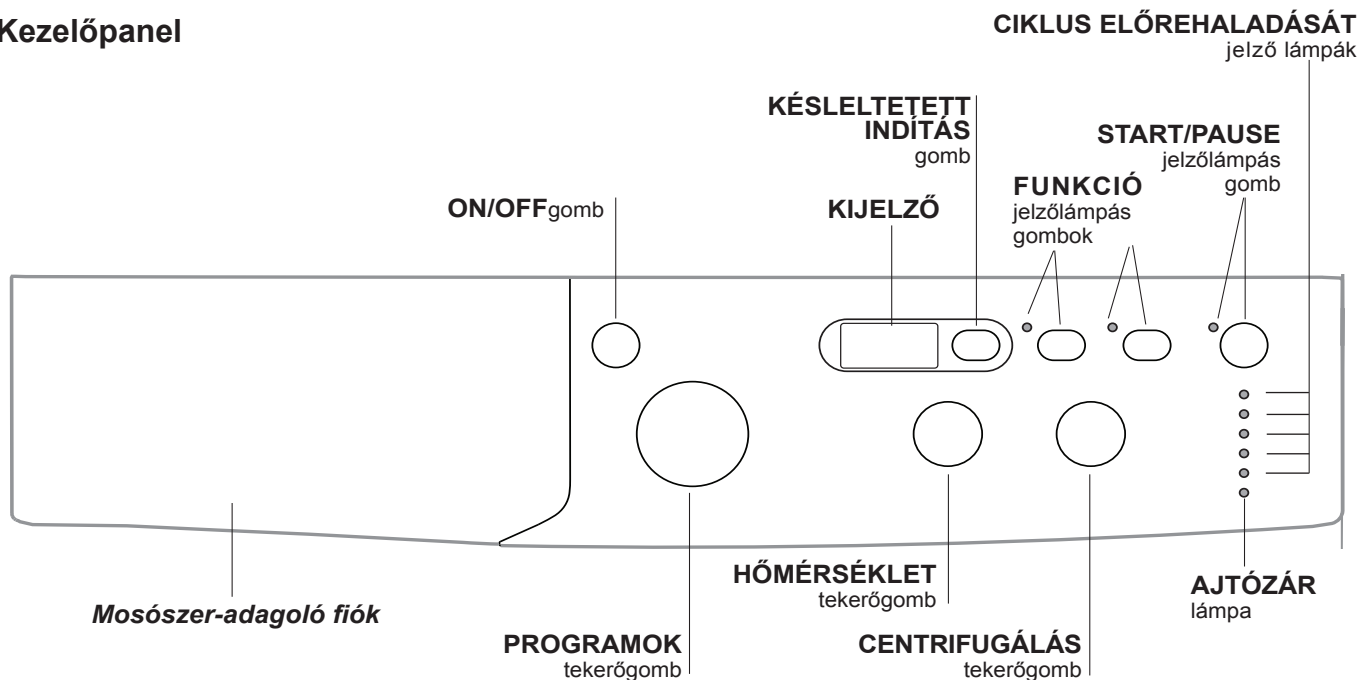
- A csomagolóanyag megsemmisítése: tartsa be a helyi előírásokat, így a csomagolás újrahasznosítható.
- Az elektromos készülékek megsemmisítéséről szóló európai direktíva 2012/19/EU - WEEE előírja, hogy a régi háztartási gépeket nem szabad a normál nem szelektív hulladékgyűjtési folyamat során összegyűjteni. A régi gépeket szelektíven kell összegyűjteni, hogy optimalizálni lehessen a bennük lévő anyagok újrahasznosítását és csökkenteni lehessen az emberi egészségre és környezetre gyakorolt hatásukat. Az áthúzott "szemeteskuka" jele emlékezteti Önt arra, hogy kötelessé-

ge ezeket a termékeket szelektíven összegyűjteni. A fogyasztóknak a helyi hatóságot vagy kereskedőt kell felkeresniük a régi háztartási gépek helyes elhelyezését illetően.

A mosógép leírása és program elindítása

HU

Kezelőpanel



Mosószer-adagoló fiók: a mosószerek és adalékok betöltésére szolgál (lásd „Mosószerek és mosandók”).

ON/OFF gomb: a mosógép be-, illetve kikapcsolására szolgál.


PROGRAMOK tekerőgomb: a programok beállítására szolgál. A program lefutása alatt a tárcsa nem mozdul.

FUNKCIÓ jelzőlámpás gombok: a lehetséges funkciók kiválasztására szolgál. A kiválasztott funkció jelzőlámpája égve marad.

CENTRIFUGÁLÁS tekerőgomb: a centrifugálás bekapcsolására, illetve kikapcsolására szolgál (lásd „Egyéni beállítások”).


HŐMÉRSÉKLET tekerőgomb: a hőmérséklet, illetve a hideg vizes mosás beállítására szolgál (lásd „Egyéni beállítások”).

KIJELZŐ: a rendelkezésre álló programok hosszának, illetve elindított ciklus esetén a program végéig hátralévő maradékidőnek a megjelenítésére szolgál. **KÉSLELTETETT INDÍTÁS** beállítása esetén a kiválasztott program elindulásáig hátralévő időt jeleníti meg.

KÉSLELTETETT INDÍTÁS  gomb: a kiválasztott program késleltetett elindításához nyomja meg ezt a gombot. A késleltetés értéke megjelenik a kijelzőn.

CIKLUS ELŐREHALADÁSÁT jelző lámpák: a mosási program előrehaladásának követésére szolgál. Az égő lámpa az éppen folyamatban lévő fázist jelzi.

AJTÓZÁR lámpa: az ajtó kinyithatóságának jelzésére szolgál (lásd a szemben lévő oldalt).

START/PAUSE jelzőlámpás gomb: a programok elindítására, illetve pillanatnyi megszakítására szolgál. Megjegyzés: A folyamatban lévő mosás szüneteltetéséhez nyomja meg ezt a gombot – a vonatkozó jelzőlámpa narancssárga fénnel fog villogni, míg a folyamatban lévő fázist jelző lámpa folyamatos fénnel világítani fog. Ha az **AJTÓZÁR lámpa**  nem világít, kinyithatja az ajtót (várjon kb. 3 percet). A mosásnak a megszakítás időpontjától való folytatásához nyomja meg ismét ezt a gombot.

Készenléti üzemmód


Ez a mosógép - az energiatakarékosságra vonatkozó legújabb előírásoknak megfelelően - automatikus kikapcsolási (készenléti) rendszerrel van ellátva, mely a használat megadott 30 percnyi szüneteltetése esetén bekapcsol. Nyomja meg röviden a **ON/OFF gombot**, és várjon, amíg a készülék újrabekepcsol.

Jelzőlámpák

A jelzőlámpák fontos információkat közvetítenek. Ezek a következők:

Folyamatban lévő fázis jelzőlámpái

A kívánt mosási ciklus kiválasztása és elindítása után a jelzőlámpák a program előrehaladásának megfelelően, egymás után kigyulladnak.

Mosás	● 
Öblítés	● 
Centrifugálás	● 
Ürítés	● 
Mosás vége	● END

Funkciógombok és az azokhoz tartozó lámpák

A Kívánt funkció kiválasztásakor a megfelelő jelzőlámpa kigyullad.


Ha a kiválasztott funkció a beállított programmal nem fér össze, a megfelelő jelzőlámpa villogni kezd, és a funkció nem lesz bekapcsolva.

Ha a kiválasztott funkció egy korábban beállított programmal nem kompatibilis, az elsőként kiválasztott funkció lámpája villogni kezd, és csak a második funkció lesz bekapcsolva, a bekapcsolt funkció lámpája folyamatosan világít.

Ajtózár lámpa

A világító jelzőlámpa azt jelzi, hogy a véletlen nyitás megakadályozása érdekében az ajtó be van zárva. Az ajtó kinyitásához meg kell várni, hogy a jelzőlámpa kialudjon (várjon kb. 3 percet). Az ajtó menet közbeni kinyitásához nyomja meg az START/PAUSE gombot; ha az AJTÓZÁR lámpa kialudt, kinyithatja az ajtót.

Program elindítása

1. A ON/OFF gomb megnyomásával kapcsolja be a mosógépet. Néhány másodpercre az összes jelzőlámpa bekapcsol, majd kialszik, és az START/PAUSE lámpa villogni kezd.
2. Helyezze be a mosandó ruhákat, és csukja be az ajtót.
3. A PROGRAMOK tekerőgombbal állítsa be a kívánt programot.
4. Állítsa be a mosási hőmérsékletet (lásd „Egyéni beállítások”).
5. Állítsa be a centrifugálás sebességét (lásd „Egyéni beállítások”).
6. Töltsé be a mosószert és adalékanyagokat (lásd „Mosószerek és mosandók”).
7. Válassza ki a kívánt funkciókat.
8. Az START/PAUSE gomb megnyomásával indítsa el a programot, mire a megfelelő jelzőlámpa zöld fényel világítani kezd. A beállított mosási ciklus törléséhez az START/PAUSE gomb megnyomásával szüneteltesse le a készüléket, és válasszon egy új mosási ciklust.
9. A program végeztével kigyullad a END jelzőlámpa. Amikor az AJTÓZÁR  lámpa kialszik, az ajtót ki lehet nyitni (várjon kb. 3 percet). Vegye ki a mosandó ruhákat, és hagyja az ajtót félig nyitva, hogy a forgódob kiszáradjon. A ON/OFF gomb megnyomásával kapcsolja ki a mosógépet.

Programok

HU

Programtáblázat

Programok	Programleírás	Max. hom. (°C)	Max. sebesség (ford./perc)	Mosószeresek			Max. ruhamennyiség (kg)	Maradék nedvességtartalom %	Energiafogyasztás kWh	Összes víz lt	Programido
				Elomosás	Mosás	Öblítő					
EVERYDAY FAST											
1	Vegyes színes ruhaneműk 59 perc alatt	40°	1000	-	●	●	5	-	-	-	59'
2	Pamut ruhaneműk 59 perc alatt	60°	1000	-	●	●	5	-	-	-	59'
3	Pamut ruhaneműk 45 perc alatt	40°	1000	-	●	●	2,5	-	-	-	45'
4	Szintetikus ruhaneműk 59 perc alatt (3)	40° (Max. 60°)	1000	-	●	●	3	44	0,72	36	59'
5	Vegyes ruhaneműk 30 perc alatt	30°	800	-	●	●	3	71	0,16	27	30'
6	Expressz 20 perc alatt	20°	800	-	●	●	1,5	-	-	-	20'
Special & Partial											
7	Sportruházat és törölközők	40°	600	-	●	●	2,5	-	-	-	**
8	Sportcipők	30°	600	-	●	●	Max. 1 par	-	-	-	**
9	Baba	40°	800	-	●	●	2	-	-	-	**
10	Öblítés	-	1000	-	-	●	5	-	-	-	**
11	Centrifugálás + Szivattyúzás	-	1000	-	-	-	5	-	-	-	**
11	Csak szivattyúzás *	-	⊘	-	-	-	5	-	-	-	**
Dedicated											
12	Tollal bélelt holmik: libatollal bélelt ágy- és ruhaneműkhöz.	30°	1000	-	●	●	1	-	-	-	**
13	Gyapjű: Gyapjű, kasmír stb. ruhaneműk mosásához.	40°	800	-	●	●	1	-	-	-	**
14	Selyem/Függöny: Selyem ruhaneműkhöz, viszkózus anyagokhoz, fehérneműkhöz.	30°	0	-	●	●	1	-	-	-	**
15	Eco pamut 60 °C-os (1): Erosen szennyezett fehér és magasabb hőmérsékleten mosható színes ruhák.	60°	1000	-	●	●	5	62	0,92	47,5	220'
15	Eco pamut 40 °C-os(2): Enyhén szennyezett fehér és kényes színes ruhák.	40°	1000	-	●	●	5	62	0,66	66	215'
16	Pamut elomosás: Erosen szennyezett fehér ruhák.	90°	1000	●	●	●	5	-	-	-	**

* Az 11 program kiválasztásakor és a centrifuga kizárásakor a gép csak az ürítést végzi el.

** A mosási programok mosási ideje leolvasható a kijelzőről.

A kijelzőn megjelenő vagy a kézikönyben feltüntetett ciklusidők szokásos körülmények alapján becsült értékek. A tényleges időt számos tényező befolyásolhatja – pl. a bemeneti víznyomás, a környezeti hőmérséklet, a mosószer mennyisége, a ruhatöltet mennyisége és típusa, a ruhatöltet kiegyensúlyozása, a kiválasztott további opciók.

1) 1061/2010 szabvány szerinti vezérlőprogramok: állítsa be a 15-os programot 60 °C és.

Ez a ciklus egy adag, nem különösebben koszos pamut ruhadarabok mosására alkalmas, és ez a leghatékonyabb a víz- és energiafogyasztás szempontjából is. 60°C-on mosható termékekhez. A mosás tényleges hőmérséklete eltérhet a megjelölt értéktől.

2) 1061/2010 szabvány szerinti vezérlőprogramok: állítsa be a 15-os programot 40 °C és.

Ez a ciklus egy adag, nem különösebben koszos pamut ruhadarabok mosására alkalmas, és ez a leghatékonyabb a víz- és energiafogyasztás szempontjából is. 40°C-on mosható termékekhez. A mosás tényleges hőmérséklete eltérhet a megjelölt értéktől.

A vizsgálószervek számára:

2) Hosszú pamut program: állítsa be a 15-es programot 40 °C-ra.

3) Hosszú szintetikus program: állítsa be a 4-es programot, majd válassza ki az "Extra Wash ^{*}" opciót.

Mindennapi gyors ciklusok

Gyors programoknak egy teljes készlete a leggyakoribb anyagok teljes töltetű mosásához és a leggyakoribb mindennapi szennyeződések eltávolításához 1 óránál rövidebb idő alatt.

Vegyes színes ruhaneműk 59 perc alatt: vegyes és színes ruhaneműk együttes mosásához.

Pamut ruhaneműk 59 perc alatt: elsősorban fehér pamut ruhaneműk mosásához tervezett ciklus. Használható mosóporral is.

Pamut ruhaneműk 45 perc alatt: kényes pamut ruhaneműk mosásához tervezett rövid ciklus.

Szintetikus ruhaneműk 59 perc alatt: kimondottan szintetikus ruhaneműk mosásához. Ellenállóbb szennyeződés esetén a hőmérséklet 60 °C-ig növelhető és használható mosópor is.

Vegyes ruhaneműk 30 perc alatt: Fehér és színes, szintetikus és pamut ruhaneműk együttes mosásához tervezett rövid ciklus.

Expressz 20 perc alatt: a program felfrissíti és illatosítja a ruhaneműket csupán 20 perc alatt.

A hőmérséklet beállítása

A mosási hőmérséklet beállításához forgassa el a HŐMÉRSÉKLET tekerőgombot (lásd *Programtáblázat*).

A hőmérsékletet a hideg vízzel történő mosás hőmérséklet-értékéig lehet csökkenteni (☼).

A készülék automatikusan megakadályozza, hogy az egyes programokhoz maximálisan beállíthatónál magasabb fordulatszámra centrifugáljon.

! Kivétel: a 4 program kiválasztása esetén a hőmérséklet egészen 60°C-ig növelhető.

A centrifugálás beállítása

A kiválasztott programhoz tartozó centrifugálás fordulatszámának beállításához forgassa el a CENTRIFUGÁLÁS tekerőgombot.

A különféle programokhoz beállítható maximális fordulatszámok a következők:

Programok	Maximális fordulatszám
Pamut	1000 fordulat/perc
Műszál	1000 fordulat/perc
Gyapjú	800 fordulat/perc

A centrifugálás fordulatszáma csökkenthető, vagy a ☼ jelre állítással teljesen kikapcsolható.

A készülék automatikusan megakadályozza, hogy az egyes programokhoz maximálisan megengedett fordulatszámánál magasabban centrifugáljon.

Funkciók

A mosógép különféle mosási funkciói lehetővé teszik a kívánt tisztítás és fehérség elérését.

A funkciók bekapcsolásához tegye a következőket:

1. Nyomja meg a kívánt funkció gombját.
2. A megfelelő jelzőlámpa világítása azt jelzi, hogy a hozzá tartozó funkció be van kapcsolva.

Megjegyzés:

- Ha a kiválasztott funkció a beállított programmal nem fér össze, a megfelelő jelzőlámpa villogni kezd, és a funkció nem lesz bekapcsolva.
- Ha a kiválasztott funkció egy korábban beállított programmal nem kompatibilis, az elsőként kiválasztott funkció lámpája villogni kezd, és csak a második funkció lesz bekapcsolva, a bekapcsolt funkció lámpája folyamatosan világít.

Késleltetett indítás

A kiválasztott program késleltetett indításához nyomogassa a megfelelő gombot addig, míg a késleltetés kívánt értékét el nem éri. Ha a funkció be van kapcsolva, a kijelzőn világít a szimbólum. A késleltetett indítás törléséhez nyomogassa a gombot mindaddig, míg a kijelzőn meg nem jelenik az "OFF" felirat.

Extra Wash [✱]

Nagyon koszos ruhaneműk esetén aktiválja az Extra Wash [✱] opciót, amennyiben alkalmazható. Az opció lenyomása esetén a ciklus automatikusan beállítja az összes mosási paramétert és egy hosszabb ideig tartó ciklusra vált. Az opció nem módosítja a hőmérsékletet, míg a centrifuga sebessége automatikusan a legmagasabb értékekre állítódik. A felhasználó mindig beállíthatja a kívánt centrifuga értéket.

Energy Savér [✱]

Az Energy Savér [✱] opció lehetővé teszi a pamut és szintetikus ruhaneműk energiatakarékos mosását, ezzel segítve a környezetet. A takarékoság a mosásból származik, mely hideg vízzel történik fokozott mechanikus hatással és a víz optimális használatával ugyanúgy elérhető a kívánt eredmény. Csak enyhén szennyezett ruhaneműkhöz. Folyékony mosószer használatát javasoljuk.

Mosószerek és mosandók

HU

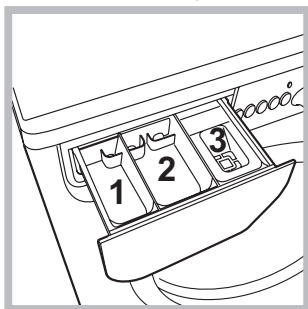
Mosószert adagoló fiók

A mosás eredményessége függ a mosószert helyes adagolásától is: ha túl sokat adagol belőle, a mosás nem lesz hatékonyabb, de hozzájárul ahhoz, hogy lerakódás képződjön a mosógépben, valamint a környezetet is jobban szennyezi.

! Ne használjon kézi mosószert, mert túlzottan sok hab képződik.

! Fehér színű pamut ruhadarabokhoz, előmosáshoz és 60 °C-nál magasabb hőmérsékleten történő mosásokhoz mosóport használjon.

! Kövesse a mosópor csomagolásán feltüntetett utasításokat



Húzza ki a mosószert adagoló fiókot, és a következők szerint tegye bele a mosószert, illetve az adalékot.

1-es rekesz: Mosószert előmosáshoz (por)

2-es rekesz: Mosószert mosáshoz (por vagy folyadék)

A folyékony mosószert csak az indítás előtt lehet betölteni.

3-as rekesz: Adalékok (öblítők stb.)

Az öblítő ne érjen a rács fölé.

Megjegyzés: "Mosószert-tabletták" használata esetén mindig tartsa be a gyártó utasításait.

A mosandó ruhák előkészítése

- Osztályozza a mosandókat a következők szerint:
 - Szövet típusa / címkén lévő szimbólum.
 - Színek Válogassa külön a színes és fehér ruhákat.
- Üritse ki a zsebeket, és vizsgálja meg a gombokat.
- Ne lépje túl a mosandók száraz tömegére vonatkozóan a "Programtáblázat" megadott értékeit.

Milyen nehezek a mosandó ruhák?

- 1 lepedő: 400–500 g
- 1 párnahuzat: 150–200 g
- 1 asztalterítő: 400–500 g
- 1 fürdőköpeny: 900–1200 g
- 1 törölköző: 150–250 g

Különleges bánásmódot igénylő ruhadarabok

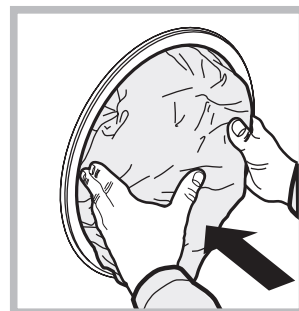
Sportruházat és törölközők: ez a ciklus az összes sportruházat együttes mosására alkalmas, beleértve az edzőtermi törölközőket is. A ciklus nem károsítja a szálakat (tartsa be a ruhaneműk címkéin lévő utasításokat).

A **Sportcipők** programot a sportcipők mosására tervezték. A legjobb eredmény érdekében ne mosson egyszerre 1 párnál többet.

Javasoljuk, hogy a cipők behelyezése előtt kösse össze a cipőfűzőket.

Baba: ez a ciklus a babaruhák tipikus szennyeződéseinél az eltávolítására alkalmas és hatékonyabban távolítja el az esetleges mosószert-maradékokat is.

Tollal bélelt holmik: libatollal bélelt ruhadarabok, illetve egyszemélyes (1 kg-nál könnyebb) tollpaplánok, tollpárnák, tollkabátok mosásához használja az ehhez való, **12-es**. Ajánlott a tollal bélelt holmikát szélükkel a forgódob belseje felé összehajtva behelyezni (lásd ábrák), a forgódobot pedig lehetőleg ne töltsse túl annak ¾-énél. Az optimális mosási eredmény eléréséhez ajánlatos folyékony mosószert használni, melyet a mosószert adagoló fiókba kell adagolni.



Gyapjú: A **13-os** programmal gyapjúholmikát lehet mosni, azokat is, melyek címkéjén a „csak kézzel mosható” utasítás szerepel. A legjobb eredmény elérése érdekében használjon speciális mosószert, és ne lépje túl az 1 kg ruhatöltetet.

Selyem: az összes selyem ruhadarab mosásához használja az ehhez való, **14-es** programot! A kényesebb ruhaneműkhöz tanácsos speciálisan rájuk kifejlesztett mosószert használni.

Függönyök: hajtogatva tegye párnahuzatba (vászonzsákba) vagy hálós zacskóba. Használja a **14-es** programot.

A bepakolt ruhák kiegyensúlyozására szolgáló rendszer

A túlzott zajhatás megelőzésére, valamint a mosandók egyenletes eloszlása érdekében a forgódob a centrifugafázis előtt a mosási centrifugasebességnél kicsit nagyobb sebességre kapcsol. Amennyiben a töltet kiegyensúlyozására irányuló próbálkozások nem vezetnek eredményre, a készülék az elméleti centrifugasebességnél lassabb centrifugálásra kapcsol. Jelentős kiegyensúlyozatlanság esetén a mosógép, centrifugálás előtt megpróbálja a töltetet megfelelően elosztani. A töltet megfelelő eloszlásának biztosítása érdekében ajánlatos a nagy ruhaneműket a kicsikkel összekeverni.

Előfordulhat, hogy a mosógép nem működik. Mielőtt felhívna a szervizt (lásd „Szerviz”), ellenőrizze, hogy nem olyan problémáról van-e szó, amely a következő lista segítségével egyszerűen megoldható!

Rendellenességek:

Lehetséges okok / megoldás:

A mosógép nem kapcsol be.

- A hálózati csatlakozódugó nincs bedugva az aljzatba, vagy nem eléggé ahhoz, hogy jól érintkezzen.
- Nincs áram a lakásban.

A mosási ciklus nem indul el.

- A mosógép ajtaja nincs jól bezárva.
- Nem nyomta meg a ON/OFF gombot.
- Nem nyomta meg az START/PAUSE gombot.
- A vízcsap nincs nyitva.
- Az indítás időjelzőjén késletetés lett beállítva – késletetésidőzítítő.

A mosógép nem kap vizet (a kijelzőn a “H2O” felirat villog).

- A vízbevezető cső nincs csatlakoztatva a csaphoz.
- A cső meg van törve.
- A vízcsap nincs nyitva.
- A lakásban nincs víz.
- Nincs elegendő nyomás.
- Nem nyomta meg az START/PAUSE gombot.

A mosógép folytonosan szívja, és üríti a vizet.

- A leeresztőcső nem a padlószinttől 65 és 100 cm közötti magasságban van felszerelve (lásd „Üzembe helyezés”).
- A leeresztőcső vége vízbe merül (lásd „Üzembe helyezés”).
- A fali szifonnak nincs szellőzése.

Ha ezen vizsgálatok után a probléma nem oldódik meg, zárja el a vízcsapot, kapcsolja ki a mosógépet, és hívja ki a szervizszolgálatot. Ha a lakás egy épület legfelsőbb emeleteinek egyikén található, lehetséges, hogy a csatornaszellőző eltömődésének jelensége (szivornyahatás) lépett fel, ezért a mosógép folytonosan szívja, és leereszti a vizet. E kellemetlenség elkerülésére a kereskedelmi forgalomban rendelkezésre állnak csatornaszellőző-szelepek.

A mosógép nem üríti le a vizet, vagy nem centrifugál.

- A program nem ereszti le a vizet: néhány programnál a vizet kézzel kell leereszteni.
- A leeresztőcső meg van törve (lásd „Üzembe helyezés”).
- A lefolyó el van dugulva.

A mosógép nagyon rázkódik a centrifugálás alatt.

- Az üzembe helyezéskor a forgódob rögzítése nem lett eltávolítva (lásd „Üzembe helyezés”).
- A készülék nincs vízszintben (lásd „Üzembe helyezés”).
- A mosógép bútorok és falak közé van szorítva (lásd „Üzembe helyezés”).

A mosógépből elfolyik a víz.

- A vízbevezető cső nincs jól felcsavarva (lásd „Üzembe helyezés”).
- A mosószer-adagoló fiók eltömődött (tisztításához lásd „Karbantartás és ápolás”).
- A leeresztőcső nincs szorosan rögzítve (lásd „Üzembe helyezés”).

Az „funkció” lámpák és az „START/PAUSE” lámpa villog, az egyik „folyamatban lévő fázis” lámpa és az „ajtózár” lámpa állandó fénnel világít.

- Kapcsolja ki a készüléket, és húzza ki a dugót a konnektorból, várjon körülbelül 1 percet, majd indítsa újra!
Ha a hiba továbbra is fennáll, forduljon a szervizhez!

Sok hab képződik.

- A mosószer nem mosógépekhez való (kell, hogy szerepeljen rajta, hogy „gépi”, „kézi vagy gépi mosáshoz”, vagy hasonló).
- Túl sok mosószert használt.

Mielőtt a szervizhez fordulna:

- Győződjön meg arról, hogy a hibát nem tudja saját maga is elhárítani (lásd „Rendellenességek és elhárításuk”);
- Indítsa újra a programot, hogy lássa, elhárította-e a hibát;
- Ellenkező esetben forduljon az engedéllyel rendelkező szakszervizhez a garanciajegyen található telefonszámon.

! Soha ne forduljon engedéllyel nem rendelkező szerelőhöz!

Közölje:

- a meghibásodás jellegét;
- a mosógép típusát (Mod.);
- a gyártási számot (S/N).

Ezek az adatok a mosógép hátoldalán, illetve az elülső oldalon az ajtó belsején elhelyezett adattáblán található.

A BIZOTTSÁG 1061/2010/EU FELHATALMAZÁSON ALAPULÓ RENDELETE	
Márka	INDESIT
Típusazonosító	EWSD 51051 W EU
Előírt kapacitás a pamut kg-jában kifejezve.	5
Energiahatékonysági osztály A+++ (alacsony fogyasztás) osztálytól G (magas fogyasztás) osztályig.	A+
Éves energiafogyasztás kWh/év-ben kifejezve. ¹⁾	166
A normál 60 °C-os pamutprogram teljes töltet melletti energiafogyasztása kWh-ban. ²⁾	0.92
A normál 60 °C-os pamutprogram részleges töltet melletti energiafogyasztása kWh-ban. ²⁾	0.635
A normál 40 °C-os pamutprogram részleges töltet melletti energiafogyasztása kWh-ban. ²⁾	0.54
Energiafogyasztás kikapcsolt üzemmódban W-ban.	0.5
Energiafogyasztás bekapcsolva hagyott üzemmódban W-ban.	8
Éves vízfogyasztás literben. ³⁾	7550
Centrifugálási hatékonysági osztály G osztálytól (alacsony hatékonyság) A osztályig (magas hatékonyság).	C
Maximálisan elérhető centrifugálási sebesség. ⁴⁾	1000
Megmaradó nedvességtartalom. ⁵⁾	62.0%
Programidő a teljes töltetű „normál 60 °C-os pamutprogramon” percben kifejezve és percre kerekítve.	220
Programidő a részleges töltetű „normál 60 °C-os pamutprogramon” percben kifejezve és percre kerekítve.	165
Programidő a részleges töltetű „normál 40 °C-os pamutprogramon” percben kifejezve és percre kerekítve.	160
A bekapcsolva hagyott üzemmód időtartama.	30
Zajkibocsátás dB(A)-ben kifejezve 1 pW hangteljesítményre vonatkoztatva mosás esetén. ⁶⁾	60
Zajkibocsátás dB(A)-ben kifejezve 1 pW vonatkoztatva centrifugálás esetén. ⁶⁾	80
Beépíthető modell.	

¹⁾ A „normál 60 °C-os pamutprogram” teljes és részleges töltet mellett és a „normál 40 °C-os pamutprogram” részleges töltet mellett az a normál mosási program, amelyre a címkén és az adatlapon található tájékoztatás vonatkozik. E programok alkalmasak az átlagosan szennyezett pamut ruhanemű mosására, illetve hogy az energia- és vízfogyasztás szempontjából együtt ezek a leghatékonyabb programok. A részleges töltet a felét jelenti az előírt töltetnek.

²⁾ A 60 °C-os és 40 °C-os pamutprogram esetében teljes és részleges töltet mellett 220 normál mosási cikluson és az alacsony villamosenergia-fogyasztású üzemmódokon alapul. A tényleges energiafogyasztás a készülék üzemeltetési módjától függ.

³⁾ A 60 °C-os és 40 °C-os pamutprogram esetében teljes és részleges töltet mellett 220 normál mosási cikluson alapul. A tényleges vízfogyasztás a készülék üzemeltetési módjától függ.

⁴⁾ A normál 60 °C-os pamutprogram esetén teljes és részleges töltet mellett vagy a normál 40 °C-os pamutprogram esetén részleges töltet mellett elért legnagyobb centrifugálási sebesség attól függően, hogy melyik az alacsonyabb.

⁵⁾ A normál 60 °C-os pamutprogram esetén teljes és részleges töltet mellett vagy normál 40 °C-os pamutprogram esetén részleges töltet mellett elért maradék nedvességtartalom attól függően, hogy melyik a nagyobb.

⁶⁾ A normál 60 °C-os pamutprogram mosási és centrifugálási fázisa esetében teljes töltet mellett

RO

Română

EWSD 51051

Sumar

Instalare, 50-51

Despachetare și punere la nivel
Racorduri hidraulice și electrice
Primul ciclu de spălare
Date tehnice

Întreținere și curățare, 52

Întreruperea alimentării cu apă și curent electric
Curățarea mașinii de spălat
Curățarea compartimentului pentru detergent
Îngrijirea ușii și a tamburului
Curățarea pompei
Controlarea furtunului de alimentare cu apă

Precauții și sfaturi, 53

Norme de protecție și siguranță generale
Aruncarea reziduurilor

Descrierea mașinii de spălat și activarea unui program, 54-55

Panoul de control
Indicatoare luminoase
Activarea unui program

Programe, 56

Tabel de programe
Cicluri zilnice rapide

Personalizare, 57

Reglarea temperaturii
Reglarea centrifugării
Funcții

Detergenți și rufe albe, 58

Compartimentul pentru detergenți
Pregătirea rufelor
Programe optionale
Sistemul de echilibrare a încărcăturii

Anomalii și remedii, 59

Asistență, 60

Instalare

RO

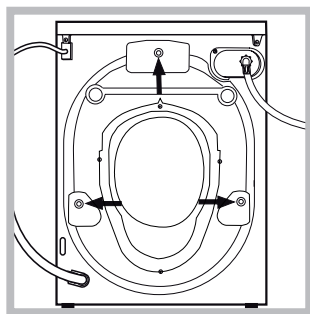
! Este important să păstrați acest manual pentru a-l putea consulta în orice moment. În caz de vânzare, de cesiune sau de schimbare a locuinței, acesta trebuie să rămână împreună cu mașina de spălat pentru a informa noul proprietar cu privire la funcționare și la respectivele avertismente.

! Citiți cu atenție instrucțiunile: veți găsi informații importante cu privire la instalare, la folosire și la siguranță.

Despachetare și punere la nivel

Despachetare

1. Scoaterea din ambalaj a mașinii de spălat.
2. Controlați ca mașina de spălat să nu fi fost deteriorată în timpul transportului. Dacă este deteriorată nu o conectați și luați legătura cu vânzătorul.



3. Scoateți cele 3 șuruburi de protecție pentru transport și cauciucul cu respectivul distanțier, situate în partea posterioară (a se vedea figura).

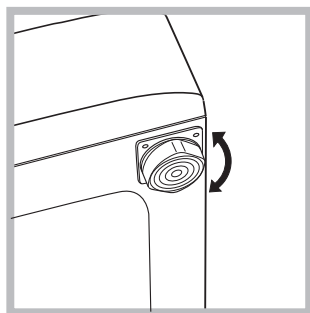
4. Închideți orificiile cu dopurile din plastic aflate în dotare.

5. Păstrați toate piesele: pentru cazul în care mașina de spălat va trebui să fie transportată, piesele vor trebui montate din nou.

! Ambalajele nu sunt jucării pentru copii!

Punere la nivel

1. Instalați mașina de spălat pe o suprafață plană și rigidă, fără a o sprijini de ziduri, mobilă sau altceva.



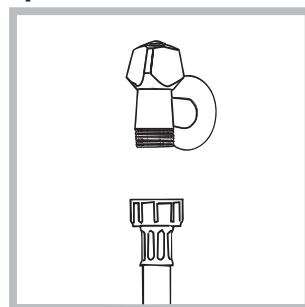
2. Dacă podeaua nu este perfect orizontală, compensați neregularitățile deșurubând sau înșurubând piciorușele anterioare (a se vedea figura); unghiul de înclinare, măsurat pe planul de

lucru, nu trebuie să depășească 2°.

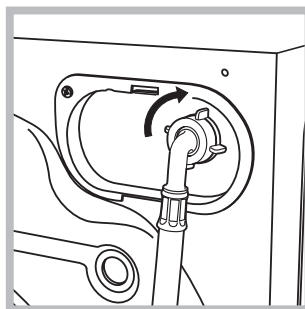
O nivelare precisă conferă stabilitate mașinii și evită vibrații, zgomote și deplasări pe timpul funcționării. În cazul mochetelor sau a unui covor, reglați piciorușele astfel încât să mențineți sub mașina de spălat un spațiu suficient pentru ventilare.

Racorduri hidraulice și electrice

Racordarea furtunului de alimentare cu apă



1. Conectați tubul de alimentare, înșurubându-l la un robinet de apă rece cu gura filetată de 3/4 gaz (a se vedea figura). Înainte de conectare, lăsați apa să curgă până când nu a devenit limpede.



2. Conectați tubul de alimentare la mașina de spălat, înșurubându-l la sursa de apă respectivă, amplasată în partea posterioară, sus în dreapta (a se vedea figura).

3. Fiți atenți ca furtunul să nu fie nici pliat nici îndoit.

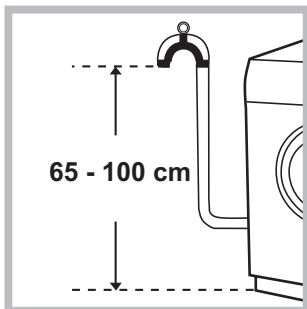
! Presiunea apei de la robinet trebuie să fie cuprinsă în valorile din tabelul Date tehnice (a se vedea pagina alăturată).

! Dacă lungimea furtunului de alimentare nu este suficientă, adresați-vă unui magazin specializat sau unui instalator autorizat.

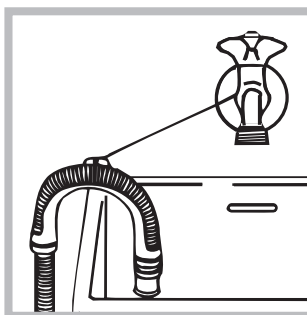
! Nu folosiți niciodată tuburi folosite deja.

! Utilizați tuburile furnizate împreună cu mașina.

Conectarea furtunului de golire



Conectați furtunul de golire - fără a-l îndoi - la canalizare sau la racordul de golire prevăzut pe perete, la o înălțime de 65 - 100 cm de sol;



Sprijiți-l de marginea căzii sau chiuvetei și racordați șina de ghidare din dotare la robinet (*a se vedea figura*). Capătul liber al furtunului de golire nu trebuie să rămână cufundat în apă.

! Nu se recomandă folosirea furtunurilor prelungitoare; dacă este indispensabil, acestea trebuie să aibă același diametru ca și furtunul original și nu trebuie să depășească 150 cm lungime.

Racordarea electrică

Înainte de a introduce stecherul în priză, asigurați-vă ca:

- priza să fie cu împământare și conform prevederilor legale;
- priza să poată suporta sarcina maximă de putere a mașinii, indicată în tabelul Date Tehnice (*a se vedea alături*);
- tensiunea de alimentare să fie cuprinsă în valorile indicate în tabelul Date Tehnice (*a se vedea alături*);
- priza să fie compatibilă cu stecherul mașinii de spălat. În caz contrar înlocuiți stecherul.

! Mașina de spălat nu trebuie instalată afară, nici chiar în cazul în care spațiul este adăpostit, deoarece este foarte periculoasă expunerea mașinii la ploi și furtuni.

! După instalarea mașinii de spălat, priza de curent trebuie să fie ușor accesibilă.

! Nu folosiți prelungitoare și prize multiple.

! Cablul nu trebuie să fie îndoit sau comprimat.



! Cablul de alimentare trebuie să fie înlocuit doar de tehnicienii autorizați ai centrului de service ce apare scris pe certificatul de garanție emis de producător.

Atenție! Producătorul își declină orice responsabilitate în cazul în care aceste norme nu se respectă.

Primul ciclu de spălare

După instalare, înainte de folosire, efectuați un ciclu de spălare cu detergent și fără rufe, selectând programul 2.

Date tehnice

Model	EWSD 51051
Dimensiuni	lățime 59,5 cm înălțime 85 cm profundime 42,4 cm
Capacitate	de la 1 la 5 kg
Legături electrice	Vezi placuta cu caracteristicile tehnice, aplicata pe masina.
Legături hidrice	presiune maximă 1 MPa (10 bari) presiune minimă 0,05 MPa (0,5 bari) capacitatea cuvei 40 litri
Viteza de centrifugare	până la 1000 de rotații pe minut
Programe de control conform reglementările 1061/2010 și 1015/2010	Programul 15: Eco bumbac 60°C. Programul 15: Eco bumbac 40°C.
 	Acest aparat este conform cu următoarele Directive Comunitare: - 2004/108/CE (Compatibilitate Electromagnetică) - 2006/95/CE (Tensiuni Joase) - 2012/19/EU - WEEE

Întreținere și curățare

RO

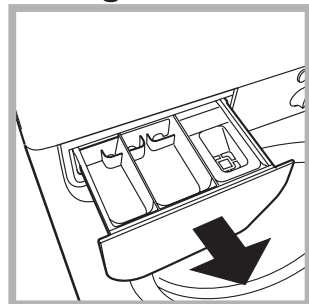
Înteruperea alimentării cu apă și curent electric

- Închideți robinetul de apă după fiecare spălare. Se limitează astfel uzura instalației hidraulice a mașinii de spălat și se elimină pericolul scurgerilor.
- Scoateți stecherul din priza de curent atunci când curățați mașina de spălat și când se efectuează lucrări de întreținere.

Curățarea mașinii de spălat

Partea externă și părțile din cauciuc pot fi curățate cu o lavetă înmuiată în apă caldă și săpun. Nu folosiți solvenți sau substanțe abrazive.

Curățarea compartimentului pentru detergent



Trageți afara compartimentul ridicându-l și tragându-l spre exterior (a se vedea figura). Spălați-l sub un jet de apă; această operație trebuie efectuată cât mai des posibil.

Îngrijirea ușii și a tamburului

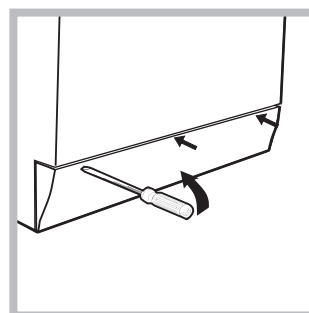
- Lăsați mereu ușa întredeschisă pentru a evita formarea de mirosuri neplăcute.

Curățarea pompei

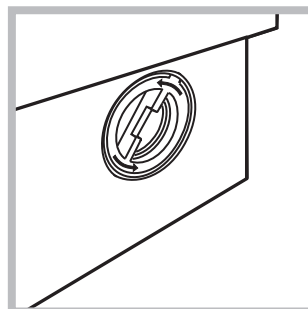
Mașina de spălat este dotată cu o pompă de autocurățare care nu are nevoie de întreținere. Se poate întâmpla însă ca unele obiecte mici (monede, nasturi) să cadă în anticamera care protejează pompa, situată în partea inferioară a acesteia.

! Verificați ca ciclul de spălare să fie încheiat și scoateți stecherul din priză.

Pentru a avea acces la anticameră:



1. scoateți panoul de acoperire din partea din față a mașinii de spălat folosind o șurubelniță (a se vedea figura);



2. deșurubați capacul rotindu-l în sens invers acelor de ceasornic (a se vedea figura). Este normal să iasă puțină apă;

3. curățați cu grijă interiorul;
4. înșurubați la loc capacul;
5. montați din nou panoul verificând, înainte de a-l împinge spre mașină, de a fi introdus cârligele în orificiile respective.

Controlarea furtunului de alimentare cu apă

Controlați tubul de alimentare cel puțin o dată pe an. Dacă prezintă crăpături sau fisuri trebuie înlocuit: pe parcursul spălărilor, presiunea puternică ar putea provoca crăpături neașteptate.

! Nu folosiți niciodată tuburi folosite deja.

! Mașina de spălat a fost proiectată și construită conform normelor internaționale de protecție. Aceste avertizări sunt furnizate din motive de siguranță și trebuie să fie citite cu atenție.

Norme de protecție și siguranță generale

- Acest aparat a fost conceput exclusiv pentru utilizarea în locuințe unifamiliale.
- Aparatul poate fi folosit de copii începând cu vârsta de 8 ani și de persoane cu capacități fizice, senzoriale sau mentale reduse sau cu experiență și cunoștințe insuficiente dacă sunt supravegheate sau dacă au primit o pregătire adecvată privind folosirea aparatului în mod sigur și înțelegând pericolele respective. Copiii nu trebuie să se joace cu aparatul. Întreținerea și curățarea nu trebuie să fie efectuate de copii fără supraveghere.
- Nu atingeți mașina când sunteți desculți sau cu mâinile sau picioarele ude sau umede.
- Nu scoateți stecherul din priză trăgând de cablu.
- Nu deschideți compartimentul pentru detergent în timp ce mașina se află în funcțiune.
- Nu atingeți apa goliță din mașină: poate avea o temperatură ridicată.
- Nu forțați în nici un caz ușa: s-ar putea deteriora mecanismul de siguranță care evită deschiderea accidentală.
- În caz de defecțiune, nu umblați în nici un caz la mecanismele din interior și nu încercați să o reparați singuri.
- Controlați mereu ca în apropierea mașinii aflate în funcțiune, să nu se afle copii.
- Pe durata spălării ușa se poate încălzi.
- Dacă trebuie să deplasați mașina, cereți ajutor unei alte (sau 2) persoane și fiți foarte atenți. Niciodată nu deplasați mașina singuri deoarece aceasta este foarte grea.
- Înainte de a introduce rufele, controlați cuva să fie goală.

Aruncarea reziduurilor

- Eliminarea ambalajelor: respectați normele locale, în acest fel ambalajele vor putea fi utilizate din nou.
- Directiva Europeană 2012/19/EU - WEEE cu privire la deșeurile care provin de la aparatura electrică sau electronică prevede ca aparatele electrocasnice să nu fie colectate împreună cu deșeurile urbane solide, obișnuite. Aparatele scoase din uz trebuie să fie colectate separat atât pentru a optimiza rata de recuperare și de reciclare a materialelor componente cât și pentru a evita pericolele care pot duce la dăunarea sănătății omului sau poluarea mediului înconjurător. Simbolul tomberonului tăiat care apare pe toate produsele vă amintește tocmai obligația de a le colecta separat.

Pentru informații suplimentare cu privire la scoaterea din uz a electrocasnicelor, deținătorii acestora pot apela la centrele de colectare a deșeurilor sau la vânzătorii de la care au achiziționat produsele respective.

Atenționări în conformitate cu legislația în vigoare

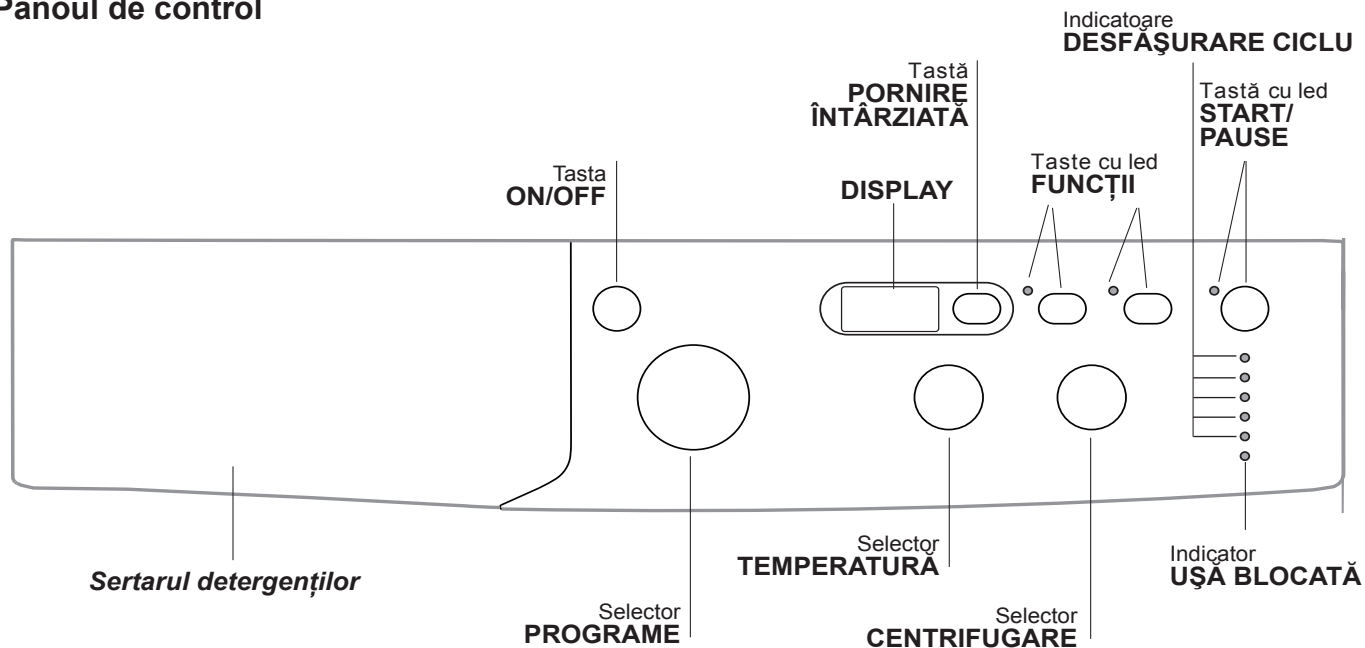
- Conform prevederilor legislației privind gestionarea deșeurilor, este interzisă eliminarea deșeurilor de echipamente electrice și electronice (DEEE) alături de deșeurile municipale nesortate. Ele trebuie predate la punctele municipale de colectare, societățile autorizate de colectare/reciclare sau distribuitori (în cazul în care se achiziționează echipamente noi de același tip).
- Autoritățile locale trebuie să asigure spațiile necesare pentru colectarea selectivă a deșeurilor precum și funcționalitatea acestora. Contactați societatea de salubritate sau compartimentul specializat din cadrul primăriei pentru informații detaliate.
- Deșeurile de echipamente electrice și electronice pot fi predate și distribuitorilor, la achiziționarea de echipamente noi de același tip (schimb 1 la 1).
- Predarea, de către utilizatori, a deșeurilor de echipamente electrice și electronice, la punctele de colectare municipale, societățile autorizate de colectare/reciclare sau distribuitori (în cazul în care se achiziționează echipamente noi de același tip) facilitează re folosirea, reciclarea sau alte forme de valorificare a acestora.
- Deșeurile de echipamente electrice și electronice pot conține substanțe periculoase care pot avea un impact negativ asupra mediului și sănătății umane în cazul în care DEEE nu sunt colectate selectiv și gestionate conform prevederilor legale.
- Simbolul alăturat (o pubela cu roți, barata cu două linii în forma de X), aplicat pe un echipament electric sau electronic, semnifică faptul că acesta face obiectul unei colectări separate și nu poate fi eliminat împreună cu deșeurile municipale nesortate.



Descrierea mașinii de spălat și activarea unui program

RO

Panoul de control



Sertarul detergenților: pentru a introduce detergenți sau aditivi (a se vedea “Detergenți și rufe albe”).

Tasta ON/OFF: pentru a porni și opri mașina.

Selector PROGRAME: pentru a selecta programele. Pe durata desfășurării programului selectorul rămâne în aceeași poziție.

Taste cu led FUNCȚII: pentru a selecta funcțiile disponibile. Indicatorul corespunzător funcției alese va rămâne aprins.

Selector CENTRIFUGARE: pentru a activa / anula centrifugarea (a se vedea “Personalizare”).

Selector TEMPERATURĂ: pentru a selecta temperatura sau spălarea la rece (a se vedea “Personalizare”).


DISPLAY: pentru a afișa durata diferitelor programe la dispoziție și a celui restant, în cazul unui ciclu de spălare deja în desfășurare; dacă a fost programat un interval de PORNIRE ÎNTÂRZIATĂ, este afișat intervalul restant până la pornirea programului selectat.

Tastă PORNIRE ÎNTÂRZIATĂ : apăsați pentru a programa pornirea mașinii la o anumită oră. Întârzierea va fi indicată pe display.

Indicatoare DESFĂȘURARE CICLU: pentru a putea urmări avansarea programului de spălare. Indicatorul aprins arată faza în curs de desfășurare.

Indicador UȘĂ BLOCATĂ: pentru a înțelege dacă ușa se poate deschide sau nu (a se vedea pag. alăturată).

Tastă cu led START/PAUSE: pentru a activa / opri momentan programele.

N.B.: pentru a întrerupe momentan un ciclu apăsați această tastă; ledul se va aprinde intermitent (culoare portocalie) în timp ce ledul corespunzător fazei în curs de desfășurare va rămâne aprins. Dacă indicatorul UȘĂ BLOCATĂ  este stins, atunci ușa se poate deschide (așteptați aproximativ 3 minute).

Pentru a continua spălarea, de unde a fost întreruptă, apăsați din nou tasta.

Modalitatea de stand by

Această mașină de spălat rufe, conform noilor norme legate de economia de curent electric, este dotată cu un sistem de oprire automat (stand-by) care intră în funcțiune după 30 minute de neutilizare. Apăsați scurt tasta ON/OFF și așteptați repunerea în funcțiune a mașinii.

Indicatoare luminoase

Ledurile furnizează informații importante. Iată ce indică:

Indicatoare de fază

După alegerea și activarea ciclului dorit, indicatoarele luminoase se vor aprinde unul după altul, ceea ce vă indică starea de avansare a programului:

Spălare	●	
Clătire	●	
Centrifugă	●	
Golire	●	
Sfârșit Spălare	●	END

Tastele de funcții și ledurile corespunzătoare

Alegerea unei funcții implică aprinderea ledului corespunzător.


Dacă funcția selectată nu este compatibilă cu programul ales, ledul corespunzător se va aprinde intermitent iar funcția nu se va activa.

Dacă funcția aleasă nu este compatibilă cu o funcție selectată anterior, indicatorul care corespunde primei funcții va emite un semnal intermitent iar indicatorul celei de a doua se va aprinde: acest lucru înseamnă că se va activa numai a doua funcție (ultima aleasă).

Indicator ușă blocată:

Aprinderea ledului indică faptul că hubloul s-a blocat, pentru a împiedica deschiderea sa; pentru a putea deschide hubloul, (așteptați aproximativ 3 minute), până la stingerea ledului. Pentru a deschide hubloul în timpul executării unui ciclu, apăsați tasta START/PAUSE; dacă ledul UȘĂ BLOCATĂ este stins, atunci puteți deschide hubloul.

Activarea unui program

1. Porniți mașina de spălat apăsând pe tasta ON/OFF. Toate indicatoarele se aprind câteva secunde, apoi se sting; indicatorul START/PAUSE se va aprinde intermitent.
2. Introduceți rufe și închideți ușa.
3. Selectați programul dorit cu ajutorul selectorului de PROGRAME.
4. Reglați temperatura de spălare (a se vedea "Personalizare").
5. Reglați viteza de centrifugare (a se vedea "Personalizare").
6. Adăugați detergentul și aditivii (a se vedea "Detergenți și rufe").
7. Alegeți funcțiile dorite.
8. Activați programul apăsând tasta START/PAUSE; indicatorul luminos se va aprinde (culoare verde). Pentru a anula un ciclu selectat, apăsați tasta START/PAUSE pentru a întrerupe momentan ciclul și alegeți un nou program.
9. La încheierea programului, indicatorul luminos END se va aprinde. După stingerea ledului corespunzător avertizării de UȘĂ BLOCATĂ , este posibilă deschiderea hubloului (așteptați aproximativ 3 minute). Scoateți rufe și lăsați ușa întredeschisă pentru a se putea usca cuva și tamburul. Opriti mașina de spălat apăsând pe tasta ON/OFF.

Programe

RO

Tabel de programe

Programe	Descrierea Programului	Temp. max. (°C)	Viteza max. (rotații pe minut)	Detergenți			Sarcina Max. (Kg)	Umiditate reziduală %	Consum energie kWh	Apă totală lt	Durata ciclului de spălare
				Pres-pălare	Spălare	Balsam rufe					
EVERYDAY FAST											
1	Mix Colorate 59'	40°	1000	-	●	●	5	-	-	-	59'
2	Bumbac 59'	60°	1000	-	●	●	5	-	-	-	59'
3	Bumbac 45'	40°	1000	-	●	●	2,5	-	-	-	45'
4	Sintetice 59' (3)	40° (Max. 60°)	1000	-	●	●	3	44	0,72	36	59'
5	Mix 30'	30°	800	-	●	●	3	71	0,16	27	30'
6	Express 20'	20°	800	-	●	●	1,5	-	-	-	20'
Special & Partial											
7	Îmbrăcăminte sportivă	40°	600	-	●	●	2,5	-	-	-	**
8	Încălțăminte sportivă	30°	600	-	●	●	(Max 1 perechi.)	-	-	-	**
9	Baby	40°	800	-	●	●	2	-	-	-	**
10	Clătire	-	1000	-	-	●	5	-	-	-	**
11	Centrifugare + Evacuare	-	1000	-	-	-	5	-	-	-	**
11	Numai golire *	-	⊘	-	-	-	5	-	-	-	**
Dedicated											
12	Pilote: pentru articole captușite cu puf de gâscă.	30°	1000	-	●	●	1	-	-	-	**
13	Lână: Pentru articole din lână, cașmir.	40°	800	-	●	●	1	-	-	-	**
14	Mătase /Perdele: Pentru articolele din mătase, viscoză, lenjerie.	30°	0	-	●	●	1	-	-	-	**
15	Eco Bumbac 60°C (1): Albe și colorate rezistente foarte murdare.	60°	1000	-	●	●	5	62	0,92	47,5	220'
15	Eco Bumbac 40°C (2): Albe și colorate delicate puțin murdare.	40°	1000	-	●	●	5	62	0,66	66	215'
16	Prespalare Bumbac: Rufe albe foarte murdare.	90°	1000	●	●	●	5	-	-	-	**

* Dacă selectați programul 11 și excludeți centrifugarea, mașina va face doar evacuarea.

** Puteți vizualiza durata programelor de spălare pe display.

Durata ciclului indicată pe display sau în carte este calculată în baza unor condiții standard. Timpul efectiv poate varia în baza a numeroși factori, precum temperatura și presiunea apei la intrare, temperatura mediului, cantitatea de detergent, cantitatea și tipul încărcăturii, echilibrarea încărcăturii, opțiunile suplimentare selectate.

1) Programul de control conform reglementările 1061/2010: selectați programul 15 și temperatura de 60°C.

Acest ciclu este potrivit pentru curățarea unei încărcături de bumbac cu grad de murdărie normal și este cel mai eficient din punct de vedere al consumului combinat de energie și apă; se folosește pentru articole de îmbrăcăminte care pot fi spălate la 60°C. Temperatura efectivă de spălare poate diferi de cea indicată.

2) Programul de control conform reglementările 1061/2010: selectați programul 15 și temperatura de 40°C.

Acest ciclu este potrivit pentru curățarea unei încărcături de bumbac cu grad de murdărie normal și este cel mai eficient din punct de vedere al consumului combinat de energie și apă; se folosește pentru articole de îmbrăcăminte care pot fi spălate la 40°C. Temperatura efectivă de spălare poate diferi de cea indicată.

Pentru toate Instituțiile de Testare:

2) Program pentru bumbac, prelungit: selectați programul 15 și temperatura de 40°C.

3) Program sintetic lung: setați programul 4 apoi selectați opțiunea "Extra Wash *".

Cicluri zilnice rapide

Un set complet de programe rapide pentru a spăla la întreaga capacitate țesuturile obișnuite și pentru a îndepărta murdăria zilnică frecventă în mai puțin de 1 oră.

Mix Colorate 59': pentru a spăla rufe mixte și colorate împreună.

Bumbac 59': ciclu conceput pentru a spăla rufe din bumbac, în special albituri. Se poate utiliza și cu detergent praf.

Bumbac 45': ciclu scurt conceput pentru a spăla rufe de bumbac delicate.

Sintetice 59': specific pentru a spăla rufe sintetice. În prezența unei murdării mai rezistente, se poate mări temperatura până la 60° și se poate utiliza și un detergent praf.

Mix 30': ciclu scurt conceput pentru a spăla rufe mixte de bumbac și șesături sintetice, albe și colorate împreună.

Express 20': programul care împrăștează rufe tale, făcându-le să devină parfumate în doar 20 de minute.

Reglarea temperaturii

Rotind selectorul de TEMPERATURĂ se fixează temperatura de spălare (a se vedea Tabelul programelor).

Temperatura poate fi redusă până la spălarea la rece (❄).

Mașina va împiedica în mod automat de a alege o temperatură mai mare decât maxima admisă pentru fiecare program.

! Excepție: dacă selectați programul 4 temperatura poate fi crescută până la 60°.

Reglarea centrifugării

Rotind selectorul de CENTRIFUGARE se stabilește viteza de stoarcere pentru programul selectat.

Vitezele maxime, prevăzute pentru programe sunt:

Programe	Viteză maximă
Bumbac	1000 rotații pe minut
Sintetice	1000 rotații pe minut
Lână	800 rotații pe minut

Viteza de centrifugaare poate fi redusă sau centrifugarea poate fi exclusă selectând simbolul (⊘).

Mașina va împiedica în mod automat alegerea unei viteze mai mari decât maxima admisă pentru fiecare program.

Funcții

Diferitele funcții de spălare prevăzute pentru mașina de spălat, permit obținerea unor rufe curate și albe, după dorință.

Pentru a activa funcțiile:

1. apăsați tasta corespunzătoare funcției dorite;
2. aprinderea ledului respectiv indică activarea funcției.

Notă:

- Dacă funcția selectată nu este compatibilă cu programul ales, ledul corespunzător se va aprinde intermitent iar funcția nu se va activa.
- Dacă funcția aleasă nu este compatibilă cu o funcție selectată anterior, indicatorul care corespunde primei funcții va emite un semnal intermitent iar indicatorul celei de a doua se va aprinde: acest lucru înseamnă că se va activa numai a doua funcție (ultima aleasă).

Pornirea întârziată

Pentru a programa pornirea întârziată a mașinii, apăsați tasta respectivă pentru a alege timpul de întârziere dorit. Când opțiunea este activă, pe ecran se va aprinde simbolul . Pentru a anula pornirea întârziată, apăsați tasta până când pe ecran veți vedea mesajul "OFF".

Extra Wash [✳]

Pentru rufe foarte murdare, activați opțiunea Extra Wash [✳], dacă este compatibilă. Apăsând această opțiune, ciclul readaptează automat toți parametrii de spălare, trecând la un ciclu cu o durată mai lungă. Opțiunea lasă temperatura neschimbată, iar centrifugarea este pusă automat pe nivelurile maxime. Utilizatorul poate regla oricum centrifugarea la valoarea dorită.

Energy Saver [✳]

Opțiunea Energy Saver [✳] îți permite să speli rufe de bumbac și sintetice economisind energie și deci, protejând mediul înconjurător. Economia este generată de spălarea care se efectuează la rece, iar printr-o acțiune mecanică intensificată și o utilizare optimizată a apei se obține oricum rezultatul dorit. Este indicat pentru rufe puțin murdare. Se recomandă folosirea unui detergent lichid.

Detergenți și rufe albe

RO

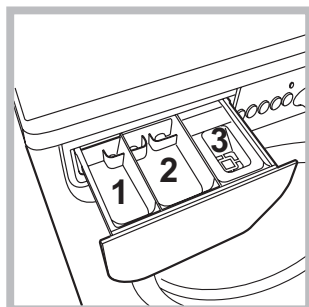
Compartimentul pentru detergenți

Un rezultat bun la spălare depinde și de dozarea corectă a detergentului: excesul de detergent nu garantează o spălare mai eficientă, ci contribuie la deteriorarea părților interne ale mașinii de spălat și la poluarea mediului înconjurător.

! Nu introduceți în mașină detergenții pentru spălarea manuală deoarece formează prea multă spumă.

! Utilizați detergenți praf pentru rufe albe de bumbac, pentru prespălare și pentru spălarea la temperaturi mari de 60°C.

! Respectați indicațiile de pe ambalajul detergentului.



Deschideți compartimentul pentru detergenți și introduceți detergentul sau aditivul după cum urmează:

compartiment 1: Detergent pentru prespălare (sub formă de praf)

compartiment 2: Detergent pentru spălare (sub formă de praf sau lichid)

Detergentul lichid trebuie vărsat doar înainte de pornire.

compartiment 3: Aditivi (soluție de înmuiat, balsam rufe etc.)

Soluția de înmuiat nu trebuie să iasă deasupra grătarului.

Notă: În cazul folosirii "detergentului în tablete" se recomandă să respectați întotdeauna indicațiile producătorului.

Pregătirea rufelor

- Sortați rufe în funcție de:
 - tipul de material / simbolul de pe etichetă.
 - culori: separați rufe colorate de cele albe.
- Goliți buzunarele și controlați nasturii.
- Nu depășiți valorile indicate în "Tabel Programe" referitoare la greutatea rufelor uscate.

Cât cântăresc rufele?

- 1 cearceaf 400-500 g.
- 1 față de pernă 150-200 g.
- 1 față de masă 400-500 g.
- 1 halat de baie 900-1.200 g.
- 1 prosop 150-250 g.

Programe optionale

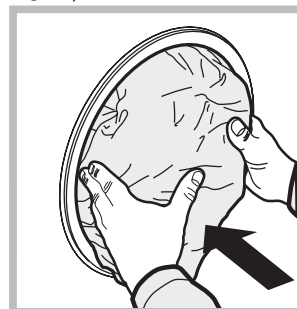
Îmbrăcăminte sportivă: ciclul este adecvat pentru a spăla împreună toate rufe sportive, inclusiv prosopul pentru sala de sport, respectând fibrele (respectați indicațiile de pe eticheta articolelor).


Încălțăminte sportivă: un ciclu studiat pentru a spăla în condiții de totală siguranță până la 1 perechi de încălțăminte de gimnastică împreună.

Se recomandă să strângeți șireturile înainte de a introduce încălțăminte în cuvă.

Baby: ciclul conceput pentru murdăria tipică a hainelor copiilor, îndepărtând eficient și eventualele urme rămase de detergent.

Pilote: pentru a spăla articolele cu căptușeală din puf de gâscă, ca de exemplu, pilotele singură persoană (care nu depășesc 1 kg greutate), pernele, pardesiile, folosiți programul special **12**. Vă recomandăm să introduceți pilotele în cuva mașinii îndoind marginile spre interior (vezi figura) și să nu depășiți $\frac{3}{4}$ din volumul cuvei. Pentru o spălare optimă, vă recomandăm să folosiți un detergent lichid, de dozat în sertarul pentru detergenți.



Lână: cu programul **13** se pot spăla cu mașina toate hainele de lână, inclusiv cele cu eticheta „a se spăla numai manual” . Pentru a obține cele mai bune rezultate, folosiți un detergent specific și nu depășiți 1 kg de rufe.

Mătase: utilizați programul special **14** pentru spălarea articolelor din mătase. Se recomandă folosirea unui detergent special pentru articole delicate.

Perdele: împăturiți-le și așezați-le într-o față de pernă sau într-un sac de tip plasă. Utilizați programul **14**.

Sistemul de echilibrare a încărcăturii

Pentru a evita trepidațiile excesive, înainte de stocare, cuva mașinii va distribui cantitatea de rufe în mod uniform, centrifugând câteva rotații la o viteză mai mare decât viteza de spălare. Dacă, după numeroase încercări, mașina nu reușește să echilibreze greutatea, stocarea rufelor se va face la o viteză mai mică decât cea prevăzută în program. Dacă instabilitatea este prea mare, mașina va distribui greutatea în locul centrifugei. Pentru a favoriza o mai bună repartizare a rufelor și echilibrarea corectă a mașinii, se recomandă să introduceți în mașină atât articole mari cât și mici.

Se poate întâmpla ca mașina de spălat să nu funcționeze. Înainte de a apela serviciul de Service (a se vedea "Asistență"), verificați dacă nu este vorba de o problemă ușor de rezolvat:

Anomalii:

Cauze posibile / Rezolvare:

Mașina de spălat nu pornește.

- Stecherul nu este introdus în priză de curent, sau nu face contact.
- Aveți o pană de curent la domiciliu.

Ciclul de spălare nu pornește.

- Ușa nu este bine închisă.
- Tasta ON/OFF nu a fost apăsată.
- Tasta START/PAUSE nu a fost apăsată.
- Robinetul de apă nu este deschis.
- A fost fixată o întârziere de pornire (a se vedea "Personalizare").

Mașina de spălat nu se alimentează cu apă (pe afișaj se aprinde intermitent mesajul „H2O”).

- Furtunul de alimentare cu apă nu este racordat la robinet.
- Furtunul este îndoit.
- Robinetul de apă nu este deschis.
- Apa la domiciliul dumneavoastră.
- Apa nu are presiune suficientă.
- Tasta START/PAUSE nu a fost apăsată.

Mașina de spălat încarcă și descarcă apă continuu.

- Furtunul de golire nu a fost instalat la o înălțime cuprinsă între 65 și 100 cm de pământ (a se vedea "Instalare").
- Capătul furtunului de evacuare este cufundat în apă (a se vedea "Instalare").
- Evacuarea din perete nu are răsuflare pentru aer.

Dacă după aceste verificări problema nu se rezolvă, închideți robinetul de apă, opriți mașina de spălat și chemați Service-ul. Dacă locuința se află la ultimele etaje ale unui edificiu, este posibil să aibă loc fenomene de sifonare, motiv pentru care mașina de spălat încarcă și descarcă apă încontinuu. Pentru a elimina acest inconvenient, se găsesc în comerț supape anti-sifonare.

Mașina de spălat nu se golește sau nu stoarce.

- Programul nu prevede golirea apei: în cazul anumitor programe, este necesară activarea manuală.
- Furtunul de golire este îndoit (a se vedea "Instalare").
- Conducta de descărcare este înfundată.

Mașina de spălat vibrează foarte mult în timpul stocării.

- Cuva, în momentul instalării, nu a fost deblocată în mod corespunzător (a se vedea "Instalare").
- Mașina de spălat este în pantă (a se vedea "Instalare").
- Mașina de spălat este prea aproape de pereți și mobilier (a se vedea "Instalare").

Mașina de spălat pierde apă.

- Furtunul de alimentare cu apă nu este bine înșurubat (a se vedea "Instalare").
- Compartimentul de detergenți este înfundat (pentru a-l curăța a se vedea "Întreținere și curățare").
- Furtunul de golire nu este bine fixat (a se vedea "Instalare").

Indicatoarele de „Funcții” și „START/PAUSE” sunt intermitente; unul din indicatoarele ptr. „faza în curs” și „ușă blocată” sunt aprinse.

- Opriți mașina și scoateți stecherul din priză; așteptați aproximativ 1 minut înainte de a o reaprinde.
- Dacă nu obțineți nici un rezultat, apelați Centrul de service pentru asistență.

Se formează prea multă spumă.

- Detergentul nu este compatibil cu mașina de spălat (trebuie să fie scris „pentru mașina de spălat”, „de mână sau în mașina de spălat”, sau ceva asemănător).
- Dozajul a fost excesiv.

Asistență

RO

Înainte de a lua legătura cu Service-ul:

- Verificați dacă puteți rezolva singuri problema (*a se vedea "Anomalii și remedii"*);
- Porniți din nou programul pentru a controla dacă inconvenientul a fost eliminat;
- În caz negativ, luați legătura cu asistența tehnică autorizată la numărul telefonic indicat pe certificatul de garanție.

! Nu apelați niciodată la persoane neautorizate.

Comunicați:

- tipul de anomalie;
- modelul mașinii (Mod.);
- numărul de serie (S/N).

Aceste informații sunt specificate pe plăcuța cu date tehnice, lipită în partea din spate a mașinii de spălat precum și în partea anterioară, după ce deschideți ușa.

REGULAMENTUL DELEGAT (UE) NR. 1061/2010 AL COMISIEI	
Marca	INDESIT
Modelul	EWSD 51051 W EU
Capacitatea nominală exprimată în kg de rufe din bumbac	5
Clasa de eficiență energetică pe o scară de la A+++ (consum redus) la G (consum ridicat)	A+
Consumul de energie anual exprimat în kWh ¹⁾	166
Consumul de energie la programul de spălare rufe din bumbac standard la 60 °C la capacitate maximă exprimat în kWh ²⁾	0.92
Consumul de energie la programul de spălare rufe din bumbac standard la 60 °C la capacitate parțială exprimat în kWh ²⁾	0.635
Consumul de energie la programul de spălare rufe din bumbac standard la 40 °C la capacitate parțială exprimat în kWh ²⁾	0.54
Consumul de energie în modul off (oprit) exprimat în W	0.5
Consumul de energie în modul left-on (rămas în funcțiune) exprimat în W	8
Consumul de apă anual exprimat în litri ³⁾	7550
Clasa de eficiență la centrifugare pe o scară de la G (eficiență minimă) la A (eficiență maximă)	C
Numărul maxim de rotații ⁴⁾	1000
Conținutul de apă rămas ⁵⁾	62.0%
Durata programului de spălare rufe din bumbac standard la 60 °C la capacitate maximă exprimată în minute.	220
Durata programului de spălare rufe din bumbac standard la 60 °C la capacitate parțială exprimată în minute.	165
Durata programului de spălare rufe din bumbac standard la 40°C la capacitate parțială exprimată în minute.	160
Durata modului left-on (rămas în funcțiune) exprimată în minute	30
Nivelul de zgomot exprimat în dB(A) re 1 pW spălare ⁶⁾	60
Nivelul de zgomot exprimat în dB(A) re 1 pW centrifugare ⁶⁾	80
Model încorporat	

¹⁾ "Programul de spălare rufe din bumbac standard la 60 °C" la capacitate maximă și parțială și "programul de spălare rufe din bumbac standard la 40 °C" la capacitate parțială sunt programele de spălare standard la care fac referire informațiile de pe etichetă și din fișa produsului. Programul de spălare rufe din bumbac standard la 60 °C și programul de spălare rufe din bumbac standard la 40 °C sunt adecvate pentru spălarea rufelor din bumbac cu grad de murdărie normal și sunt cele mai eficiente programe din punct de vedere al consumului combinat de energie și apă. Încărcarea parțială reprezintă jumătate din încărcarea nominală.

²⁾ Pe baza programelor cu 220 de cicluri de spălare rufe din bumbac standard la 60°C și 40°C la încărcare maximă și parțială, și a consumului modurilor cu consum redus. Consumul real de energie va depinde de modul în care este utilizat aparatul.

³⁾ Pe baza programelor cu 220 de cicluri de spălare rufe din bumbac standard la 60°C și 40°C la capacitate maximă și parțială. Consumul real de apă va depinde de modul în care este utilizat aparatul.

⁴⁾ Pentru programul de spălare rufe standard la 60 °C la încărcare maximă și parțială sau la 40°C la încărcare parțială, oricare dintre acestea este mai scăzut.

⁵⁾ S-a obținut pentru programul de spălare rufe din bumbac standard la 60 °C la încărcare maximă și parțială sau la 40°C la încărcare parțială, oricare dintre acestea este mai ridicat.

⁶⁾ Pe baza fazelor de spălare și centrifugare pentru programul de spălare rufe din bumbac standard la 60 °C la încărcare maximă.

UA

Українська

EWSD 51051

Зміст

Встановлення, 62-63

Розпакування та вирівнювання
Підключення води й електроенергії
Перший цикл прання
Технічні дані

Чищення та догляд, 64

Відключення води й електричного живлення
Очищення пральної машини
Чищення касети для пральних засобів
Догляд за люком та барабаном
Чищення насосу
Контроль труби подачі води

Заходи безпеки та поради, 65

Загальна безпека
Утилізація

Опис пральної машини та запуску програм, 66-67

Панель керування
Індикаторні лампи
Як запустити програму

Програми, 68

Таблиця програм
Швидкі щоденні цикли

Налаштування під власні потреби, 69

Встановлення температури
Встановлення центрифуги
Опції

Пральні засоби та білизна, 70

Касета для пральних засобів
Підготовка білизни
Особливі речі
Система балансування завантаження

Несправності та засоби їх усунення, 71

Допомога, 72

Встановлення

UA

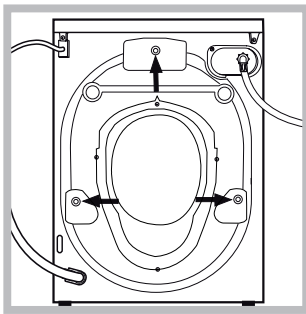
! Необхідно зберігати дану брошуру, щоб мати нагоду звернутися до неї у будь-який момент. У випадку продажу, передачі іншій особі або переїзду переконайтеся, що інструкція перебуває разом із пральною машиною й новий власник може ознайомитися з її принципами роботи й відповідними запобіжними заходами.

! Уважно вивчіть інструкцію: в ній міститься важлива інформація щодо встановлення, використання та безпеки.

Розпакування та вирівнювання

Розпакування

1. Розпакування пральної машини
2. Вдоскональтеся, що машина не зазнала ушкоджень під час транспортування. Якщо вона має пошкодження, не виконуйте ніяких підключень та негайно зверніться до постачальника.



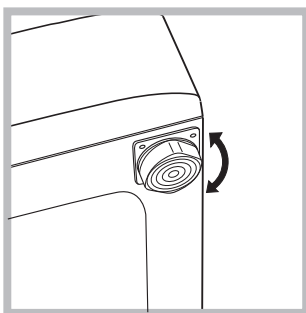
3. Видаліть 3 запобіжні гвинти для транспортування та прокладку з відповідною розпірною деталлю, які знаходяться позаду (див. малюнок).

4. Закрийте отвори пластиковими заглушками з комплекту постачання.
5. Збережіть усі деталі: якщо пральна машина має перевозитися, їх потрібно встановити знову.

! Забороняйте дітям гратися з упаковками.

Вирівнювання

1. Встановіть пральну машину на рівній та твердій підлозі, не притуляючи її до стін, меблів, тощо.

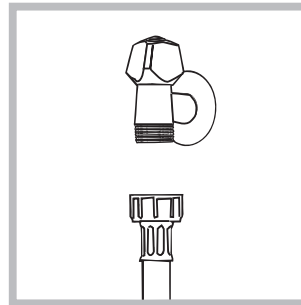


2. Якщо підлога не є ідеально горизонтальною, компенсуйте нерівності за допомогою передніх ніжок (див. малюнок) – розкручуючи чи закручуючи їх; кут нахилу відносно робочої поверхні не повинен перевищувати 2°.

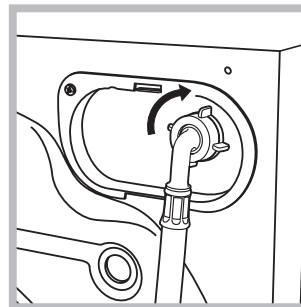
Належне вирівнювання надає стабільність машині та запобігає вібрації, шуму та пересуванню під час роботи. При встановленні машини на килимовому покритті або килимі відрегулюйте ніжки таким чином, щоб залишити під пральною машиною достатній простір для вентиляції.

Підключення води й електроенергії

Під'єднання труби подачі води



1. Підключити живлячий трубопровід, прикрутивши його до крану холодної води за допомогою штуцера з газовою різьбою 3/4 (див. малюнок). Перед підключенням спустіть воду, доки вона не стане прозорою.



2. Підключіть трубу подачі води до пральної машини, прикрутивши її до роз'єму для води, який знаходиться угорі праворуч на задньому боці машини (див. малюнок).

3. Зверніть увагу, щоб труба не мала згинів та утисків.

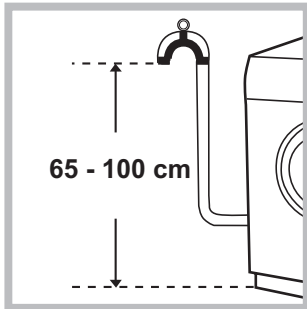
! Тиск води в крані має відповідати значенням у таблиці Технічних даних (див. сторінку поруч).

! Якщо довжини труби подачі води не вистачає, зверніться у спеціалізовану крамницю або до уповноваженого фахівця.

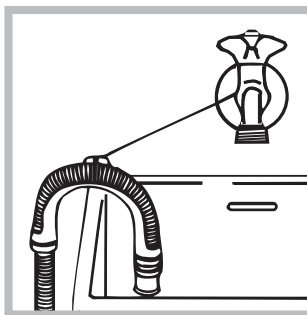
! Не використовуйте ніколи труби, що вже були у користуванні.

! Використовуйте труби з комплекту постачання до машини.

Підключення зливного шланга



Підключіть зливний шланг, не згинаючи його, до каналізаційного каналу або до входу до такого каналу на стіні, на відстані від 65 до 100 см від підлоги;



або покладіть його на край вмивальника або ванни, поєднавши направляючу, яка входить до комплекту постачання, до крану (див. малюнок). Не залишайте вільний кінець зливного

шланга зануреним у воду.

! Використання подовжувача шланга не рекомендоване. В разі необхідності використання подовжувача шлангу, переконайтеся у тому, що він має той самий діаметр та його довжина не перевищує 150 см.

Електричні підключення

Перш ніж вставити вилку в електричну розетку, переконайтеся, що:

- розетка має заземлення у відповідності до встановлених норм;
- розетка розрахована на максимальне навантаження у межах потужності машини, зазначене у таблиці Технічних даних (див. малюнок поруч);
- напруга живлення перебуває у межах, зазначених у таблиці Технічних даних (див. малюнок поруч);
- розетка підходить до вилки пральної машини. В іншому випадку замініть розетку або вилку.

! Машину не можна встановлювати поза приміщенням, навіть в захищених місцях, тому що дуже небезпечно піддавати її впливу дощу і грози.

! Коли машину вже встановлено, забезпечте вільний доступ до електричної розетки.

! Не використовуйте подовжувачі й трійники.

! Шнур живлення не повинен мати згинів або утисків.

! Проводити заміну шнура живлення можуть тільки вповноважені фахівці.

Увага! Компанія знімає з себе відповідальність за умови недотримання вказаних норм.

Перший цикл прання

Після встановлення та перш ніж розпочати використання машини, виконайте цикл прання з пральним засобом але не завантажуючи білизну, встановивши програму 2.

Технічні дані	
Модель	EWSD 51051
Розміри	ширина 59,5 см висота 85 см глибина 42,4 см
Кількість білизни	від 1 до 5 кг
Електричні підключення	див. шильдік з технічними даними на машині
Водопровідні підключення	максимальний тиск 1 мПа (10 бар) мінімальний тиск 0,05 мПа (0,5 бар) об'єм баку – 40 літри
Швидкість центрифуги	до 1000 обертів на хвилину
Програми контролю згідно з нормою 1061/2010 1015/2010	програма 15; Еко Бавовна 60°C. програма 15; Еко Бавовна 40°C
	Цей прилад відповідає таким європейським директивам: - 2004/108/CE (Електромагнітна сумісність) - 2012/19/EU - WEEE - 2006/95/CE (Низька напруга)
	

Догляд та очищення

UA

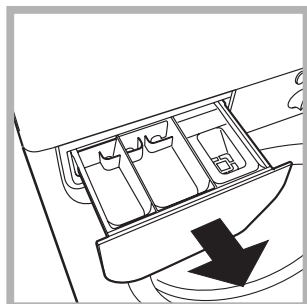
Відключення води й електричного живлення

- Закривайте водопровідний кран після кожного прання. У такий спосіб зменшується знос гідравлічної частини машини й усувається небезпека протікання.
- Виймайте штепсель з розетки під час миття машини та під час робіт з технічного обслуговування.

Очищення пральної машини

Зовнішня частина і гумові деталі можуть митися тканиною, змоченою у теплій воді й милі. Не використовуйте розчинники або абразивні засоби.

Чищення касети для пральних засобів



Вийміть касету, піднявши її та витягнувши назовні (див. малюнок). Промийте її під проточною водою; ця процедура має проводитися регулярно.

Догляд за люком та барабаном

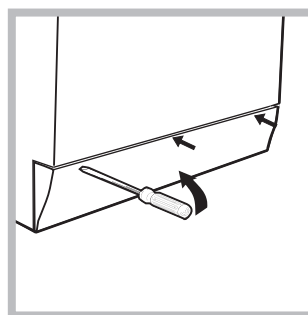
- Завжди залишайте люк напіввідкритим для запобігання утворенню неприємних запахів.

Чищення насоса

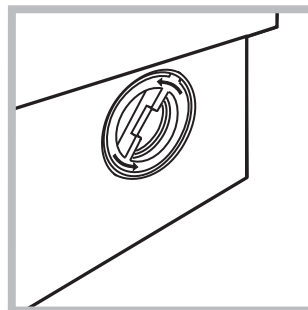
Пральну машину обладнано насосом, який здатний сам очищатися та не вимагає технічного обслуговування. Може трапитися так, що дрібні речі (монети, ґудзики) потраплять до попередньої камери, яка захищає насос та розташована в його нижній частині.

! Переконайтеся у тому, що цикл прання закінчено, і витягніть штепсель з розетки.

Як дістатися до попередньої камери:



1. зніміть зовнішню панель на передньому боці пральної машини за допомогою викрутки (див. малюнок);



2. розвентіть кришку, обертаючи її проти годинникової стрілки (див. малюнок): витікання незначної кількості води є нормальним;

3. акуратно очистіть всередині;
4. знову накрутіть кришку;
5. встановіть панель на місце, пересвідчіться у тому, що гачки були вставлені у відповідні петлі, після чого притисніть її до машини.

Контроль труби подачі води

Перевіряйте трубу подачі води не менше одного разу на рік. Якщо на ній є тріщини та щілини, вона підлягає заміні: під час прання сильний тиск може викликати непередбачені розриви.

! Ніколи не використовуйте уживані труби.

! Машину була спроектовано і вироблено у відповідності з міжнародними нормами безпеки. Це попередження надаються задля вашої безпеки, і тому їх треба уважно прочитати.

Загальна безпека

- Даний прилад спроектований виключно для побутового використання.
- **Дозволяється користування цим приладом дітьми віком від 8 років, а також особами з обмеженими фізичними, сенсорними або розумовими можливостями або особами без належного досвіду і знань, якщо вони перебувають під постійним контролем або проінструктовані щодо правил з небезпечного використання приладу і усвідомлюють ступені ризику. Не дозволяйте дітям гратися з приладом. Операції з очищення і догляду не повинні виконуватися дітьми без належного контролю.**
- Машина має використовуватися тільки дорослими особами і згідно з інструкціями, наведеними у даній брошурі.
- Не торкайтеся до машини голими ногами або мокрими чи вологими руками й ногами.
- Не виймайте штепсель з електричної розетки, витягуючи його за шнур, тримайтеся тільки за самий штепсель.
- Не відкривайте касету з пральними засобами під час роботи машини.
- Не торкайтеся води, що зливається, вона може мати підвищену температуру.
- У жодному випадку не докладайте надмірних зусиль до люку: це може ушкодити запобіжний механізм проти випадкових відкривань.
- Якщо машина не працює у разі поломки, у жодному випадку не робіть спроб самостійно виконати ремонт внутрішніх механізмів.
- Завжди слідкуйте, щоб діти не наближалися до працюючої машини.
- Під час прання люк нагріватиметься.
- Пересування машини має здійснюватися двома або трьома особами за умови надзвичайної обережності. Ніколи не переміщуйте машину самотужки, тому що вона дуже важка.
- Перш ніж завантажити білизну, перевірте, щоб барабан був порожній.

Утилізація

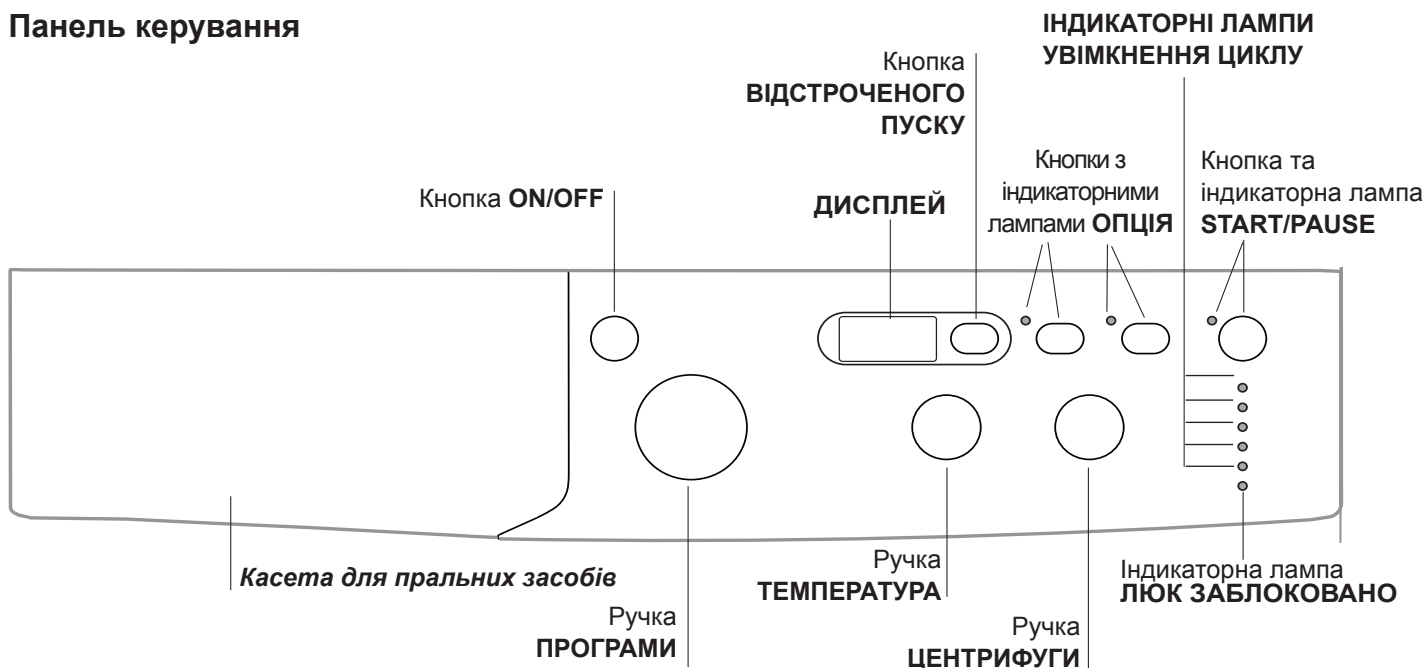
- Утилізація пакувального матеріалу: додержуйте місцевих норм, так як пакування може бути використане повторно.

- Європейська директива 2012/19/EU - WEEE з відходів електричної й електронної апаратури передбачає, що побутові електроприлади не можуть перероблятися у звичайному порядку для твердих міських відходів. Відпрацьовані побутові прилади мають збиратися окремо для оптимізації відновлення та рециклу матеріалів, що входять до їхнього складу, та з метою усунення потенційної шкоди для здоров'я та довкілля. Символ перекресленого кошика, зображений на всіх виробках, нагадує про необхідність окремої утилізації. Для подальшої інформації щодо правильної утилізації побутової техніки, їхні власники можуть звернутися до відповідних міських служб або до постачальника.

Опис пральної машини та процедури із запуску програм

UA

Панель керування



Касета з пральним засобом: для завантаження пральних засобів та засобів догляду (див. “Пральні засоби та білизна”).

Кнопка ON/OFF: для увімкнення й вимкнення пральної машини


Ручка ПРОГРАМИ: для задання бажаних програм. Під час програми ручка залишається нерухомою.

Кнопки та індикаторні лампи ОПЦІЯ: для вибору наявних опцій. Індикаторна лампа обраної опції залишається увімкненою.

Ручка ЦЕНТРИФУГИ: для установки центрифуги або для вимкнення її (див. “Налаштування під власні потреби”).

Ручка ТЕМПЕРАТУРА: для установки температури або холодного прання (див. “Налаштування під власні потреби”).

ДИСПЛЕЙ: для відображення тривалості різних наявних програм та при розпочатому циклі – для відображення часу, який залишився до завершення цього циклу; якщо встановлено ВІДСТРОЧЕНИЙ ПУСК, відображається час, якого бракує до початку роботи вибраної програми.

Кнопка ВІДКЛАДЕНИЙ ЗАПУСК : натискання викликає відкладений запуск вибраної програми; значення відстрочення відображається на дисплеї.

ІНДИКАТОРНІ ЛАМПИ УВІМКНЕННЯ ЦИКЛУ: для спостереження за станом програми прання. Увімкнена індикаторна лампа вказує на активовану фазу.

Індикаторна лампа ЛЮК ЗАБЛОКОВАНО: для перевірки того, чи люк може відкриватись (див. сторінку поруч).

Кнопка та індикаторна лампа START/PAUSE: для запуску програм або для їх тимчасового переривання. **Увага:** щоб установити в режим паузи поточне прання, натисніть на цю кнопку, відповідна кнопка почне блимати помаранчевим кольором, в той час як індикаторна лампа поточної фази світлитиметься постійним світлом. Якщо індикаторна лампа ЛЮК ЗАБЛОКОВАНО  згасне, можна відкривати люк для завантаження білизни (Приблизно через 3 хвилини). Щоб продовжити прання з місця, де воно було перервано, знову натисніть на цю кнопку.

Режим очікування





Відповідно до норм, пов'язаних з заощадження енергії, цю пральну машину оснащено системою автовимкнення (stand by), яка активується через декілька (30) секунд відсутності роботи з боку машини. Швидко натисніть кнопку ON/OFF та зачекайте відновлення роботи машини.

Індикаторні лампи

Індикаторні лампи надають важливу інформацію. От на що вони вказують:

Індикаторні лампи поточних операцій

Після обрання та запуску бажаного циклу прання індикаторні лампи вмикаються по черзі, щоб вказати на стан програми:

Прання	● 
Полоскання	● 
Віджим	● 
Злив	● 
Кінець прання	● END

Кнопки опцій та відповідні індикаторні лампи

Після вибору опції відповідна індикаторна лампа починає світитися.


Якщо вибрана опція несумісна з заданою програмою, індикаторна лампа почне блимати й опція не активується.

Якщо вибрана опція не є сумісною з іншою, раніше вибраною, індикаторна лампа попередньої функції почне блимати, при цьому буде активовано тільки останню опцію, засвітиться індикаторна лампа активованої опції.

Індикаторна лампа ЛЮК ЗАБЛОКОВАНО

Увімкнена індикаторна лампа вказує на те, що люк заблокований; відкривати люк можна лише коли ця лампа не світиться (Приблизно через 3 хвилини). Щоб відкрити люк під час виконання циклу, натисніть кнопку START/PAUSE; якщо індикаторна лампа ЛЮК ЗАБЛОКОВАНО згасла, це означає, що можна відкрити люк.

Як запустити програму

1. Увімкніть пральну машину, натиснувши на кнопку ON/OFF. Усі індикаторні лампи увімкнуться на декілька секунд, потім згаснуть та почне блимати індикаторна лампа START/PAUSE
2. Завантажте білизну й закрийте люк.
3. Встановіть за допомогою ручки ПРОГРАМ бажану програму.
4. Встановіть температуру прання (див. "Налаштування під власні потреби").
5. Встановіть швидкість центрифуги (див. "Налаштування під власні потреби").
6. Додайте пральні засоби та засоби догляду (див. "Пральні засоби та білизна").
7. Виберіть бажані опції.
8. Запустіть програму, натиснувши кнопку START/PAUSE й відповідна індикаторна лампа загориться зеленим світлом. Для скасування заданого циклу встановіть машину в режим паузи, натиснувши кнопку START/PAUSE, та оберіть новий цикл.
9. Наприкінці програми почне світитися індикаторна лампа "END". Якщо індикаторна лампа ЛЮК ЗАБЛОКОВАНО  згасне, можна відкривати люк для завантаження білизни (Приблизно через 3 хвилини). Вийміть білизну та залиште люк напіввідкритим, щоб висушити барабан. Вимкніть пральну машину, натиснувши на кнопку ON/OFF.

Програми

UA

Таблиця програм

Програми	Опис програми	Макс. темп. (°C)	Макс. швидкість (обертів за хвилину)	Пральний засіб			Макс. завантаження (кг)	Остаточна вологість (%)	Споживання електроенергії (кВт/год)	Загальна кількість води (л)	Тривалість циклу
				Попереднє прання	Прання	Пом'якшувач					
EVERYDAY FAST											
1	Змішані Кольорові 59 хв.	40°	1000	-	●	●	5	-	-	-	59'
2	Бавовна 59 хв.	60°	1000	-	●	●	5	-	-	-	59'
3	Бавовна 45 хв.	40°	1000	-	●	●	2,5	-	-	-	45'
4	Синтетичні 59 хв. (3)	40° (Max. 60°)	1000	-	●	●	3	44	0.72	36	59'
5	Mix 30 хв.	30°	800	-	●	●	3	71	0.16	27	30'
6	Express 20 хв.	20°	800	-	●	●	1,5	-	-	-	20'
Special & Partial											
7	Спортивний одяг	40°	600	-	●	●	2,5	-	-	-	**
8	Спортивне взуття	30°	600	-	●	●	Макс 1 пари	-	-	-	**
9	Дитина	40°	800	-	●	●	2	-	-	-	**
10	Полоскання	-	1000	-	-	●	5	-	-	-	**
11	Віджимання + Зливання	-	1000	-	-	-	5	-	-	-	**
11	Тільки Злив *	-	⊘	-	-	-	5	-	-	-	**
Dedicated											
12	Пухо-пір'яні вироби: для пухо-пір'яних вироб.	30°	1000	-	●	●	1	-	-	-	**
13	Вовна: Для вовни, кашеміру, тощо.	40°	800	-	●	●	1	-	-	-	**
14	Шовк/Штори: Для речей з шовку, віскози, нижньої білизни.	30°	0	-	●	●	1	-	-	-	**
15	Еко Бавовна 60° (1): білі та кольорові міцні сильно забруднені.	60°	1000	-	●	●	5	62	0,92	47,5	220'
15	Еко Бавовна 40° (2): білі та кольорові делікатні слабо забруднені.	40°	1000	-	●	●	5	62	0,66	66	215'
16	Бавовна з попереднім пранням: білі надзвичайно забруднені.	90°	1000	●	●	●	5	-	-	-	**

* Якщо обрати програму 11 і виключити з роботи центрифугу (віджимання), машина виконає лише злив води.

** Тривалість програми прання на відображено на дисплеї.

Тривалість циклу, вказана на дисплеї або в керівництві, розрахована на основі стандартних умов роботи. Фактичний час може залежати від чисельних факторів, таких як температура і тиск подаваної води, температура у приміщенні, кількість миючого засобу, кількість і тип завантаженої білизни, зрівноваження завантаженої білизни, додаткові обрані опції.

1) Програма керування згідно до норми 1061/2010: встановити програму 15 з температурою 60°C.

Цей цикл призначений для прання бавовняних речей із звичайним ступенем забруднення. Ефективність циклу підвищується завдяки комбінованому споживанню енергії та води. Він має використовуватися для речей, які придатні для прання при температурі 60°C. Фактична температура прання може дещо відрізнятись від заявленої.

2) Довга програма бавовна: встановити програму 15 з температурою 40°C.

Цей цикл призначений для прання бавовняних речей із звичайним ступенем забруднення. Ефективність циклу підвищується завдяки комбінованому споживанню енергії та води. Він має використовуватися для речей, які придатні для прання при температурі 40°C. Фактична температура прання може дещо відрізнятись від заявленої.

Для всіх Установ з проведення випробувань:

2) Програма тривалого прання речей з бавовни: встановити програму 15 з температурою 40°C.

3) Тривала програма для синтетичних речей: завдати програмі 4, потім обрати опцію "Extra Wash" .

Швидкі щоденні цикли

Повний набір швидких програм для прання, також при повному завантаженні, речі зі звичайних тканин, та усунення частих щоденних забруднень менш ніж за 1 годину.

Змішані Кольорові 59 хв.: для прання змішаних і кольорових речей разом.

Бавовна 59 хв.: цикл призначений для прання бавовняних речей, головним чином білих. В цьому циклі можна використовувати порошковий пральний засіб.

Бавовна 45 хв.: короткочасний цикл призначений для прання делікатних бавовняних речей.

Синтетичні 59 хв.: спеціальний цикл для прання синтетичних речей. В разі наявності стійких забруднень можна збільшити температуру до 60° і використовувати пральний порошковий засіб.

Mix 30 хв.: короткочасний цикл призначений для змішаного завантаження речей з бавовни і синтетики, білих і кольорових разом.

Express 20 хв.: програма для освіжування речей і надання їм аромату випраних лише за 20 хвилин.

Встановлення температури

Обертаючи ручку ТЕМПЕРАТУРИ, ви можете задати температуру прання (див. Таблицю програм).

Ви можете знижувати температуру аж до прання в холодній воді (❄).

Машина перешкоджатиме встановленню температури, яка перевищує максимально дозволена для кожної конкретної програми.

! Виключення: при виборі програми 4, температура може збільшитися до 60° градусів.

Встановлення центрифуги

Обертаючи ручку ЦЕНТРИФУГИ, ви можете задати швидкість центрифуги обраної програми.

Максимальні значення швидкості, передбачені для програм:

Програми	Максимальна швидкість
Бавовна	1000 обертів за хвилину
Синтетичні тканини	1000 обертів за хвилину
Вовна	800 обертів за хвилину
Шовк	тільки злив води

Швидкість центрифуги можна зменшити чи виключити взагалі; оберіть для цього позначку (⊘).

Машина автоматично перешкоджатиме віджиму, який перевищує максимально дозволена значення для кожної конкретної програми.

Опції

Різноманітні опції прання, передбачені у пральній машині, дозволяють отримати бажану чистоту та білизну ваших речей.

Для активації опцій:

- натисніть на кнопку бажаної опції;
- запалення відповідної індикаторної лампи вказує на те, що опцію активовано.

Примітка:

- Якщо вибрана опція несумісна з заданою програмою, індикаторна лампа почне блимати й опція не активується.
- Якщо вибрана опція не є сумісною з іншою, раніше вибраною, індикаторна лампа попередньої функції почне блимати, при цьому буде активовано тільки останню опцію, засвітиться індикаторна лампа активованої опції.

Відстрочений пуск

Для встановлення відстроченого пуску обраної програми натискайте на відповідну кнопку, доки не з'явиться потрібний час відстрочки. Коли ця опція активна, на дисплеї горить позначка . Щоб вимкнути відкладений пуск, натисніть кнопку , аж поки на дисплеї не з'явиться напис "OFF".

Extra Wash [★]

Для дуже забруднених речей можна активувати опцію Extra Wash [★], там де вона передбачена. Якщо обрана така опція, цикл автоматично адаптує всі параметри прання і стає тривалішим. Ця опція не впливає на температуру, в той час як центрифуга налаштовується на максимальну кількість обертів. Користувач може завжди переналаштувати центрифугу на бажане значення.

Energy Saver [Ⓢ]

Опція Energy Saver [Ⓢ] дозволяє випрати бавовняні і синтетичні речі, заощаджуючи енергію і роблячи внесок в заощадження довкілля. Заощадження забезпечується пранням в холодному режимі за допомогою інтенсивних механічних дій і оптимізованого використання води з отримання бажаного результату. Рекомендується для злегка забруднених речей. Рекомендується вживання рідкого прального засобу.

Пральні засоби та білизна

UA

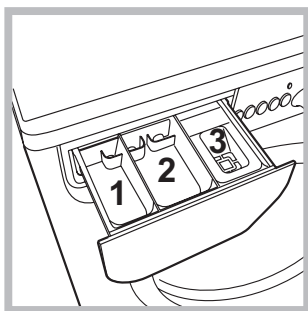
Касета з пральним засобом

Добрий результат прання залежить також від правильного дозування прального засобу: надлишок прального засобу приведе до неефективного прання та сприятиме утворенню накипу всередині пральної машини, а також забрудненню довілля.

! Використовуйте порошкові пральні засоби для білих бавовняних речей, а також для попереднього прання або прання при температурі вище 60°C.

! Слідуйте вказівкам на упаковках пральних засобів.

! Не використовуйте засоби для ручного прання, тому що вони утворюють надто багато піни.



Витягніть касету для пральних засобів та додайте пральні засоби або засоби з догляду, як вказано нижче.

ванночка 1: Засіб для попереднього прання (порошковий)

ванночка 2: Засіб для прання (порошковий чи рідкий)

Рідкий пральний засіб наливайте безпосередньо перед запуском машини.

ванночка 3: Засоби з догляду (пом'якшувач, тощо)

Пом'якшувач не має витікати з решітки.

Зауваження: В разі використання "прального засобу у таблетках" рекомендується завжди дотримуватися інструкцій від виробника.

Підготовка білизни

- Розділіть білизна, враховуючи: тип тканини / позначку на етикетці. кольори: відокремте кольорові речі від білих.
- Перевірте кишені й ґудзики.
- Не перевищуйте значення, вказані у "Таблиця програм", що відносяться до ваги сухої білизни.

Скільки важить білизна?

- 1 простирadlo 400-500 г
- 1 наволочка 150-200 г
- 1 скатертина 400-500 г
- 1 махровий халат 900-1200 г
- 1 рушник 150-250 г

Особливі речі

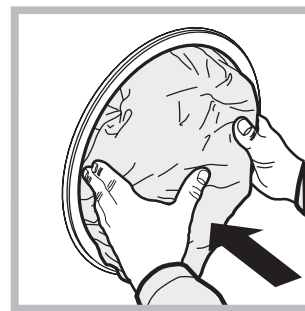
Спортивний одяг: цикл призначений для прання спортивного одягу, в тому числі рушників зі спорт-залів, зі збереженням волокон (необхідно дотримуватися інструкцій, наведених на етикетках речей).


Спортивне взуття: цикл для повністю безпечного прання до 1 пар спортивного взуття разом.

Рекомендується зашнурувати шнурки, перш ніж завантажувати взуття в барабан.

Дитина: цикл призначений для дитячих речей з типовими забрудненнями з ефективним усуненням слідів прального засобу.

Пухо-пір'яні вироби: для прання виробів із наповненням з гусячого пуху, таких як одинарні ковдри (які не перевищують за вагою 1 кг), подушки, куртки, використовуйте спеціальну програму **12** Пухо-пір'яні вироби. Такі вироби рекомендується завантажити у барабан у згорнутому вигляді з краями, загорнутими всередину (див. малюнок), при цьому не перевищуйте $\frac{3}{4}$ об'єму самого барабану. Для оптимального прання рекомендується використовувати рідкий засіб, який необхідно налити у касету для пральних засобів.



Вовна: за допомогою програми **13** можна прати у пральній машині всі вироби із вовни, навіть ті, що мають ярлик "тільки ручне прання" . Щоб отримати кращі результати, використовуйте спеціальний пральний засіб та не перевищуйте завантаження в 1 кг.

Шовк: використовуйте спеціальну програму **14** для прання шовкових речей. Рекомендується використання спеціального прального засобу для делікатних виробів.

Штори: рекомендується скласти й покласти у наволочку або мішечок з сітки. Скористайтеся програмою **14**.

Система балансування завантаження

До кожного віджиму у центрифугі, для запобігання надмірній вібрації та для рівномірного розподілу завантаження, барабан здійснює оберти на дещо більшій швидкості, ніж швидкість прання. Якщо по закінченні декількох спроб завантажені речі ще не були правильно відбалансовані, запустить центрифугу на швидкості, меншій за передбачену. У випадку надмірної незбалансованості пральна машина здійснює розподіл замість віджиму. З метою оптимального розподілу завантаження та його правильного балансування рекомендується одночасне прання великих і малих речей.

Несправності та засоби їх усунення

Може так статися, що пральна машина не працюватиме. Перш ніж зателефонувати до служби Допомоги (див. “Допомога”), перевірте можливість легкого усунення проблеми за допомогою наступного списку.

Несправності:

Пральна машина не вмикається.

Можливі причини/Рішення:

- Штепсель не вставлений в електричну розетку або вставлений не до кінця.
- У будинку немає електроенергії.

Цикл прання не розпочинається.

- Люк погано закрито.
- Кнопку ON/OFF не було натиснуто.
- Кнопку START/PAUSE не було натиснуто.
- Водопровідний кран закритий.
- Якщо відстрочення задане на час запуску (ВІДСТРОЧЕНИЙ ПУСК див. “Налаштування під власні потреби”).

В пральну машину не потрапляє вода (на дисплеї з’являється позначка “H2O”, що блимає).

- Трубу подачі води не під’єднано до водопровідного крану.
- Перегин у трубі.
- Водопровідний кран закритий.
- У водопроводі немає води.
- Недостатній тиск.
- Кнопку START/PAUSE не було натиснуто.

Пральна машина безперервно завантажує та зливає воду.

- Зливний шланг не знаходиться на відстані від 65 до 100 см від підлоги (див. “Встановлення”).
- Кінець зливного шланга занурений у воду (див. “Встановлення”).
- Стінний каналізаційний злив не має віддушини для виходу повітря (вантуза). Якщо після таких перевірок проблема залишається, закрийте водопровідний кран, вимкніть машину і зателефонуйте до служби Допомоги. Якщо квартира знаходиться на верхніх поверхах будинку, можливо, відбувається сифонний ефект, при якому машина безперервно завантажує й зливає воду. Щоб його ліквідувати, існують спеціальні антисифонні клапани, які можна придбати у торговельній мережі.

Пральна машина не зливає воду або не вмикає центрифугу.

- Програма не передбачає зливання води: у деяких програмах це потрібно зробити вручну.
- Перегин зливного шланга (див. “Встановлення”).
- Засмітився зливний шланг.

Пральна машина дуже вібрує під час роботи центрифуги.

- Барабан, у момент встановлення, не був правильно розблокований (див. “Встановлення”).
- Машина стоїть не на рівній поверхні (див. “Встановлення”).
- Машину затиснуто між меблями і стіною (див. “Встановлення”).

З пральної машини витікає вода.

- Погано пригвинчено трубу подачі води (див. “Встановлення”).
- Забруднена касета для пральних засобів (як вимити див. “Догляд та очищення”).
- Погано закріплений зливний шланг (див. “Встановлення”).

Світлодіоди “опцій” та “START/PAUSE” блимають, один зі світлодіодів “поточної фази” та “ЛЮК ЗАБЛОКОВАНО” світитиметься постійно.

- Вимкніть машину й витягніть штепсель з розетки, зачекайте близько 1 хвилини й увімкніть її повторно. Якщо несправність не усунена, зателефонуйте до служби Допомоги.

Утворюється занадто багато піни.

- Пральний засіб не підходить до пральної машини (повинен мати напис “для машинного прання”, “для ручного та машинного прання” або подібні).
- Перевищена доза прального засобу.

Перш ніж звернутися по Допомогу:

- Перевірте, чи можна самостійно вирішити проблему (див. "Несправності і засоби їх усунення").
- Перезапустіть програму, щоб перевірити, чи усунуто несправність;
- У протилежному випадку, зверніться до авторизованої служби технічної Допомоги за телефонним номером, вказаним на гарантійному сертифікаті.

! Звертайтеся виключно до уповноважених фахівців.

Треба повідомити:

- тип несправності;
- модель машини (Мод.);
- серійний номер (S/N).

Цю інформацію ви знайдете на шильдику на задній стороні пральної машини та на передній стороні, якщо відкрити люк.

COMMISSION DELEGATED REGULATION (EU) No 1061/2010	
Торговельна марка	INDESIT
Модель	EWSD 51051 W EU
Номинальна завантаженість для стандартної програми прання бавовни, кг	5
Клас енергоефективності	A+
Середньозважений річний обсяг енергоспоживання, кВт/г на рік ¹⁾	166
Обсяг споживання електроенергії при стандартній програмі "Бавовна 60°C" при повному завантаженні, кВт ²⁾	0.92
Обсяг споживання електроенергії при стандартній програмі "Бавовна 60°C" при частковому завантаженні, кВт ²⁾	0.635
Обсяг споживання електроенергії при стандартній програмі "Бавовна 40°C" при частковому завантаженні, кВт ²⁾	0.54
Середньозважена споживча потужність в режимі "вимкнено", Вт	0.5
Середньозважена споживча потужність в режимі очікування, Вт	8
Середньозважений річний обсяг споживання води, літрів на рік ³⁾	7550
клас ефективності віджимання за шкалою від G (найменш ефективний) до A (найбільш ефективний)	C
Максимальна швидкість обертів барабана ⁴⁾	1000
Залишковий вміст вологи ⁵⁾	62.0%
Час виконання стандартної програми "Бавовна 60°C" при повному завантаженні, хвилин	220
Час виконання стандартної програми "Бавовна 60°C" при частковому завантаженні, хвилин	165
Час виконання стандартної програми "Бавовна 40°C" при частковому завантаженні, хвилин	160
Тривалість режиму очікування, хвилин	30
Рівень акустичного поширення шуму в повітрі під час прання, 1 пВт, дБА ⁶⁾	60
Рівень акустичного поширення шуму в повітрі під час віджимання, 1 пВт, дБА ⁶⁾	80
Вбудовані моделі	

¹⁾ З урахуванням 220 стандартних циклів прання для програми прання бавовни при температурі 60 і 40° С при повному та частковому завантаженні (фактичне споживання води залежить від використання побутової пральної машини)

²⁾ Стандартні цикли прання " Бавовна 60°C" при повному або частковому завантаженні, та стандартний цикл прання " Бавовна 40°C" при частковому завантаженні є стандартними програмами прання, яких стосується інформація на етикетці. Стандартна програма прання бавовни при температурі 60 і 40° С є програмою для прання, очищення звичайно забрудненої бавовни і найбільш ефективною для споживання енергії та води. Часткове завантаження становить половину номінального завантаження.

³⁾ З урахуванням 220 стандартних циклів прання для програми прання бавовни при температурі 60 і 40° С при повному та частковому завантаженні (фактичне споживання води залежить від використання побутової пральної машини).

⁴⁾ визначається як мінімальна у результаті порівняння швидкості обертів барабана під час прання при температурі 60°C при повному завантаженні та температурі 40°C при частковому завантаженні;

⁵⁾ визначається як максимальний у результаті порівняння залишкового вмісту вологи під час прання при температурі 60° С при повному завантаженні та температурі 40° С при частковому завантаженні

⁶⁾ На підставі прання та віджимання для стандартного цикла "Бавовна 60°C" при повному завантаженні.

Üretici Firma:

Indesit Company Beyaz Eşya PAZARLAMA A.Ş.

Balmumcu Cad. Karahasan Sok.

No: 11, 34349– Balmumcu Beşiktaş – İstanbul

Tel: (0212) 355 53 00