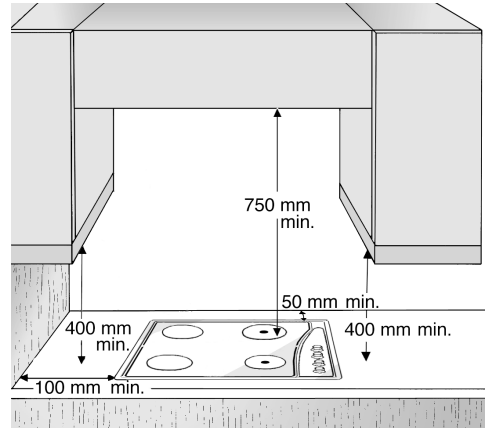
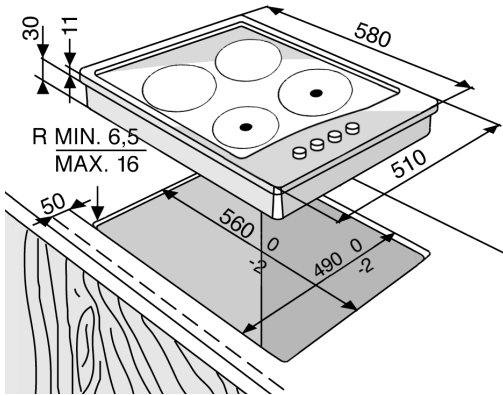


1. Rapid hotplate Ø 180 - 2000 W
2. Normal hotplate Ø 145 - 1000 W
3. Normal hotplate Ø 180 - 1500 W
4. Rapid hotplate Ø 145 - 1500 W
5. Rapid hotplate control knob Ø 180
6. Normal hotplate control knob Ø 145
7. Normal hotplate control knob Ø 180
8. Rapid hotplate control knob Ø 145
9. Hotplate operation control lamp ~

### Operation of electric hotplates

- Set the knob to one of position 1-6, which correspond to different temperatures.
- To switch off the hotplate, set the knob to position "0".

# DIMENSIONS OF COOKTOP AND WORKTOP



**N.B.:** In case of installation of a hood above the cooktop, please refer to the hood instructions for the correct distance.

SUPPLY VOLTAGE	CONDUCTORS: NUMBER AND SIZE	ELECTRICAL CONNECTION									
230V ~ + ⊕	3 x 2.5 mm <sup>2</sup>	<table style="border: none;"> <tr> <td>1</td> <td>2</td> <td>3</td> </tr> <tr> <td>○</td> <td>○</td> <td>○</td> </tr> <tr> <td>L</td> <td>N</td> <td>⊕</td> </tr> </table>	1	2	3	○	○	○	L	N	⊕
1	2	3									
○	○	○									
L	N	⊕									
230V 3 ~ + ⊕	4 x 1.5 mm <sup>2</sup>	<table style="border: none;"> <tr> <td>1</td> <td>2</td> <td>3</td> </tr> <tr> <td>○</td> <td>○</td> <td>○</td> </tr> <tr> <td>L1</td> <td>L2</td> <td>L3</td> </tr> </table>	1	2	3	○	○	○	L1	L2	L3
1	2	3									
○	○	○									
L1	L2	L3									
400V 2N ~ + ⊕	4 x 1.5 mm <sup>2</sup>	<table style="border: none;"> <tr> <td>1</td> <td>2</td> <td>3</td> </tr> <tr> <td>○</td> <td>○</td> <td>○</td> </tr> <tr> <td>L1</td> <td>L2</td> <td>N</td> </tr> </table>	1	2	3	○	○	○	L1	L2	N
1	2	3									
○	○	○									
L1	L2	N									

**TYPE: PLETP 230V~ / 400V 2N ~ 50Hz 6.0kW**