

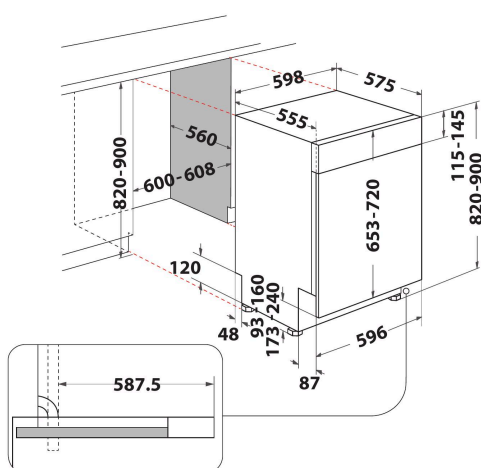
WBC 3C34 PF X

12NC: 859991614670

GTIN (EAN) code: 8003437615214

Whirlpool

SENSING THE DIFFERENCE



- Installation Type: Built-in
- Energy class A+++
- 14 place settings
- 6TH Sense Technology
- Noise level: 44 dB(A)
- 9.5 L per cycle (2660 L per year)
- PowerCleanPro
- PowerCleanPRO
- Third rack: Yes, fixed + handle plastic
- Autoclean filter
- Start delay 1-24 h
- Silent
- FlexiSpace
- Adjustable upper rack
- Multizone
- Tablet
- Prewash

Whirlpool semi integrated dishwasher: inox color, full size - WBC 3C34 PF X

This Whirlpool semi integrated Dishwasher features: inox color. Outstanding A+++ energy rating, for reduced energy consumption. Adjustable feet, for perfect stability on uneven floors and surfaces. Convenient digital countdown timer, to inform you when the washing cycle is complete. Innovative technology ensuring extra silent performance, for a very quiet appliance.



NaturalDry

The automatic door opening at the end of the program ensures better and more natural drying. This system guarantees higher energy efficiency and better drying results.



Multizone

Possibility to wash only one basket at a time by selecting it when you program your cycle.



Adjustable feet

Tailored for you. This Whirlpool Dishwasher includes adjustable feet, so you can effortlessly set the height of your appliance to fit your needs.



Third rack

All the space you need. Your Whirlpool Dishwasher provides a third rack: the ideal solution for additional loading capacity, so you'll never run out of space.



Silent

Silent performance. Your Whirlpool Dishwasher is designed to provide ideal washing results, while ensuring the lowest possible noise output.



6th Sense

No prewash required. technology provides perfect washing results with no pre-washing, soaking or scrubbing by hand, while effectively reducing water consumption and costs.



PowerClean Pro

Powerful water jets on the rear of the machine work to deliver supreme cleaning results on the toughest soil. The intelligent sensors detect the level of dirt and adapt the water pressure accordingly.



EcoFriendly

Extraordinary savings. 6th SENSE EcoFriendly technology features intelligent sensors to continuously monitor the wash cycle and detect the level of soiling, adjusting resources accordingly. Enjoy ideal cleaning results and save up to 50% energy, water and time.* (*Comparison between minimum and maximum consumption on the 6th SENSE programs.)

WBC 3C34 PF X

12NC: 859991614670

GTIN (EAN) code: 8003437615214

Whirlpool

SENSING THE DIFFERENCE

MAIN FEATURES

Construction type	Built-in
Installation type	Half-integrated
Type of control	Electronic
Type of control settings	-
Removable work top	No
Door decor panel	N/A
Main colour of product	Inox
Electrical connection rating (W)	1900
Current (A)	10
Voltage (V)	220-240
Frequency (Hz)	50
Length of Electrical Supply Cord (cm)	130
Plug type	Schuko
Length inlet hose (cm)	155
Length outlet hose (cm)	150
Adjustable plinth	No
Height of removable worktop (mm)	0
Adjustable feet	Yes - all from front
Height of the product	820
Width of the product	598
Depth of the product	555
Depth with open door 90 degree (mm)	-
Minimum niche height	820
Maximum niche height	900
Minimum niche width	600
Maximum niche width	600
Niche depth	560
Net weight (kg)	35.5
Gross weight (kg)	37.5

TECHNICAL FEATURES

Automatic programmes	Yes
Maximum temperature for water intake (°C)	60
Start delay options	Continuous
Start delay time max. (h)	24
Progress indicator	-
Digital countdown indicator	Yes
Salt light indicator	Yes
Rinse aid light indicator	Yes
Safety device	Yes
Adjustable upper basket	Yes
Largest loadable dish upper basket (cm)	0
Largest loadable dish lower basket (cm)	0
Number of place settings	14

PERFORMANCES

Energy efficiency class - NEW (2010/30/EU)	A+++
Energy consumption annual (kWh/annum) - NEW (2010/30/EU)	238
Duration of the left-on mode - NEW (2010/30/EU)	12
Power consumption in left-on mode - NEW (2010/30/EU)	6
Power consumption in off-mode - NEW (2010/30/EU)	0.5
Water consumption annual (l/annum) - NEW (2010/30/EU)	2660
Noise level (dB(A) re 1 pW)	44

The image shows the official energy label for the Whirlpool WBC 3C34 PF X dishwasher. At the top, it features the European Union flag and the 'ENERG' logo in multiple languages (English, Greek, and Italian). The Whirlpool logo and model number 'WBC 3C34 PF X' are prominently displayed. A central graphic shows a vertical scale of energy efficiency classes from A+++ (green) to D (red), with the A+++ class highlighted. To the right, a black arrow points to the A+++ class. Below this, the energy consumption is specified as 238 kWh/annum. At the bottom, four icons provide additional performance metrics: water consumption (2660 L/annum), detergent consumption (X 14), and noise level (44 dB). The label also includes the reference number 2010/1059.