

AKG 612 IX

12NC: 853561201000

GTIN (EAN) code: 8003437987823

Whirlpool

SENSING THE DIFFERENCE



Whirlpool built in electric oven: inox color - AKG 612 IX

This Whirlpool built in Oven features: advanced electric technology allowing you to cook dishes saving energy. Innovative Cook3 function, that allows you to cook up to three separate dishes at the same time, without the risk of aromas mixing.

Multifunction 8

Multiple cooking methods. The Multifunction 8 feature offers flexible cooking options, to ensure perfect results, whatever the recipe.

Cook3

No aroma mixing. With the innovative Cook3 function, you can cook up to three separate dishes at the same time, without the risk of aromas mixing.

Forced Air

Seal in the taste. Thanks to the Forced Air technology, preheated air is circulated inside your Oven using an innovative convection system, giving you moist, juicy cooking results.

Sliding shelves

Smooth motion. This Whirlpool oven features soft-sliding shelves, for increased ease of use.

Push push

The knobs' 'push push' design ensure extra comfortable ease of use and a premium look.

XXL cavity

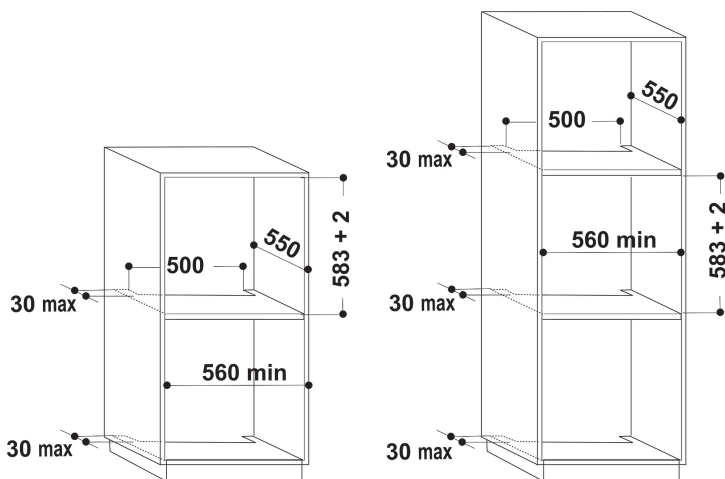
All the space you need. The XXL cavity in your oven has a capacity of 75 litres with 5 different shelf positions available.

Energy class

Outstanding energy savings. Ovens with an A/ A+ energy rating offer an excellent level of energy efficiency, ensuring lower consumption and saving you money on your energy bills.

Energy class A

Energy efficient. With its A energy rating, this Whirlpool appliance will allow you to enjoy both ideal performance and excellent energy consumption.



- Energy class A
- Cavity 89 L
- Cook3
- Defrost function
- Forced Air Fan Cooking
- Turbo Fan
- Grill
- Easy Clean Enamel Interior
- Turbo grill function
- Pastry function
- Conventional Cooking
- "Push Push" knobs
- Door Glasses Number: 2
- Protuding handle
- Child Lock
- Timer
- Grill 2850 W

AKG 612 IX

12NC: 853561201000

GTIN (EAN) code: 8003437987823

Whirlpool

SENSING THE DIFFERENCE

MAIN FEATURES

Product group	Oven
Commercial code	AKG 612 IX
Main colour of product	Inox
Construction type	Built-in
Type of control	Mechanical and electronic
Type of control settings	-
Are any hobs controls integrated?	No
Which kind of hobs can be controlled?	-
Automatic programmes	No
Current (A)	13
Voltage (V)	220-240
Frequency (Hz)	50/60
Length of Electrical Supply Cord (cm)	110
Plug type	No
Depth with open door 90 degree (mm)	-
Height of the product	477
Width of the product	893
Depth of the product	538
Minimum niche height	0
Minimum niche width	0
Niche depth	0
Net weight (kg)	51
Usable volume (of cavity)	75
Integrated Cleaning system	No
Grids of the cavity	2
Trays	1

TECHNICAL FEATURES

Timer	-
Time control	Electronic
Time-setting options	Start and Stop
Safety device	-
Interior light	Yes
Number of interior lights of the cavity	2
Position of interior lights of the cavity	Rear
Oven guides of the cavity	Grids
Probe of the cavity	No

PERFORMANCES

Energy input	Electric
Type of energy of the cavity	Electricity
Energy efficiency class - NEW (2010/30/EU)	A
Energy consumption per cycle conventional - NEW (2010/30/EU)	0.98
Energy consumption per cycle forced air convection - NEW (2010/30/EU)	0.82

ENERGIA Y UA IE 1A

WHIRLPOOL AKG 612 IX

89 L

0.98 kWh/cycle*

0.82 kWh/cycle*

* црна - циклус - portion - зыklus - npolynajama - ciclo - tsükkel - ohjelma - ciklus - cikls - ciklu - cyclus - cykl - ciclu - program - cykel

65/2014